



US00D745390S

(12) **United States Design Patent**
Glass et al.

(10) **Patent No.:** **US D745,390 S**

(45) **Date of Patent:** **** Dec. 15, 2015**

(54) **SLEEVE FOR HOLDING CANDY AND A STORED VALUE CARD**

(71) Applicant: **Gift Card Impressions, LLC**, Kansas City, MO (US)

(72) Inventors: **Brett R. Glass**, Kansas City, MO (US);
Nicole E. Glass, Kansas City, MO (US)

(73) Assignee: **Gift Card Impressions, LLC**, Kansas City, MO (US)

(**) Term: **14 Years**

(21) Appl. No.: **29/501,212**

(22) Filed: **Sep. 2, 2014**

(51) **LOC (10) Cl.** **09-03**

(52) **U.S. Cl.**
USPC **D9/423**

(58) **Field of Classification Search**
USPC D9/414, 416, 420, 422, 423, 432, 455,
D9/457, 701, 702, 713, 715, 722, 501;
206/232; 40/124.06, 654.01, 661.01,
40/642.02; D1/102, 120, 121; D3/326,
D3/227, 249, 218; D6/407
CPC B65D 5/2047; B65D 2517/0013;
B65D 85/00; B65D 75/38; B65D 5/4202;
B65D 85/1009; B65D 5/4225-5/4241; B65D
85/60; B65D 75/54; B65D 5/4233; B29L
2031/712; G09F 1/10

See application file for complete search history.

(56) **References Cited**

U.S. PATENT DOCUMENTS

5,096,058 A 3/1992 Juravin et al.
5,226,532 A * 7/1993 Davidson et al. 206/232
D351,619 S * 10/1994 Struhl D19/26
5,794,631 A 8/1998 Sylvester

6,070,719 A 6/2000 Pollock
6,457,649 B1 * 10/2002 Hileman 235/486
6,508,900 B1 * 1/2003 Kendall et al. 156/226
D594,323 S * 6/2009 Friedman et al. D9/423
D613,153 S * 4/2010 Russell D9/423
D619,454 S * 7/2010 Fluegel et al. D9/423
D624,401 S * 9/2010 Friedman et al. D9/423

(Continued)

Primary Examiner — Philip S Hyder

Assistant Examiner — Keith Frank

(74) *Attorney, Agent, or Firm* — Polsinelli PC

(57) **CLAIM**

The ornamental design for a sleeve for holding candy and a stored value card, as shown and described.

DESCRIPTION

FIG. 1 is a perspective view of a sleeve for holding candy and a stored value card according to an embodiment of the invention shown in a closed disposition;

FIG. 2 is a perspective view of the sleeve of FIG. 1 in an open disposition;

FIG. 3 is a front elevation view of the sleeve of FIG. 1;

FIG. 4 is a rear elevation view of the sleeve of FIG. 1;

FIG. 5 is a right elevation view of the sleeve of FIG. 1;

FIG. 6 is a left elevation view of the sleeve of FIG. 1;

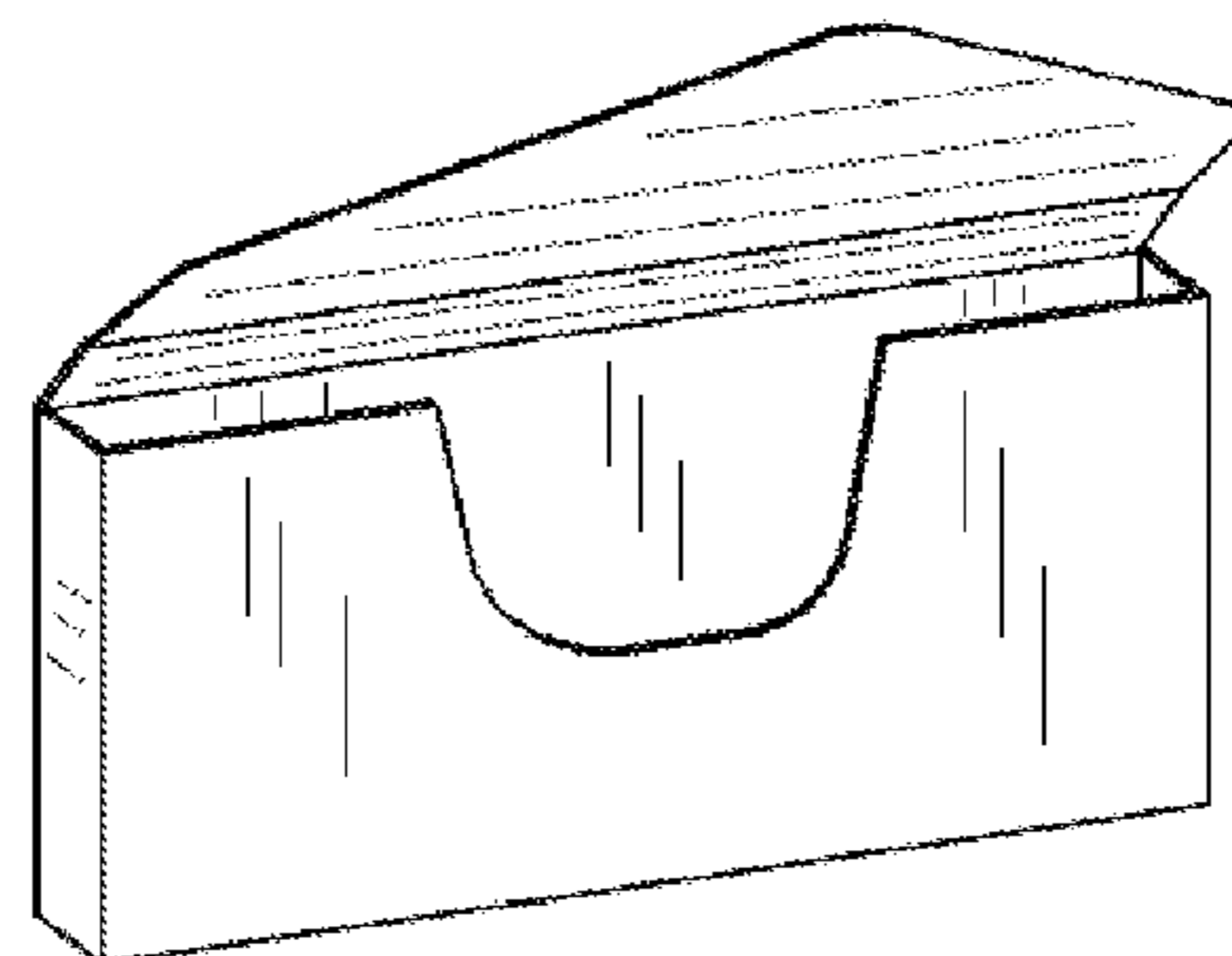
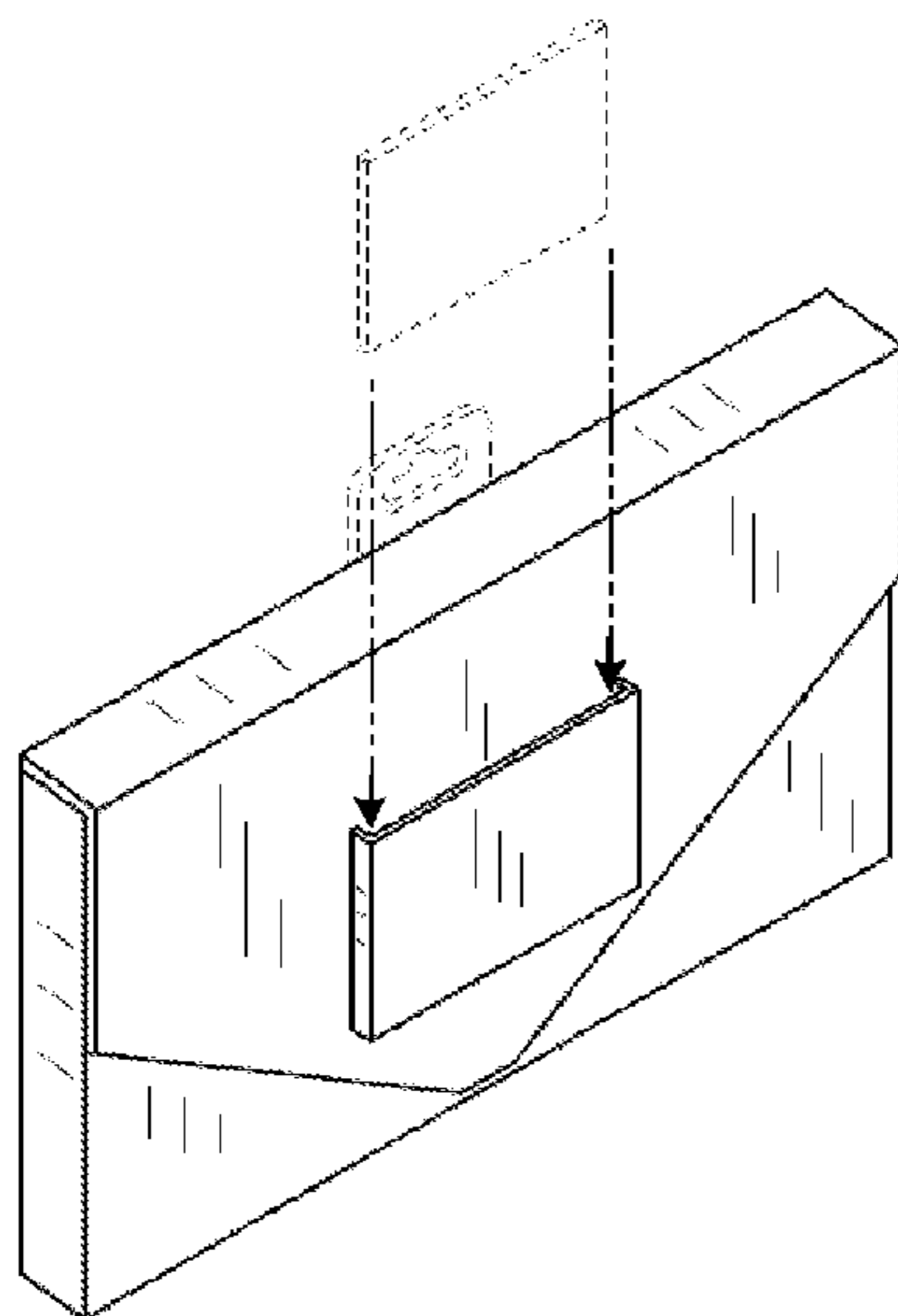
FIG. 7 is a top plan view of the sleeve of FIG. 1; and,

FIG. 8 is a bottom plan view of the sleeve of FIG. 1.

The broken short dash-short dash-long dash line (- - —) and arrows showing in FIG. 1 are included for the purpose of illustrating direction to insert the stored value card into a portion of the sleeve for holding candy and a stored value card.

The broken dashed lines (- - -) showing in FIGS. 1, and 3-8 are included for the purpose of illustrating portions of the sleeve for holding candy and a stored value card that form no part of the claimed design.

1 Claim, 2 Drawing Sheets



(56)

References Cited

U.S. PATENT DOCUMENTS

D644,100	S *	8/2011	Stacy-Ryan	D9/423	2005/0269233	A1 *	12/2005	Aldridge	206/472
D664,426	S *	7/2012	Cadieux et al.	D9/423	2005/0284787	A1 *	12/2005	Kopecky	206/460
D675,912	S *	2/2013	Hunter	D9/420	2006/0027483	A1 *	2/2006	Aldridge	206/738
D687,293	S *	8/2013	Glass et al.	D9/415	2006/0051457	A1 *	3/2006	Bougoulas et al.	426/5
2002/0143697	A1 *	10/2002	Gotfried	705/39	2008/0149524	A1 *	6/2008	Rademaker	206/542
2003/0226880	A1 *	12/2003	Lo Duca	229/120.18	2008/0156676	A1 *	7/2008	Verma	206/307
2004/0011859	A1 *	1/2004	Lo Duca	229/120.18	2009/0188817	A1 *	7/2009	Margolis	206/237
2004/0020977	A1 *	2/2004	Lo Duca	229/120.18	2010/0320100	A1 *	12/2010	Holden	206/232
						2011/0132779	A1 *	6/2011	Loughman et al.	206/1.5
						2013/0213833	A1	8/2013	Pruett		

* cited by examiner

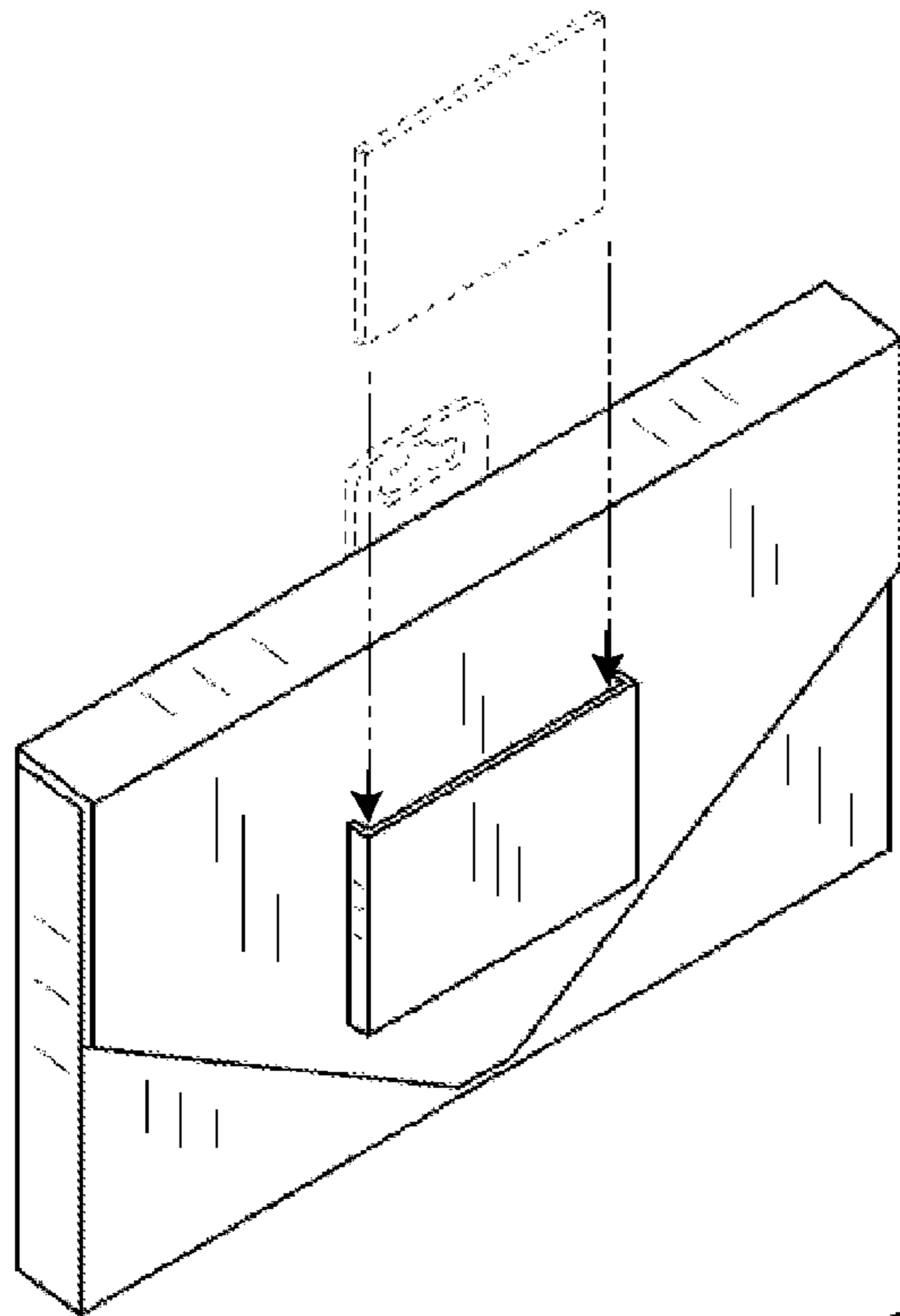


FIG. 1

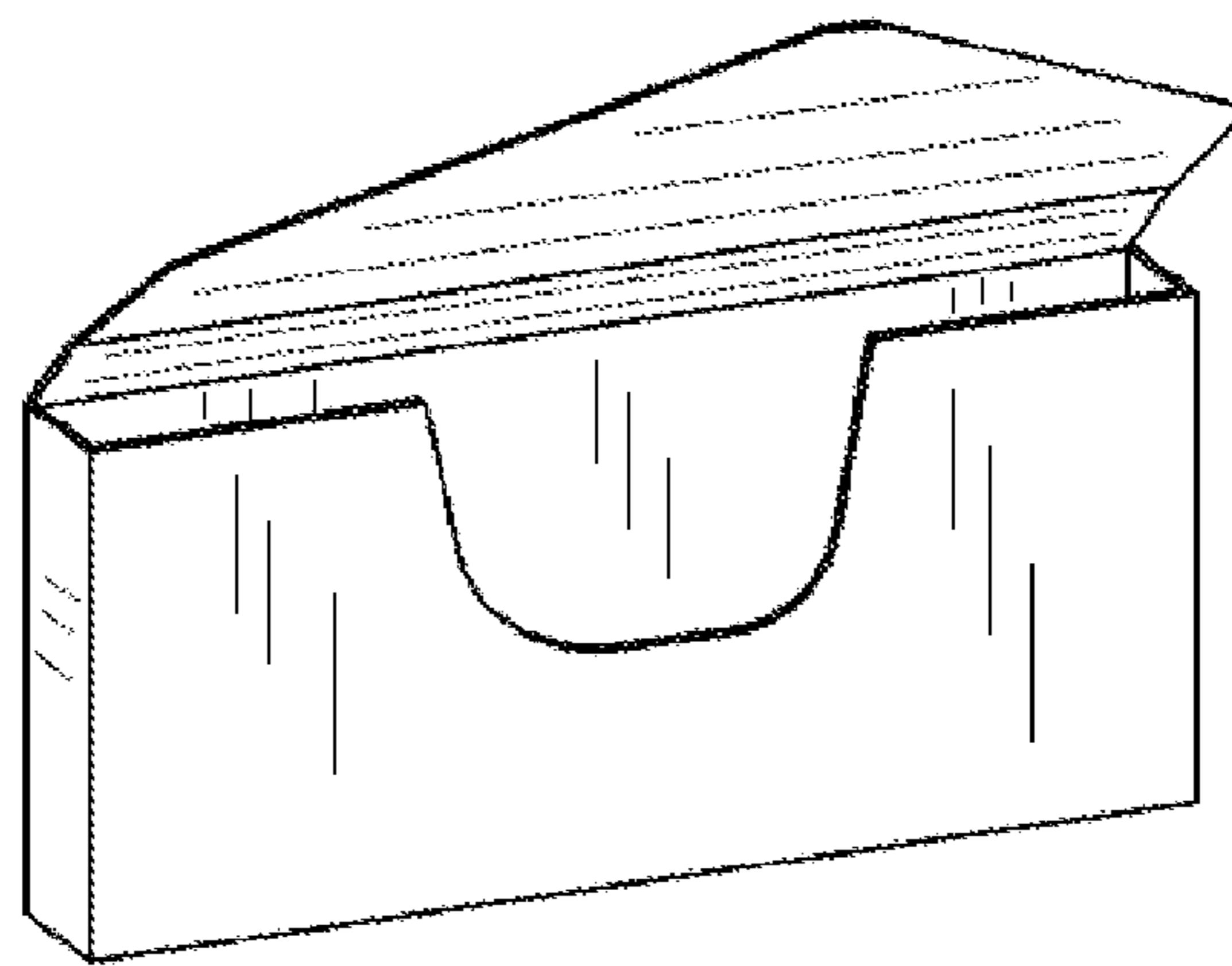


FIG. 2

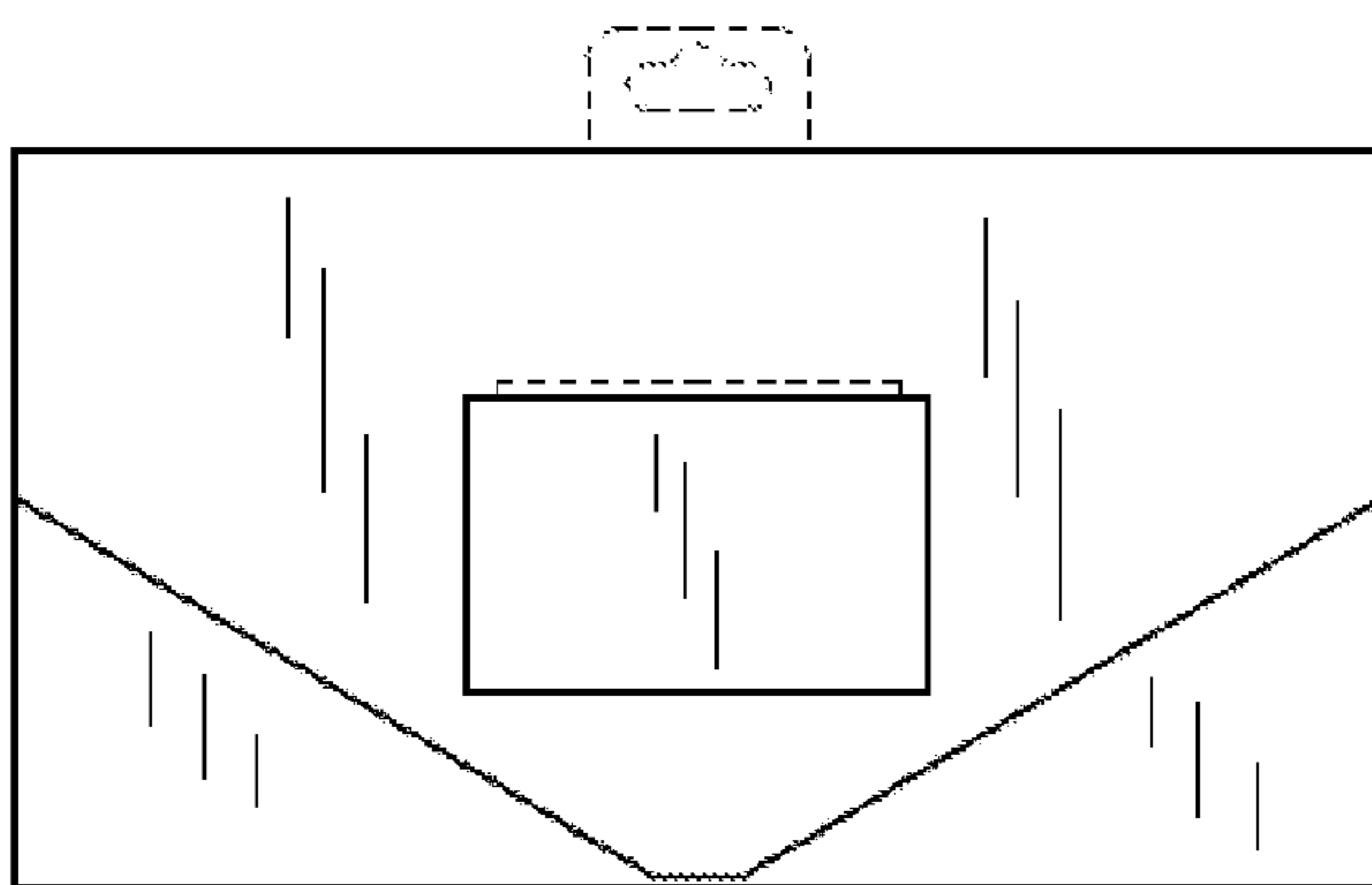


FIG. 3

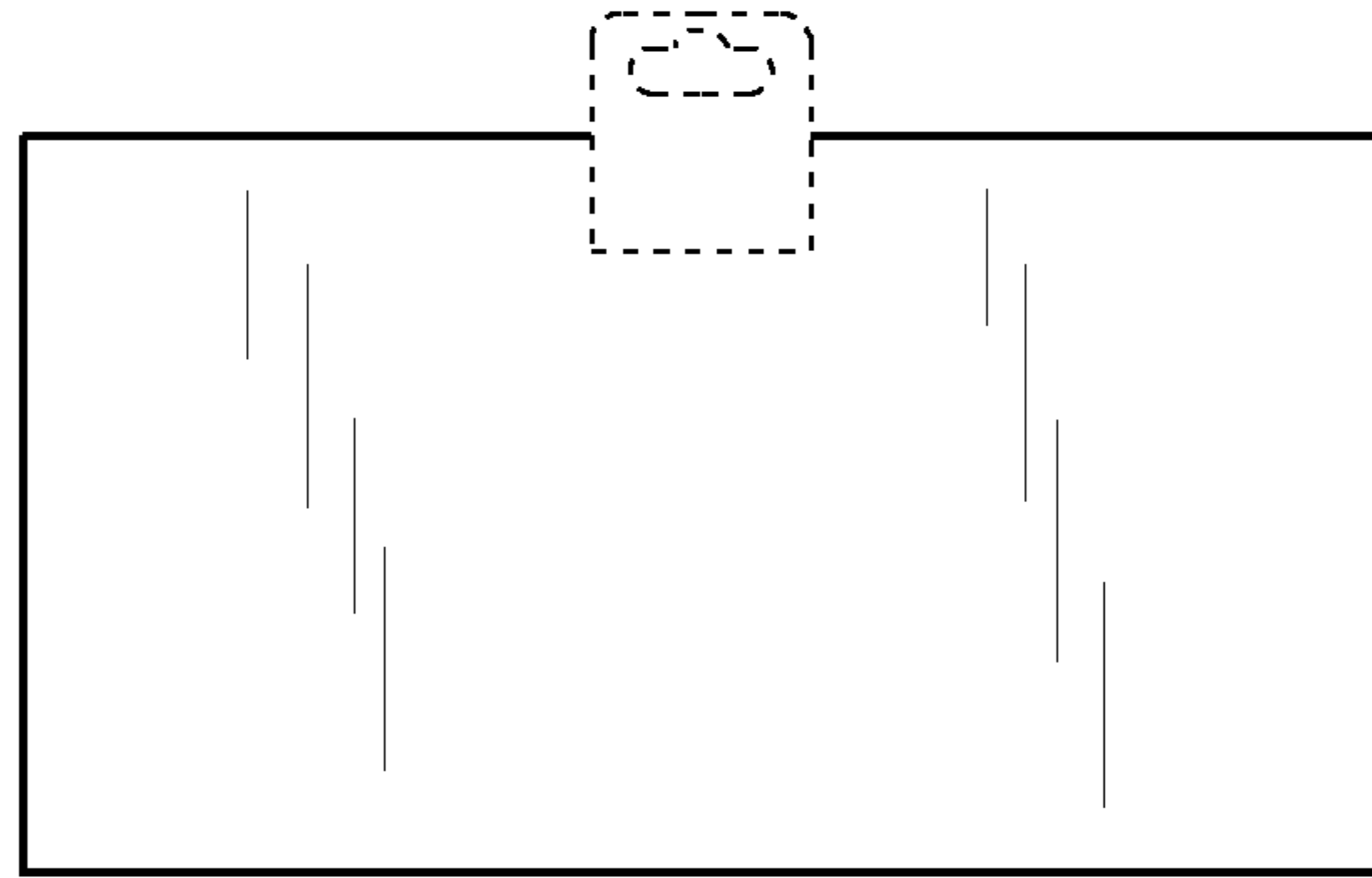


FIG. 4

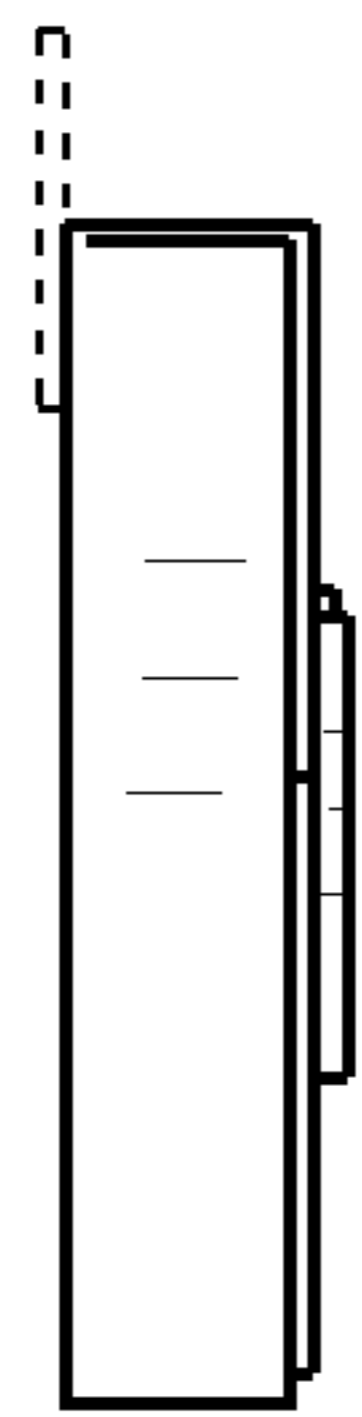


FIG. 5

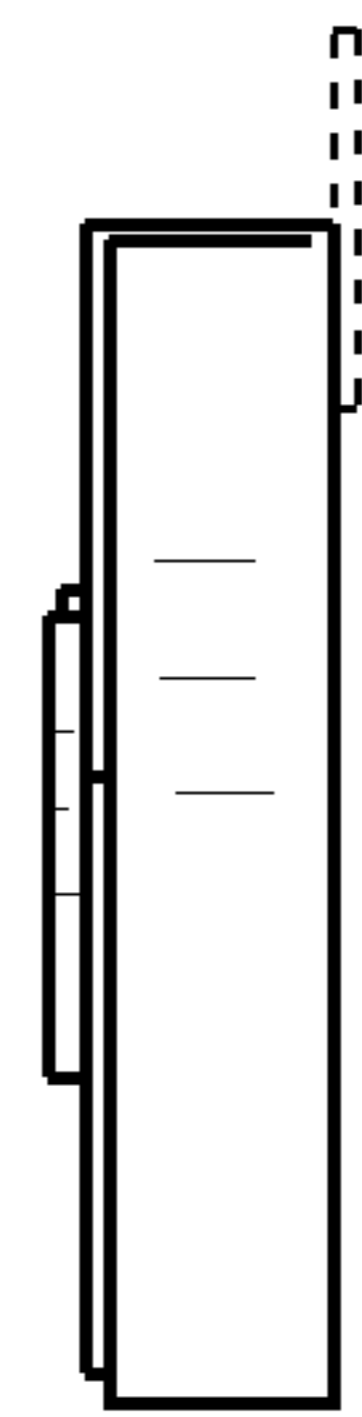


FIG. 6



FIG. 7

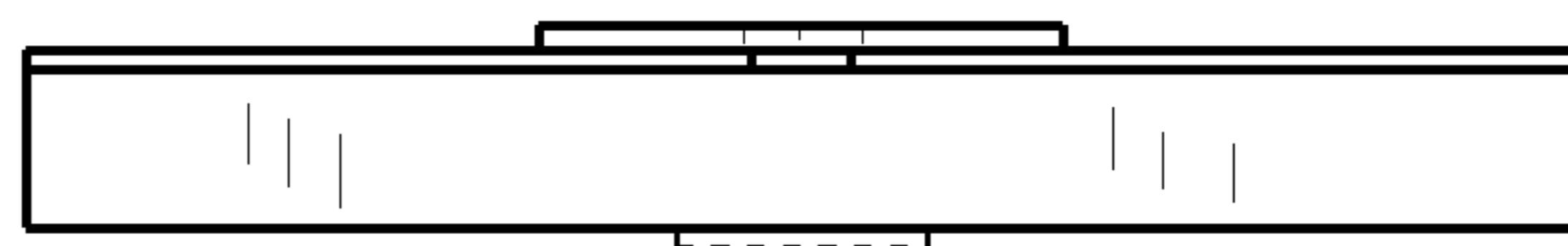


FIG. 8