



US00D745388S

(12) **United States Design Patent**
Taylor

(10) **Patent No.:** **US D745,388 S**
(45) **Date of Patent:** **** Dec. 15, 2015**

- (54) **ELECTRONIC CIGARETTE PACKAGE**
- (71) Applicant: **ZOOM E-CIGS LLC**, Morrisville, NC (US)
- (72) Inventor: **James A. Taylor**, Durham, NC (US)
- (73) Assignee: **ZOON E-CIGS LLC**, Morrisville, NC (US)
- (**) Term: **14 Years**
- (21) Appl. No.: **29/493,896**
- (22) Filed: **Jun. 13, 2014**
- (51) **LOC (10) Cl.** **09-03**
- (52) **U.S. Cl.**
USPC **D9/418**
- (58) **Field of Classification Search**
USPC D9/418, 415, 414, 430, 431, 432, 423, D9/416; D6/632; D27/189; 206/271, 268; 229/117.18, 207; 361/679.1
CPC B65D 85/1081; B65D 85/1045; B65D 5/4208; B65D 5/5435; G06F 1/1616
See application file for complete search history.

- D552,984 S * 10/2007 Baron D9/432
- 7,455,177 B2 * 11/2008 Serafini et al. 206/268
- D591,898 S 5/2009 McKenzie et al.
- D592,525 S 5/2009 Maude et al.
- D592,526 S 5/2009 Maude et al.
- D601,748 S * 10/2009 Pipes et al. D27/189
- D610,303 S 2/2010 Valle
- D616,146 S 5/2010 Holford
- D636,931 S * 4/2011 de The et al. D27/189
- D638,291 S * 5/2011 England D9/432
- D641,621 S * 7/2011 Kusumi et al. D9/432
- D657,240 S 4/2012 England
- D668,141 S * 10/2012 Collins D9/423
- D668,534 S * 10/2012 Collins D9/423
- D668,535 S * 10/2012 Collins D9/423
- D693,670 S * 11/2013 van Landsveld et al. D9/423
- D702,116 S * 4/2014 Buchanan et al. D9/416
- D706,129 S * 6/2014 Boraczek et al. D9/418
- 8,913,374 B2 * 12/2014 Wu et al. 361/679.01
- 2009/0101698 A1 * 4/2009 Chen 229/117.18

* cited by examiner

Primary Examiner — Holly Baynham
Assistant Examiner — Rhea Shields
(74) *Attorney, Agent, or Firm* — Knobbe, Martens, Olson & Bear, LLP.

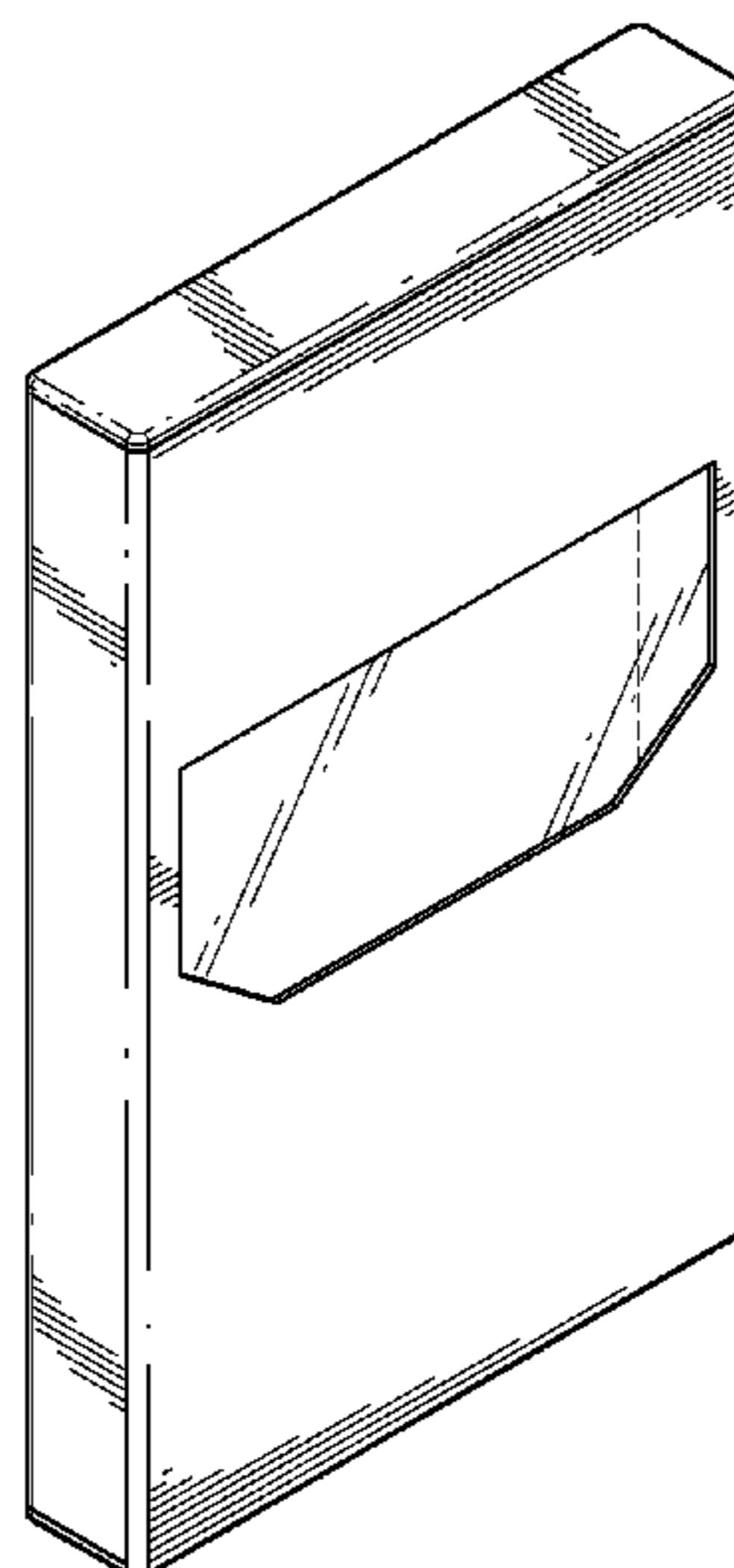
(57) **CLAIM**
I claim the ornamental design for an electronic cigarette package, as shown and described.

DESCRIPTION

FIG. 1 is a top, front, and side perspective view of an electronic cigarette package;
FIG. 2 is a front view thereof;
FIG. 3 is a back view thereof;
FIG. 4 is a top view thereof;
FIG. 5 is a bottom side view thereof;
FIG. 6 is a first side view thereof; and,
FIG. 7 is a second side view thereof.
In the drawings, the broken lines are for the purpose of illustrating environment only and form no part of the claimed design.

1 Claim, 3 Drawing Sheets

- (56) **References Cited**
U.S. PATENT DOCUMENTS
- 3,982,685 A * 9/1976 Shimada 229/207
- D249,869 S 10/1978 Tillander
- D273,660 S 5/1984 Weinberg
- D279,507 S 7/1985 Schechter et al.
- D323,986 S * 2/1992 Ferrero D9/418
- D355,275 S 2/1995 Focke
- D363,568 S 10/1995 Ghrawi
- 5,511,658 A * 4/1996 Focke et al. 206/271
- D380,927 S * 7/1997 Williams et al. D6/632
- D419,259 S 1/2000 Johnson
- D443,388 S 6/2001 Roberts et al.
- D509,623 S 9/2005 Mitten et al.
- D536,965 S * 2/2007 Levy D9/430
- D541,471 S 4/2007 Mitten et al.



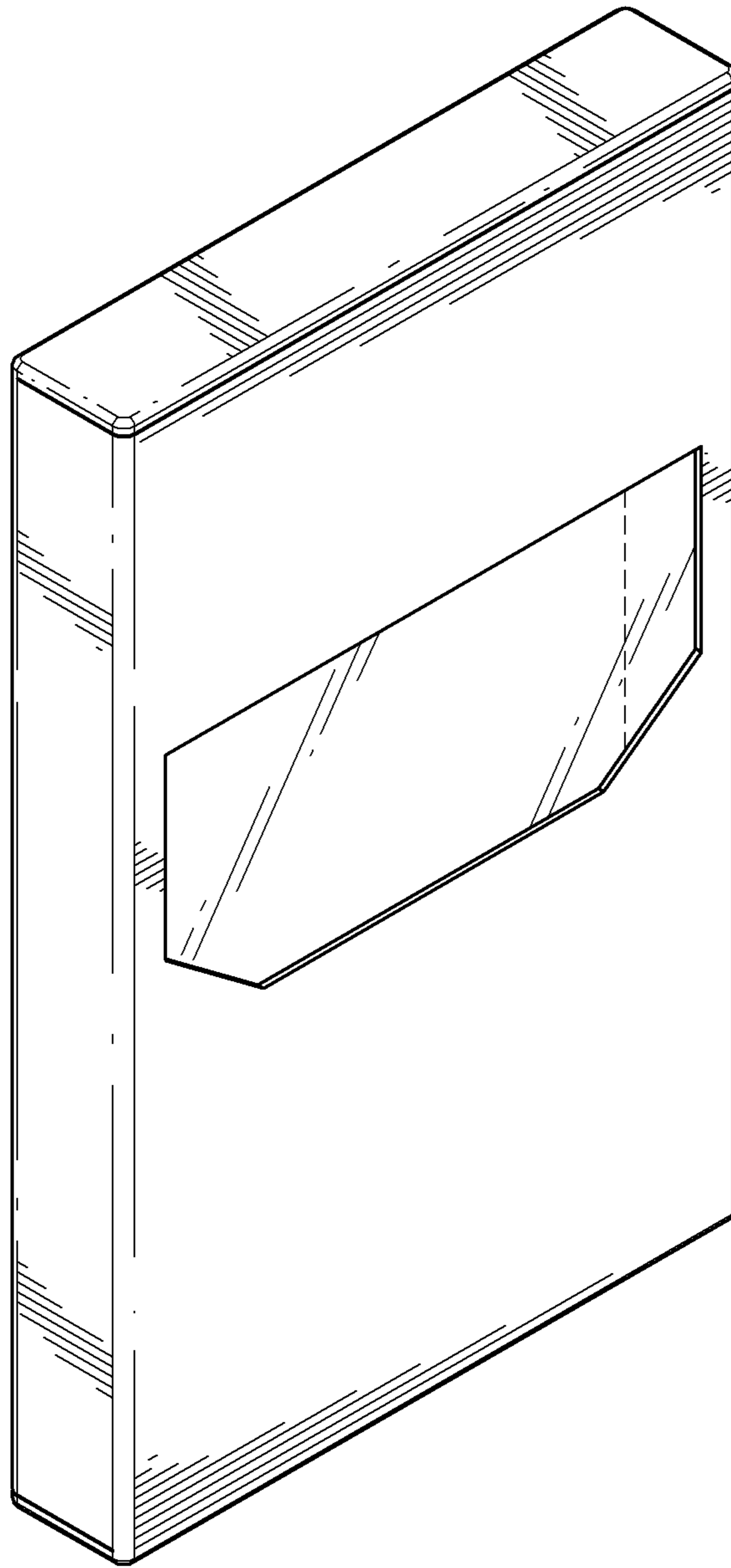


FIG. 1

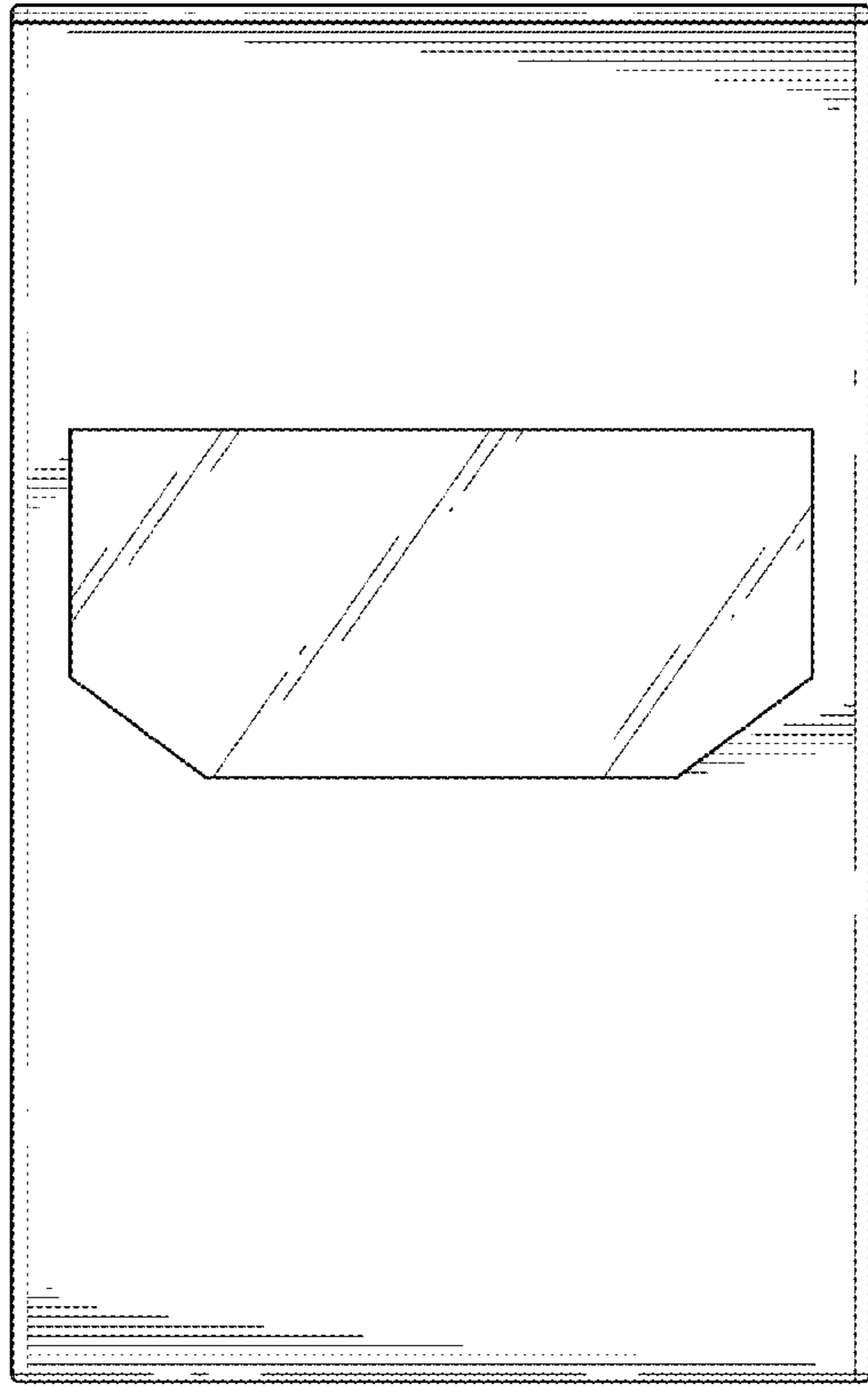


FIG. 2

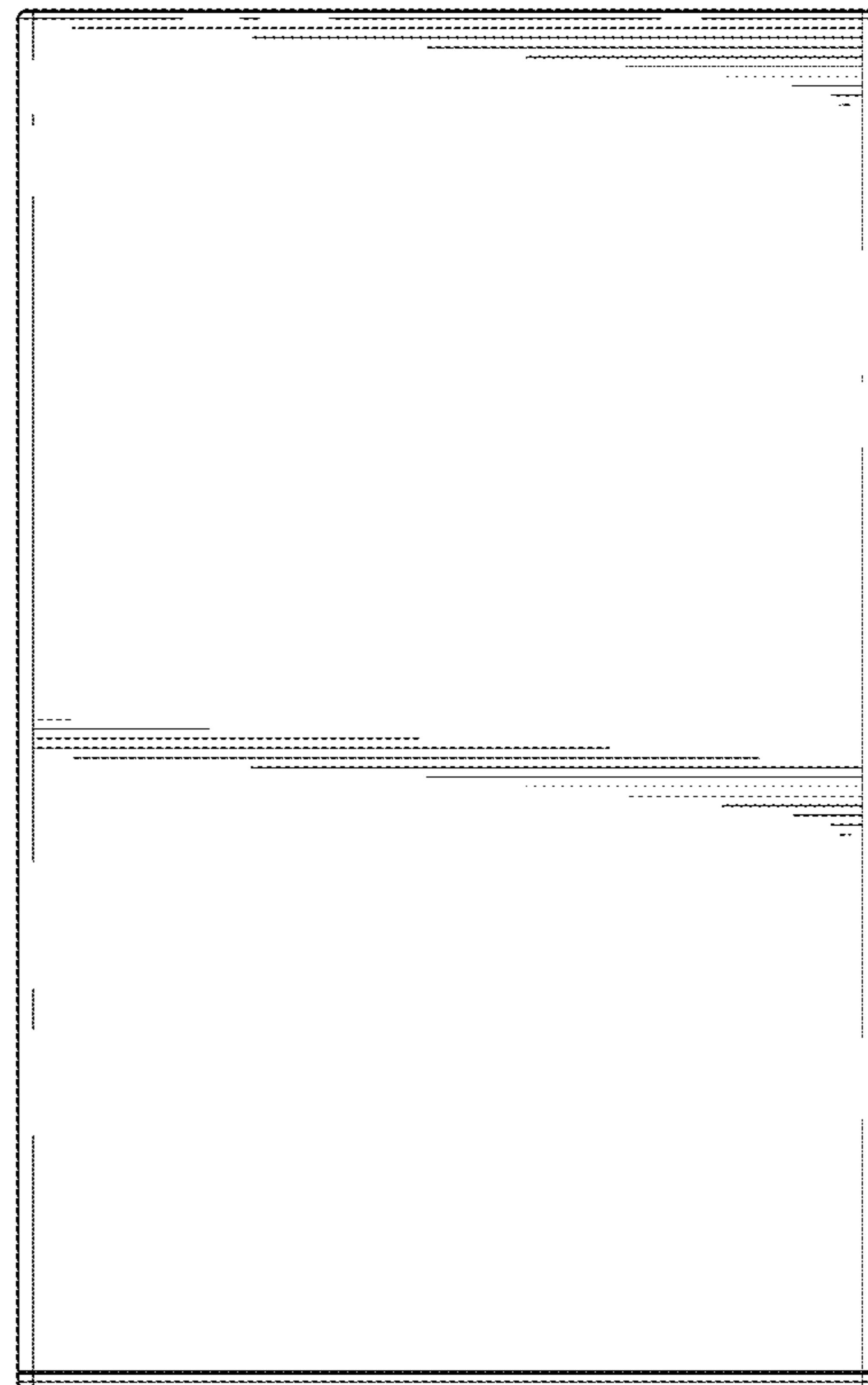


FIG. 3

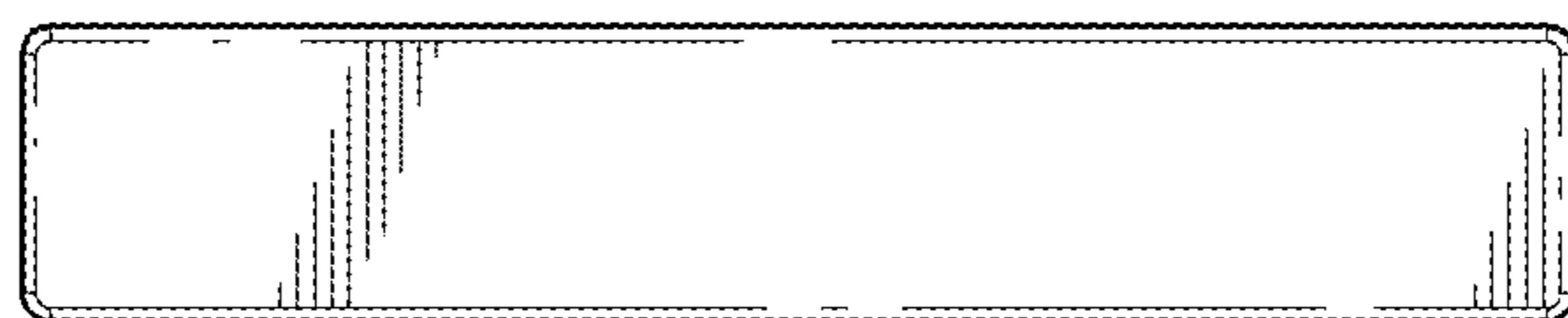


FIG. 4

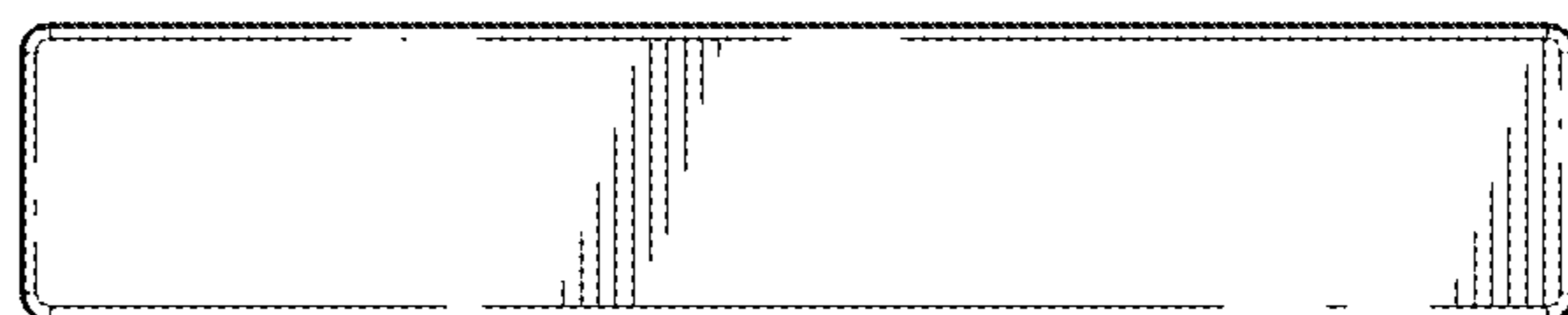


FIG. 5

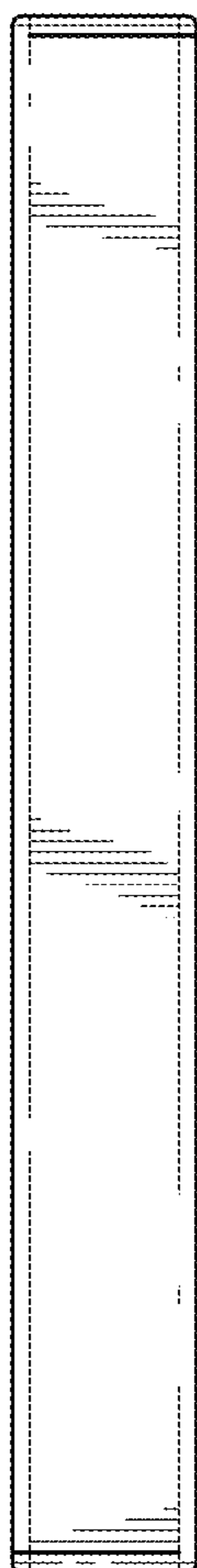


FIG. 6

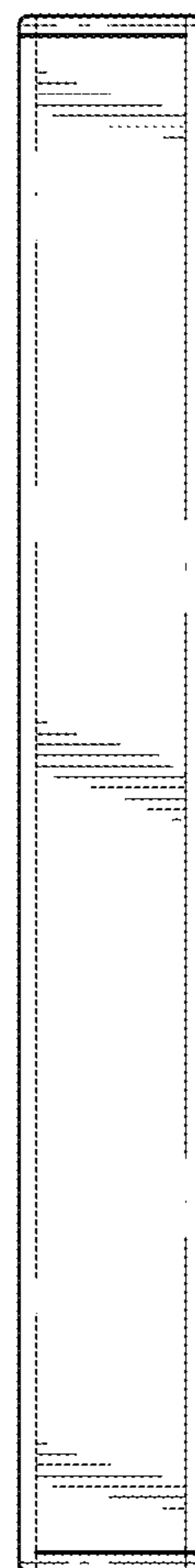


FIG. 7