



US00D745386S

(12) **United States Design Patent**
Covey et al.

(10) **Patent No.:** **US D745,386 S**
(45) **Date of Patent:** **** Dec. 15, 2015**

- (54) **POD**
- (71) Applicant: **Food & Beverage Innovations, LLC**,
Portland, OR (US)
- (72) Inventors: **Jason Covey**, Seattle, WA (US); **Ian Graves**, Seattle, WA (US); **Thomas Gurski**, Seattle, WA (US)
- (73) Assignee: **Food & Beverage Innovations, LLC**,
Portland, OR (US)
- (**) Term: **14 Years**
- (21) Appl. No.: **29/512,964**
- (22) Filed: **Dec. 23, 2014**
- (51) **LOC (10) Cl.** **09-03**
- (52) **U.S. Cl.**
USPC **D9/416**
- (58) **Field of Classification Search**
USPC D9/414-416, 439, 429, 503, 500, 425,
D9/428, 424, 696, 434, 778, 756; D7/400,
D7/531, 511, 629; D13/179; 220/675
CPC B65D 1/40
See application file for complete search history.

D652,266 S *	1/2012	Smyers	D7/630
D652,291 S *	1/2012	Riales	D9/429
D662,777 S	7/2012	Andrascik		
D675,089 S *	1/2013	Cook et al.	D9/428
D681,448 S *	5/2013	O'Malley	D9/429
D684,048 S *	6/2013	Hodge et al.	D9/429
D684,460 S *	6/2013	Hodge et al.	D9/429
D684,856 S *	6/2013	Hodge et al.	D9/429
D686,916 S *	7/2013	O'Brien	D9/429
D689,768 S *	9/2013	Inderbitzin	D9/429
D695,110 S *	12/2013	Houlton et al.	D9/500
D695,111 S *	12/2013	Hansen et al.	D9/429
D697,797 S *	1/2014	Hansen	D9/429
D708,057 S *	7/2014	Hansen	D9/429

* cited by examiner

Primary Examiner — Holly Baynham
Assistant Examiner — Rhea Shields
(74) *Attorney, Agent, or Firm* — Alleman Hall McCoy
Russell & Tuttle LLP

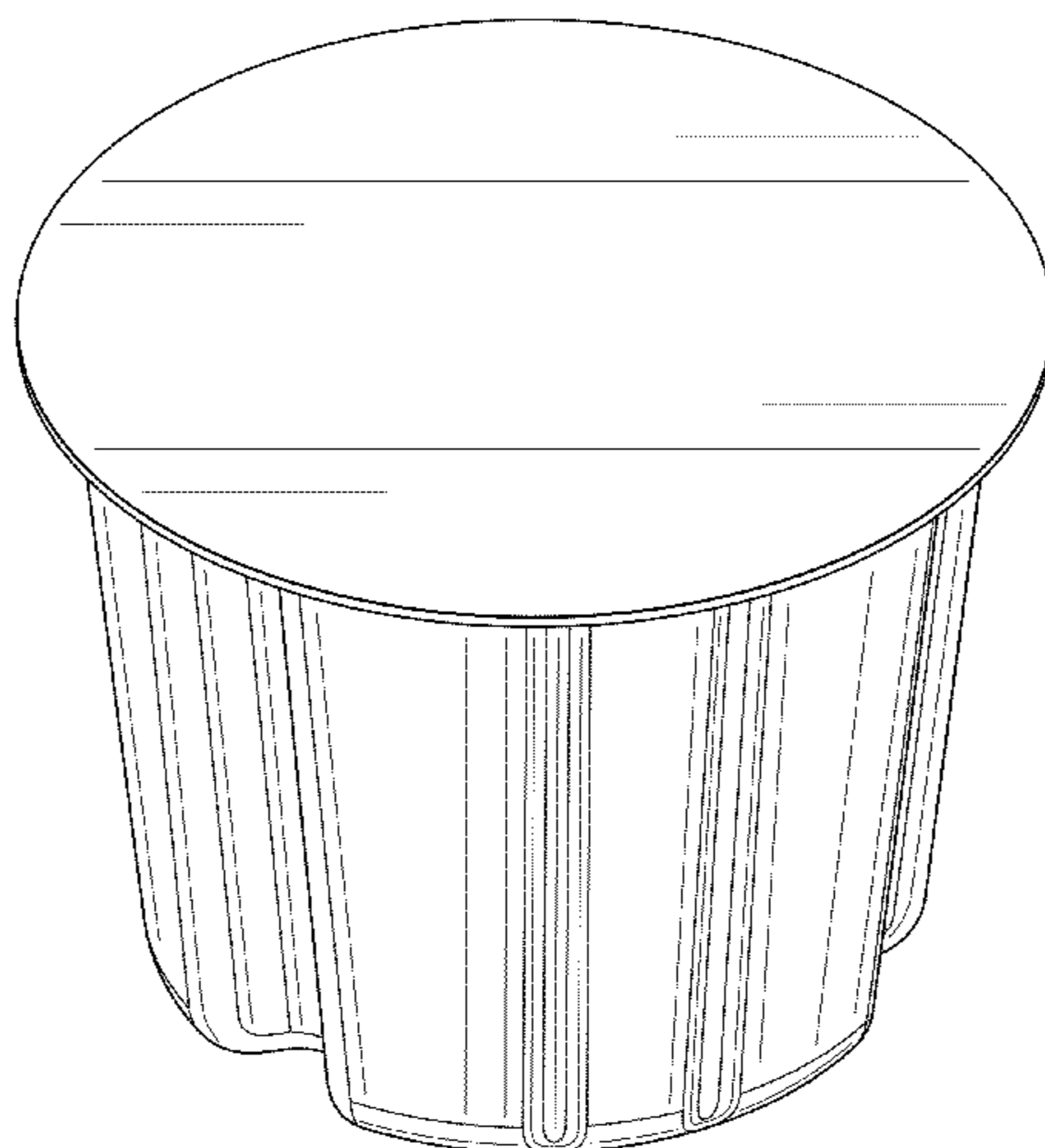
(57) **CLAIM**
The ornamental design for a pod, as shown and described.

DESCRIPTION

FIG. 1 shows a perspective view of a pod in accordance with an embodiment of the present design.
FIG. 2 shows a front view of the pod of FIG. 1 in accordance with an embodiment of the present design.
FIG. 3 shows a left side view of the pod of FIG. 1 in accordance with an embodiment of the present design.
FIG. 4 shows a back view of the pod of FIG. 1 in accordance with an embodiment of the present design.
FIG. 5 shows a right side view of the pod of FIG. 1 in accordance with an embodiment of the present design.
FIG. 6 shows a top view of the pod of FIG. 1 in accordance with an embodiment of the present design; and,
FIG. 7 shows a bottom view of the pod of FIG. 1 in accordance with an embodiment of the present design.

1 Claim, 7 Drawing Sheets

- (56) **References Cited**
U.S. PATENT DOCUMENTS
- | | | | | |
|----------------|---------|-----------------|-------|---------|
| D336,041 S * | 6/1993 | Zama | | D9/429 |
| D342,447 S * | 12/1993 | Aylward | | D9/429 |
| D364,564 S * | 11/1995 | Moore | | D9/429 |
| D371,511 S * | 7/1996 | Giarracca | | D9/756 |
| D507,740 S * | 7/2005 | Ruiz et al. | | D9/425 |
| D519,831 S * | 5/2006 | de Cleir et al. | | D9/428 |
| D570,650 S * | 6/2008 | Vovan | | D7/629 |
| D574,191 S * | 8/2008 | Ablo | | D7/531 |
| 7,546,932 B2 * | 6/2009 | Smith et al. | | 220/675 |
| D635,105 S * | 3/2011 | Maxik et al. | | D13/179 |
| D642,454 S * | 8/2011 | Santoiemmo | | D9/428 |
| D642,467 S * | 8/2011 | Knutson et al. | | D9/452 |



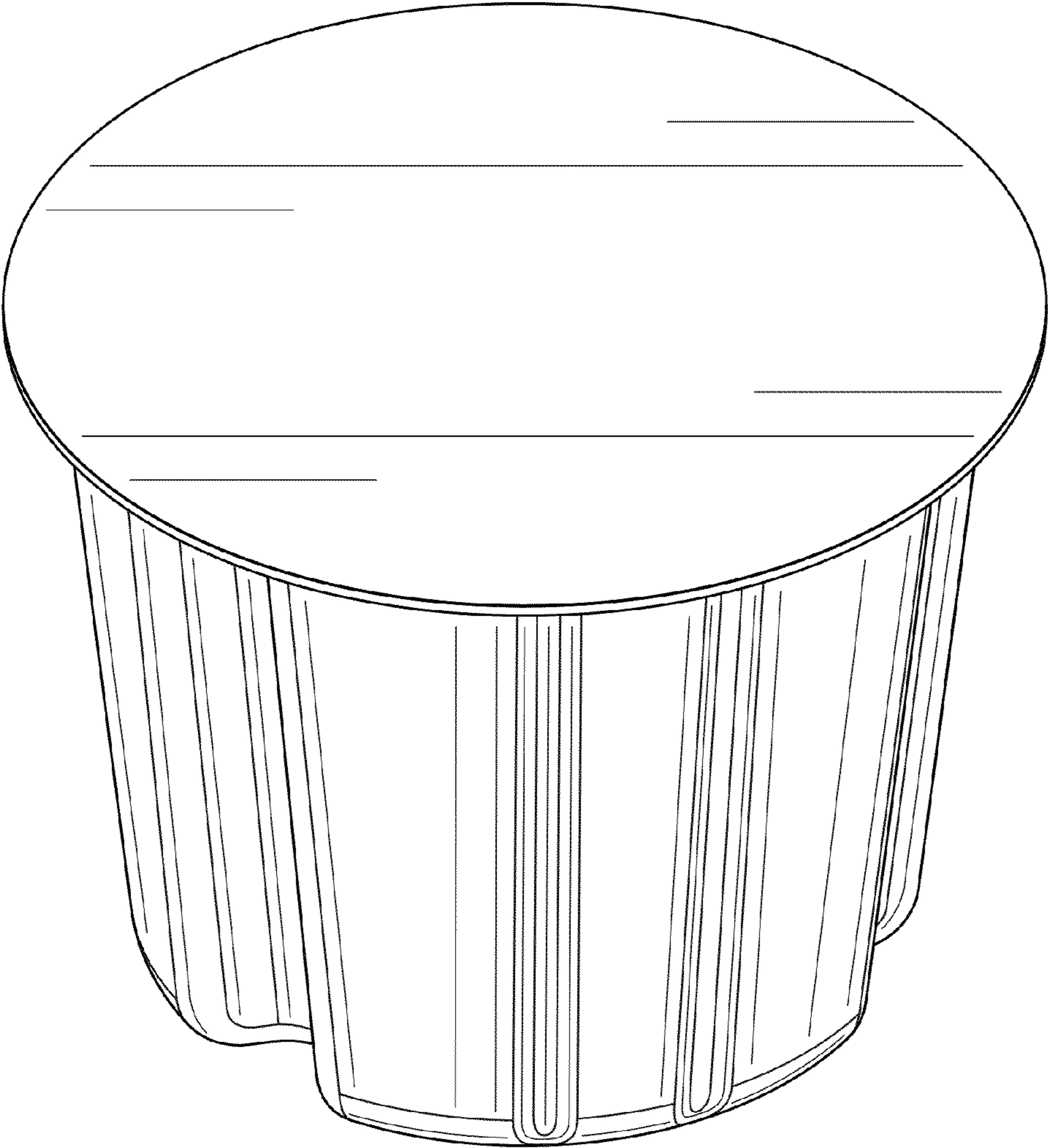


FIG. 1

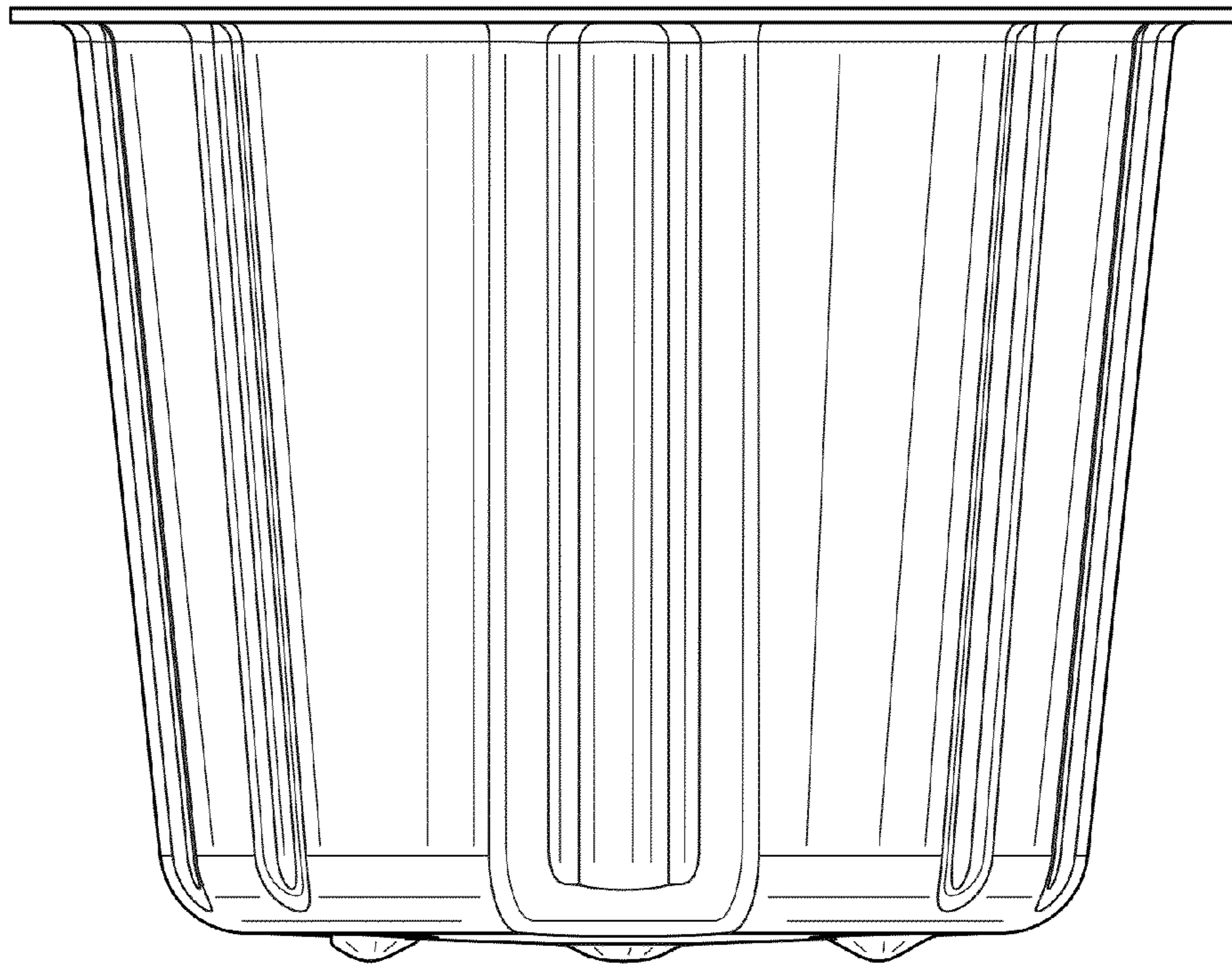


FIG. 2

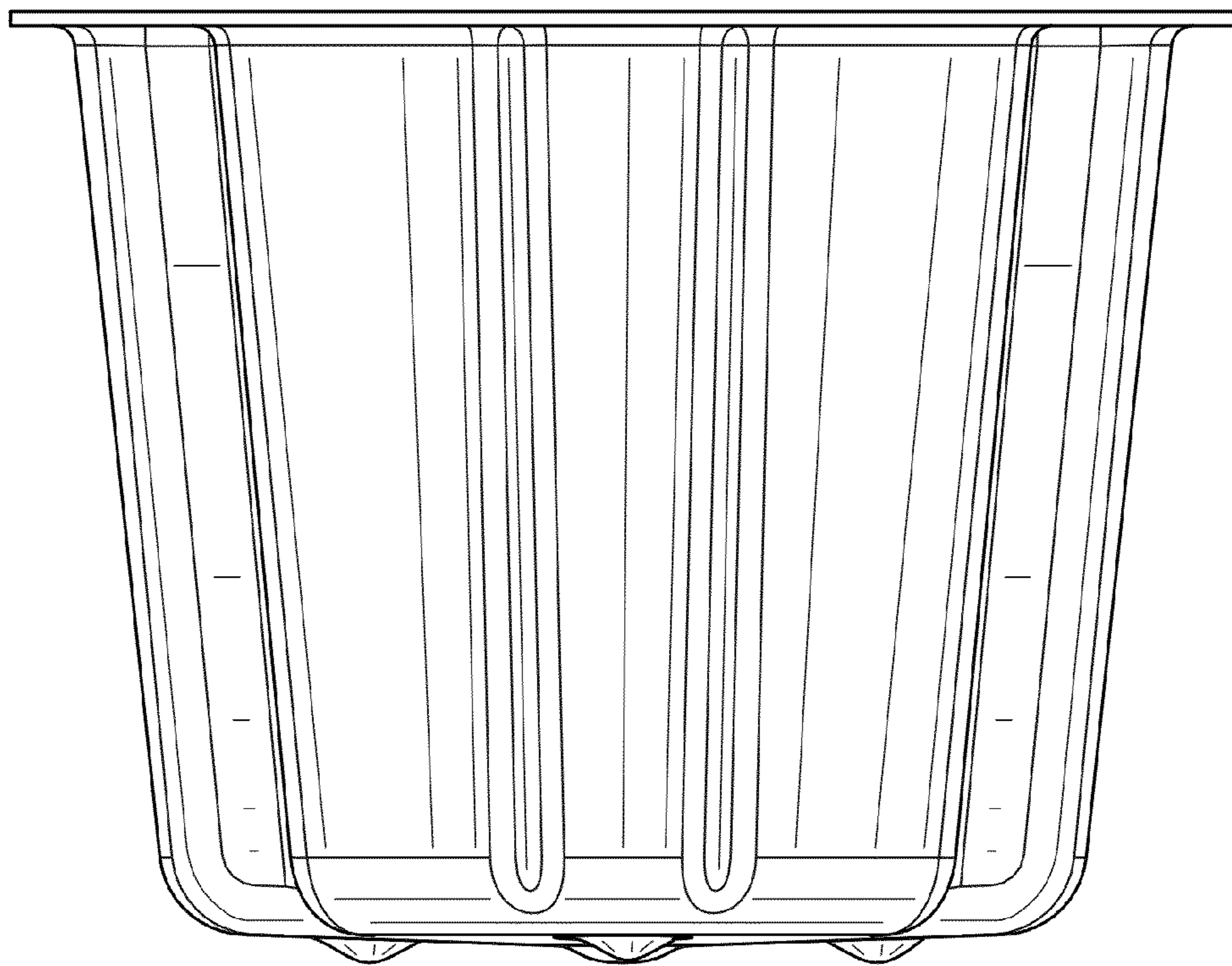


FIG. 3

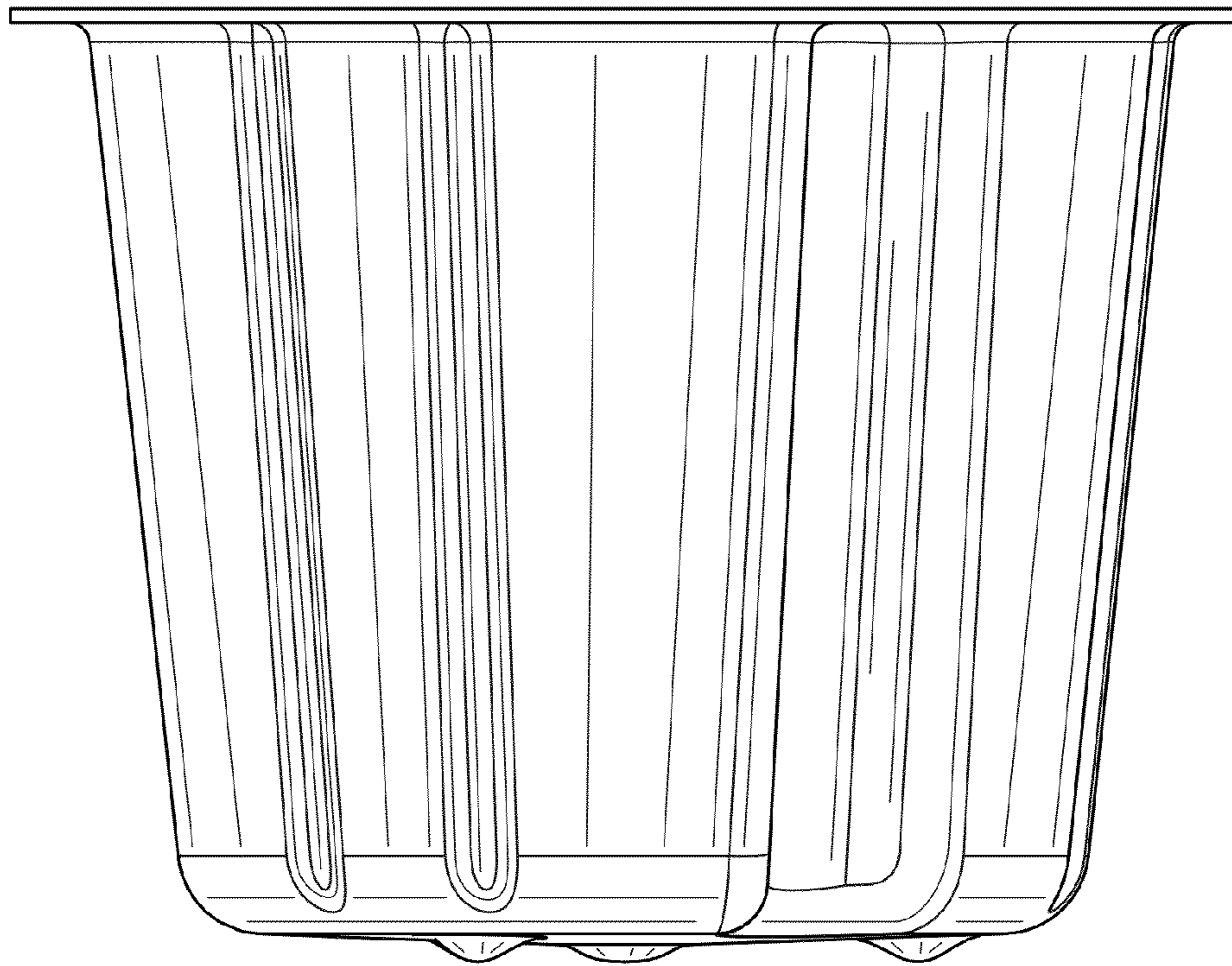


FIG. 4

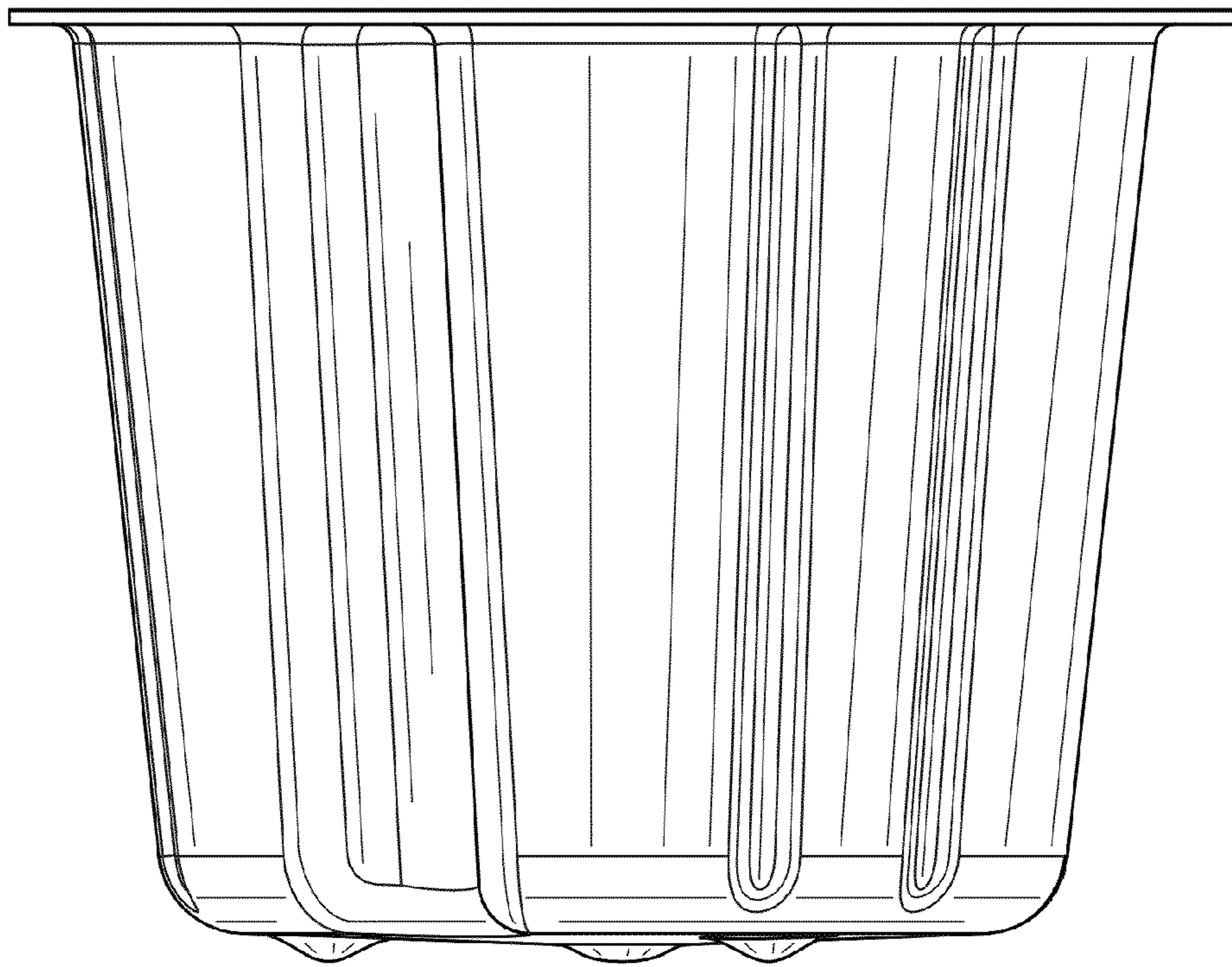


FIG. 5

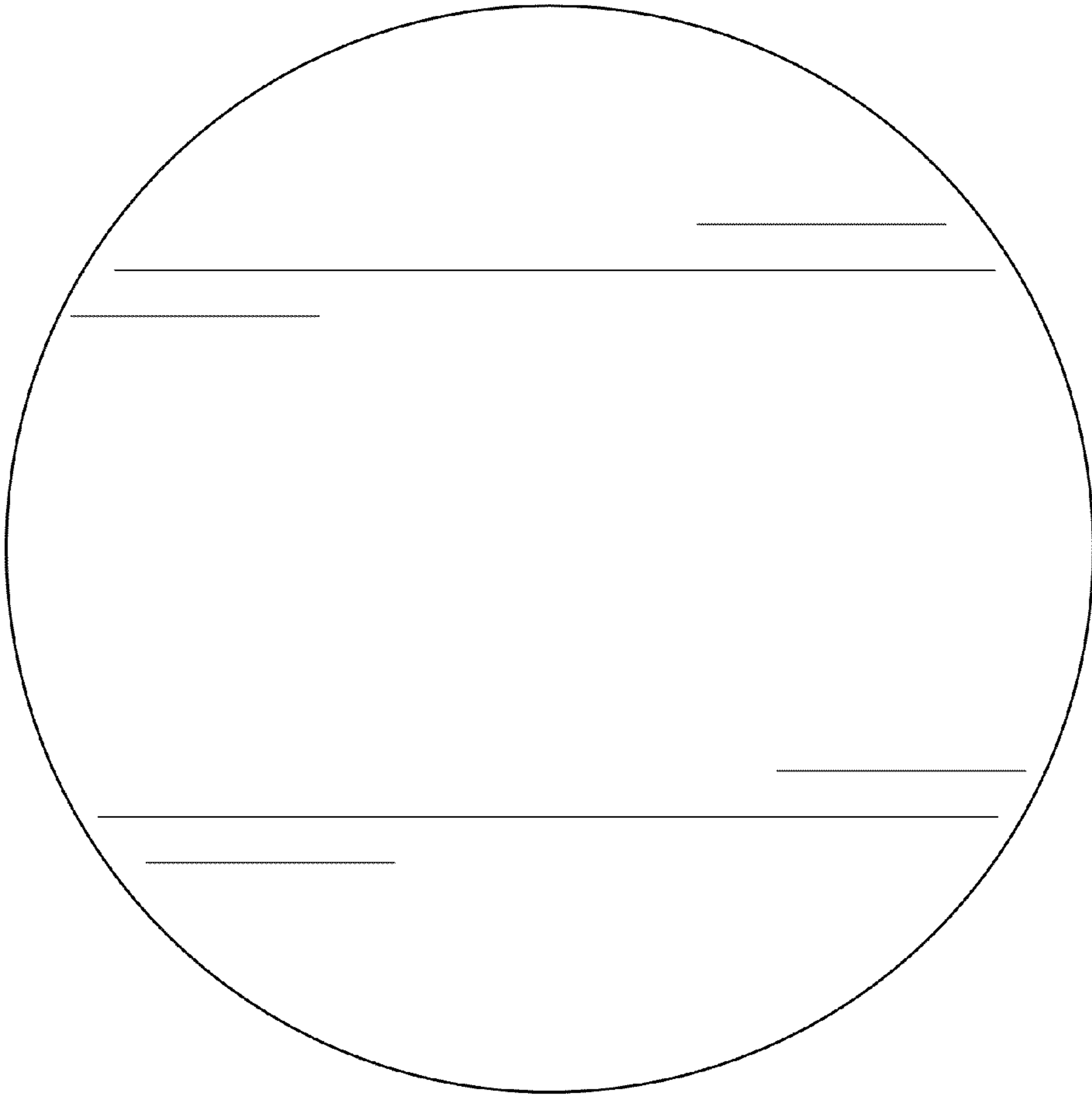


FIG. 6

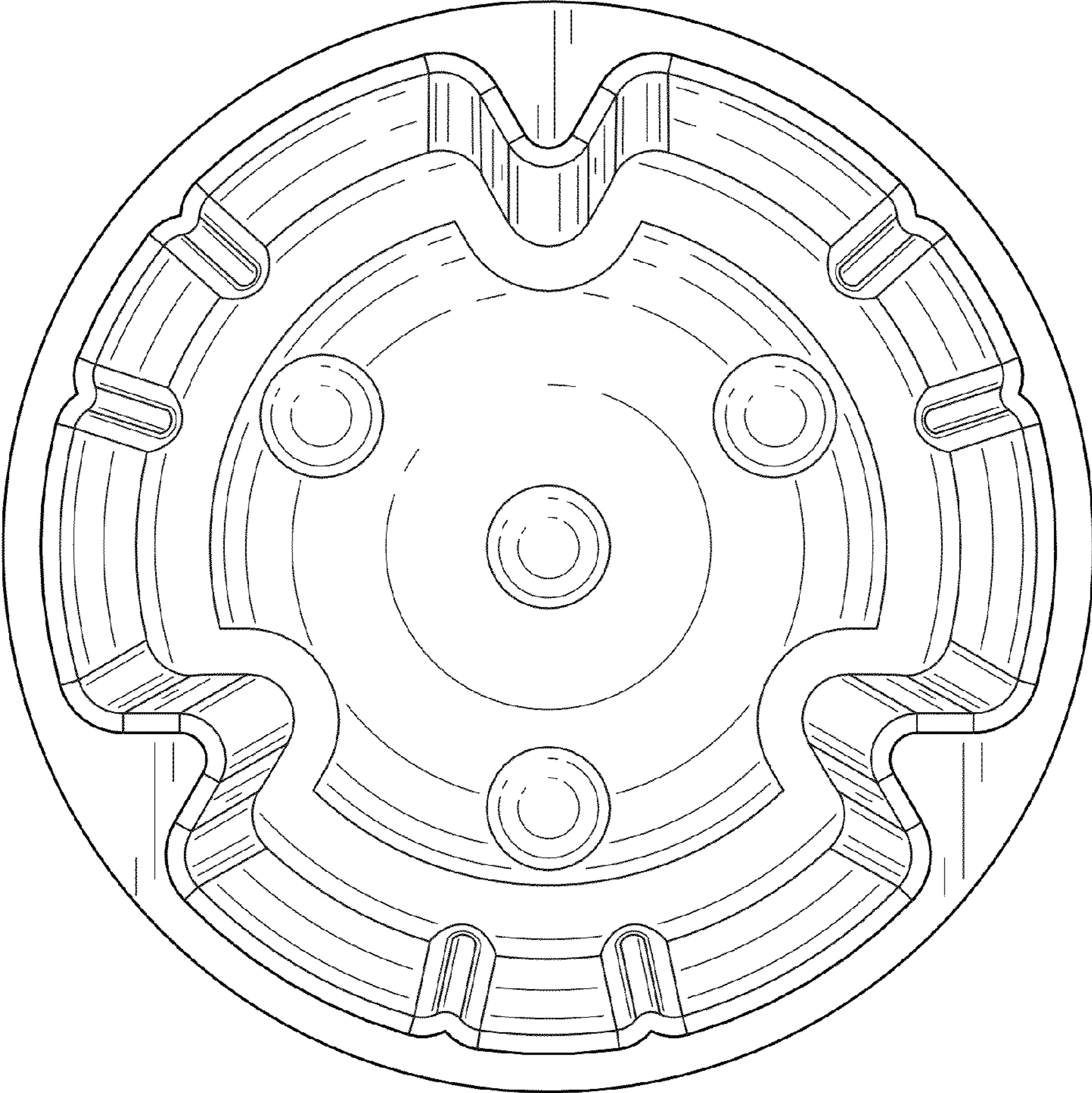


FIG. 7