



US00D745385S

(12) **United States Design Patent**
Pålsson et al.

(10) **Patent No.:** **US D745,385 S**

(45) **Date of Patent:** **** Dec. 15, 2015**

(54) **SINGLE BLISTER PACK**

(71) Applicant: **SANDVIK INTELLECTUAL
PROPERTY AB**, Sandviken (SE)

(72) Inventors: **Claes Pålsson**, Gavle (SE); **Linus
Larsson**, Göteborg (SE)

(73) Assignee: **SANDVIK INTELLECTUAL
PROPERTY AB**, Sandvik (SE)

(**) Term: **14 Years**

(21) Appl. No.: **29/475,518**

(22) Filed: **Dec. 4, 2013**

(30) **Foreign Application Priority Data**

Jun. 5, 2013 (EM) 001373427-0001
Jun. 5, 2013 (EM) 001373427-0002

(51) **LOC (10) Cl.** **09-03**

(52) **U.S. Cl.**
USPC **D9/415**

(58) **Field of Classification Search**
USPC D9/414, 415, 438, 440, 445, 418, 433,
D9/722, 457, 456, 499, 703, 707, 702, 424,
D9/425, 756; 206/461, 463, 464, 768, 476,
206/489, 807, 804, 806, 466, 465, 769, 776,
206/779, 362.1, 471; 383/101, 107, 108,
383/109

See application file for complete search history.

(56) **References Cited**

U.S. PATENT DOCUMENTS

D278,979 S * 5/1985 Anderson et al. D9/415
D293,769 S * 1/1988 Gilardone, Jr. D9/415

D299,085 S * 12/1988 Martinez D3/264
D305,408 S * 1/1990 LaJoie D9/415
5,762,200 A * 6/1998 Goudreau 206/583
D682,689 S * 5/2013 Kalberer et al. D9/438
D698,236 S * 1/2014 Geiberger D9/415
2011/0233097 A1* 9/2011 Clark 206/461

* cited by examiner

Primary Examiner — Holly Baynham

Assistant Examiner — Rhea Shields

(74) *Attorney, Agent, or Firm* — Corrinne R. Gorski

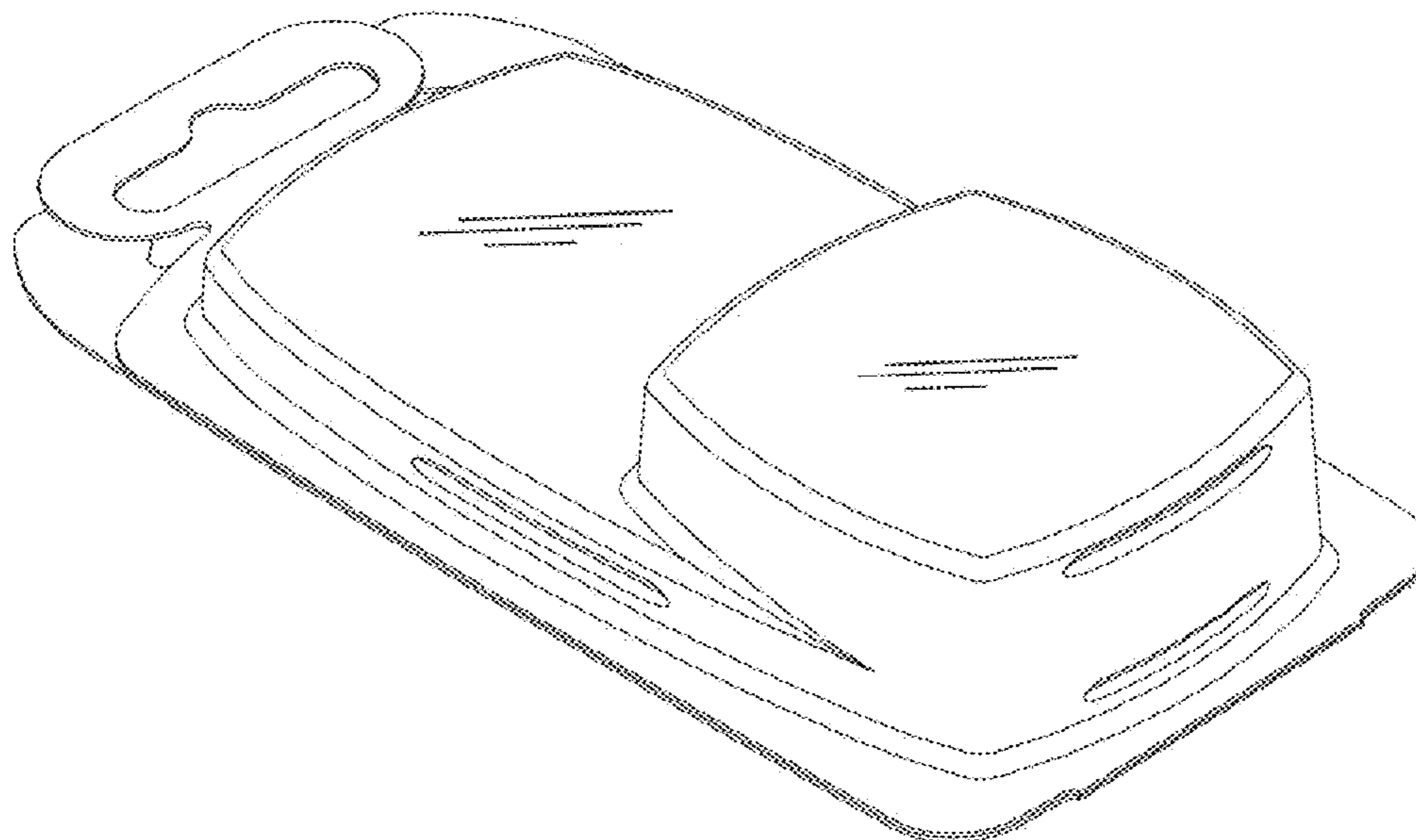
(57) **CLAIM**

The ornamental design for a single blister pack, as shown and described.

DESCRIPTION

FIG. 1 is a rear perspective view of the top of a first embodiment of the single blister pack in a closed condition; FIG. 2 is a bottom rear perspective view thereof; FIG. 3 is a front view thereof; FIG. 4 is a bottom plan view thereof; FIG. 5 is a rear view thereof; FIG. 6 is a side view thereof; FIG. 7 is a top plan view thereof; and FIG. 8 is a side view thereof opposite to that shown in FIG. 6. FIG. 9 is a top perspective view of the top of a second embodiment of the single blister pack shown in an open condition; FIG. 10 is a bottom perspective view thereof; FIG. 11 is a front closed view thereof; FIG. 12 is a top plan view thereof; FIG. 13 is a rear closed view thereof; FIG. 14 is a side view thereof; FIG. 15 is a bottom view thereof; and, FIG. 16 is a side view thereof opposite that shown in FIG. 14.

1 Claim, 16 Drawing Sheets



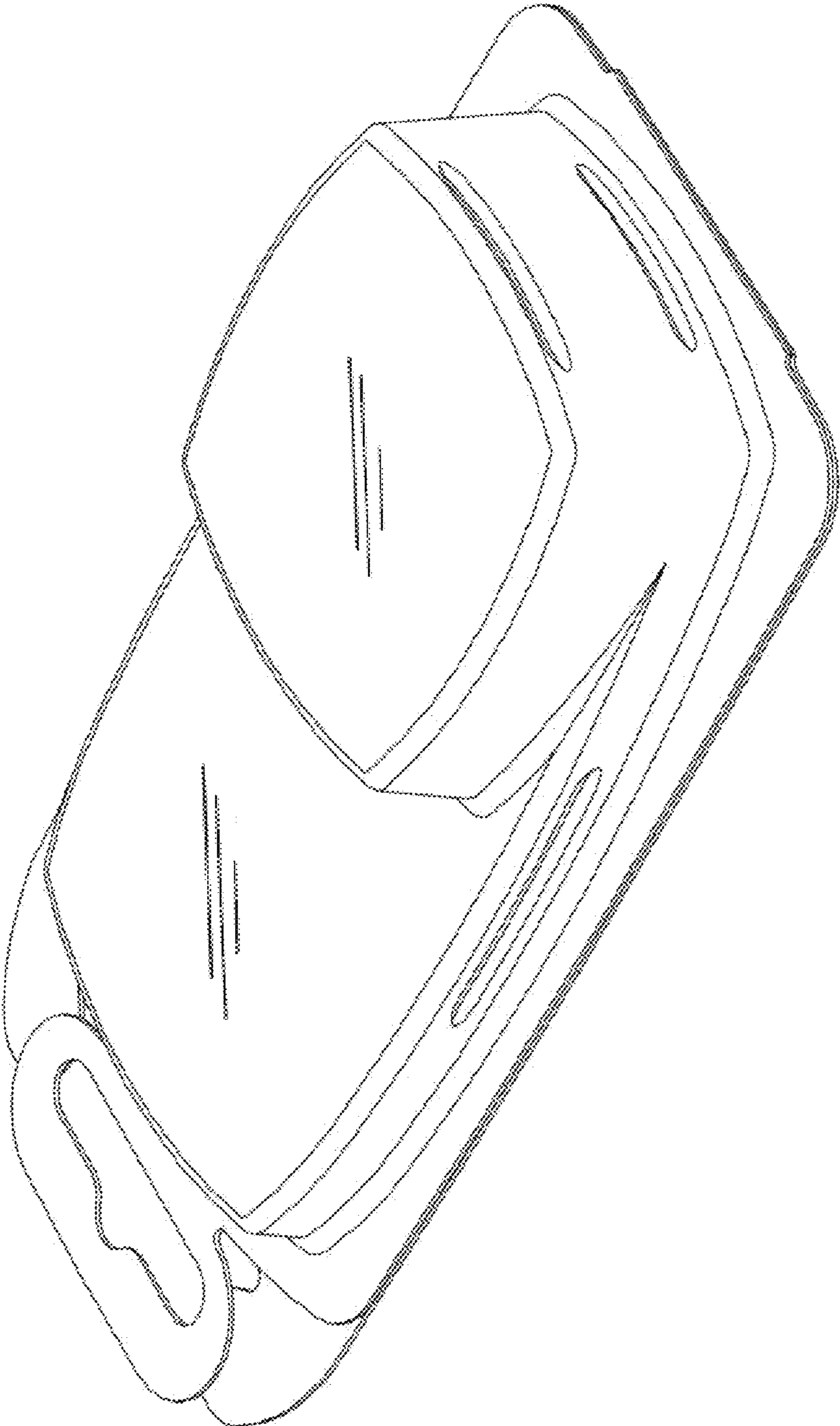


Fig. 1

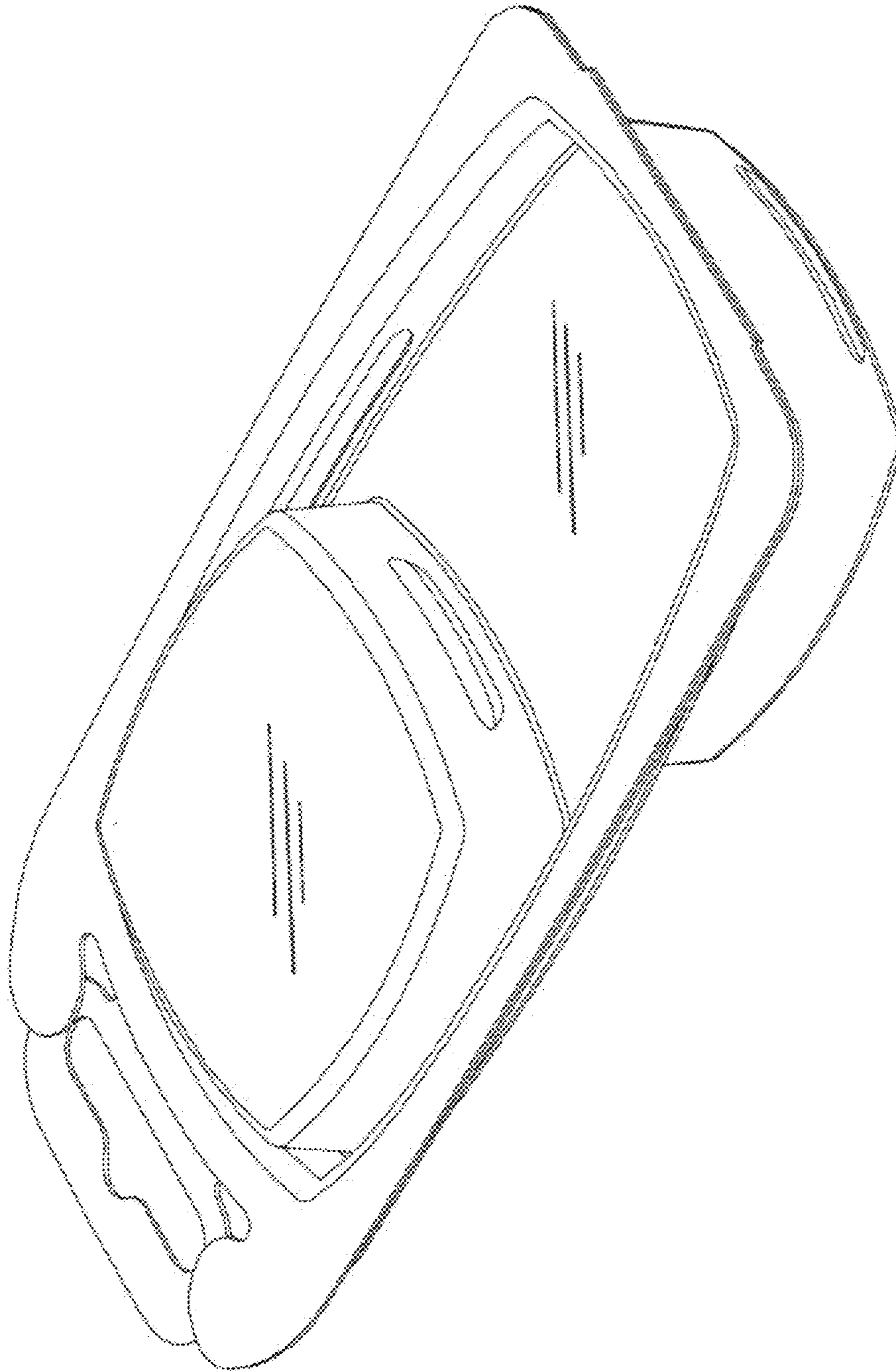


Fig. 2

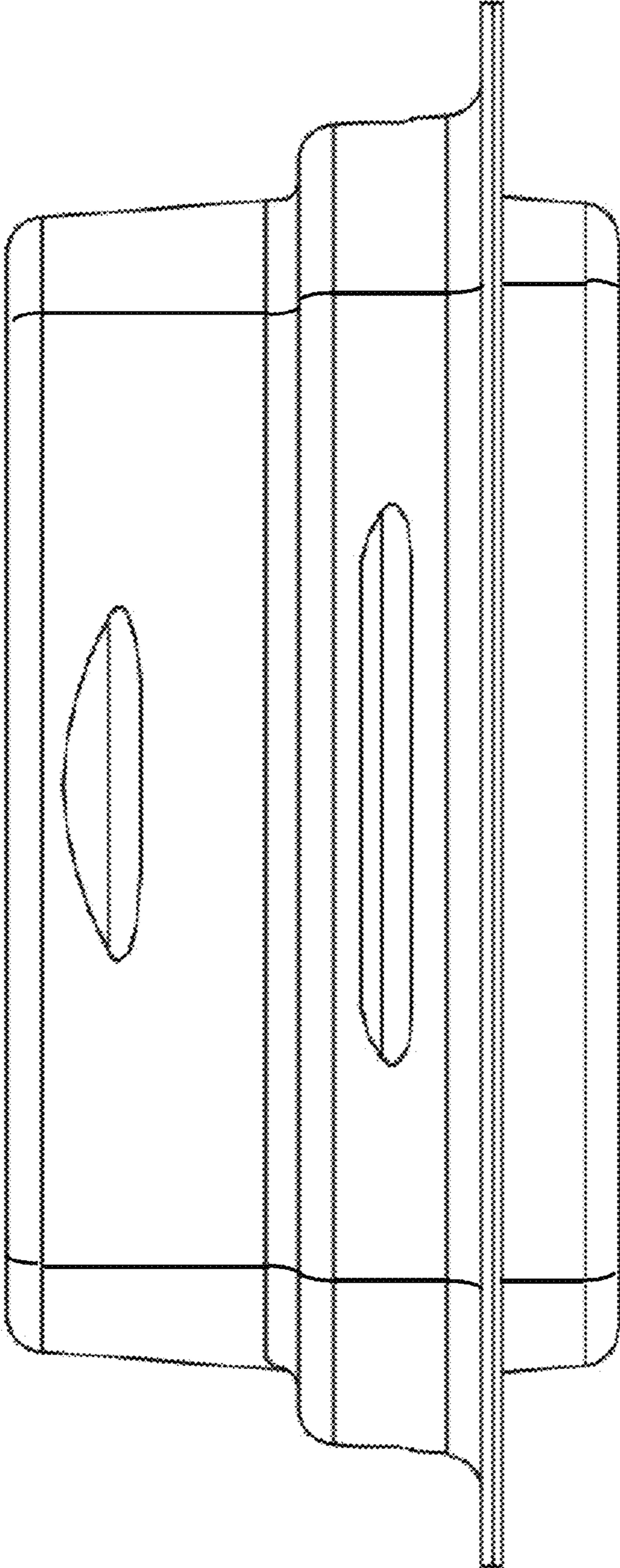


Fig. 3

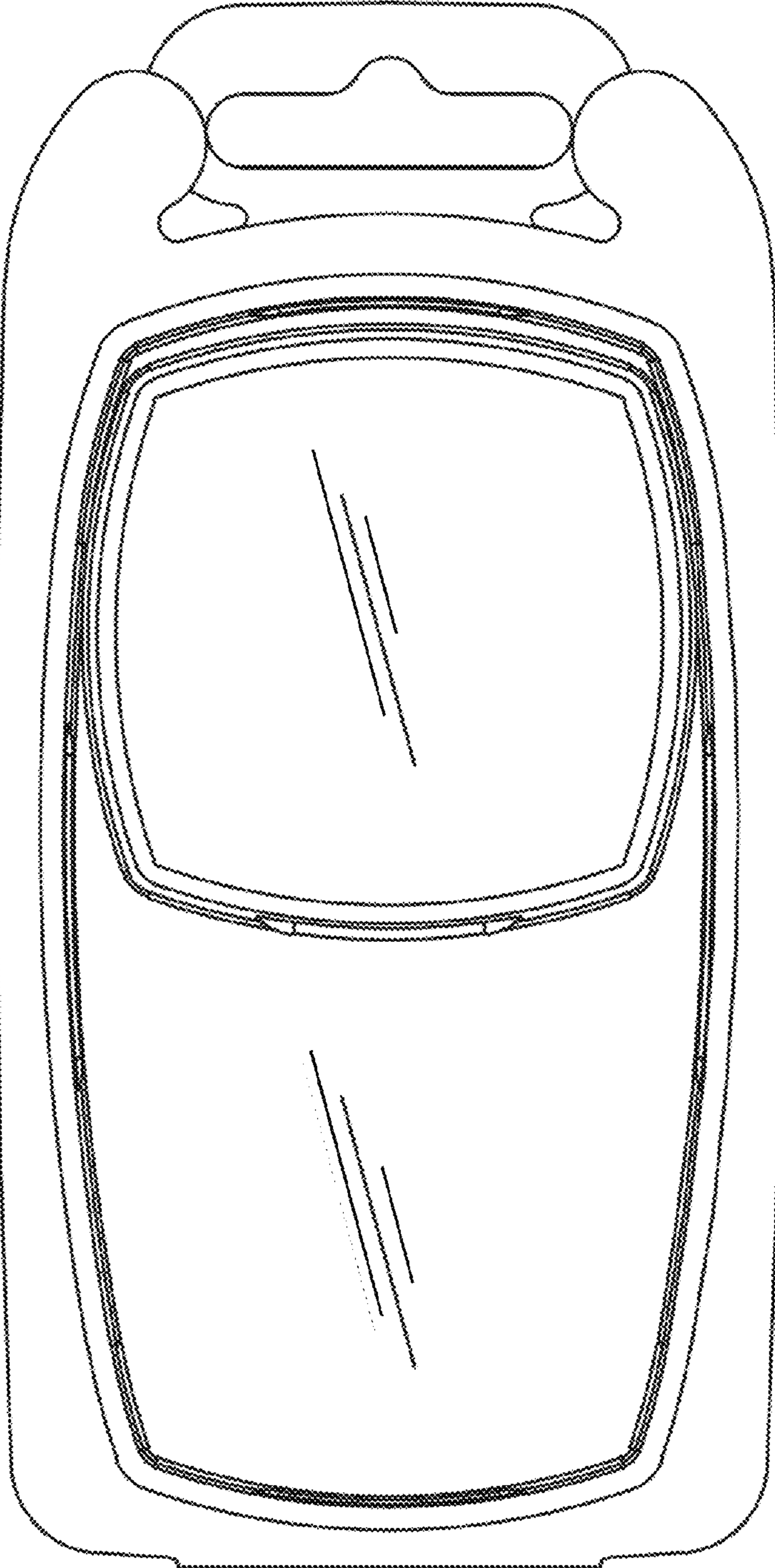


Fig. 4

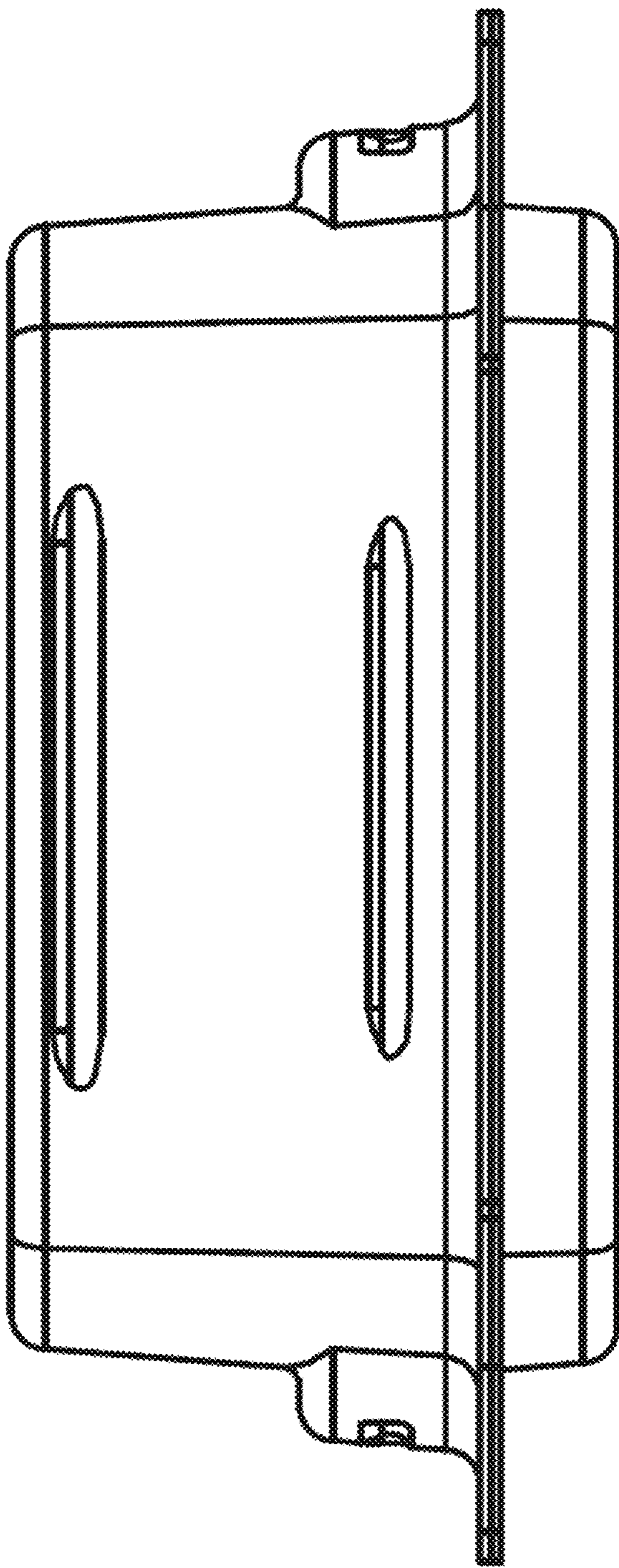


Fig. 5

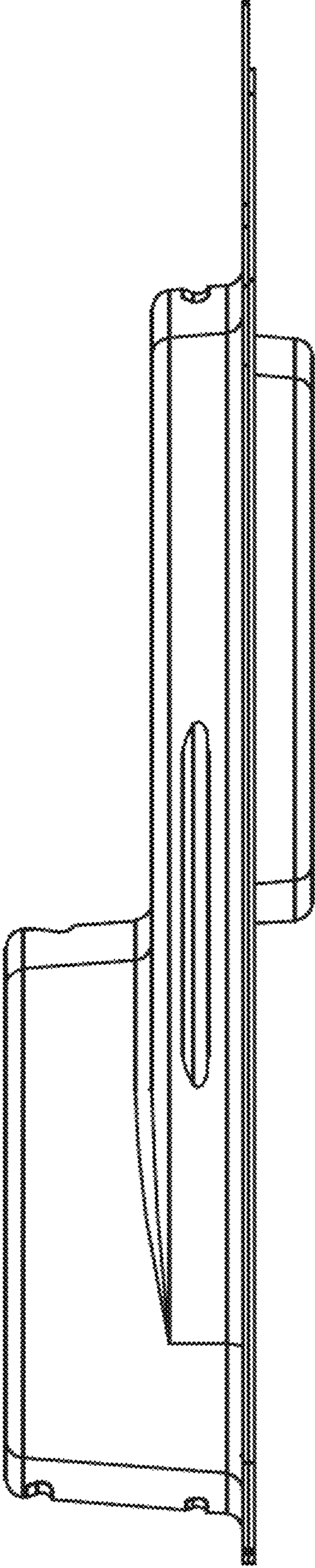


Fig. 6

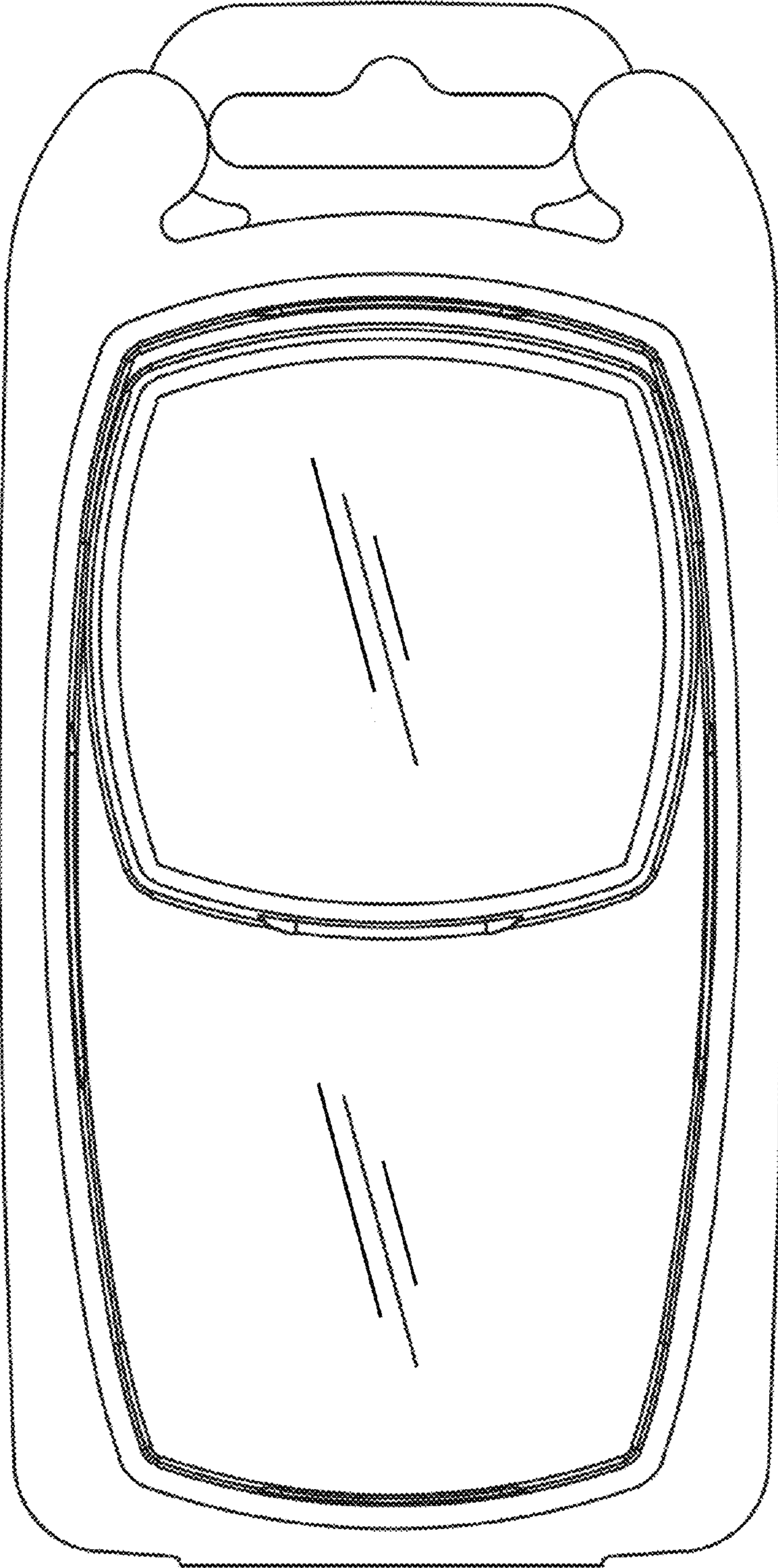


Fig. 7

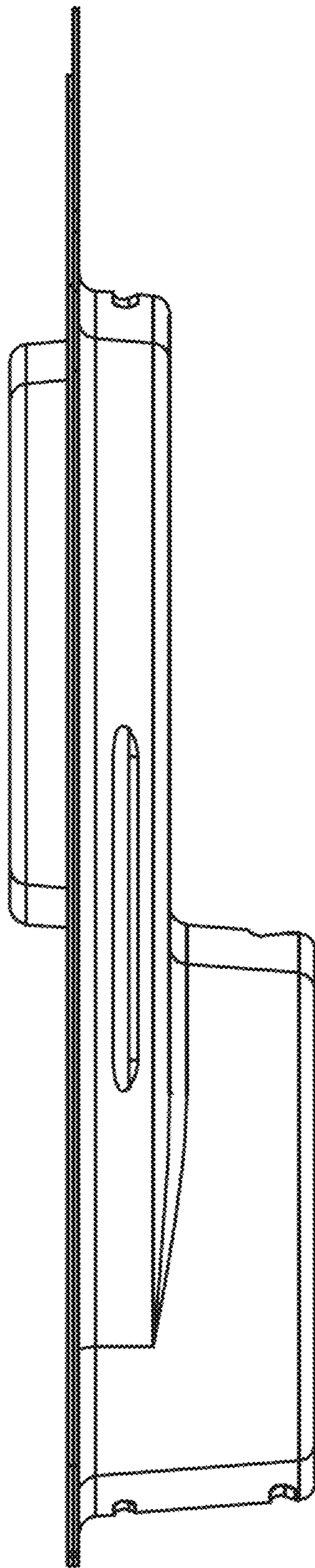


Fig. 8

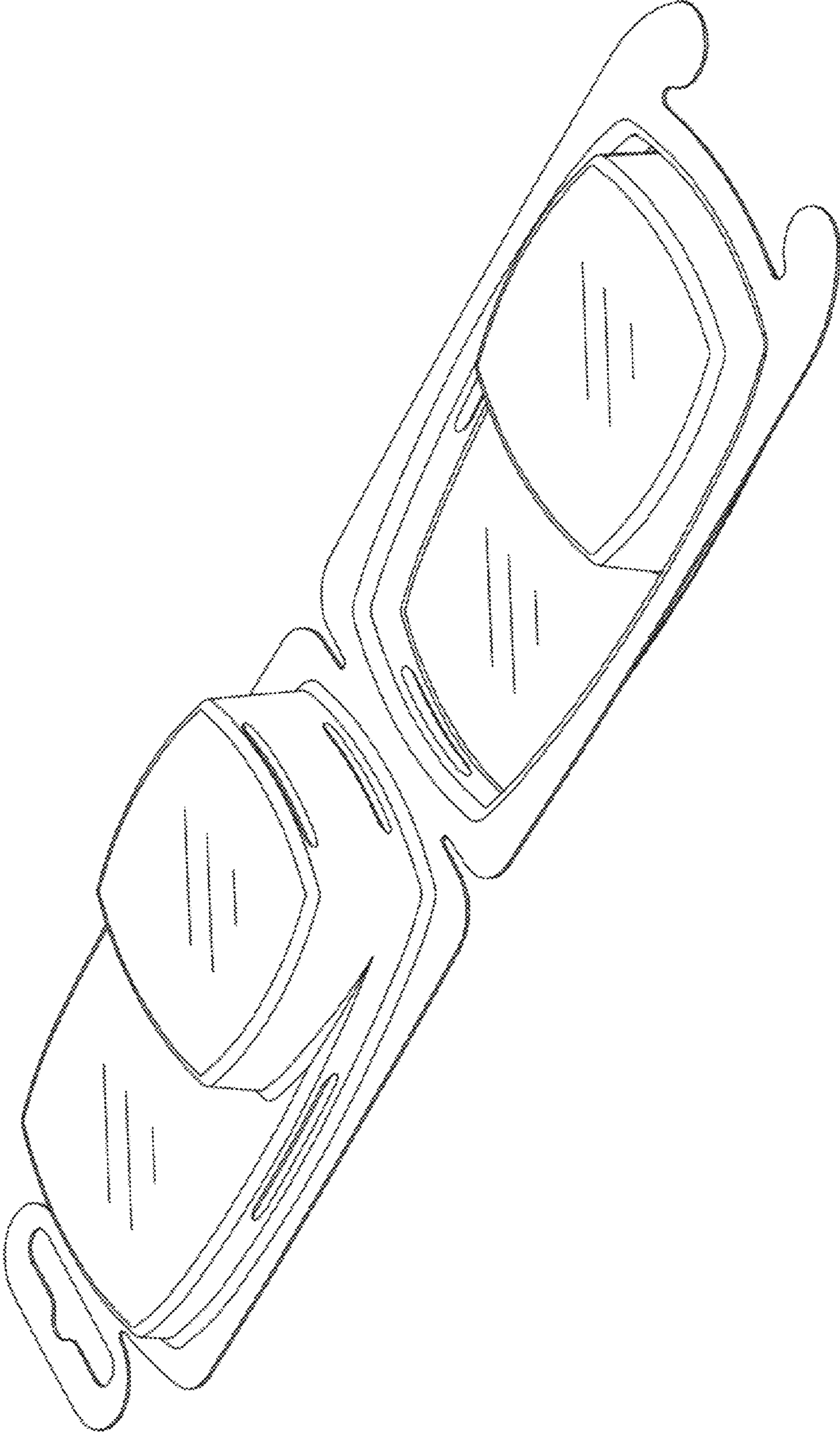


Fig. 9

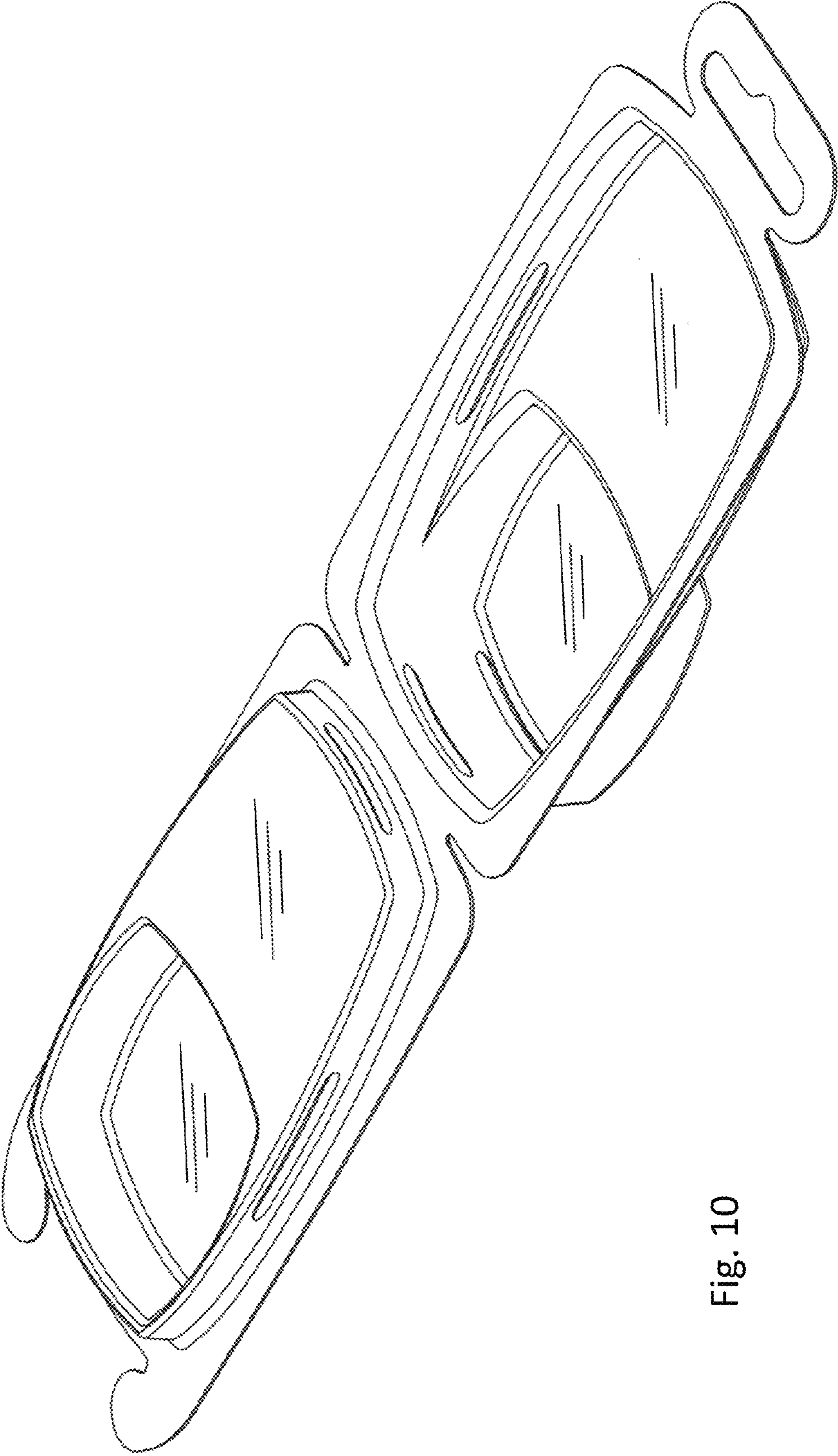


Fig. 10

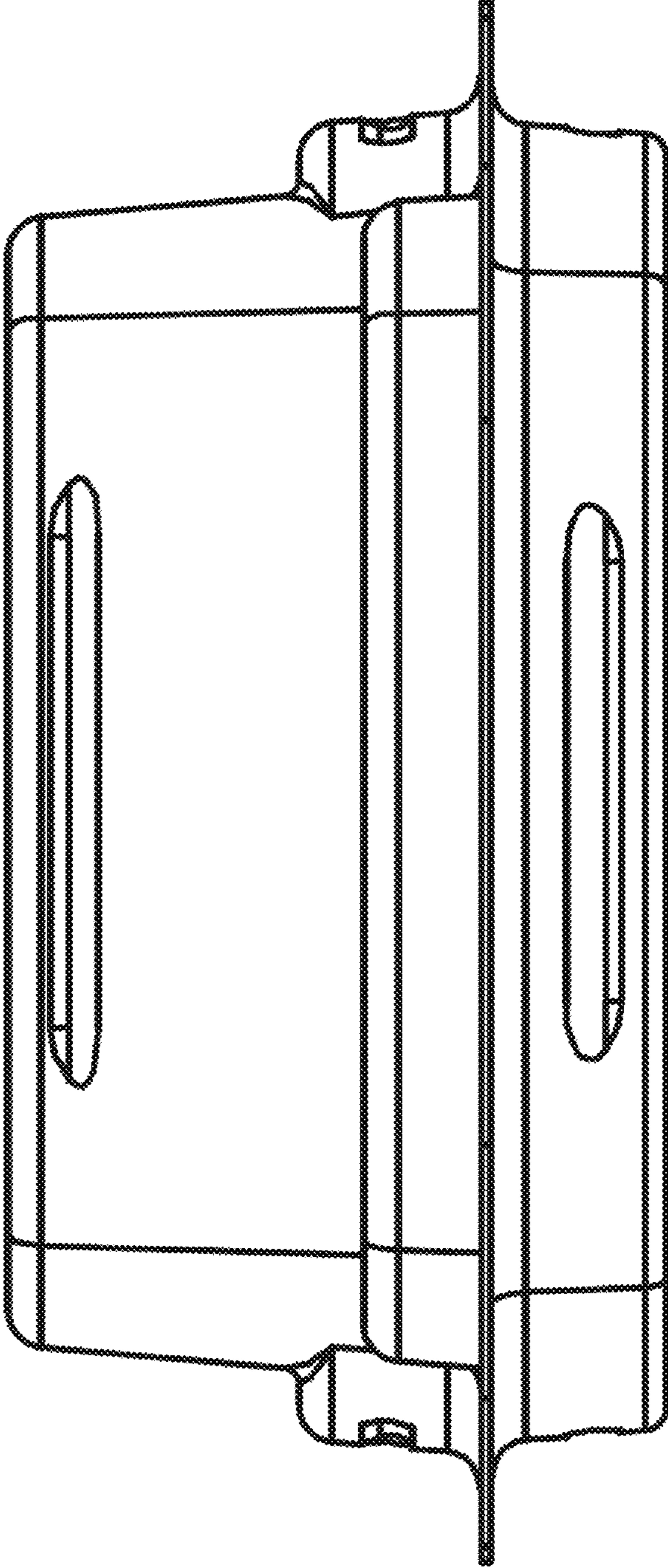


Fig. 11

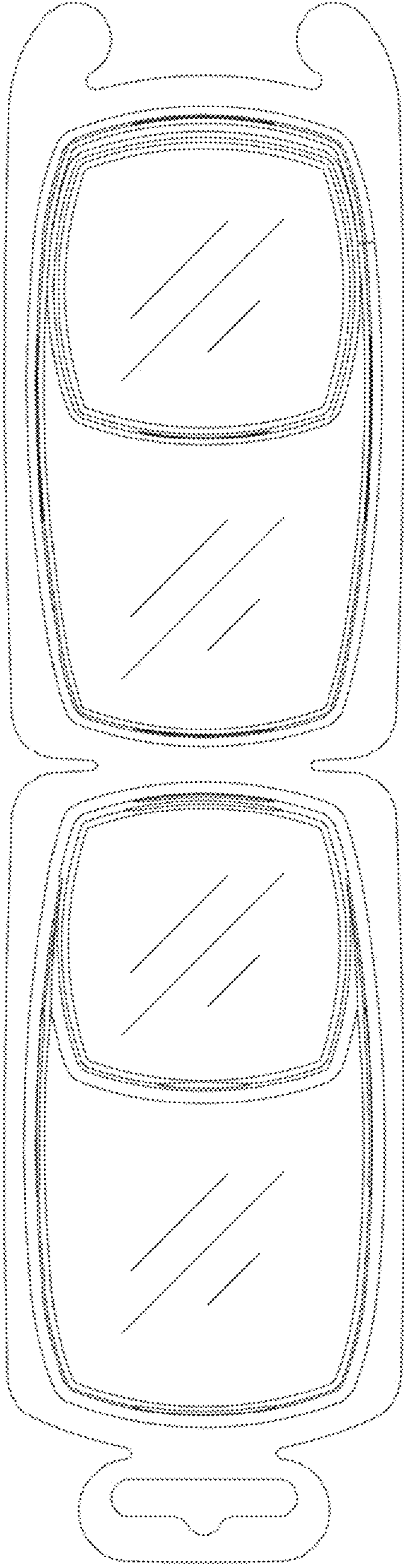


Fig. 12

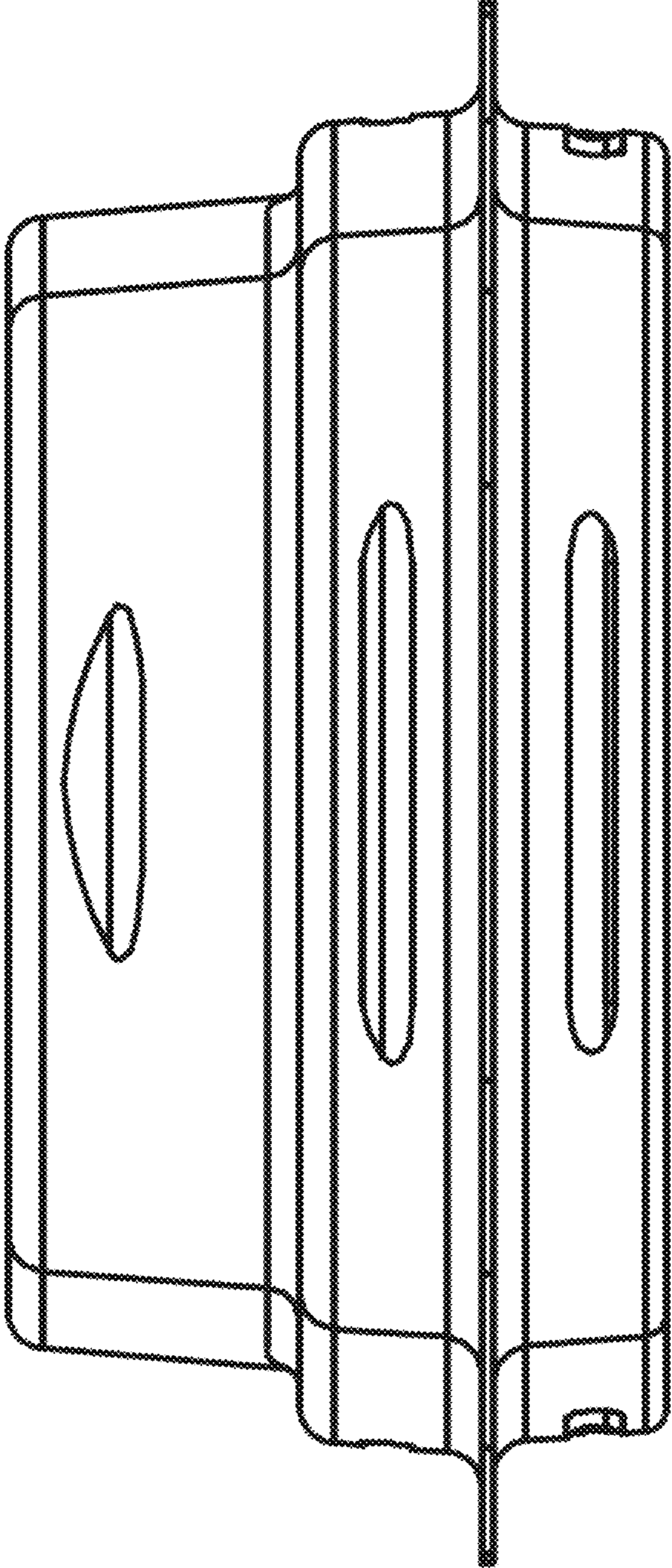


Fig. 13

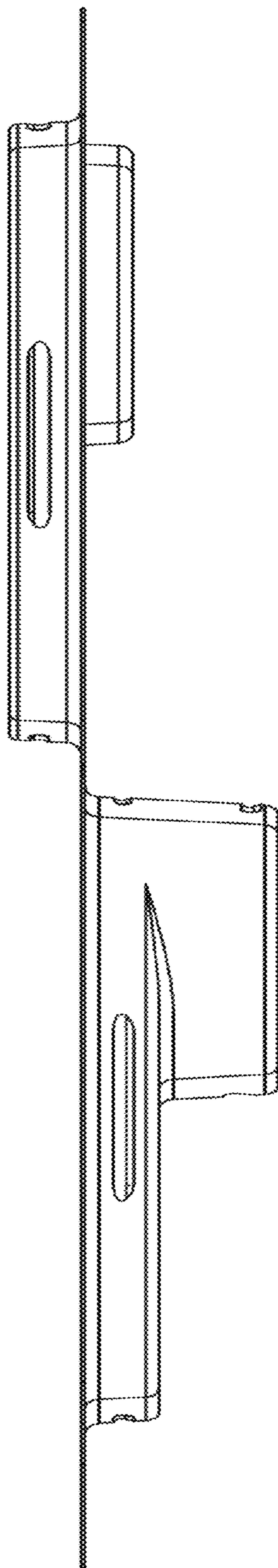


Fig. 14

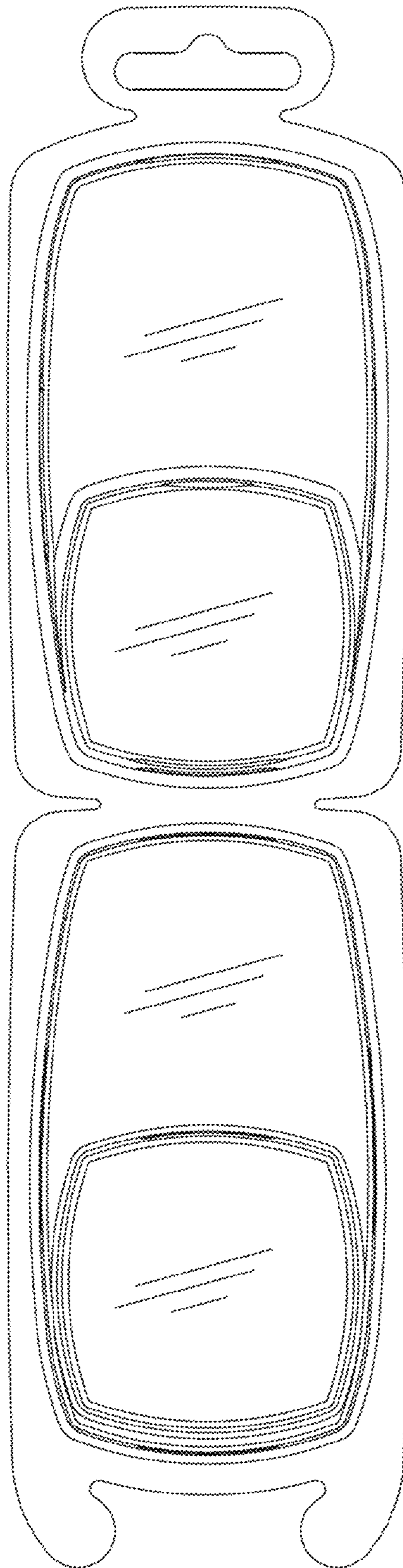


Fig. 15

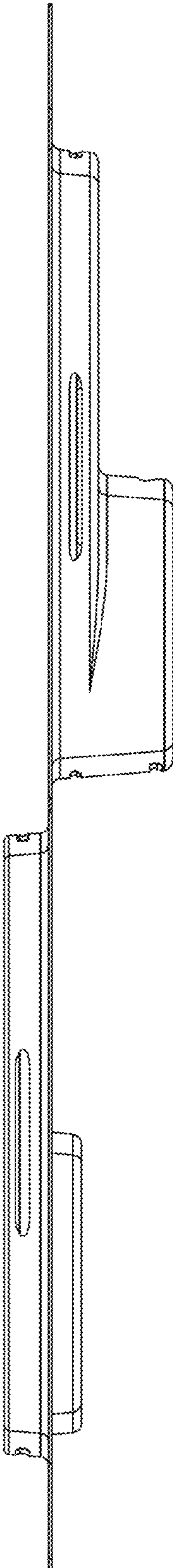


Fig. 16