



US00D745379S

(12) **United States Design Patent**
Lindsay et al.

(10) **Patent No.:** **US D745,379 S**

(45) **Date of Patent:** **** Dec. 15, 2015**

(54) **SUSPENSION FILE SUPPORT MEMBER**

(71) Applicant: **SISTEMA PLASTICS LIMITED,**
Auckland (NZ)

(72) Inventors: **Brendan Jon Lindsay,** Auckland (NZ);
Saleh Ghiyath, Auckland (NZ)

(73) Assignee: **SISTEMA PLASTICS LIMITED,**
Auckland (NZ)

(**) Term: **14 Years**

(21) Appl. No.: **29/481,264**

(22) Filed: **Feb. 3, 2014**

(30) **Foreign Application Priority Data**

Aug. 20, 2013 (NZ) 417951

(51) **LOC (10) Cl.** **08-05**

(52) **U.S. Cl.**
USPC **D8/373**

(58) **Field of Classification Search**
USPC D8/367, 372, 373, 349, 354, 380, 499;
D19/65, 75, 86, 90, 91, 92, 99, 100
CPC B42F 15/00; B42F 15/007; B42F 15/0082;
B42F 15/0088; B42F 15/0094; B42F 15/0029;
B42F 15/0035; B42F 15/0041
See application file for complete search history.

(56) **References Cited**

U.S. PATENT DOCUMENTS

3,281,193 A * 10/1966 Murray 312/184
3,682,522 A * 8/1972 Splan 312/184
3,724,920 A 4/1973 Beck
3,938,870 A * 2/1976 Guest et al. 312/184
4,091,933 A * 5/1978 Alexander 211/204
6,123,479 A * 9/2000 Dumke 402/4
6,168,247 B1 * 1/2001 Stahmer et al. 312/183

6,811,041 B1 11/2004 Juliano
D557,120 S * 12/2007 Snell et al. D8/372
D707,110 S * 6/2014 Veilleux D8/367
2008/0053855 A1 3/2008 Ben-Or
2008/0312054 A1 12/2008 Boland
2009/0066202 A1* 3/2009 Meltzer 312/184
2011/0042532 A1* 2/2011 Nash et al. 248/205.1

FOREIGN PATENT DOCUMENTS

CH 357706 A * 10/1961 B42F 15/0088
DE 20302930 U1 8/2004
FR 1222277 A * 6/1960 B42F 15/0088
FR 2798886 A1 3/2001
GB 2300153 A * 10/1996 B42F 15/00
NL 9401642 A * 5/1996 B42F 15/0088

* cited by examiner

Primary Examiner — Sheryl Lane

Assistant Examiner — Ieisha Price

(74) *Attorney, Agent, or Firm* — Morrison & Foerster LLP

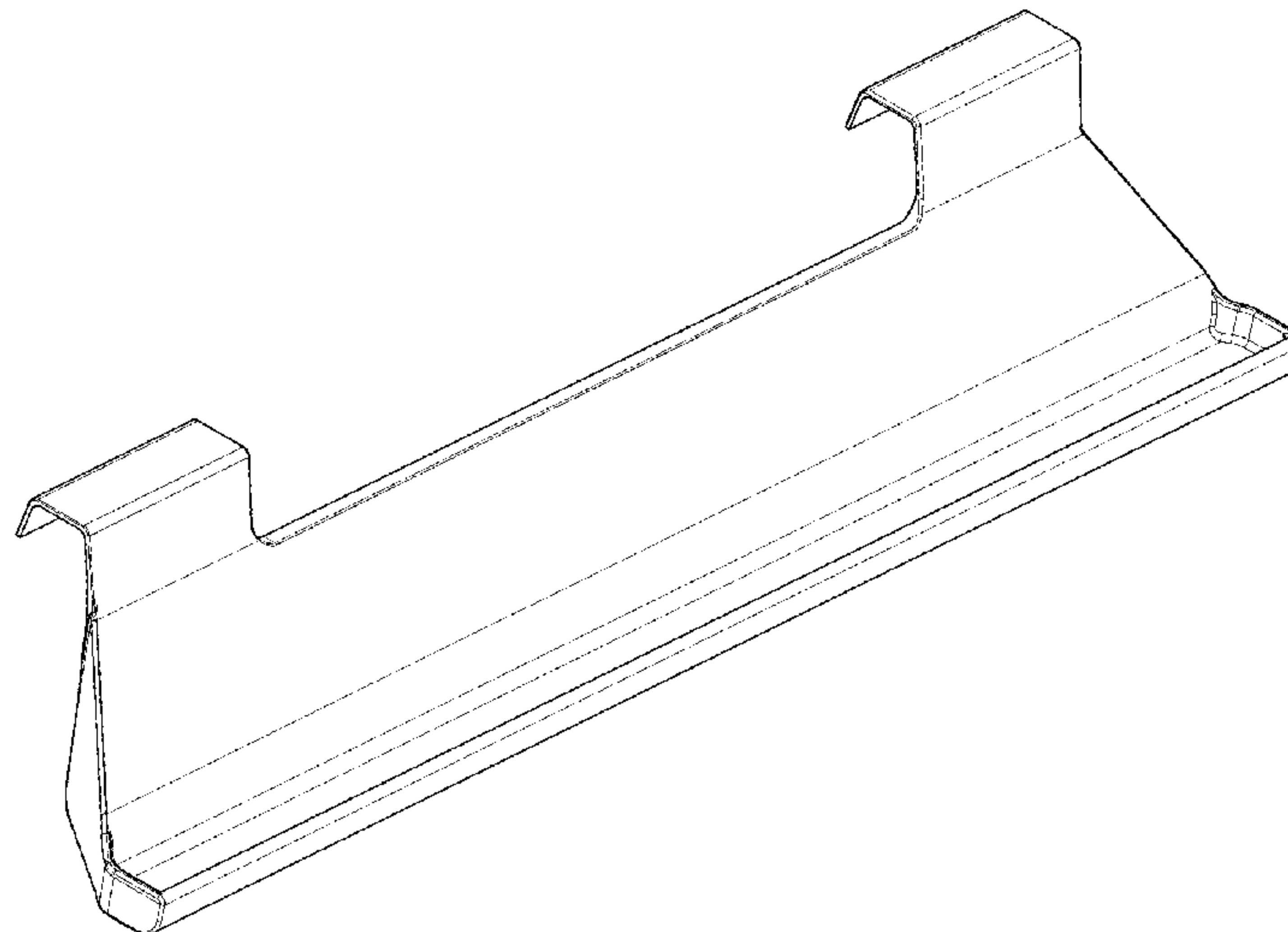
(57) **CLAIM**

The ornamental design for a suspension file support member, as shown and described.

DESCRIPTION

FIG. 1 is a front perspective view of an a suspension file support member;
FIG. 2 is a rear perspective view thereof;
FIG. 3 is a rear view thereof;
FIG. 4 is a front view thereof;
FIG. 5 is a bottom view thereof;
FIG. 6 is a top view thereof;
FIG. 7 is a right side view thereof; and,
FIG. 8 is a left side view thereof.
The broken lines in the drawings illustrate portions of the suspension file support member and form no part of the claimed design.

1 Claim, 7 Drawing Sheets



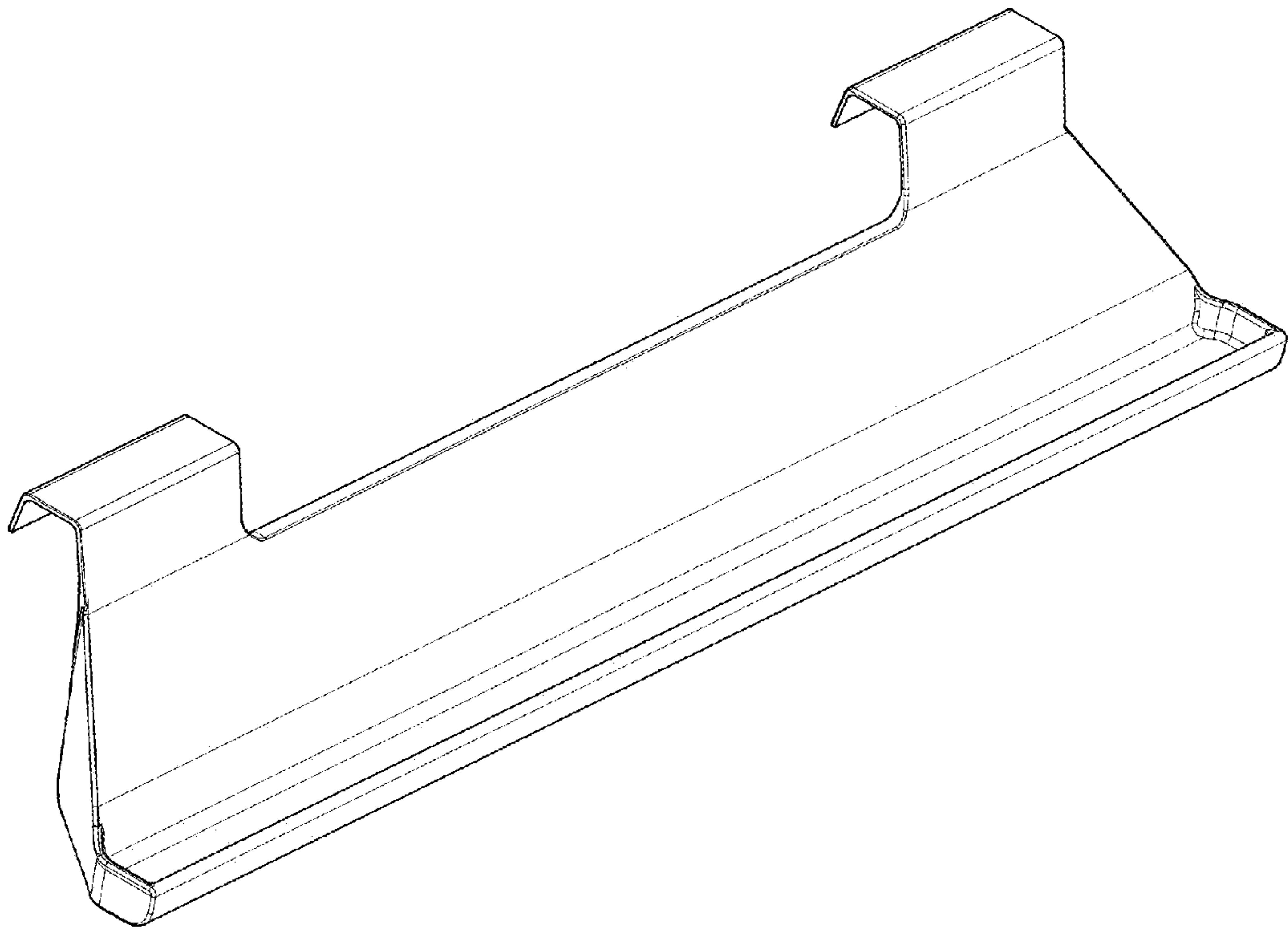


FIG. 1

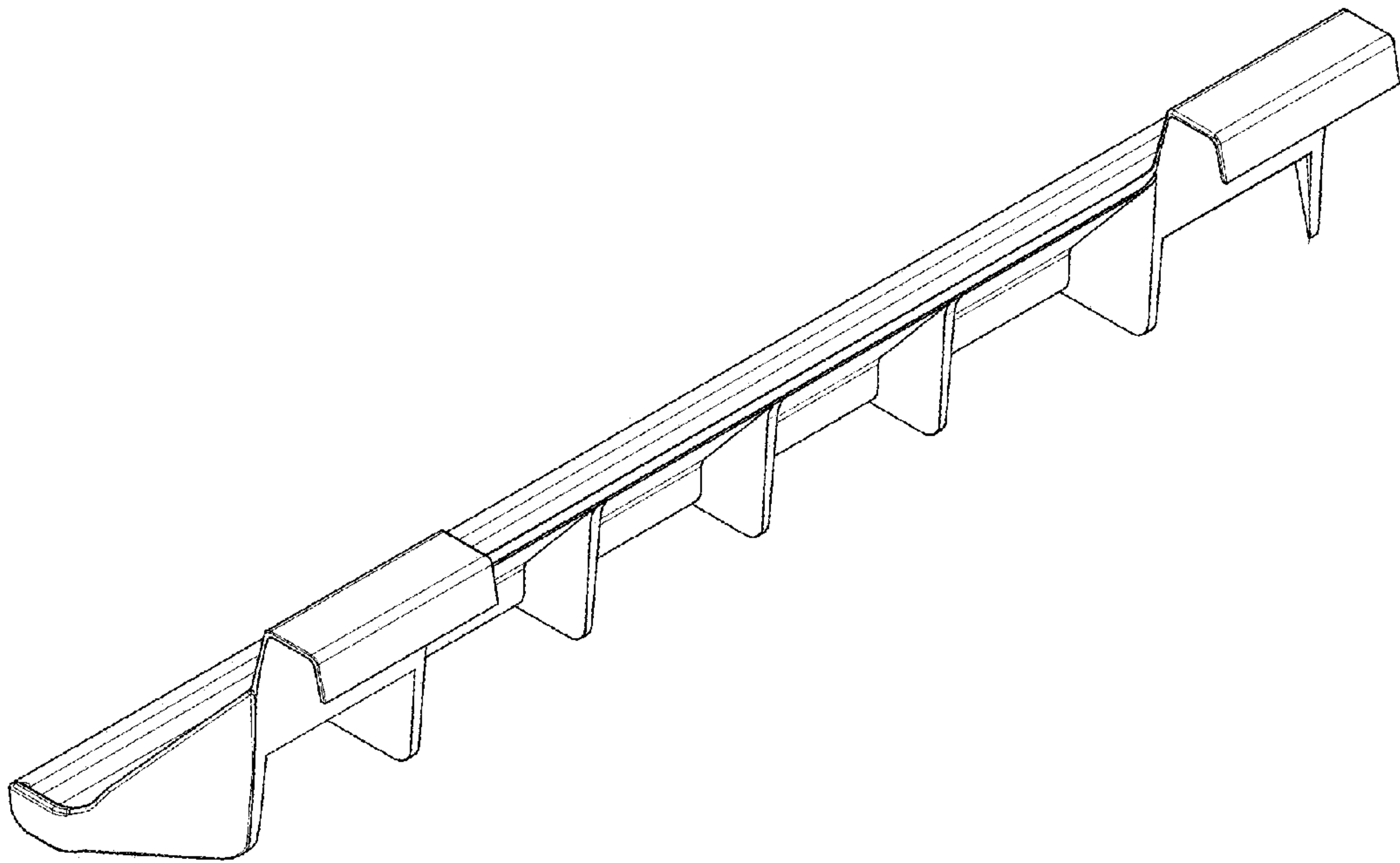


FIG. 2

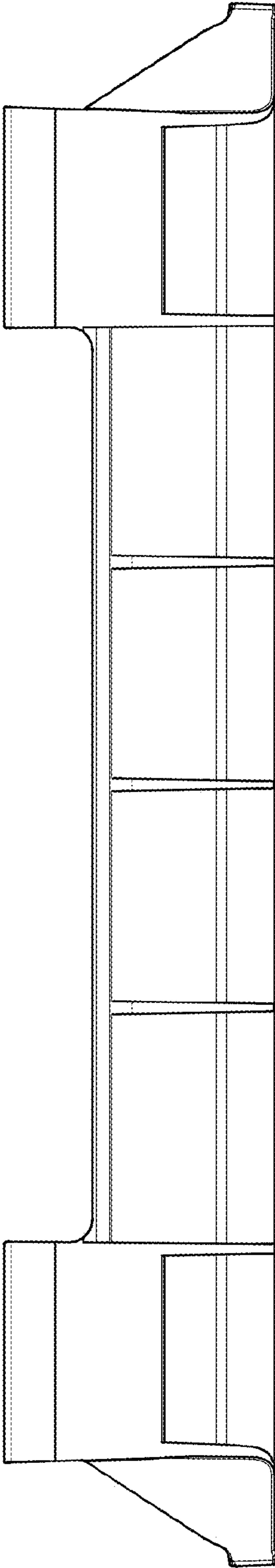


FIG. 3

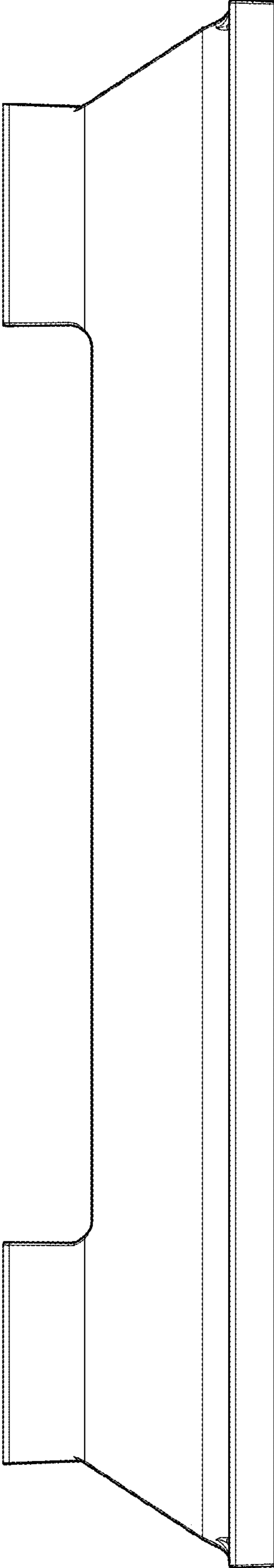


FIG. 4

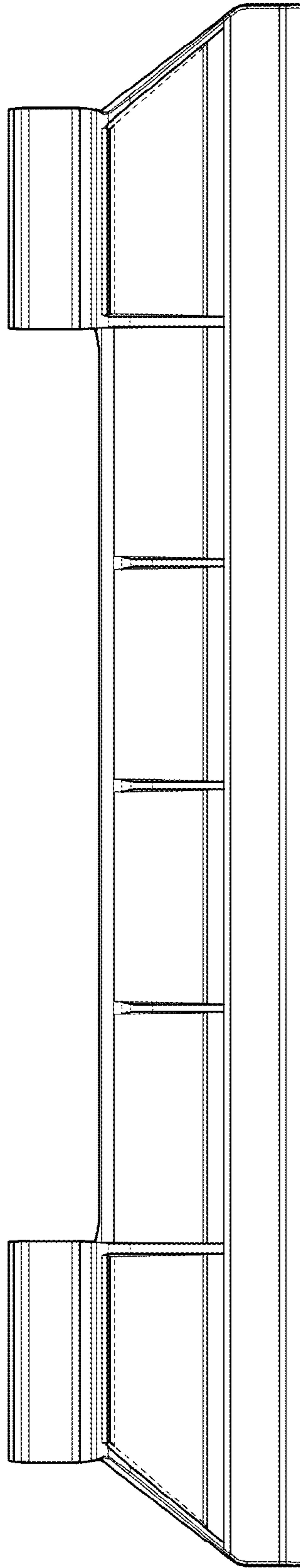


FIG. 5

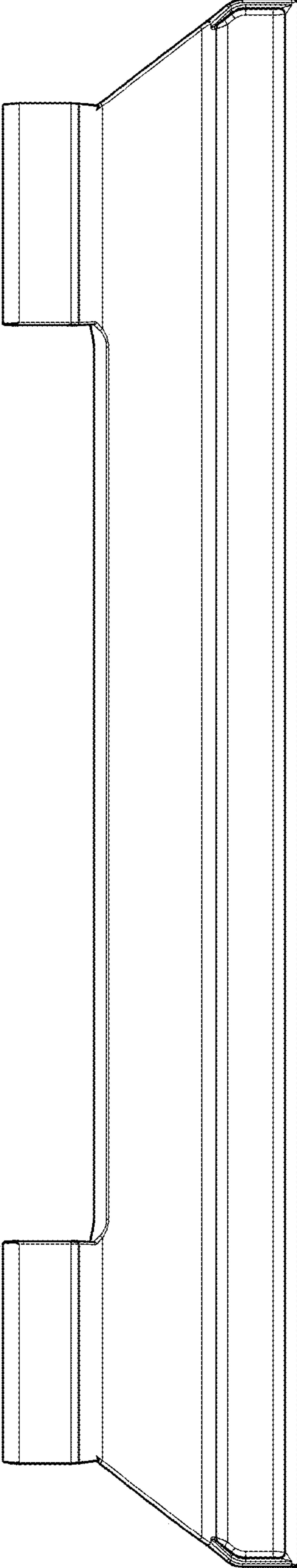


FIG. 6

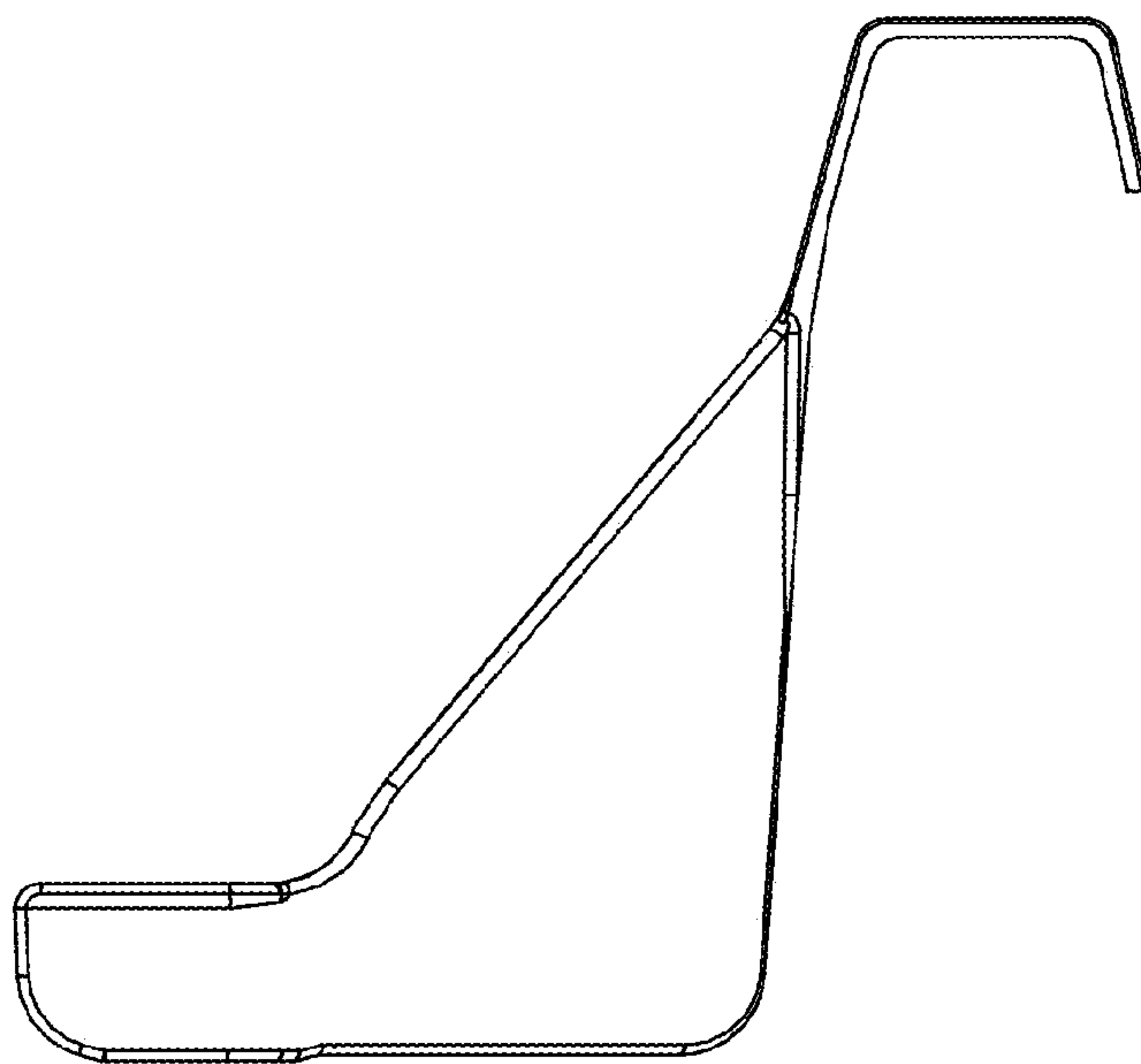


FIG. 7

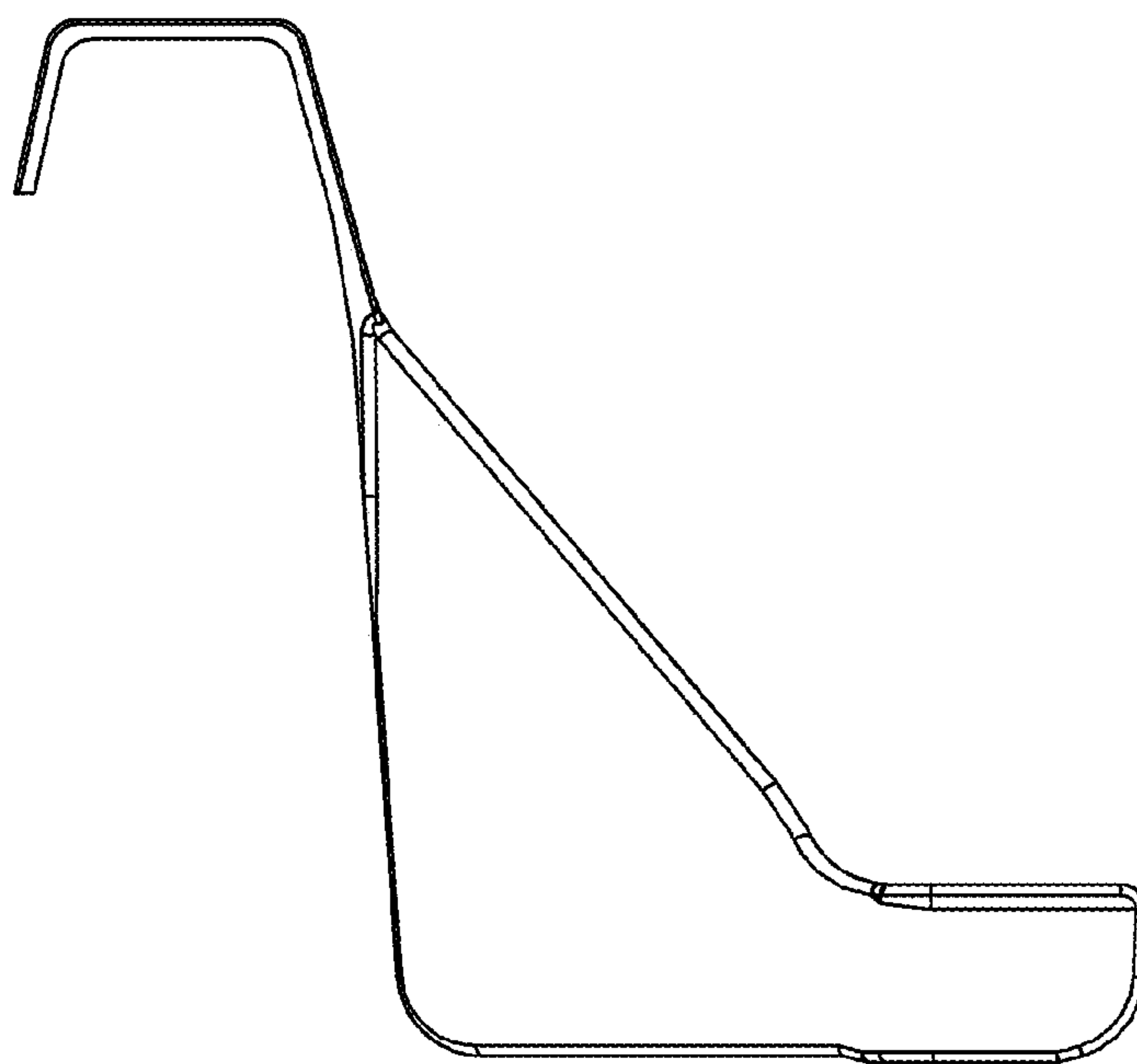


FIG. 8