



US00D745378S

(12) **United States Design Patent**
Kusmirek

(10) **Patent No.:** **US D745,378 S**

(45) **Date of Patent:** **** Dec. 15, 2015**

(54) **HOLDER FOR A PEG BOARD-MOUNTED STRUCTURE**

(71) Applicant: **Edward Kusmirek**, Renton, WA (US)

(72) Inventor: **Edward Kusmirek**, Renton, WA (US)

(**) Term: **14 Years**

(21) Appl. No.: **29/488,958**

(22) Filed: **Apr. 24, 2014**

(51) **LOC (10) Cl.** **08-05**

(52) **U.S. Cl.**
USPC **D8/370**

(58) **Field of Classification Search**

USPC D8/16, 17, 18, 19, 20, 26, 363, 366,
D8/370-377, 380-382; D23/223, 257,
D23/238, 252; D6/323; D26/87; D19/113;
D20/10, 42, 99; D9/455, 499

CPC B25H 3/04; A47B 47/05; A47B 55/02;
A47B 57/20; G09F 7/00; G09F 7/18

See application file for complete search history.

(56) **References Cited**

U.S. PATENT DOCUMENTS

1,764,833	A *	6/1930	Forget	24/546
D177,348	S *	4/1956	Reich	D8/372
D258,138	S *	2/1981	Wood	D8/370
D423,916	S *	5/2000	Kalat	D8/370
D465,997	S *	11/2002	Kalat	D8/370
D494,048	S *	8/2004	Goodman et al.	D8/372
D645,731	S *	9/2011	Williams	D8/370
D661,978	S *	6/2012	Holechek	D8/370
D677,093	S *	3/2013	Benjamin	D6/570
D722,462	S *	2/2015	Callahan	D6/682.6

* cited by examiner

Primary Examiner — Robert M Spear

Assistant Examiner — Eliza Bennett-Hattan

(74) *Attorney, Agent, or Firm* — Lane Powell PC; John R. Dawson, Esq.

(57) **CLAIM**

The ornamental design for a holder for a peg board-mounted structure, as shown and described.

DESCRIPTION

FIG. 1 is a top, right, isometric view of a holder for a peg board-mounted structure showing possible installation on a structure mounted to a peg board, both of which are shown in broken lines;

FIG. 2 is a top plan view of the holder of FIG. 1 taken along arrows 2-2 in FIG. 1 showing a possible engaged position in a hole of a peg board, which is shown in broken lines;

FIG. 3 is a top, right isometric view of the holder of FIG. 2 showing a possible disengaged position;

FIG. 4 is a front, plan view of the holder of FIG. 3;

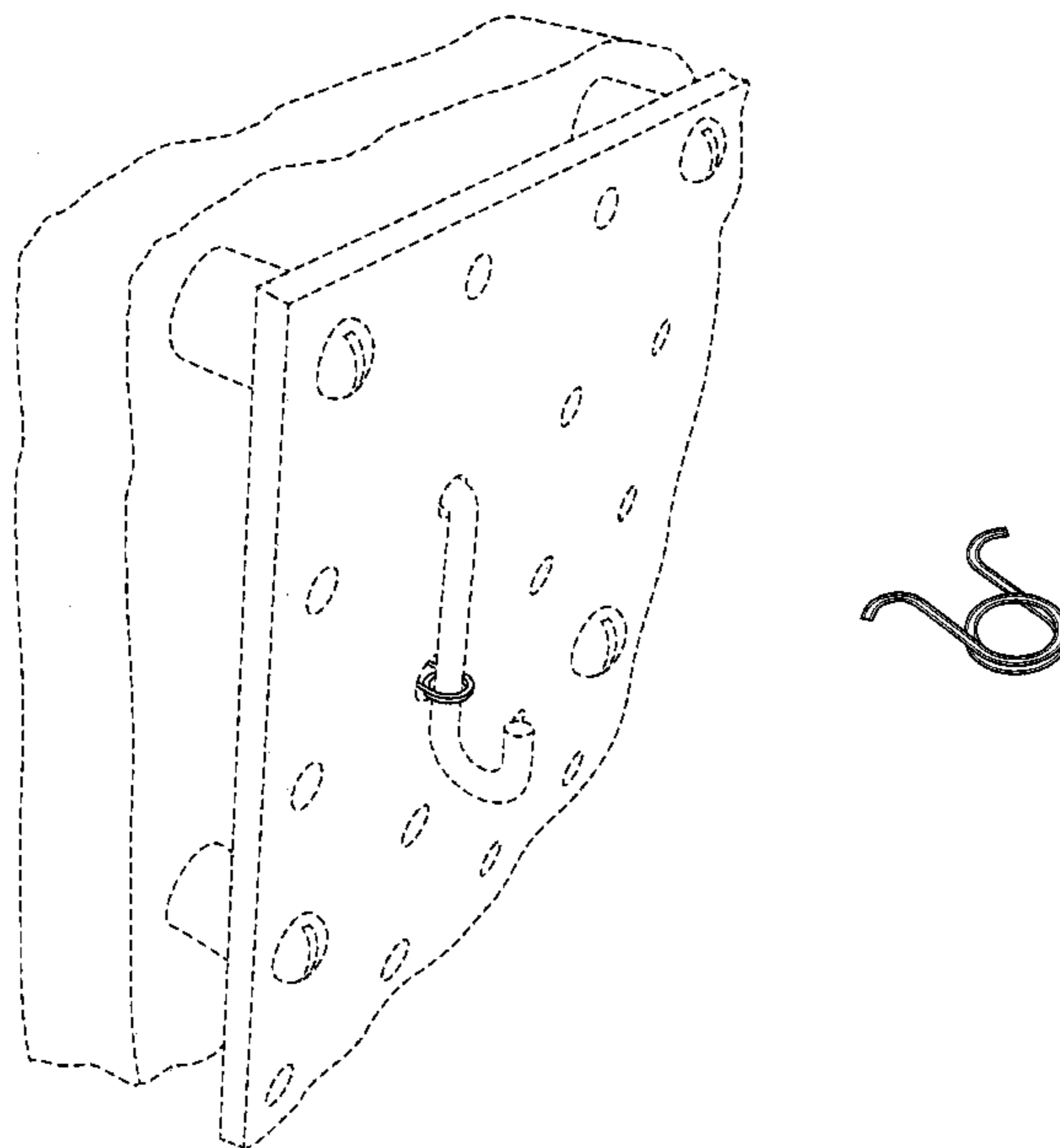
FIG. 5 is a top, plan view of the holder of FIG. 4;

FIG. 6 is a back, plan view of the holder of FIG. 5; and,

FIG. 7 is a right side view of the holder of FIG. 5, the left side view being a mirror image thereof.

Structures shown in broken lines such as a peg board (FIGS. 1 & 2), a peg board-mounted structure such as the hook shown in FIGS. 1 and 2, and exemplar fasteners for securing the peg board to a surface (FIG. 1) depicts environmental subject matter only and form no part of the claimed design. Arrows and nomenclature in FIG. 1 demarking the view shown in FIG. 2 form no part of the claimed design.

1 Claim, 2 Drawing Sheets



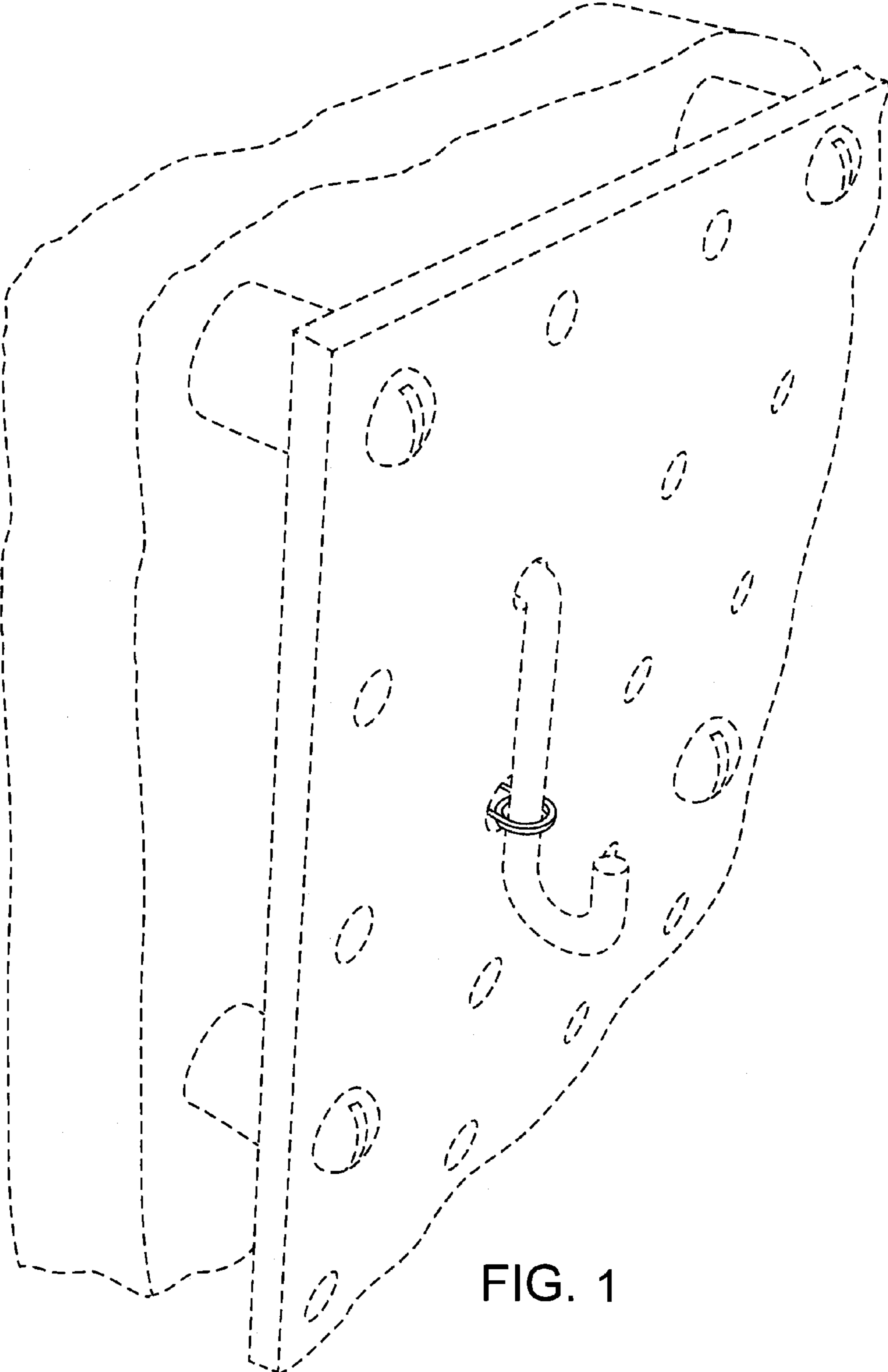


FIG. 1

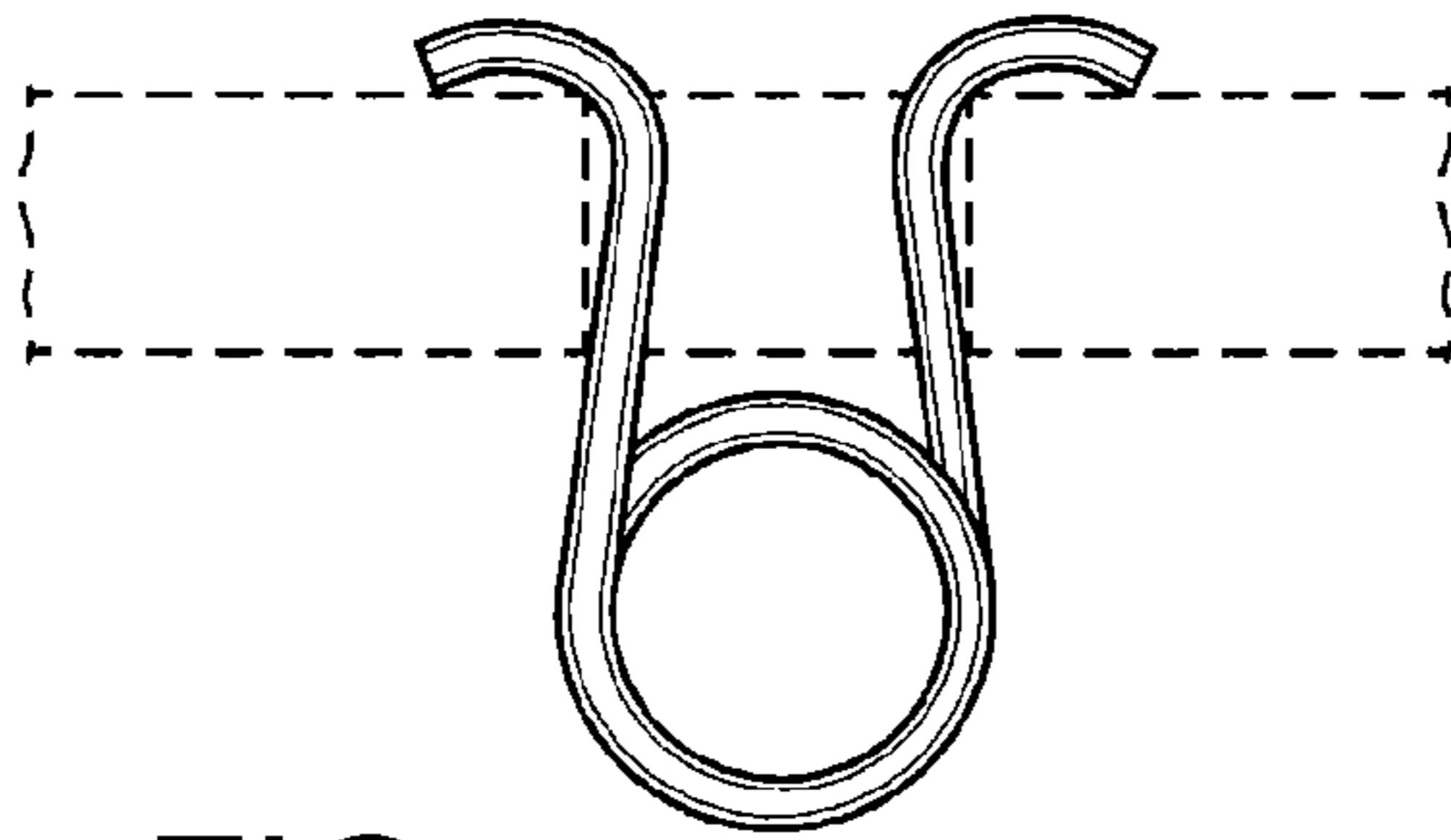


FIG. 2

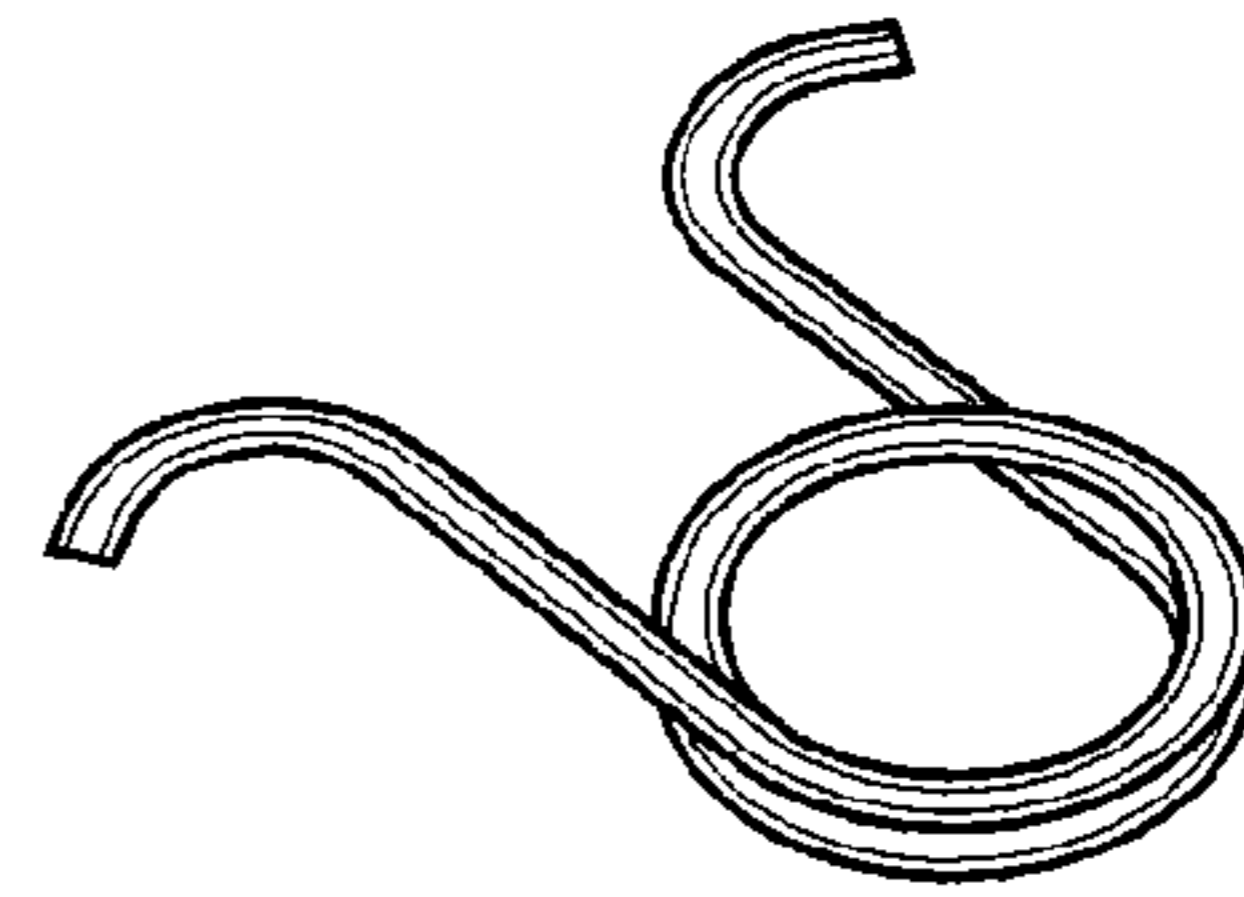


FIG. 3



FIG. 4

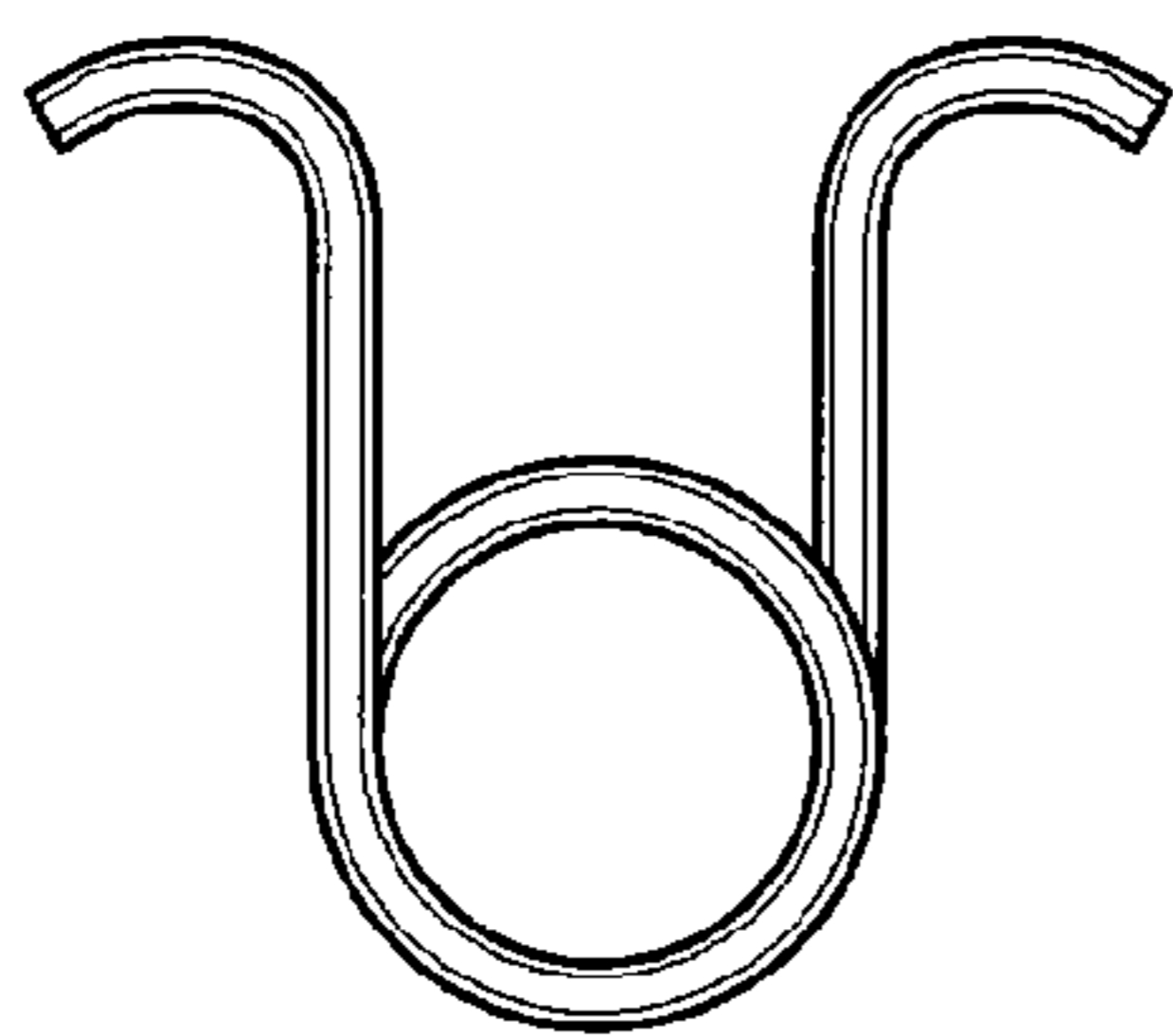


FIG. 5

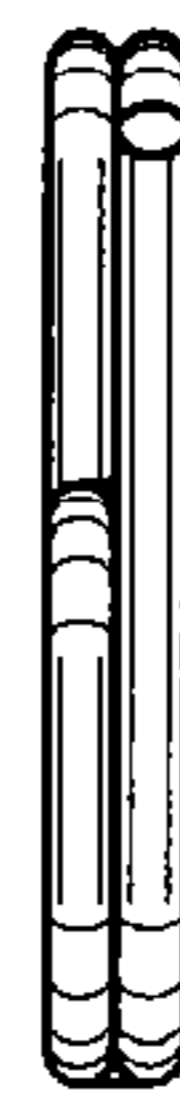


FIG. 7

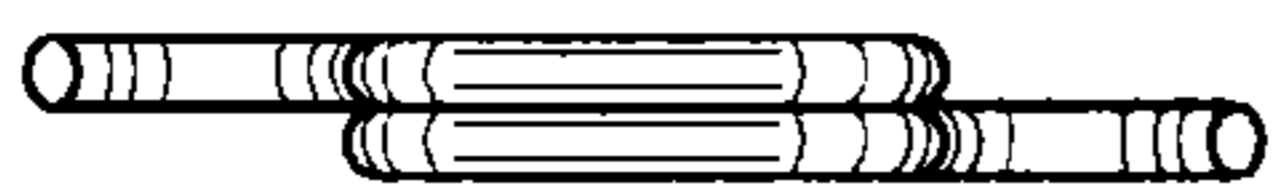


FIG. 6