



US00D745377S

(12) **United States Design Patent**
Ressler et al.

(10) **Patent No.:** **US D745,377 S**
(45) **Date of Patent:** **** Dec. 15, 2015**

- (54) **SUSPENSION CLIP**
- (71) Applicant: **Dutch Clips LLC**, Reinholds, PA (US)
- (72) Inventors: **Thomas Ressler**, Reinholds, PA (US);
Giovanni Day, Paducah, KY (US)
- (73) Assignee: **Dutch Clips LLC**, Reinholds, PA (US)
- (**) Term: **14 Years**
- (21) Appl. No.: **29/512,131**
- (22) Filed: **Dec. 17, 2014**
- (51) **LOC (10) CL.** **08-05**
- (52) **U.S. CL.**
USPC **D8/367**
- (58) **Field of Classification Search**
USPC D8/367, 354, 349; D6/323; 248/301
CPC F16B 2/00; A63B 27/00
See application file for complete search history.

- D535,111 S * 1/2007 Giampavolo D6/328
- D570,204 S * 6/2008 Alfonso D8/395
- D605,417 S * 12/2009 Warren et al. D6/328
- D607,298 S * 1/2010 Lucas D8/98
- D635,844 S * 4/2011 Boothby D8/367
- D694,613 S * 12/2013 Miles D8/367

* cited by examiner

Primary Examiner — Cynthia Underwood
(74) *Attorney, Agent, or Firm* — Barley Snyder

(57) **CLAIM**
The ornamental suspension clip design, as shown and described.

DESCRIPTION

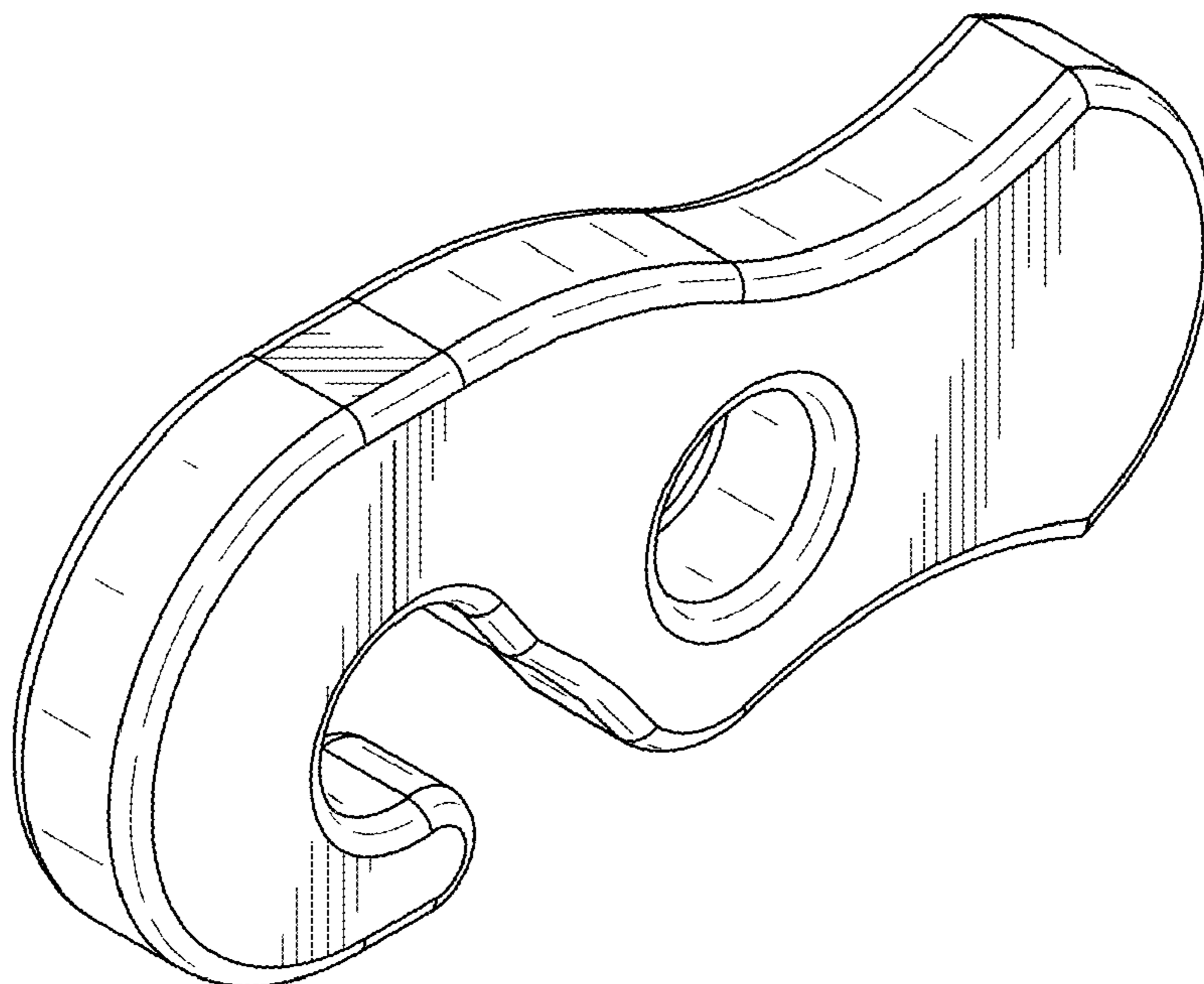
FIG. 1 is a front, top and right side perspective view of a suspension clip;
 FIG. 2 is a rear, top and right side perspective view of a suspension clip;
 FIG. 3 is a front elevation view thereof;
 FIG. 4 is a rear elevation view thereof;
 FIG. 5 is a top plan view thereof;
 FIG. 6 is a right side elevation view thereof;
 FIG. 7 is a bottom plan view thereof;
 FIG. 8 is a left side elevation view thereof;
 FIG. 9 is rear, bottom and right side perspective view of the suspension clip; and,
 FIG. 10 is front, bottom and left side perspective view of the suspension clip.

1 Claim, 3 Drawing Sheets

(56) **References Cited**

U.S. PATENT DOCUMENTS

- D201,776 S * 7/1965 Woodard D28/8.1
- D234,946 S * 4/1975 Fredrik D8/367
- D247,693 S * 4/1978 Lee D3/18
- D423,914 S * 5/2000 Klein et al. D8/367
- D427,506 S * 7/2000 Smith D8/367
- D455,642 S * 4/2002 Kelleghan D8/367
- D533,362 S * 12/2006 Giampavolo D6/328



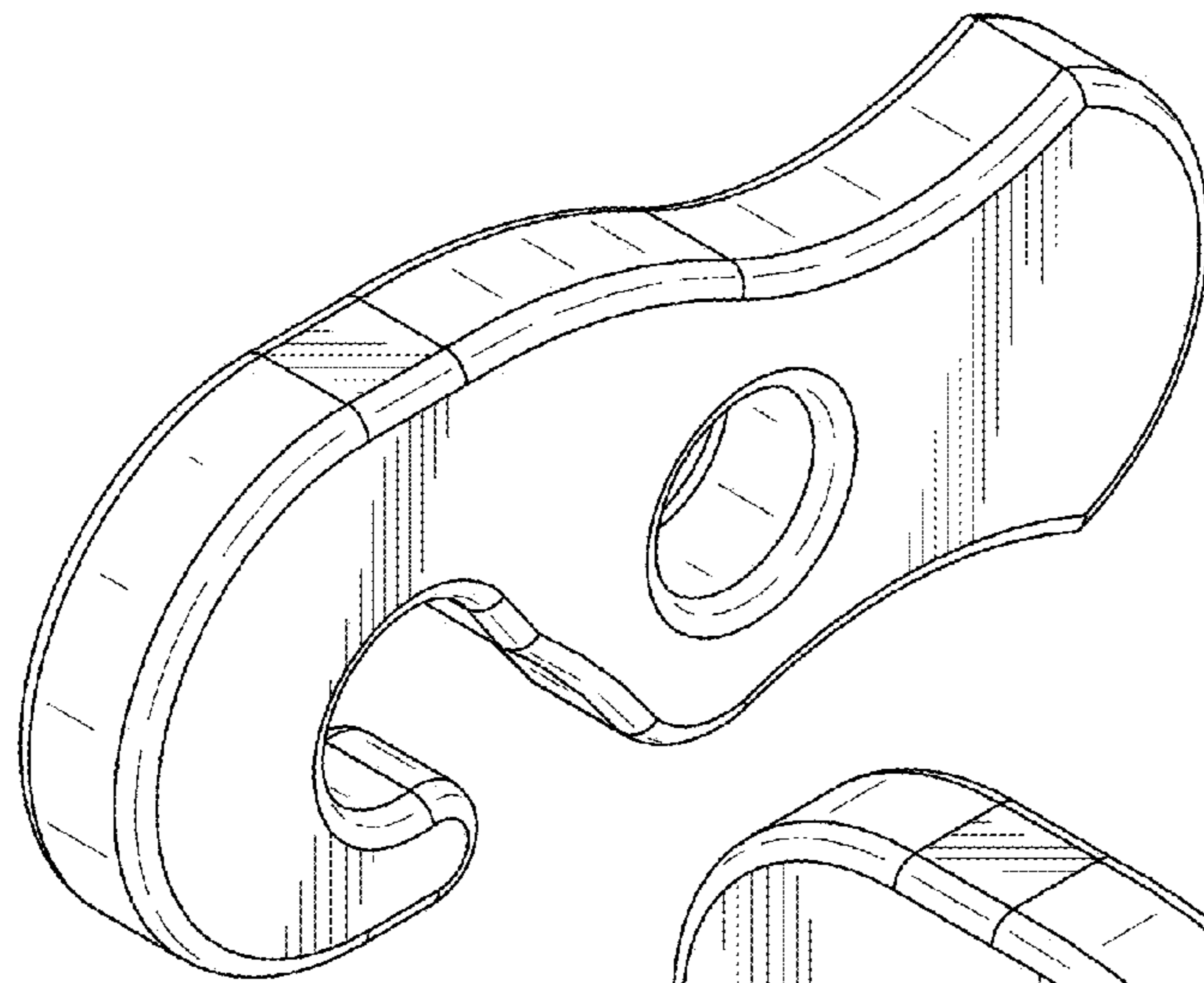


FIG. 1

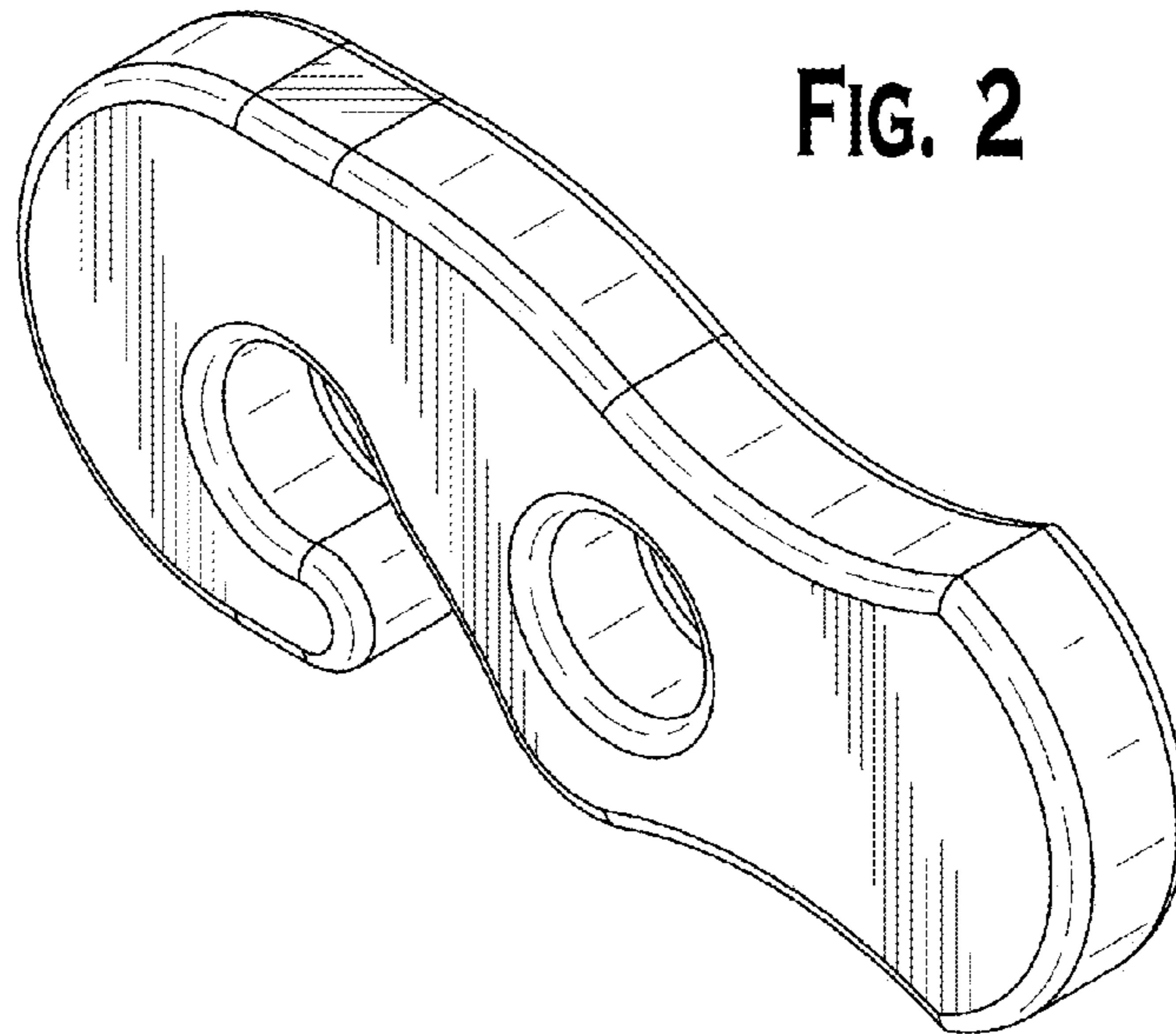


FIG. 2

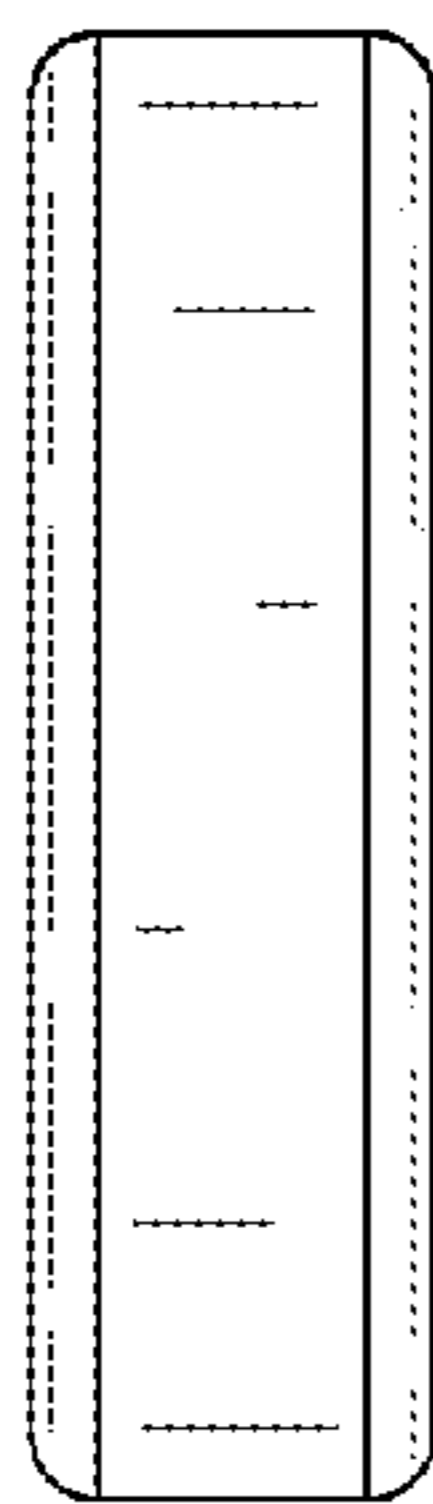


FIG. 3

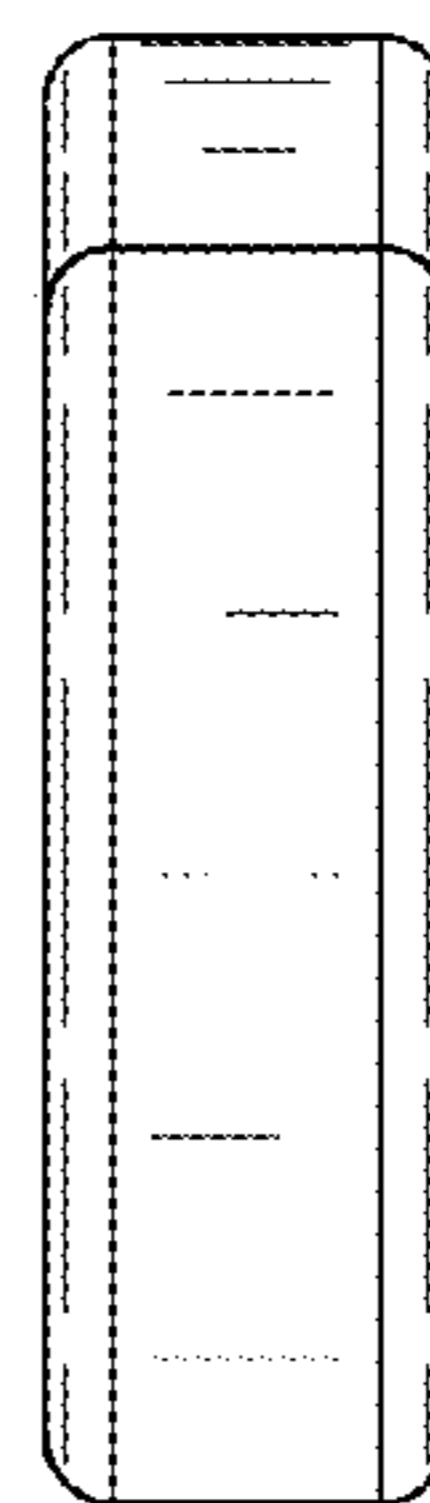


FIG. 4

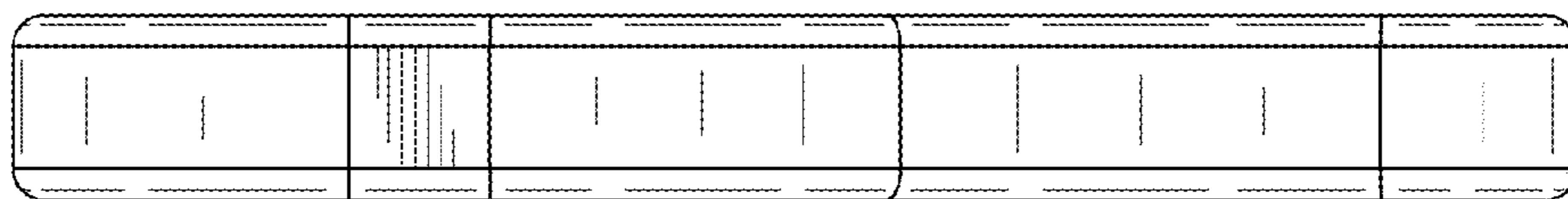


FIG. 5

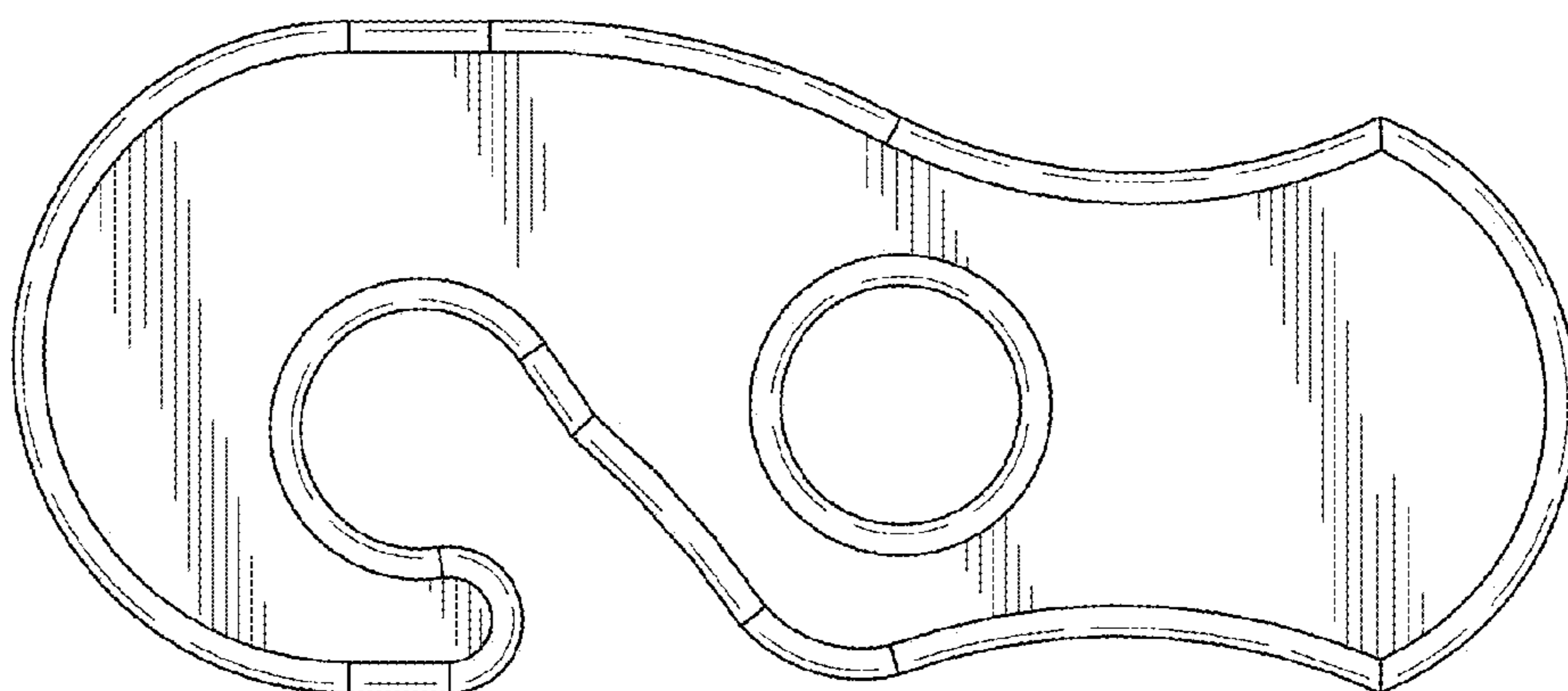


FIG. 6

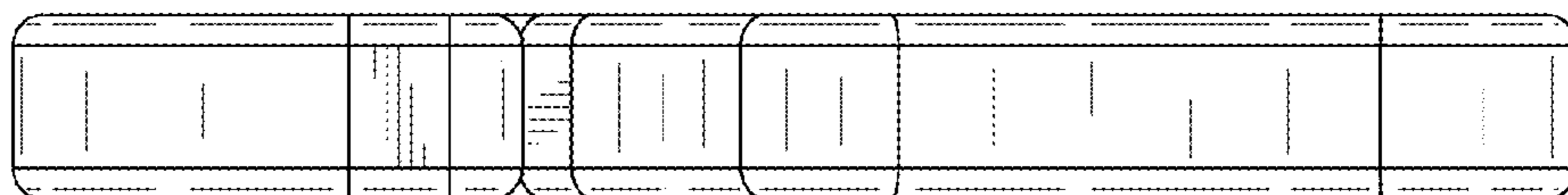


FIG. 7

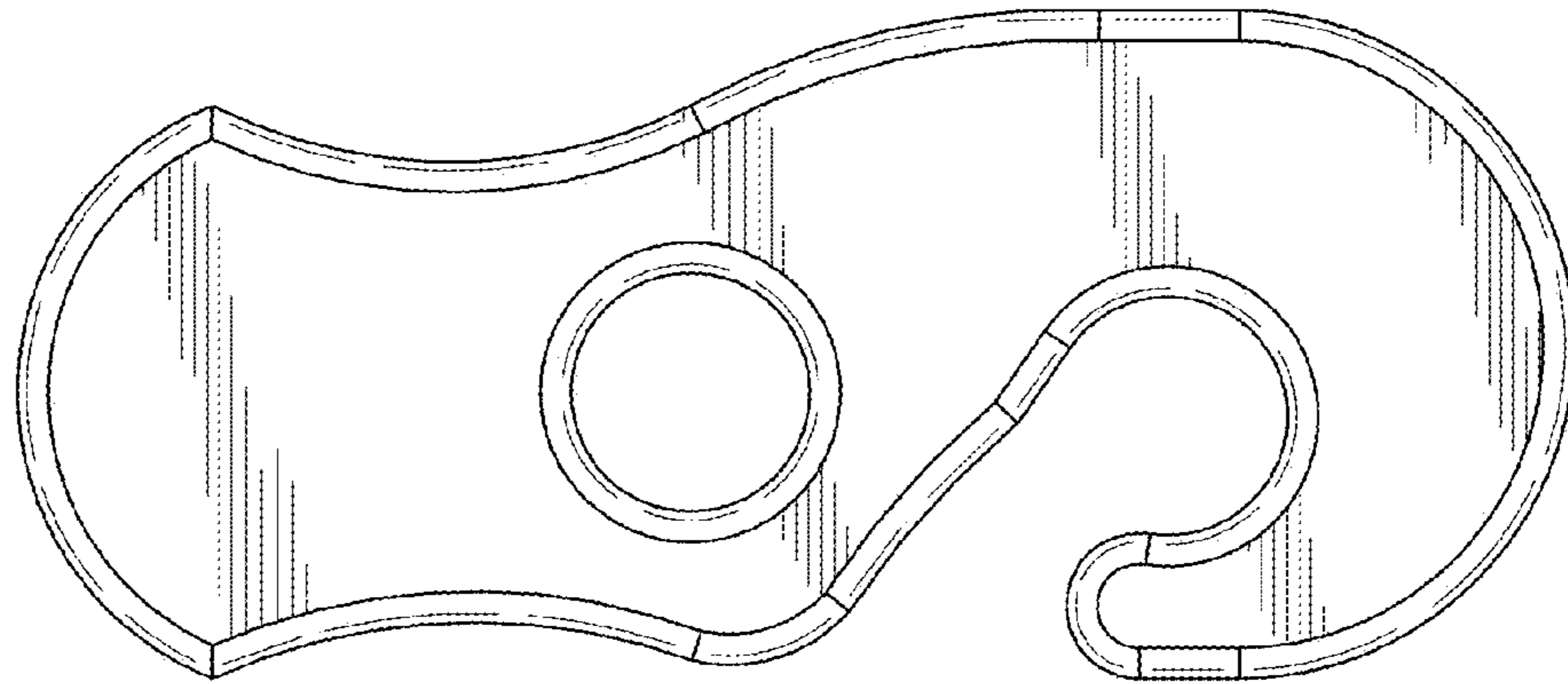


FIG. 8

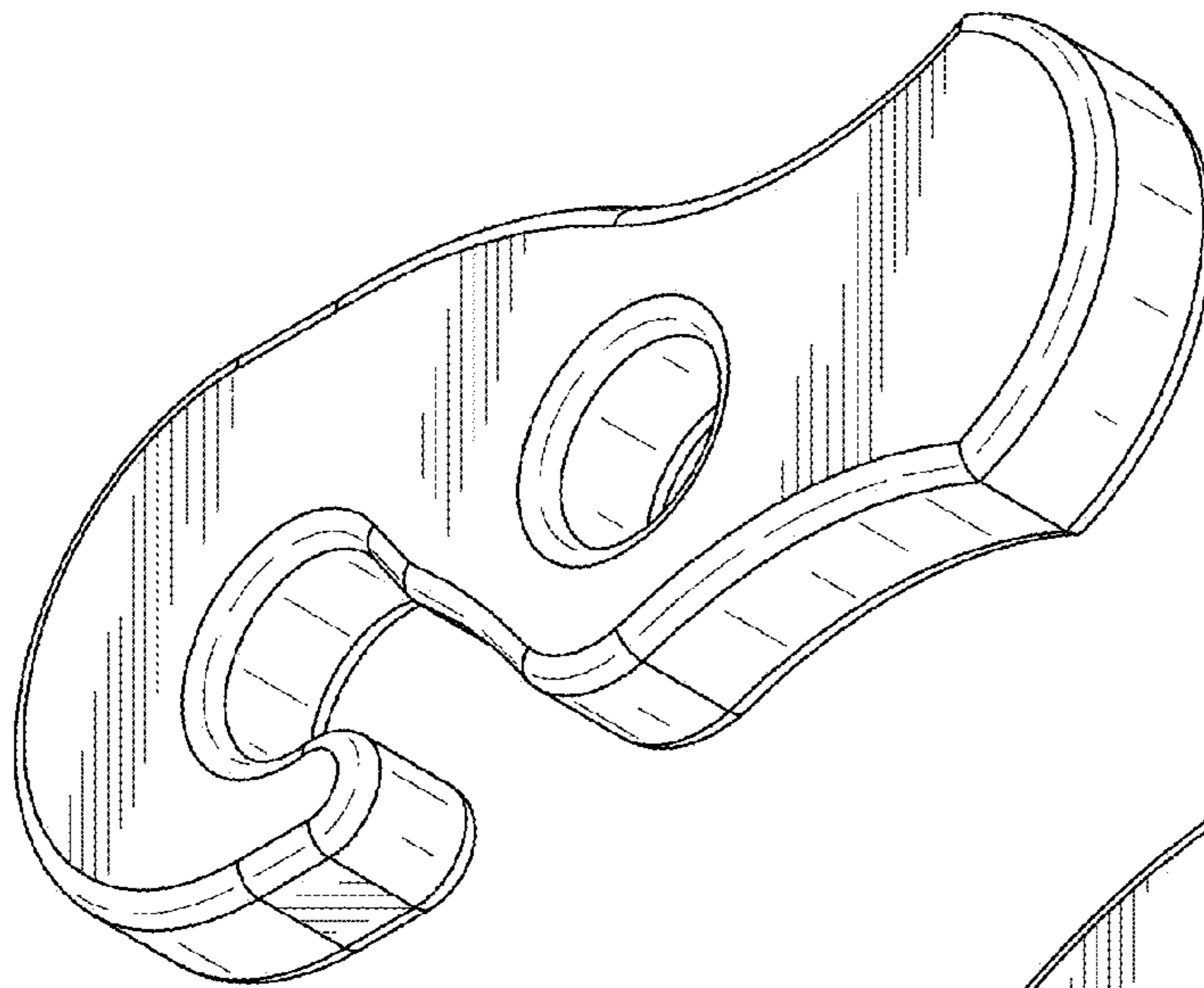


FIG. 9

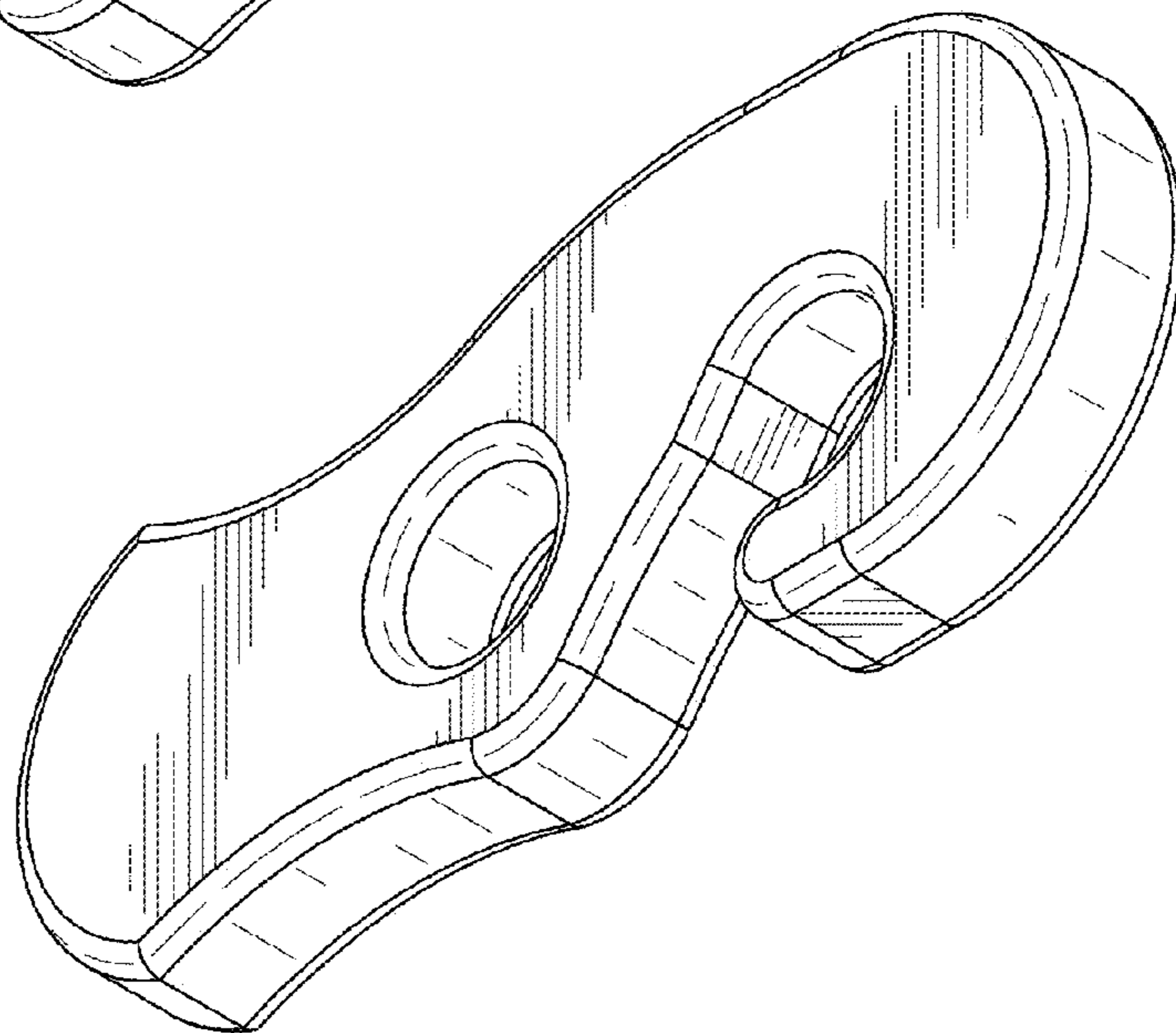


FIG. 10