

US00D745376S

(12) **United States Design Patent**
Butler

(10) **Patent No.:** **US D745,376 S**

(45) **Date of Patent:** **** Dec. 15, 2015**

(54) **CABLE SPACER**

(71) Applicant: **Kimberly Butler**, Champaign, IL (US)

(72) Inventor: **Kimberly Butler**, Champaign, IL (US)

(**) Term: **14 Years**

(21) Appl. No.: **29/497,654**

(22) Filed: **Jul. 26, 2014**

(51) **LOC (10) Cl.** **08-05**

(52) **U.S. Cl.**
USPC **D8/356**

(58) **Field of Classification Search**
USPC D8/367, 356, 349; D6/323; 248/301
CPC F16B 2/00; A63B 27/00
See application file for complete search history.

(56) **References Cited**

U.S. PATENT DOCUMENTS

2,934,587	A	4/1960	Duffy et al.
2,976,344	A	3/1961	Bethel
3,456,066	A	7/1969	Petze, Jr.
4,246,438	A	1/1981	Gozlan
4,562,982	A	1/1986	McSherry et al.
5,021,612	A	6/1991	Joffe
D347,991	S	6/1994	Barritt et al.
D358,545	S	5/1995	Price
5,460,862	A	10/1995	Roller

D453,103	S	*	1/2002	Tell	D8/356
6,360,051	B1	*	3/2002	Daoud	385/137
6,801,704	B1	*	10/2004	Daoud et al.	385/136
D618,985	S		7/2010	Sjoqvist		
D638,692	S	*	5/2011	Hoek	D8/356
D663,274	S		7/2012	Gretz		
D676,310	S	*	2/2013	Lowrance	D8/356
D691,875	S	*	10/2013	Ganski	D8/356
D691,878	S	*	10/2013	Ganski	D8/356
D733,535	S	*	7/2015	Egami	D8/356
2003/0132352	A1	*	7/2003	Weaver	248/68.1
2005/0189453	A1	*	9/2005	DeGuevara	248/68.1
2010/0132979	A1	*	6/2010	Chen	174/135

* cited by examiner

Primary Examiner — Cynthia Underwood

(74) *Attorney, Agent, or Firm* — KB Patents; Luca D'Ottone

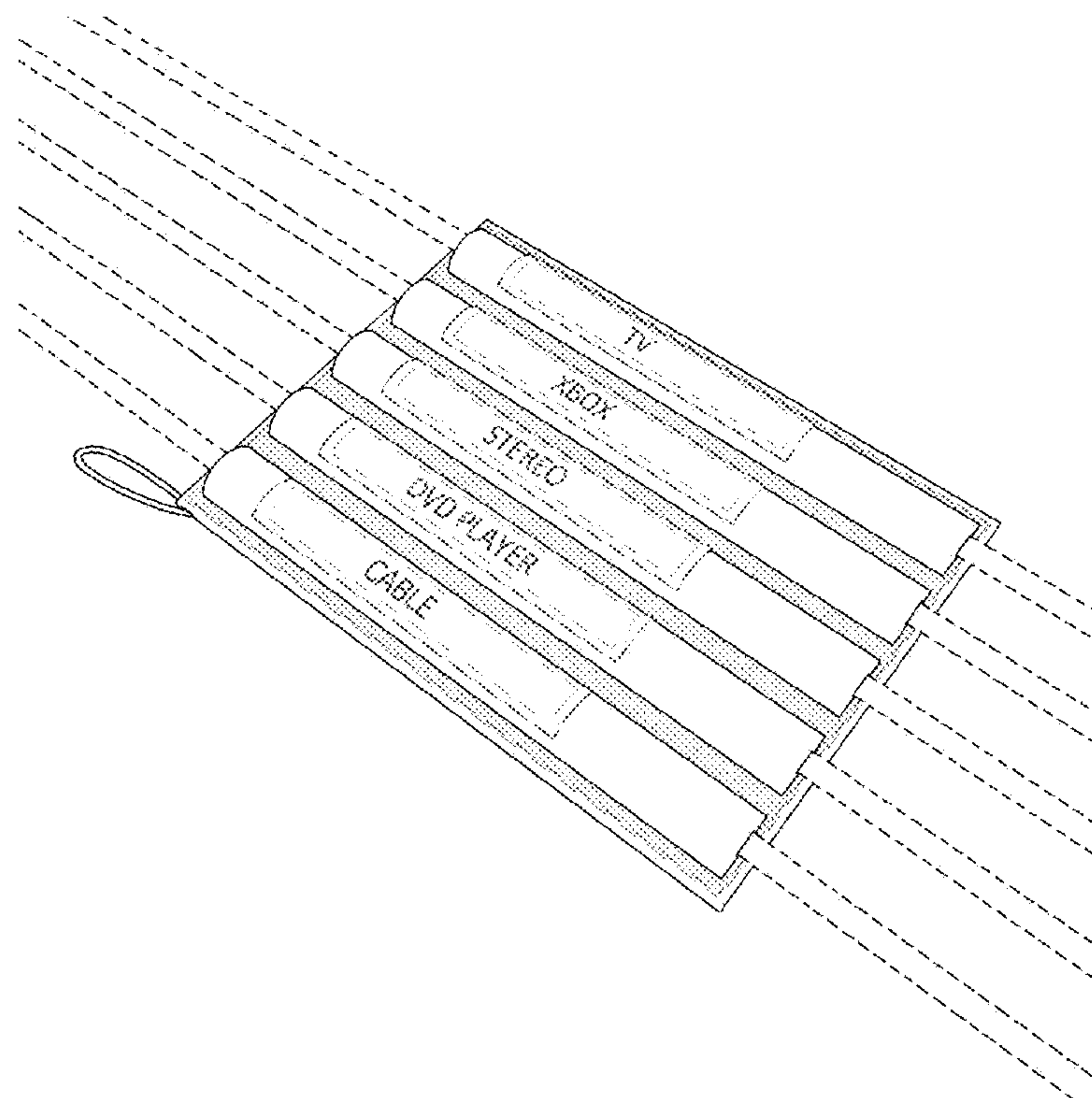
(57) **CLAIM**

The ornamental design for a cable spacer, as shown and described.

DESCRIPTION

FIG. 1 is a top, back perspective view of the cable spacer showing my new design; FIG. 2 is a top, back perspective view of the cable spacer shown in an environment of use; and, FIG. 3 is a top, front perspective view of the cable spacer. The broken lines in the drawings depict environmental subject matter only and form no part of the claimed design.

1 Claim, 3 Drawing Sheets



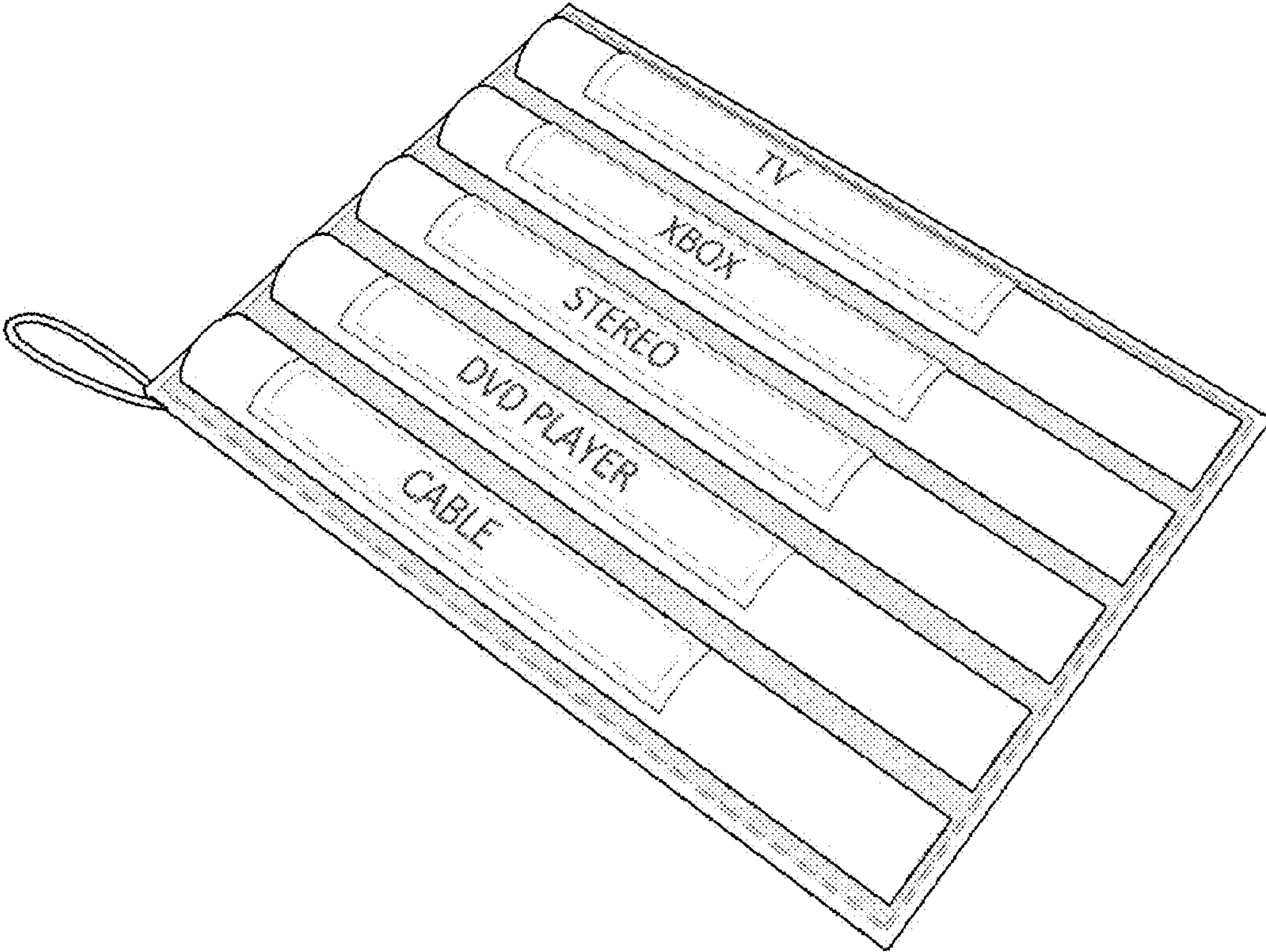


FIG. 1

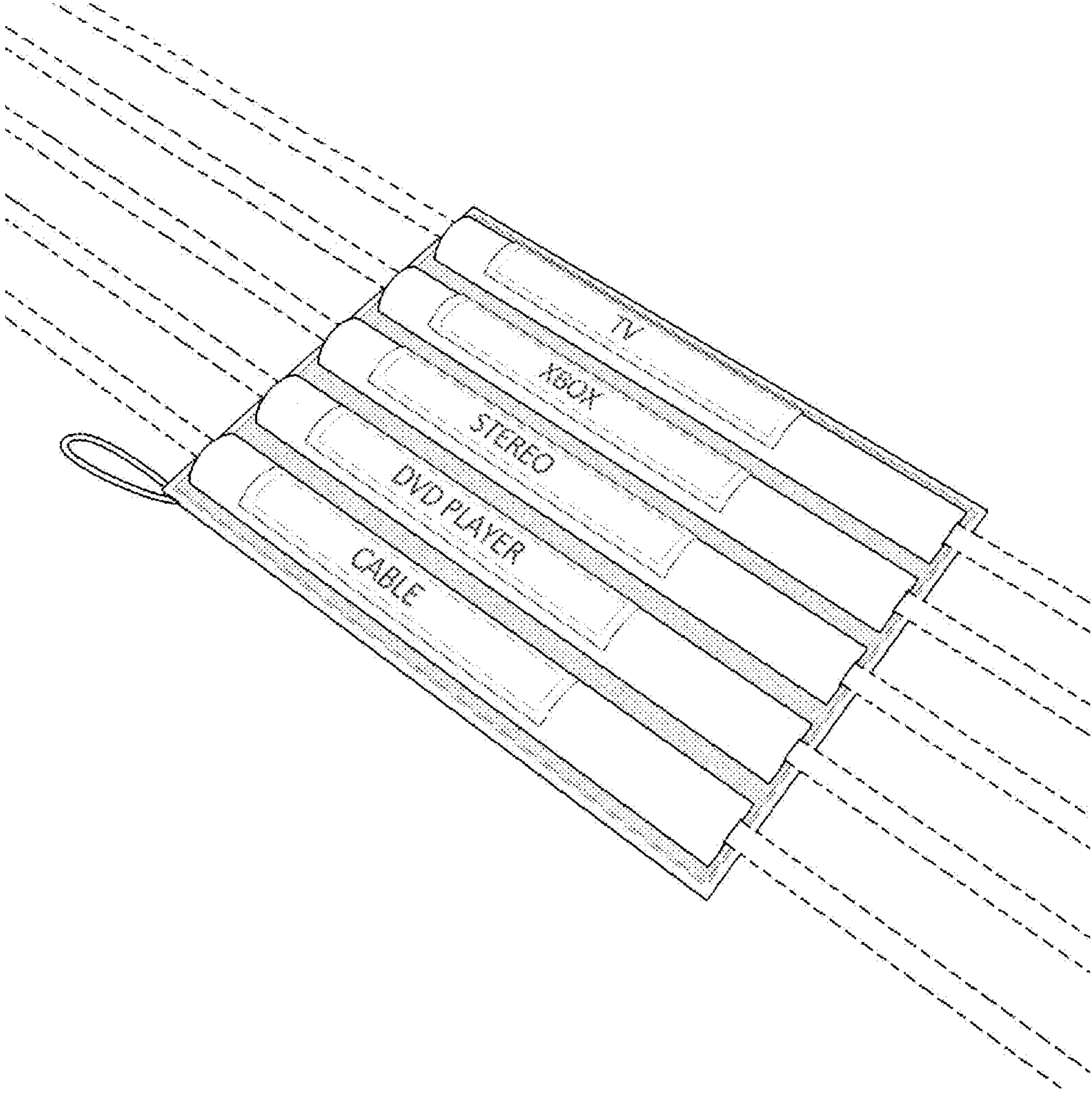


FIG. 2

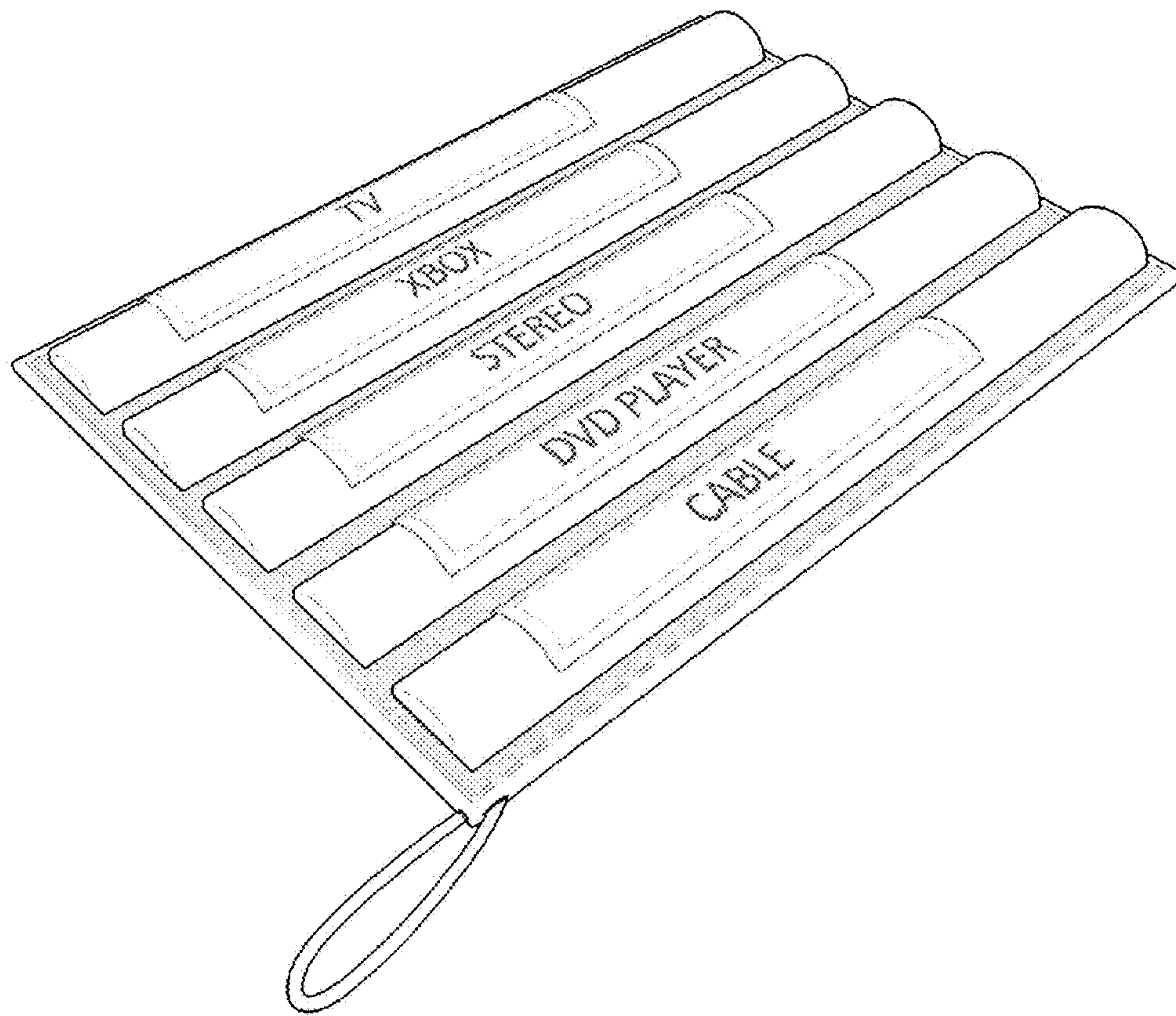


FIG. 3