



US00D745374S

(12) **United States Design Patent**  
**Liu**

(10) **Patent No.:** **US D745,374 S**  
(45) **Date of Patent:** **\*\* Dec. 15, 2015**

(54) **ROLLER JAW FOR ANTI-FALLING DEVICE**

7,603,952 B2 \* 10/2009 Vetesnik ..... 104/106  
8,181,740 B2 \* 5/2012 Blomberg et al. .... 182/36  
D672,633 S \* 12/2012 Aspestegua Martinez  
et al. .... D8/354

(71) Applicant: **Yi-Pin Liu**, Taichung (TW)

(72) Inventor: **Yi-Pin Liu**, Taichung (TW)

(\*\*) Term: **14 Years**

(21) Appl. No.: **29/475,334**

(22) Filed: **Dec. 3, 2013**

(51) **LOC (10) Cl.** ..... **08-05**

(52) **U.S. Cl.**  
USPC ..... **D8/355**

(58) **Field of Classification Search**

USPC ..... D8/349, 354–355, 380, 382–383, 394;  
D13/155, 102, 118, 154, 184, 199;  
D25/119, 123, 124, 125; D21/484,  
D21/500, 504  
CPC ..... F24J 2/07; F24J 2/14; F24J 2/541;  
F24J 2/542; F24J 2/38; Y02E 10/47; Y02E  
10/45; Y02E 10/50; Y02E 10/60; E04H  
9/022; E04H 9/021; E02D 27/34; E04B 1/98;  
H01L 35/00; H01L 31/0522; H01L 35/08;  
H01L 31/052; H01L 31/042; H01L 31/05;  
H01L 27/1423; H01L 31/048; H01L 31/045;  
H01L 31/055; B64G 1/443; B64G 1/222;  
B60G 2202/143

See application file for complete search history.

(56) **References Cited**

**U.S. PATENT DOCUMENTS**

152,145 A \* 6/1874 McGlashan ..... 244/33  
3,111,912 A \* 11/1963 Keiter ..... 105/141  
4,767,091 A \* 8/1988 Cuny ..... 248/228.4  
5,325,788 A \* 7/1994 Strickland et al. .... 104/119  
6,334,507 B1 \* 1/2002 Westerweel ..... 182/36  
D459,839 S \* 7/2002 Blackford ..... D29/124  
D554,975 S \* 11/2007 Kimura ..... D8/354  
D563,770 S \* 3/2008 Payne, Jr. .... D8/354  
D591,141 S \* 4/2009 Miller ..... D8/356

**OTHER PUBLICATIONS**

DBI-Sala A Capital Safety Company, Glyder™ Sliding Beam Anchor, User Instruction Manual, 2006, 20 pages, DB Industries, Inc., U.S.A.

DBI-Sala A Capital Safety Company, Fixed Beam Anchor, User Instruction Manual, 2007, 20 pages, DB Industries, Inc., U.S.A.

DBI-Sala A Capital Safety Company, Trolley Anchorage Connector, User Instruction Manual, 2008, 12 pages, DB Industries, Inc., U.S.A.

\* cited by examiner

*Primary Examiner* — Sheryl Lane

*Assistant Examiner* — Nathaniel D Buckner

(74) *Attorney, Agent, or Firm* — Alan D. Kamrath; Kamrath IP Lawfirm, P.A.

(57) **CLAIM**

The ornamental design for a roller jaw for anti-falling device, as shown and described.

**DESCRIPTION**

FIG. 1 is a perspective view of a roller jaw for anti-falling device showing my new design;

FIG. 2 is a front elevational view thereof;

FIG. 3 is a rear elevational view thereof;

FIG. 4 is a left side elevational view thereof;

FIG. 5 is a right side elevational view thereof;

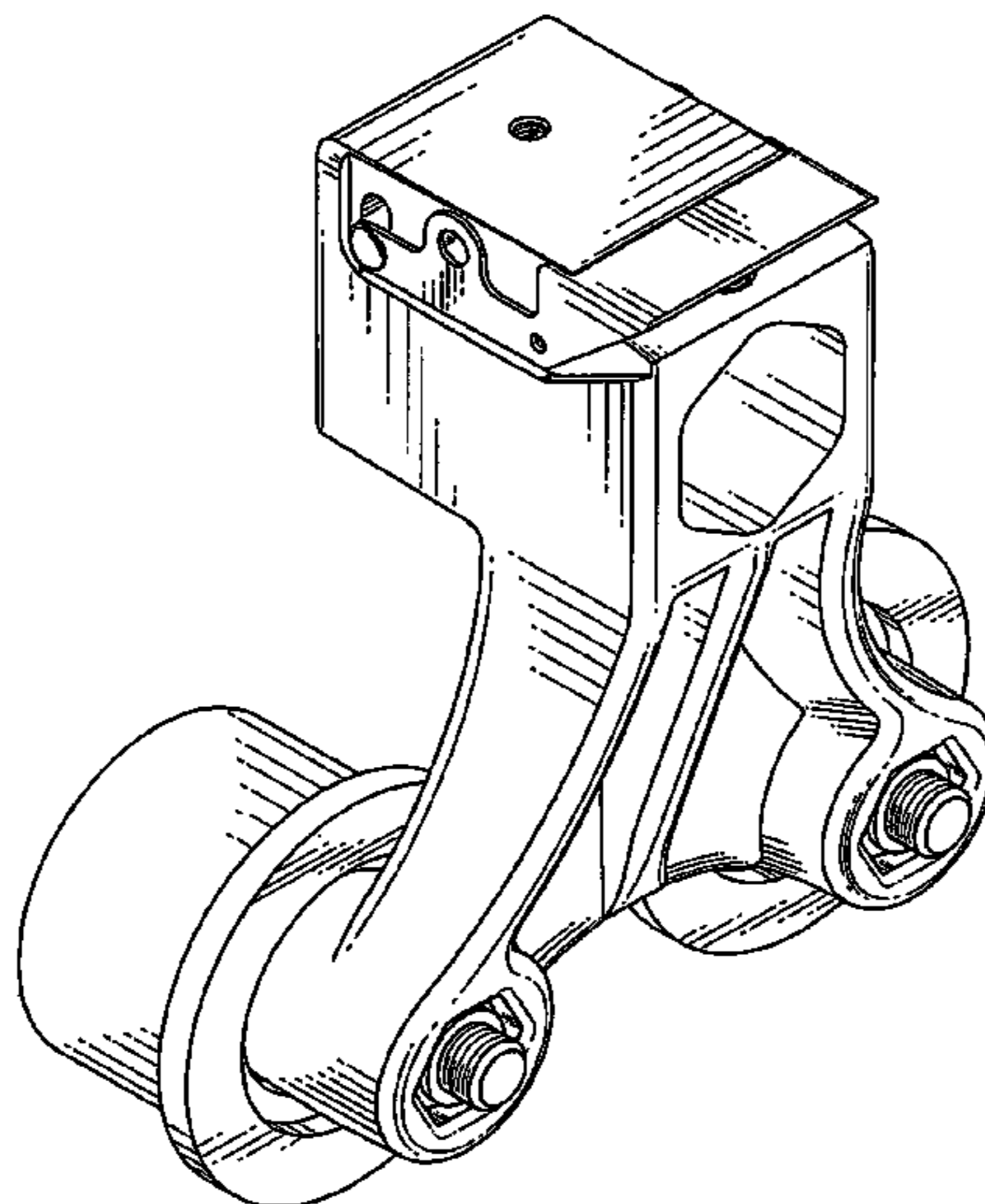
FIG. 6 is a top plan view thereof;

FIG. 7 is a bottom plan view thereof; and,

FIG. 8 is a perspective view thereof, shown in an environment of use.

The broken lines present in the figures are included for the purpose of illustrating portions of the article and environmental structure and form no part of the claimed design.

**1 Claim, 8 Drawing Sheets**



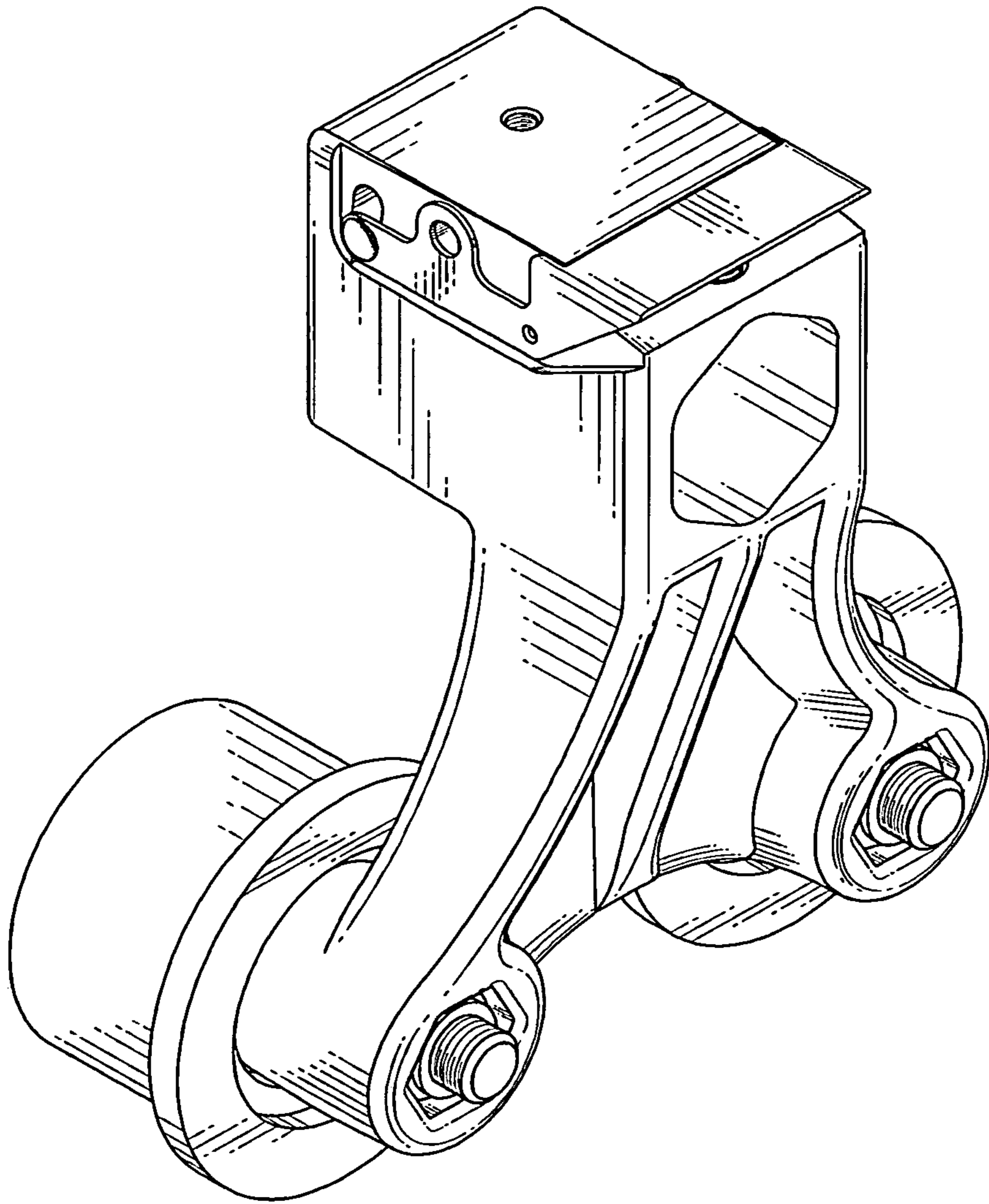


FIG. 1

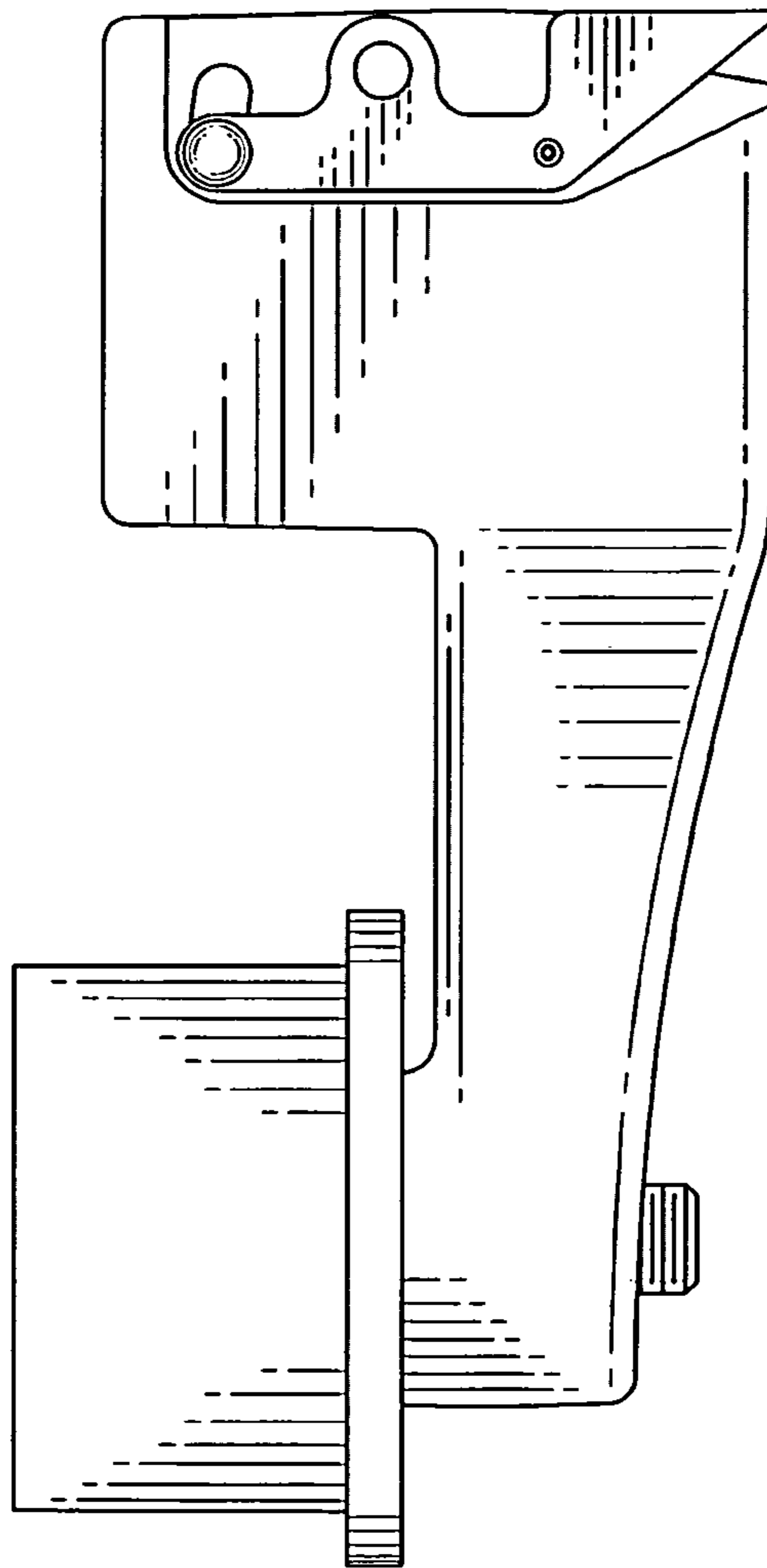


FIG. 2

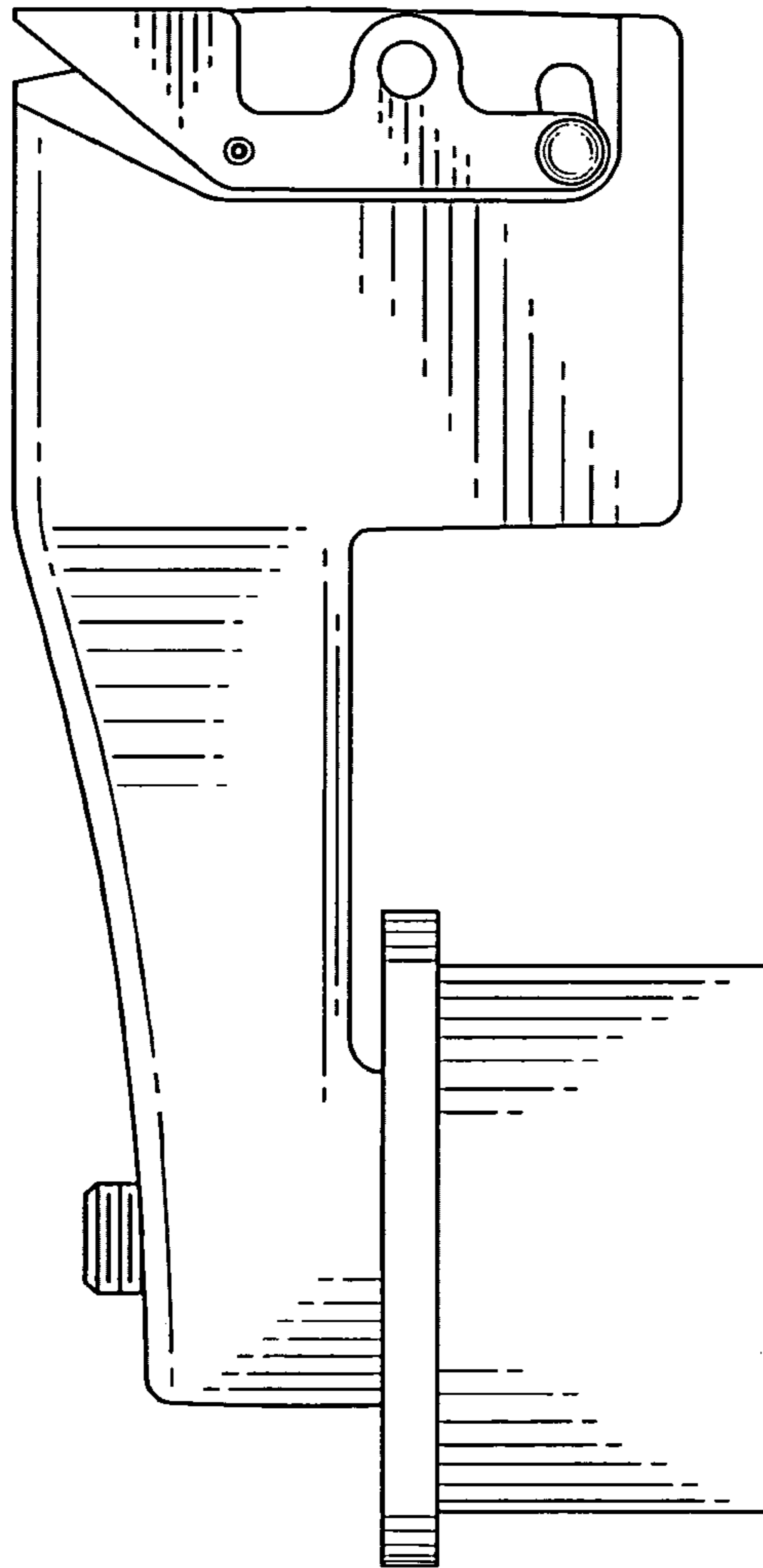


FIG. 3

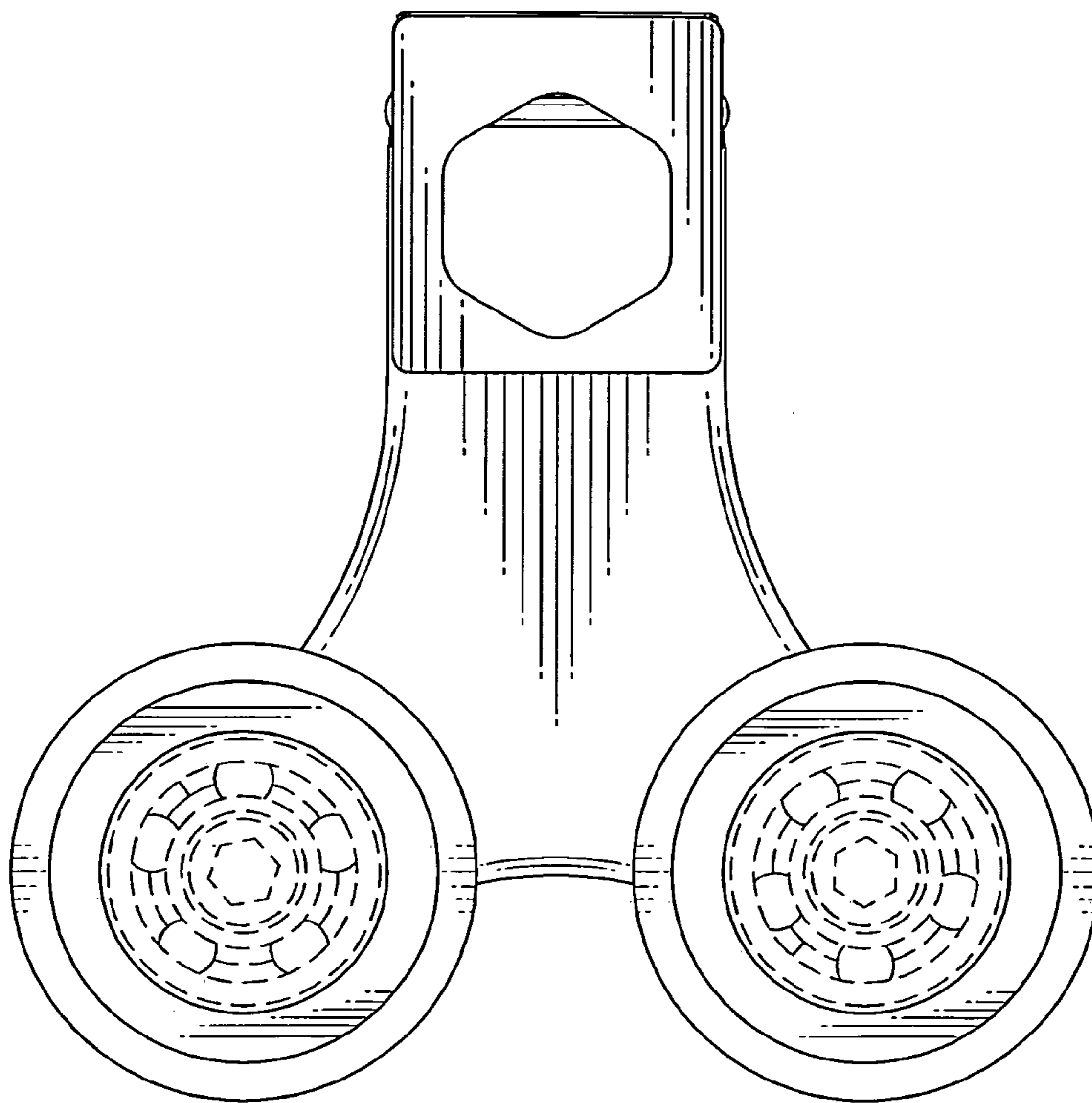


FIG. 4

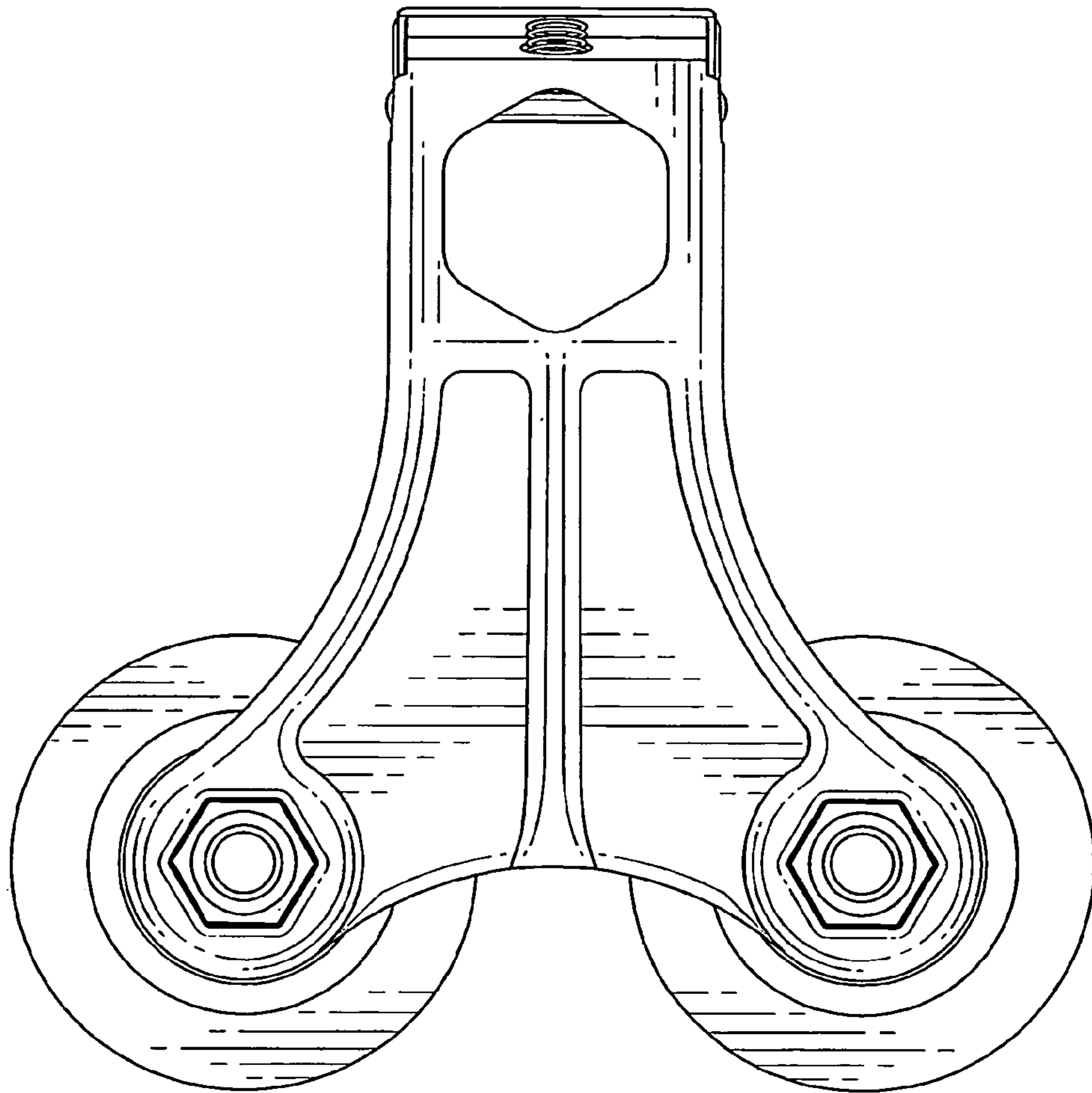


FIG. 5

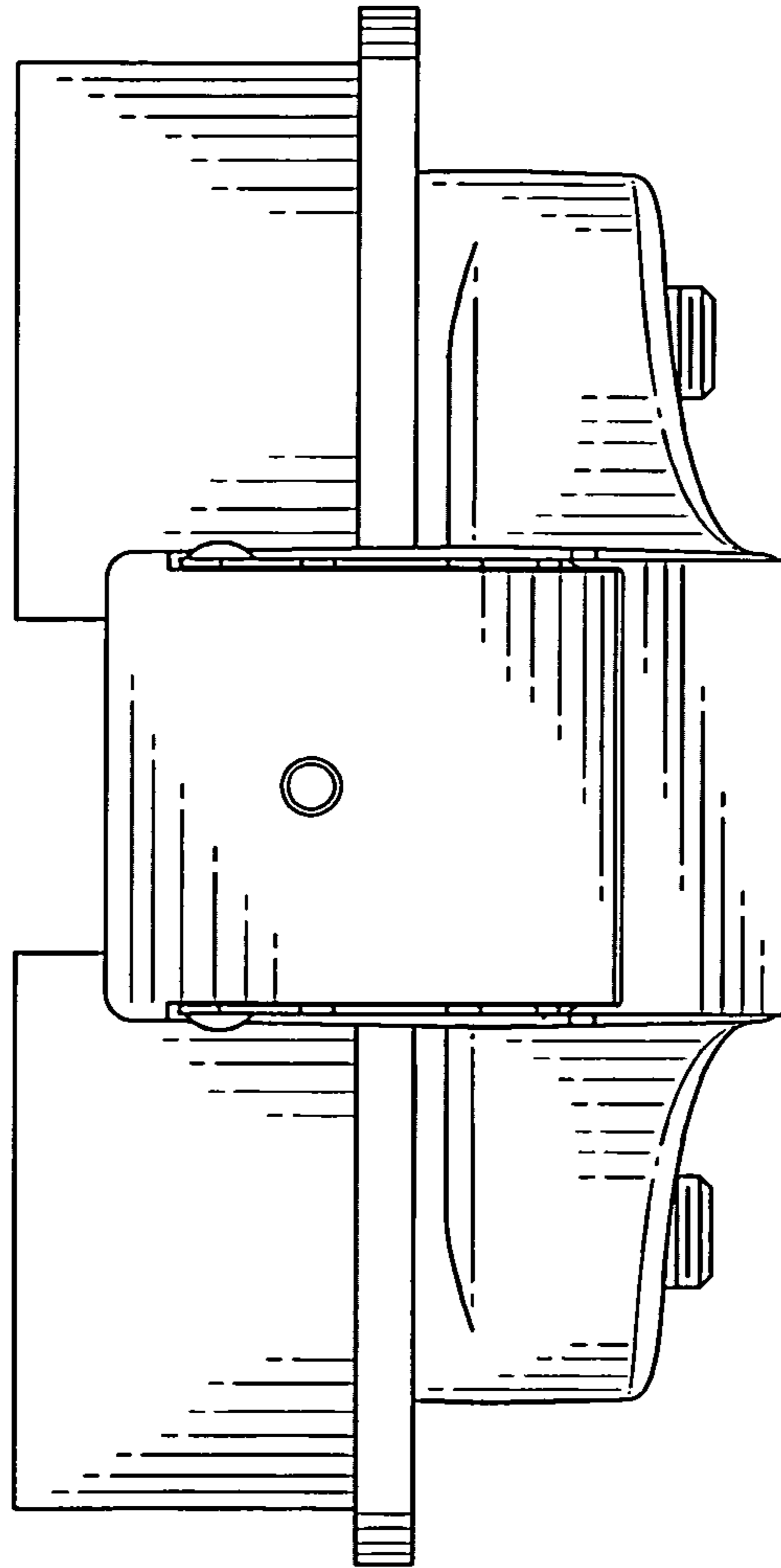


FIG. 6

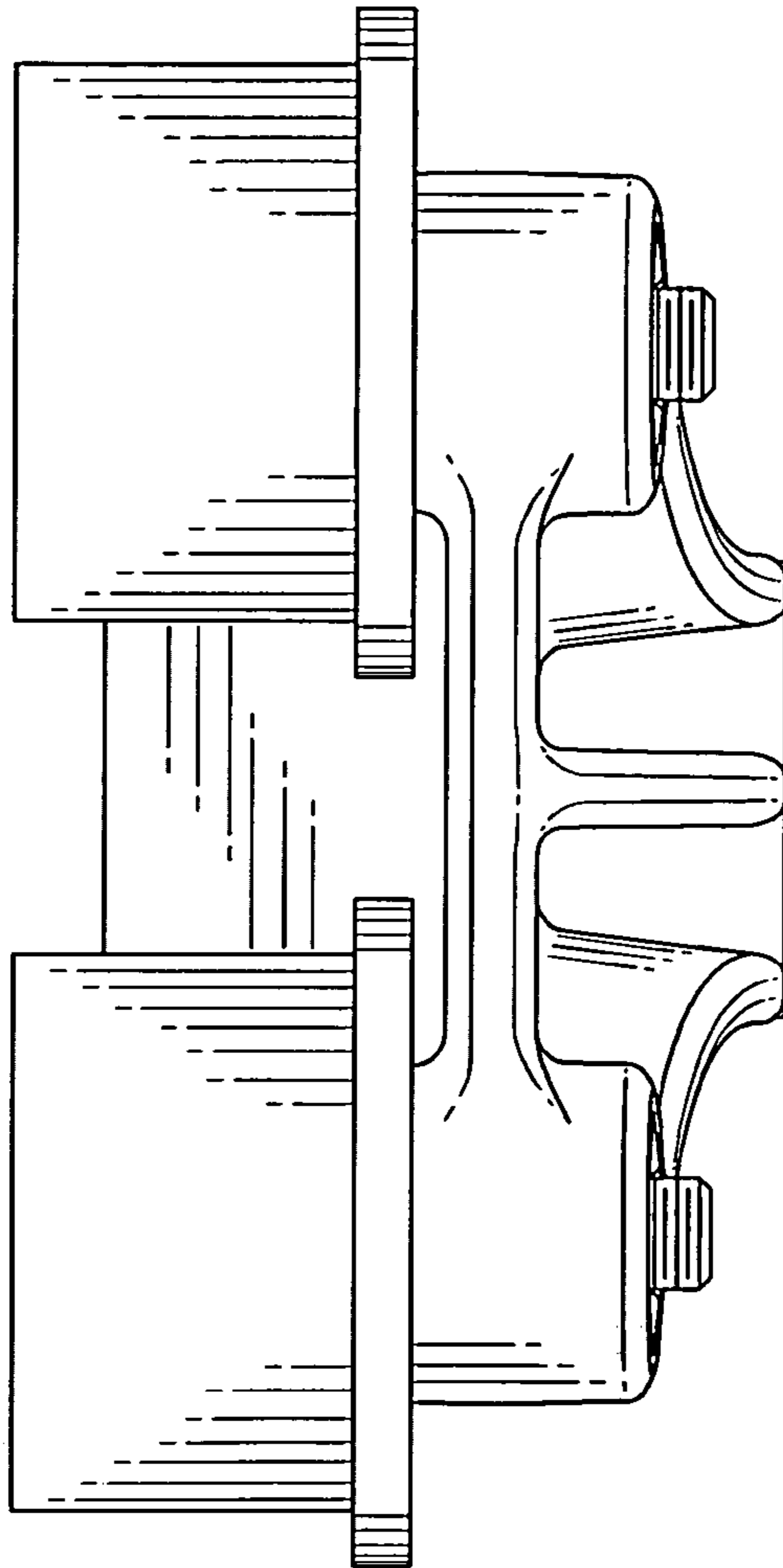


FIG. 7



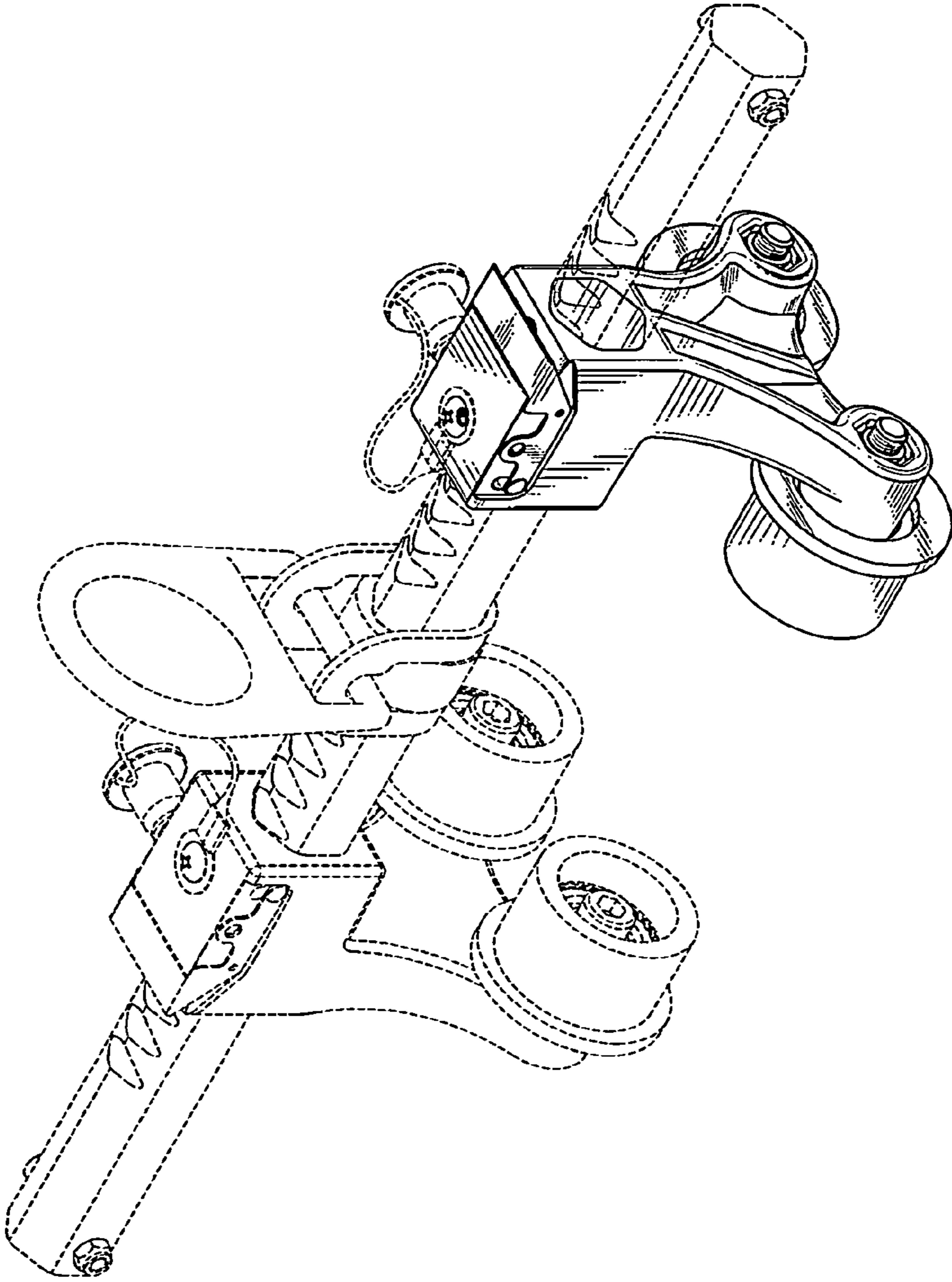


FIG. 8