

US00D745373S

(12) **United States Design Patent**  
**Marra, Jr.**

(10) **Patent No.:** **US D745,373 S**  
(45) **Date of Patent:** **\*\* Dec. 15, 2015**

- (54) **REBAR SUPPORT APPARATUS**
- (71) Applicant: **John P Marra, Jr.**, Mount Bethel, PA (US)
- (72) Inventor: **John P Marra, Jr.**, Mount Bethel, PA (US)
- (\*\*) Term: **14 Years**
- (21) Appl. No.: **29/499,633**
- (22) Filed: **Aug. 18, 2014**
- (51) **LOC (10) Cl.** ..... **08-05**
- (52) **U.S. Cl.**  
USPC ..... **D8/354**
- (58) **Field of Classification Search**  
USPC ..... D8/349, 354, 380, 384; D25/199; 248/440; 52/677, 678, 679, 682, 684, 52/685, 686, 687, 745.21, 688, 689, 585.1, 52/848, 849; 404/134, 135, 136; 403/327, 403/306, 292, 378, 379.5, 11, 12, 27, 403/109.1-109.3, 109.8  
CPC ..... E04C 5/16; E04C 5/20; E04C 5/201; E04C 5/168; E04C 5/165; E04C 5/18; F16B 21/12; Y10T 403/5741  
See application file for complete search history.

7,441,731	B2	10/2008	Smart et al.	
D587,564	S	3/2009	Kodi	
D594,737	S	6/2009	Kelly et al.	
7,661,240	B2	2/2010	Sargent	
D618,985	S	7/2010	Sjoqvist	
8,028,490	B2	10/2011	Kelly et al.	
8,110,134	B2	2/2012	Scott et al.	
D706,608	S *	6/2014	Offermann	D8/354
D719,817	S *	12/2014	Perry et al.	D8/354
2007/0209310	A1	9/2007	Papke	
2010/0050559	A1	3/2010	Tillery	
2013/0125498	A1	5/2013	Lowery	

\* cited by examiner

*Primary Examiner* — Mark Goodwin

(74) *Attorney, Agent, or Firm* — Carter, DeLuca, Farrell & Schmidt, LLP

(57) **CLAIM**

The ornamental design for the rebar support apparatus, as shown and described.

**DESCRIPTION**

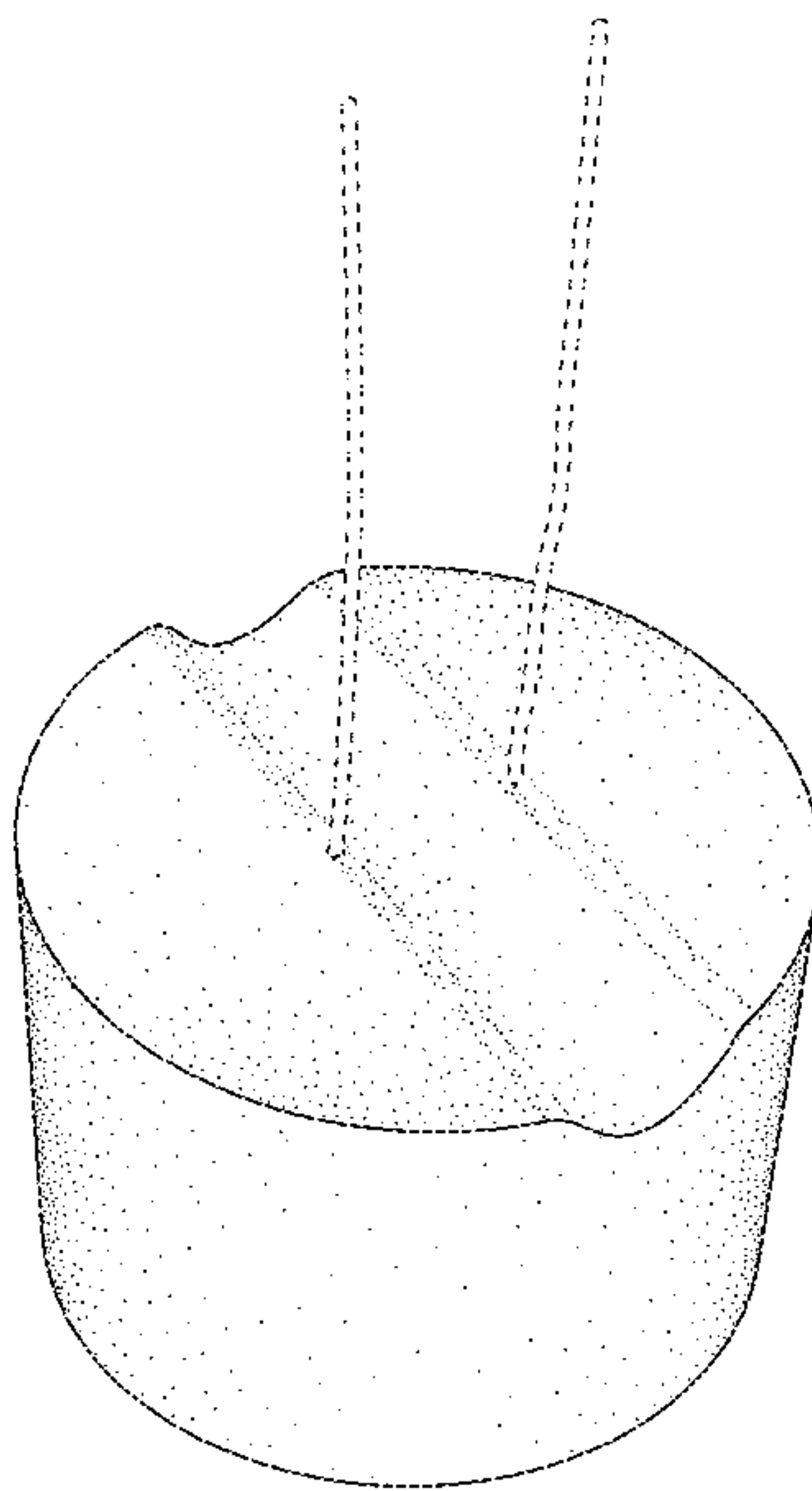
FIG. 1 is a perspective view of the rebar support apparatus in accordance with the principles of the present disclosure;  
 FIG. 2 is a first side elevation view of the rebar support apparatus;  
 FIG. 3 is a second side elevation view of the rebar support apparatus;  
 FIG. 4 is a top plan view of the rebar support apparatus;  
 FIG. 5 is a bottom plan view of the rebar support apparatus;  
 and,  
 FIG. 6 is a perspective view of the rebar support apparatus with a rebar or support cable supported therein for illustrative purposes.  
 Any portions of the figures shown in broken lines are for illustrative purposes only and form no part of the claimed design.

**1 Claim, 5 Drawing Sheets**

(56) **References Cited**

U.S. PATENT DOCUMENTS

1,070,921	A *	8/1913	Saltiel	52/686
D205,010	S	6/1966	Swenden	
D209,172	S	11/1967	Brock	
D279,164	S	6/1985	Mitchell et al.	
D334,133	S	3/1993	Hartzheim	
5,729,949	A	3/1998	Hartzheim	
6,282,860	B1 *	9/2001	Ramirez	52/677
D500,668	S	1/2005	Kelly et al.	
D504,805	S	5/2005	Sorkin	



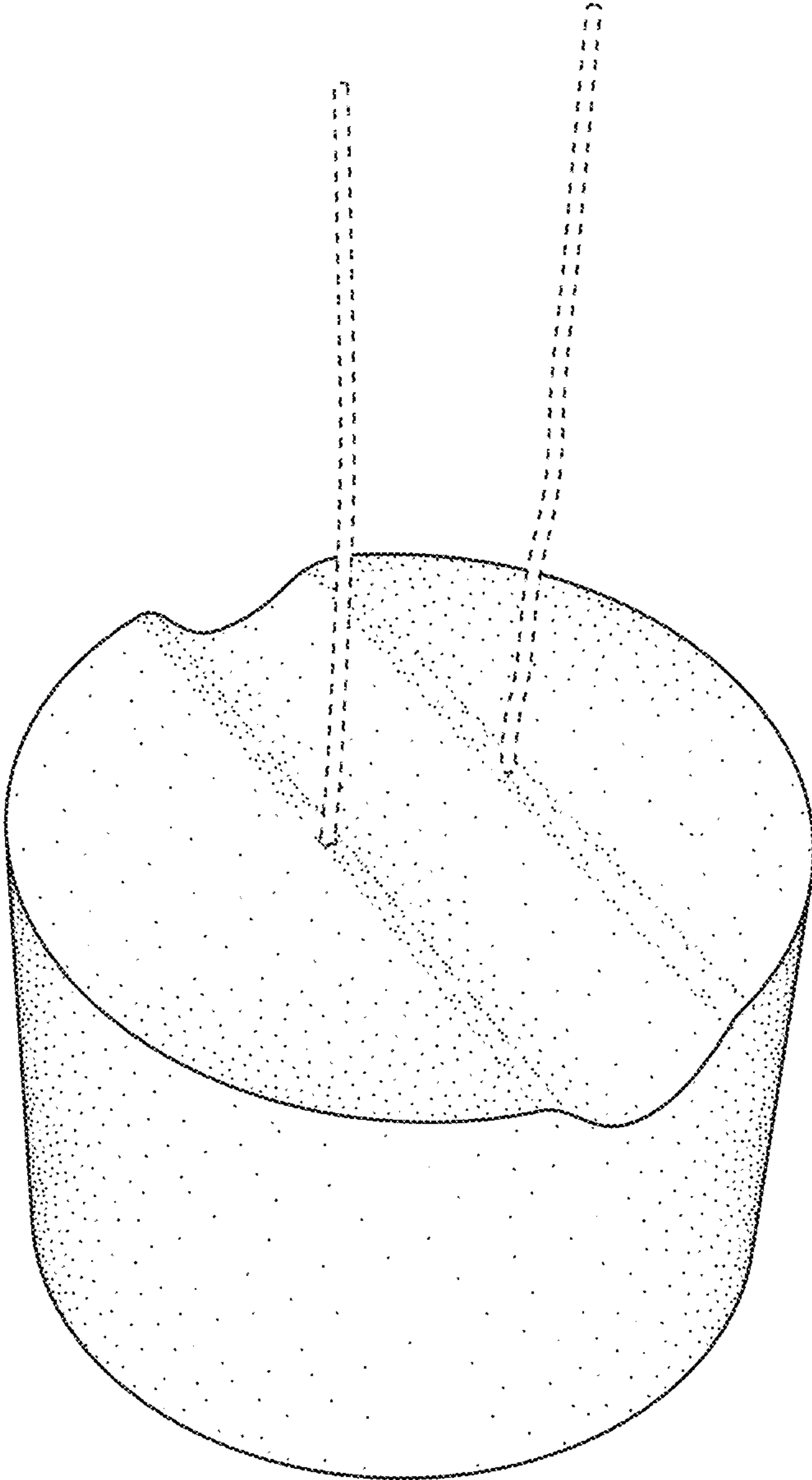


FIG. 1

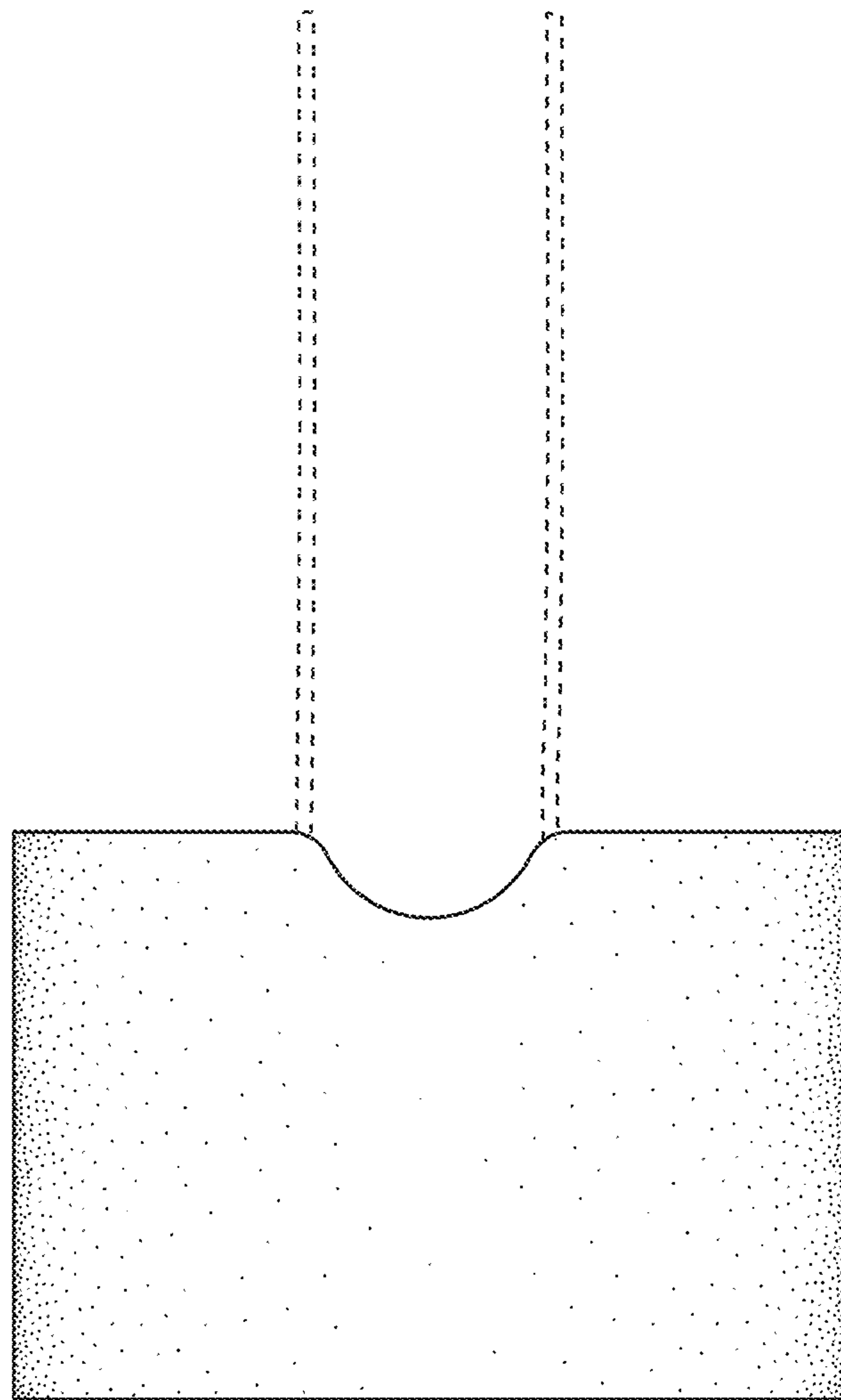


FIG. 2

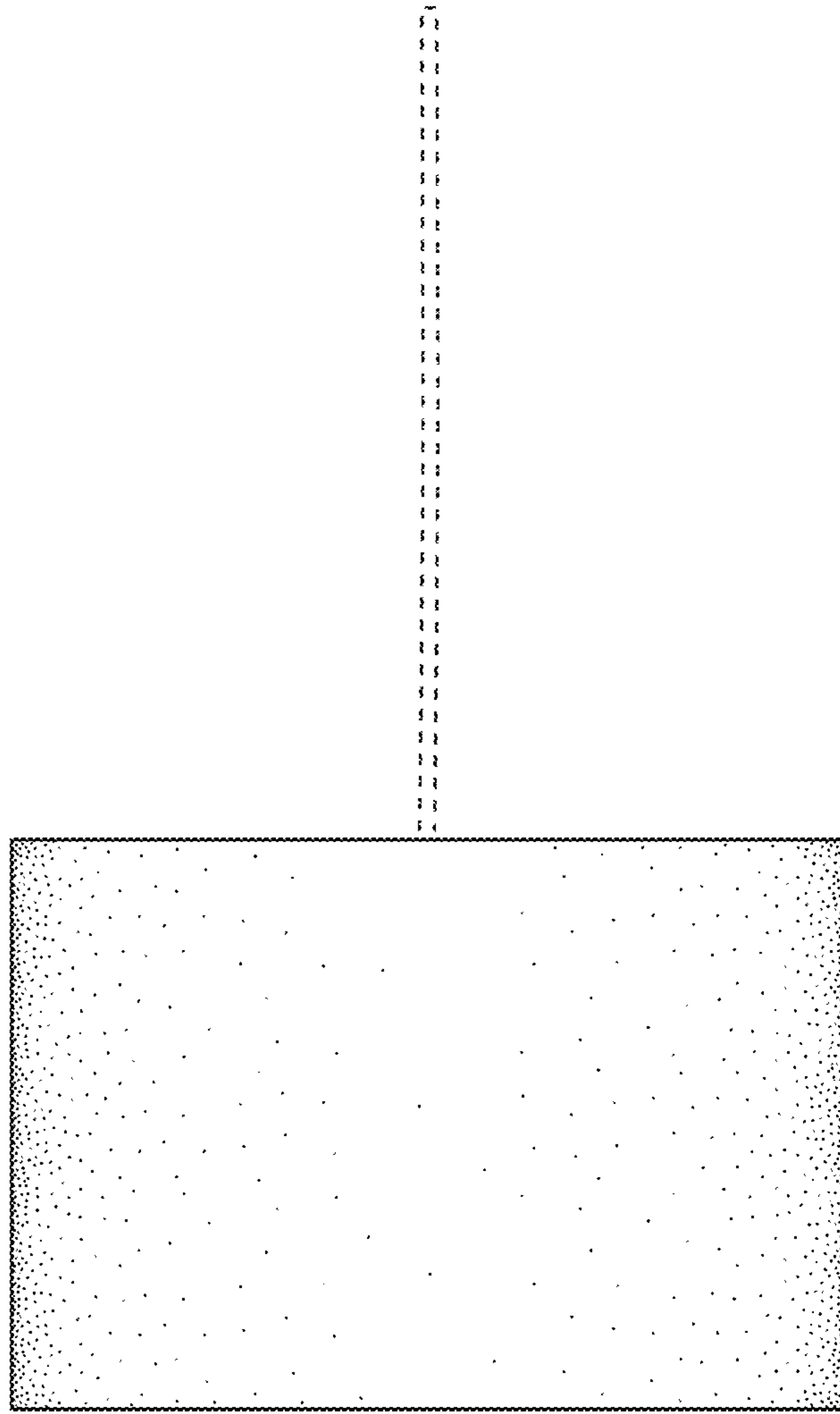


FIG. 3

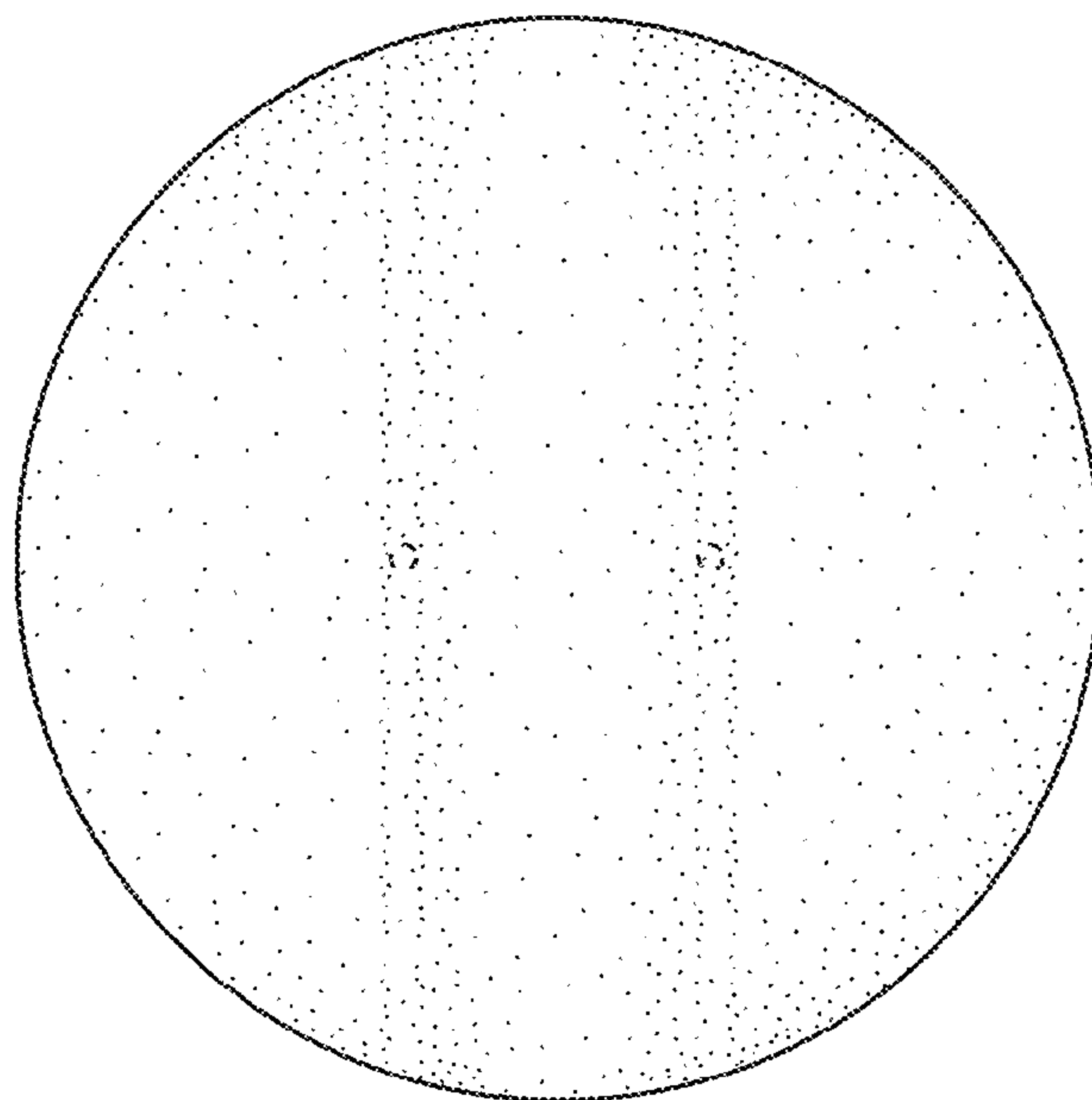


FIG. 4

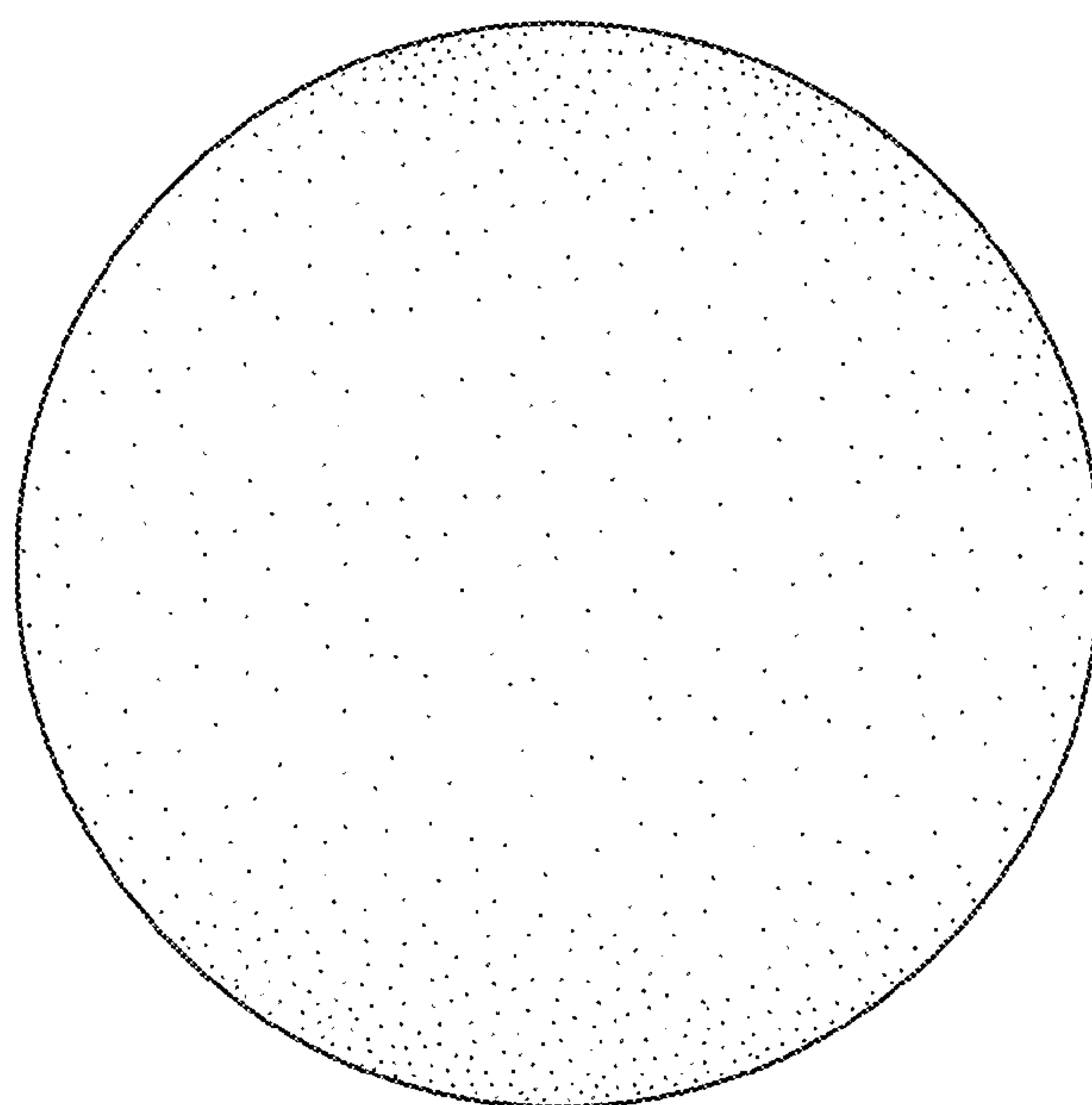


FIG. 5

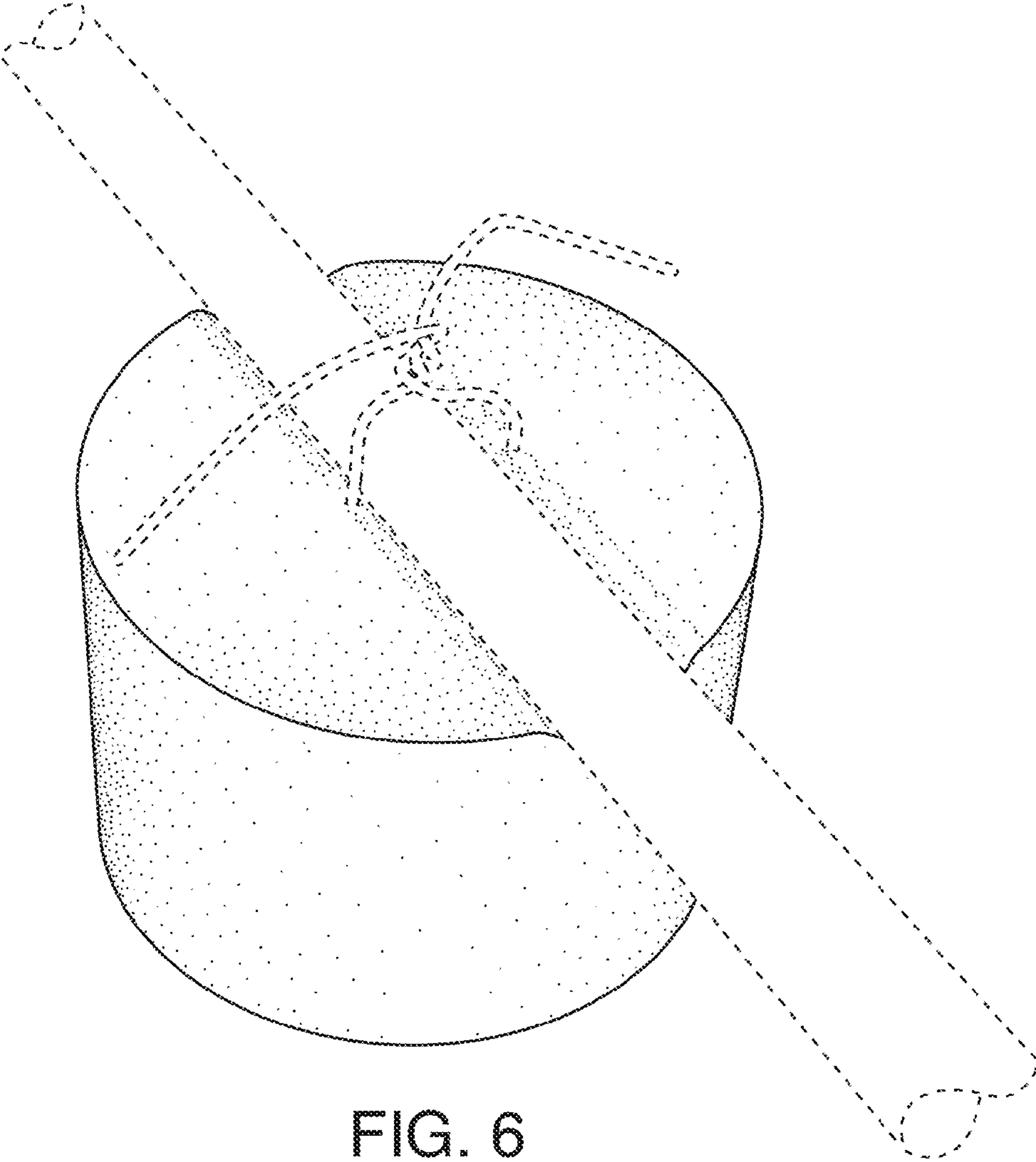


FIG. 6