



US00D745371S

(12) **United States Design Patent**  
**Trojanowski**

(10) **Patent No.:** **US D745,371 S**

(45) **Date of Patent:** **\*\* Dec. 15, 2015**

(54) **RECEPTACLE COVER**

(71) Applicant: **Joseph Trojanowski**, Oak Park, IL (US)

(72) Inventor: **Joseph Trojanowski**, Oak Park, IL (US)

(\*\*) Term: **14 Years**

(21) Appl. No.: **29/451,111**

(22) Filed: **Mar. 27, 2013**

(51) **LOC (10) Cl.** ..... **08-05**

(52) **U.S. Cl.**  
USPC ..... **D8/350**

(58) **Field of Classification Search**  
USPC ..... D8/350  
CPC ..... H02G 3/14; H02G 3/123  
See application file for complete search history.

(56) **References Cited**

U.S. PATENT DOCUMENTS

4,133,246	A	1/1979	Small	
4,846,622	A	7/1989	Lien	
5,158,478	A *	10/1992	Schuplin	439/538
5,178,501	A	1/1993	Carstairs	
5,180,886	A	1/1993	Dierenbach et al.	
5,211,580	A *	5/1993	Schuplin	439/538
5,632,584	A	5/1997	Acevedo	
5,965,846	A *	10/1999	Shotey et al.	174/66
6,278,062	B1	8/2001	Sowdon	
6,444,909	B1	9/2002	Prenderville	
6,483,032	B2	11/2002	Adams	
6,532,626	B2	3/2003	Muller et al.	
6,642,453	B2	11/2003	Shotey et al.	
D484,392	S	12/2003	Mayo et al.	
6,878,878	B2	4/2005	Westlake	
7,007,906	B2 *	3/2006	Slatter	248/276.1
7,047,655	B2	5/2006	Larsson	
7,071,414	B2	7/2006	Kim	
7,074,078	B2	7/2006	Shotey	
7,119,278	B1 *	10/2006	Shotey et al.	174/66
D534,058	S	12/2006	Fields	
D560,116	S *	1/2008	Brassard	D8/380

D588,903	S *	3/2009	Carnevali	D8/355
7,622,676	B2	11/2009	Drane et al.	
7,753,626	B2	7/2010	Musil et al.	
7,902,458	B2	3/2011	Eshelman	
D661,176	S	6/2012	Schindler	
8,197,518	B2	6/2012	Hammill, Sr. et al.	
8,277,490	B2	10/2012	Freeman et al.	
8,480,395	B2	7/2013	D Alise	
2002/0100602	A1	8/2002	Shotey et al.	
2005/0000719	A1	1/2005	Shotey et al.	

(Continued)

OTHER PUBLICATIONS

Stephen K. Schindler, "Receptacle Cover", Design U.S. Appl. No. 29/319,198, filed Jun. 5, 2008, expressly abandoned Jun. 12, 2009.

(Continued)

*Primary Examiner* — Holly Baynham

(74) *Attorney, Agent, or Firm* — Peter B. Scull; Hamilton, DeSanctis & Cha LLP

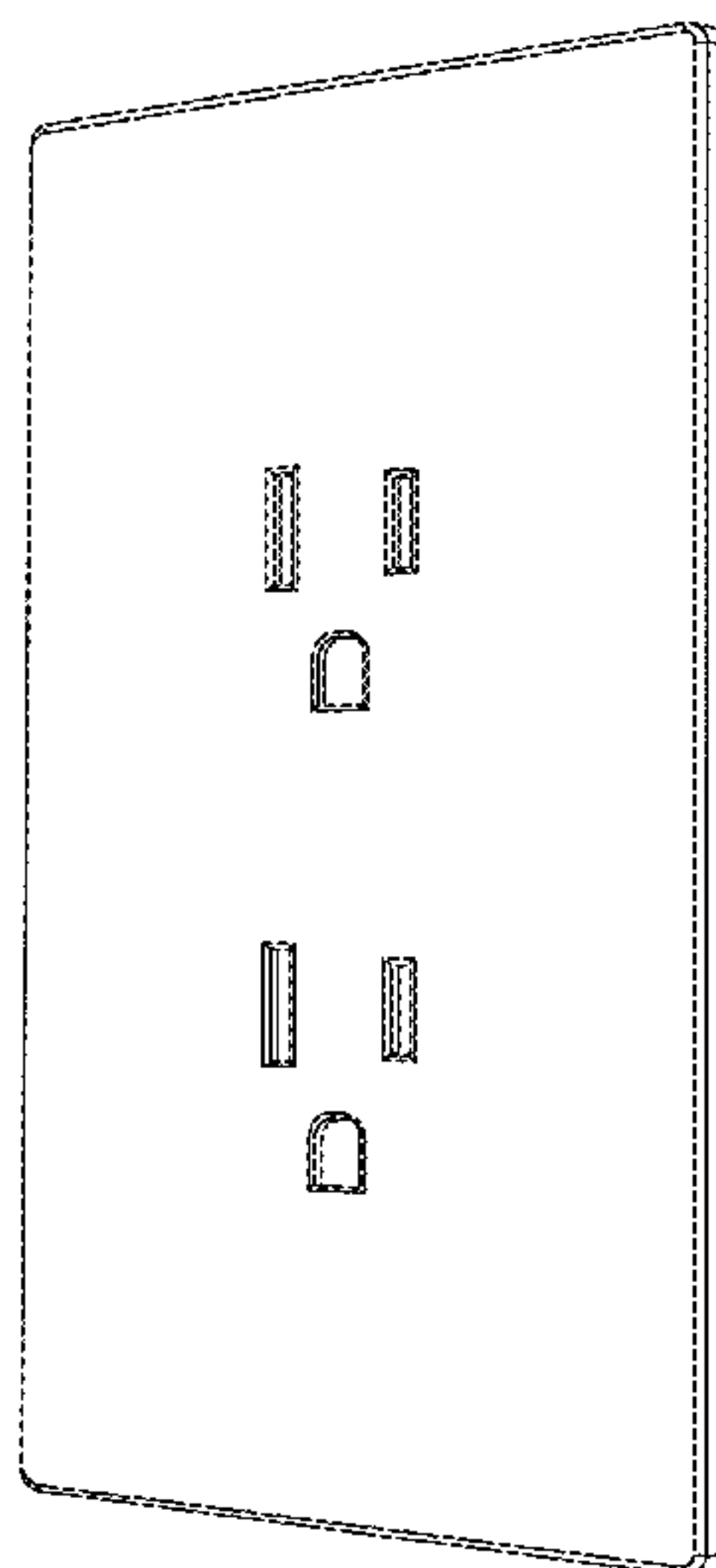
(57) **CLAIM**

The ornamental design for a receptacle cover, as shown and described.

**DESCRIPTION**

FIG. 1 is a side perspective view of a receptacle cover showing my new design;  
FIG. 2 is a front view thereof  
FIG. 3 is a top perspective view thereof;  
FIG. 4 is a rear side perspective view thereof;  
FIG. 5 is an environmental, side perspective view showing the orientation of the cover to the wall surface; and,  
FIG. 6 is another environmental side perspective view showing the orientation of the cover to the wall surface.  
The broken lines showing a wall surface in FIGS. 5 and 6 are included for the purpose of illustrating environment and forms no part of the claimed design.

**1 Claim, 6 Drawing Sheets**



(56)

**References Cited**

U.S. PATENT DOCUMENTS

2006/0073731 A1 4/2006 Chien  
2011/0061885 A1 3/2011 Wilson

OTHER PUBLICATIONS

Betsy E Fields, "Wall Cover", Design U.S. Appl. No. 29/244,676,  
filed Dec. 13, 2005, now patent No. D534058.

\* cited by examiner

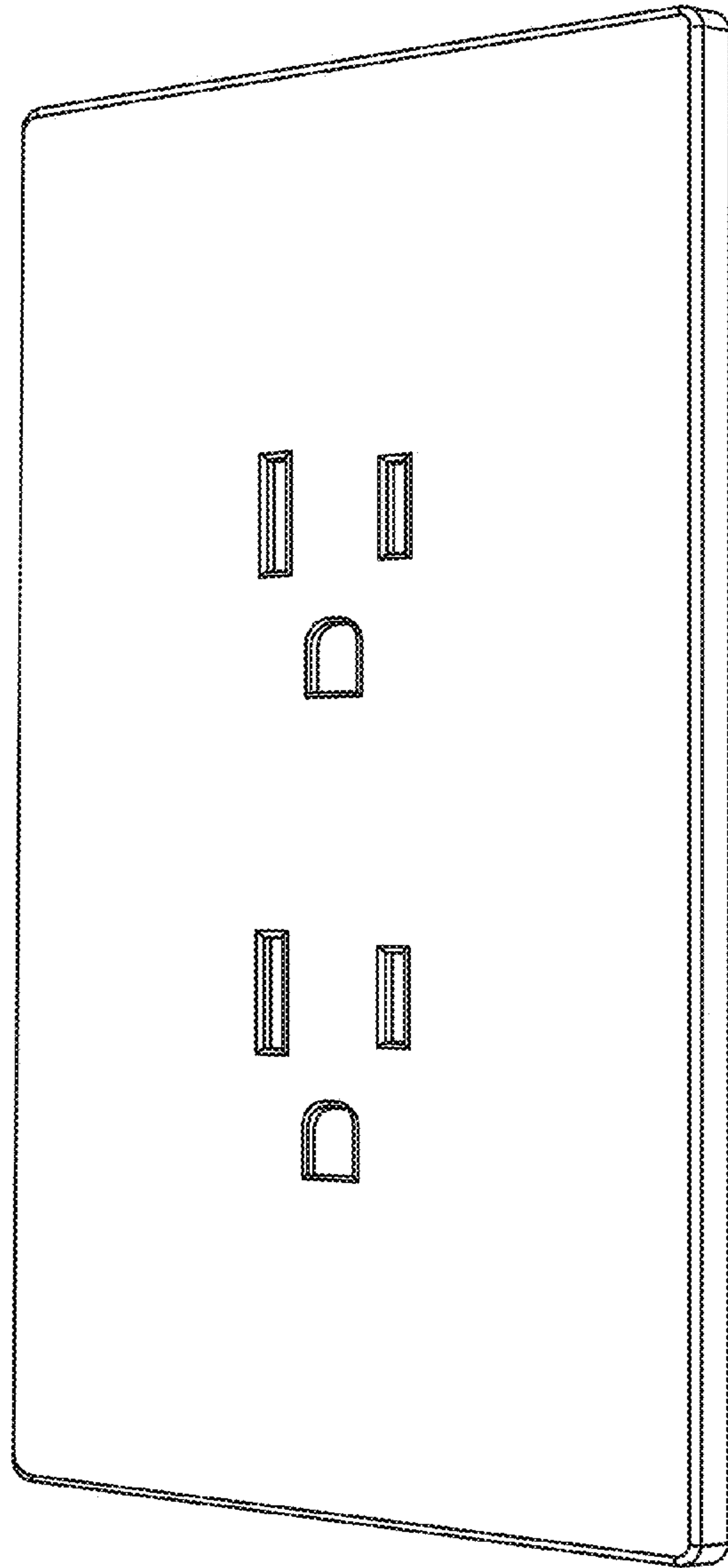


FIG.1

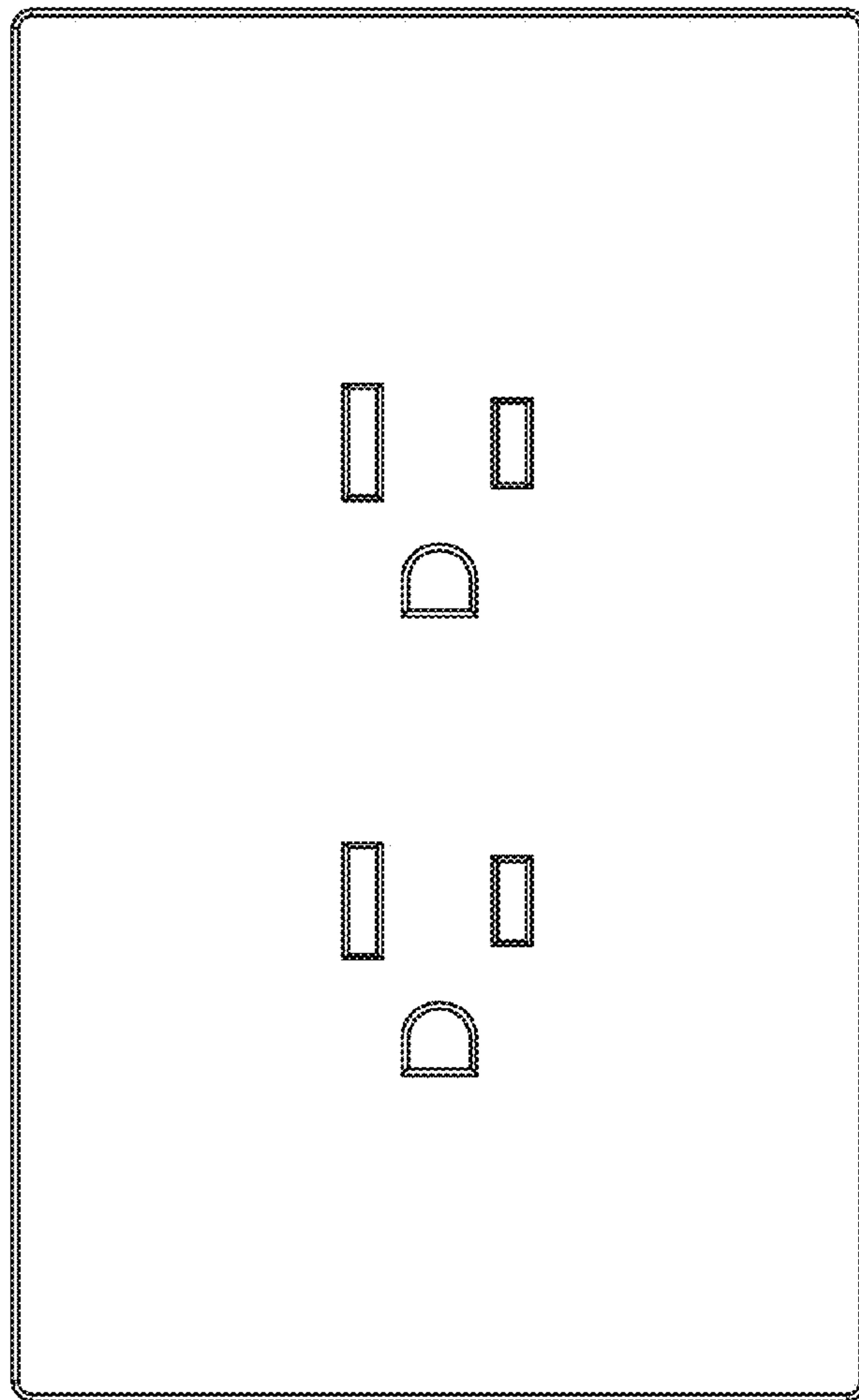


FIG.2

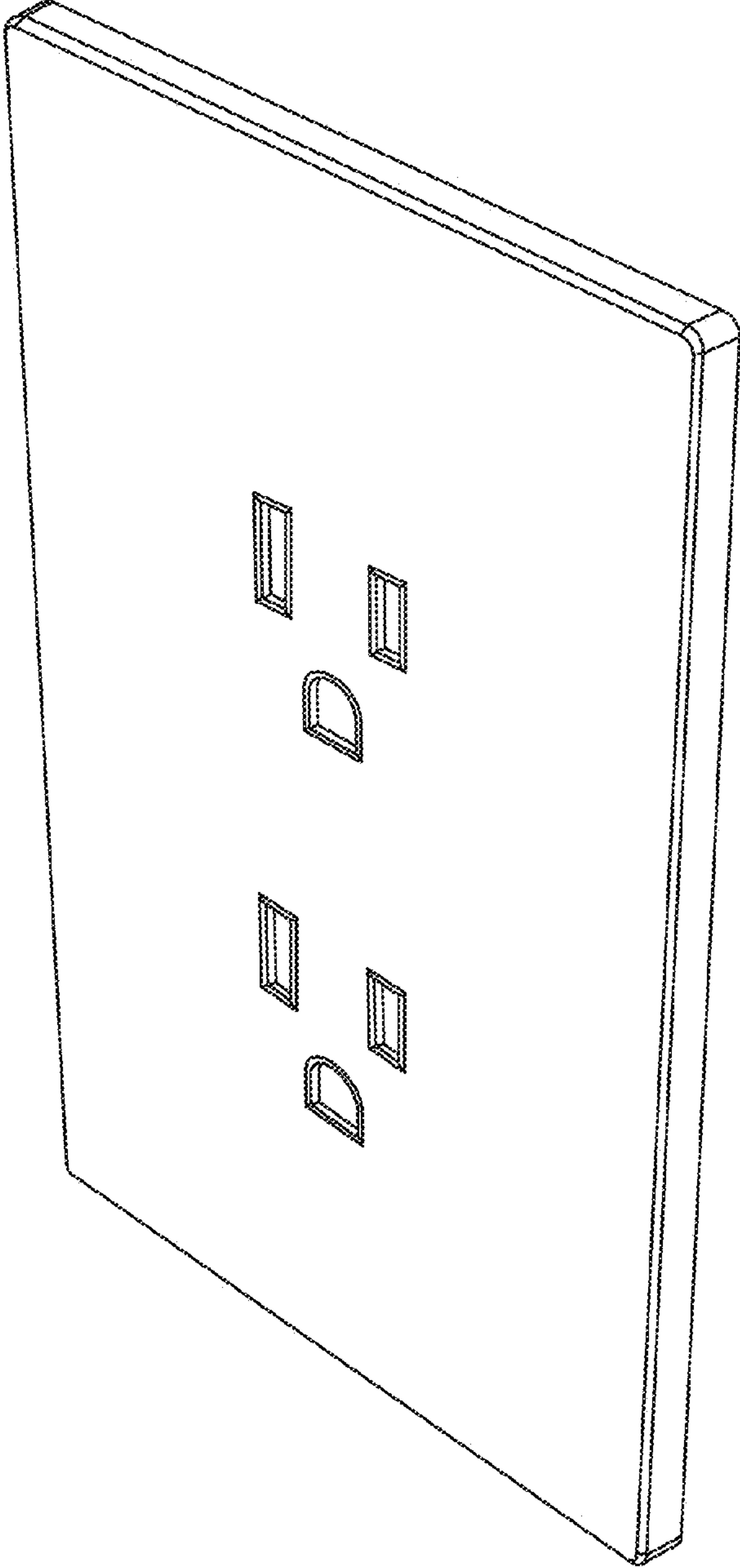


FIG.3

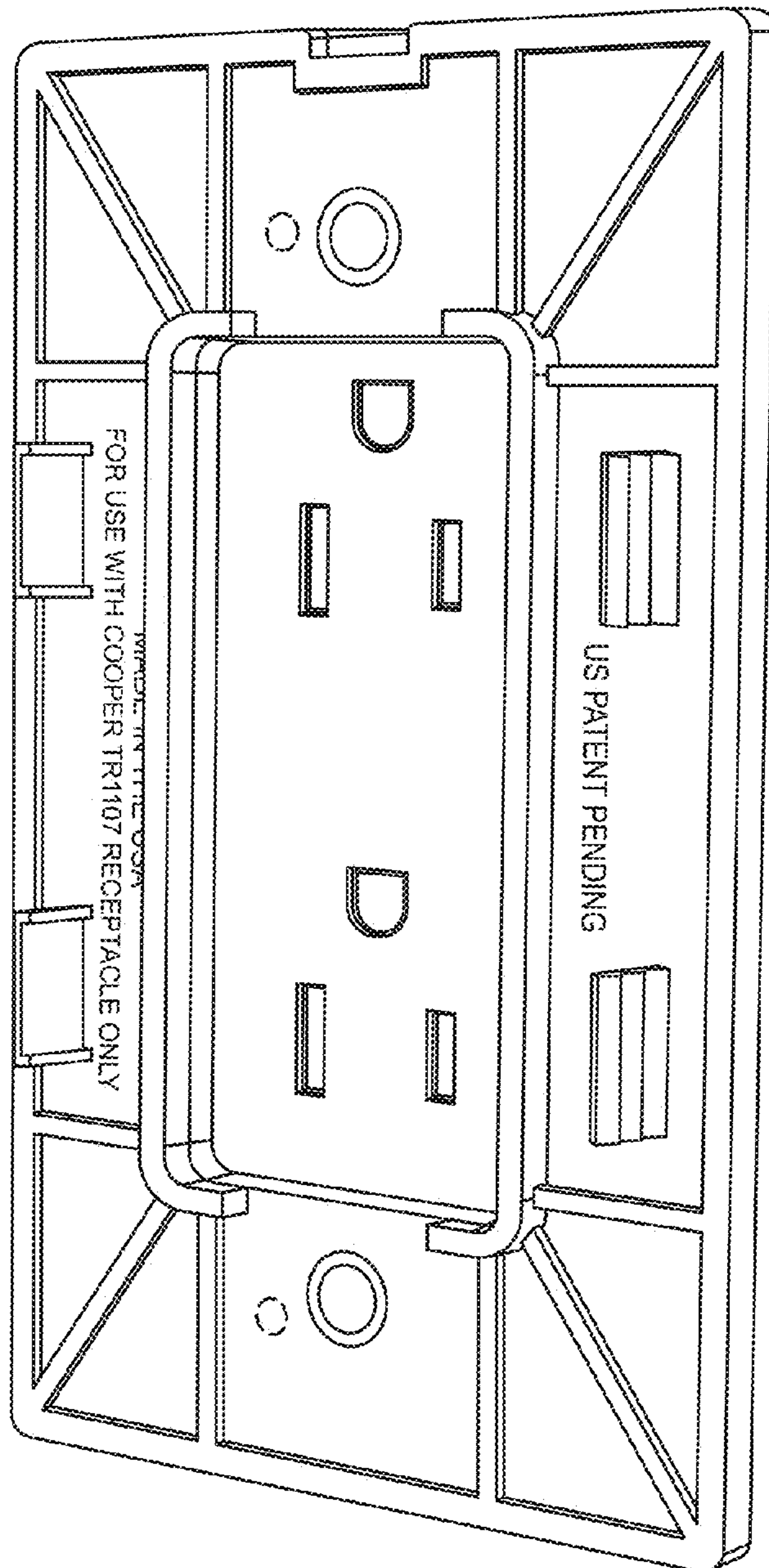


FIG.4



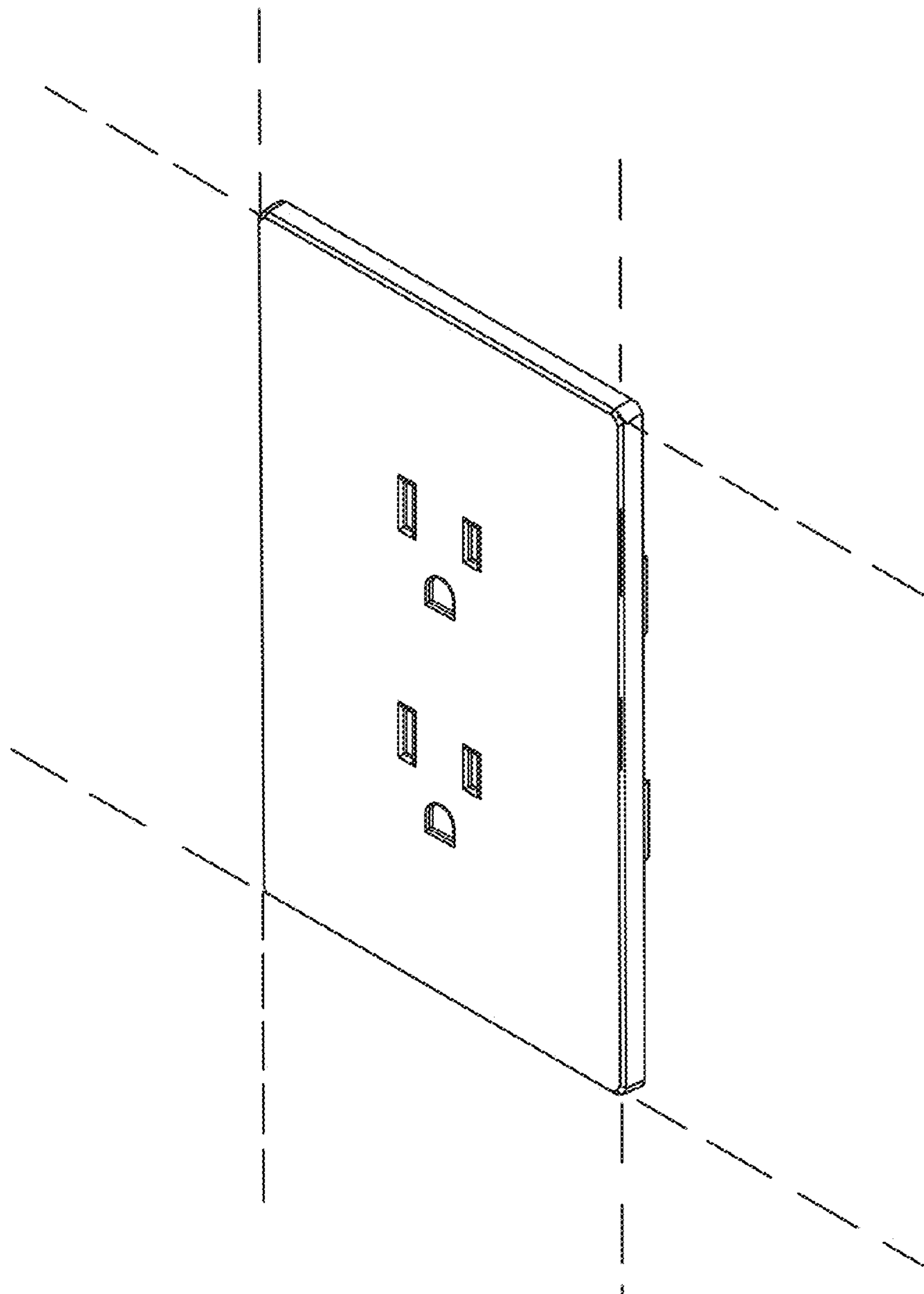


FIG.5

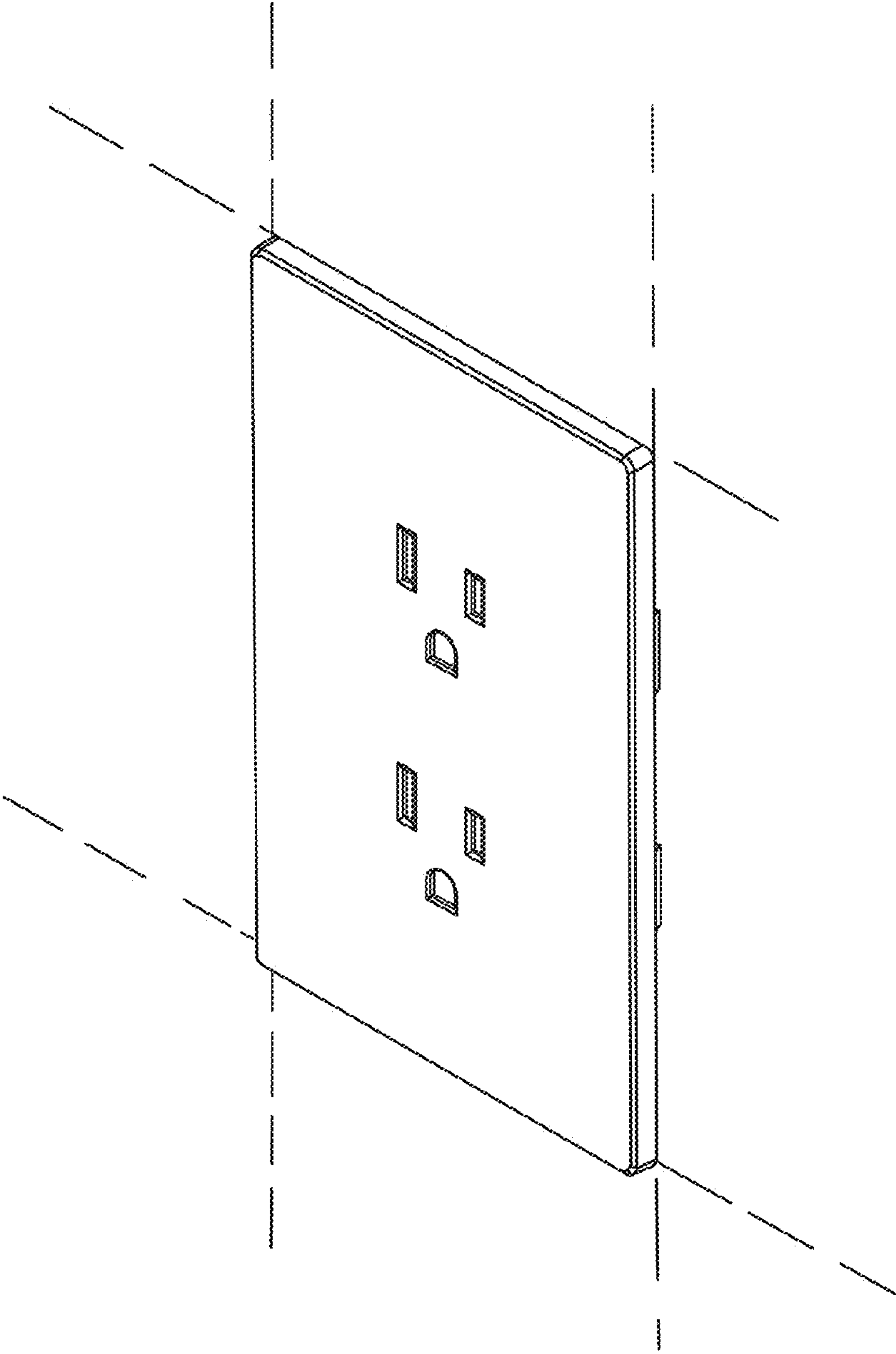


FIG.6