



US00D745370S

(12) **United States Design Patent**
Johnston

(10) **Patent No.:** **US D745,370 S**

(45) **Date of Patent:** **** Dec. 15, 2015**

- (54) **SEE THROUGH DOME MOUNT**
- (71) Applicant: **Gregory Edward Johnston**, San Jose, CA (US)
- (72) Inventor: **Gregory Edward Johnston**, San Jose, CA (US)
- (73) Assignee: **JETprotect Corporation**, San Jose, CA (US)

(**) Term: **14 Years**

(21) Appl. No.: **29/489,111**

(22) Filed: **Apr. 25, 2014**

(51) **LOC (10) Cl.** **08-08**

(52) **U.S. Cl.**
USPC **D8/349**; D8/363; D16/242

(58) **Field of Classification Search**
USPC D8/349, 354, 366, 371, 373, 374, 400, D8/380, 363; D16/201, 202, 203, 204, D16/237, 239, 240, 242; D23/385; 362/147; 248/343, 342, 345
CPC B60S 1/50; B60S 1/46; B01D 46/0005; B01D 2265/028; F02C 7/055; E05C 5/02; E05B 65/006; Y10T 24/45105; Y10T 292/0867

See application file for complete search history.

(56) **References Cited**

U.S. PATENT DOCUMENTS

D257,726	S	*	12/1980	McCarthy	D16/330
D298,760	S	*	11/1988	Yoshida et al.	D16/242
D340,940	S	*	11/1993	Ellenberger et al.	D16/242
D400,085	S	*	10/1998	Haskin	D8/363
6,198,528	B1		3/2001	Maynard		
6,665,063	B2		12/2003	Jamieson et al.		
D486,173	S	*	2/2004	Toste et al.	D16/242
D503,183	S	*	3/2005	Arbuckle et al.	D16/203
D542,684	S	*	5/2007	Nama	D10/104.1
D552,651	S	*	10/2007	Arbuckle	D16/203

7,282,695	B2		10/2007	Weber et al.		
D575,220	S	*	8/2008	Pockalny	D12/223
D600,535	S	*	9/2009	Rix	D8/354
D609,734	S	*	2/2010	Foddis	D16/242
D612,712	S	*	3/2010	Rix	D8/363
D615,115	S	*	5/2010	Arnold et al.	D16/203
D618,269	S	*	6/2010	Williams et al.	D16/242
D628,539	S	*	12/2010	Tezak et al.	D13/152
D711,211	S	*	8/2014	Walker et al.	D8/349
D714,616	S	*	10/2014	Walker et al.	D8/349

* cited by examiner

Primary Examiner — Mark Goodwin

(74) *Attorney, Agent, or Firm* — Haverstock & Owens LLP

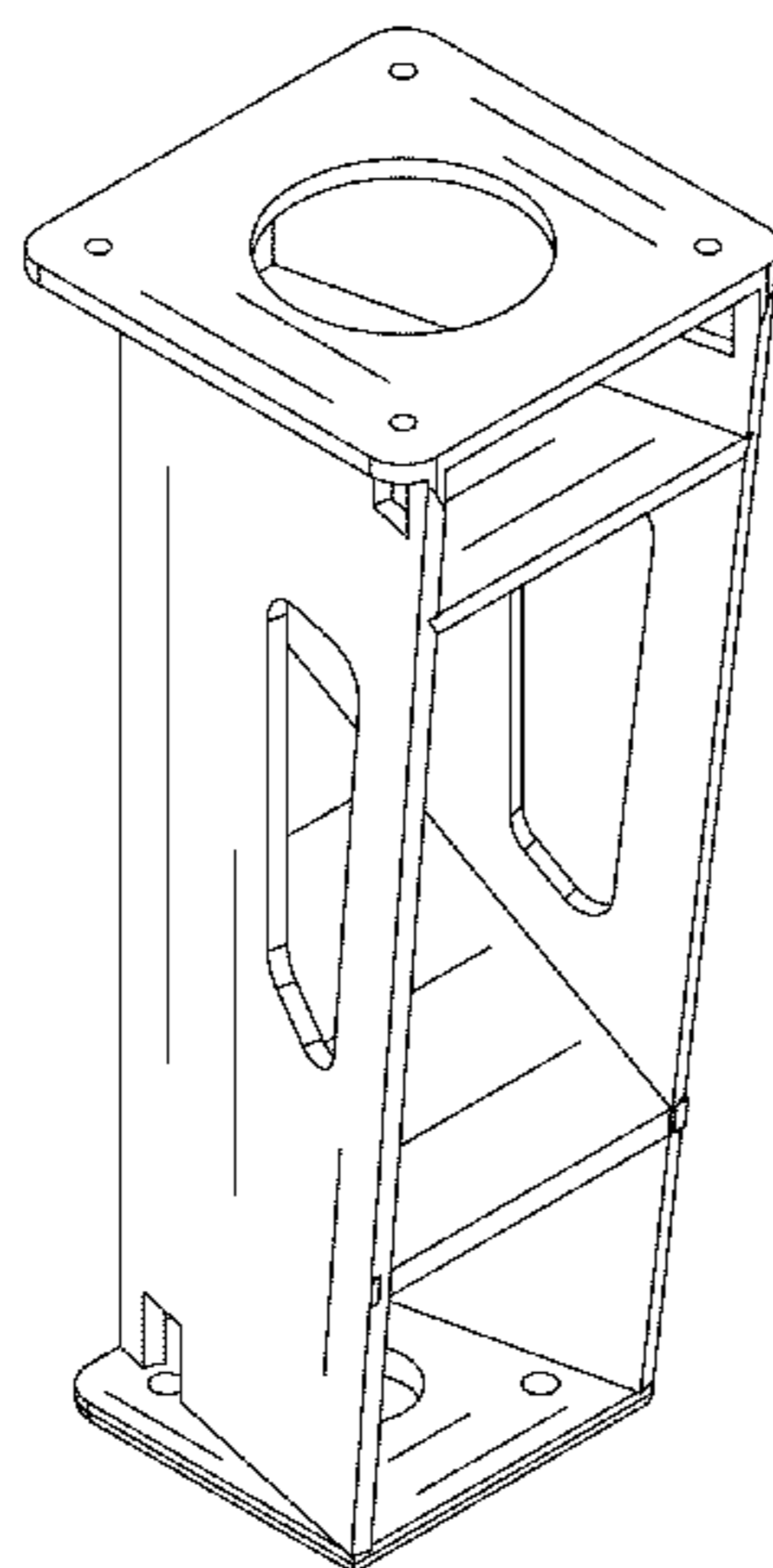
(57) **CLAIM**

I claim the ornamental design for a see through dome mount, as shown and described.

DESCRIPTION

FIG. 1 is a back side view of the see through dome mount showing my new design;
 FIG. 2 is a right side view of the see through dome mount;
 FIG. 3 is a front side view of the see through dome mount;
 FIG. 4 is a left side view of the see through dome mount;
 FIG. 5 is a top side view of the see through dome mount;
 FIG. 6 is a bottom side view of the see through dome mount;
 FIG. 7 is a bottom-right-back perspective view of the see through dome mount;
 FIG. 8 is a top-right-back perspective view of the see through dome mount;
 FIG. 9 is a top-left-back perspective view of the see through dome mount;
 FIG. 10 is another bottom-right-back perspective view of the see through dome mount;
 FIG. 11 is a top-right-front perspective view of the see through dome mount;
 FIG. 12 is a bottom-right-front perspective view of the see through dome mount; and,
 FIG. 13 is another top-right-front perspective view of the see through dome mount.

1 Claim, 12 Drawing Sheets



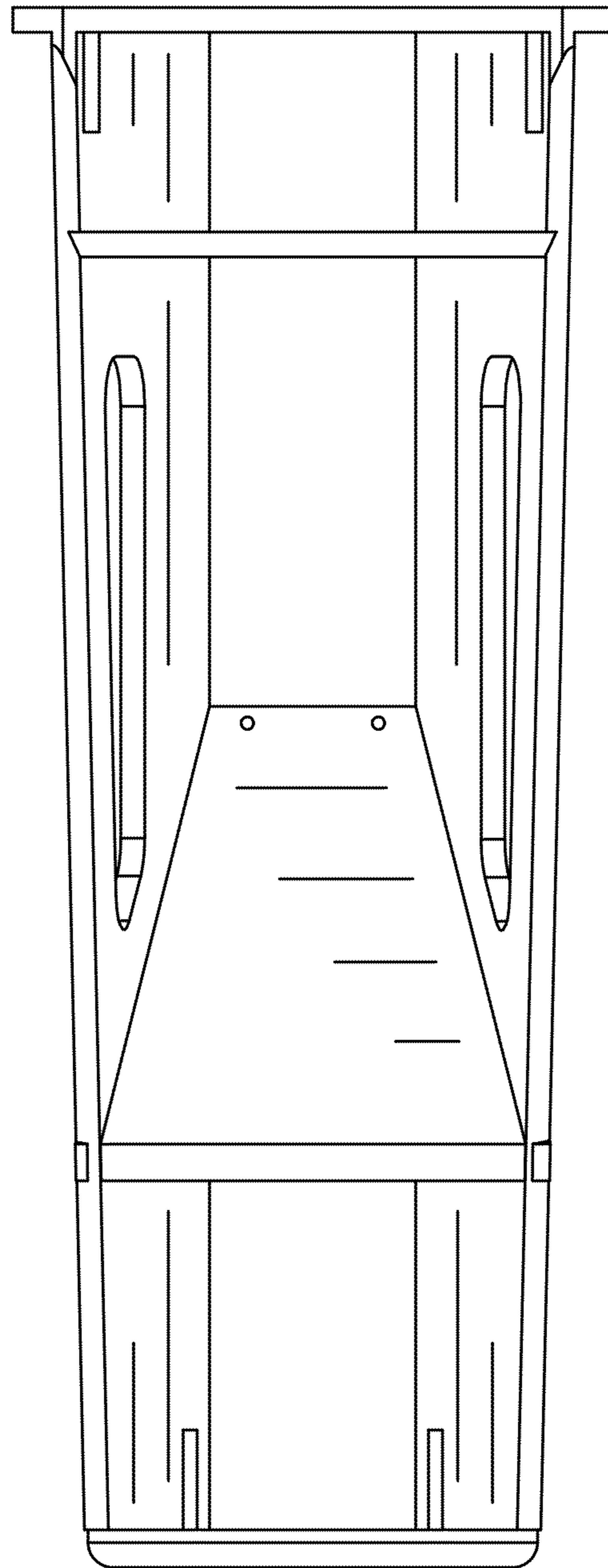


Fig. 1

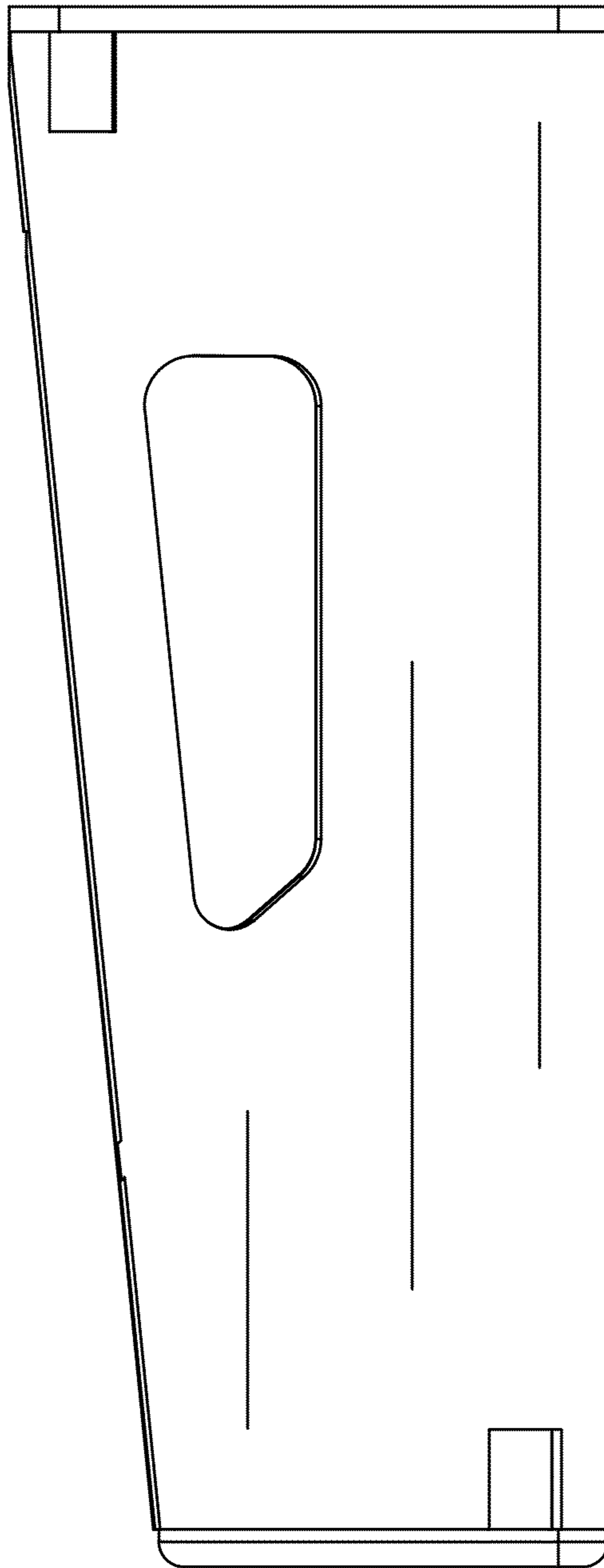


Fig. 2

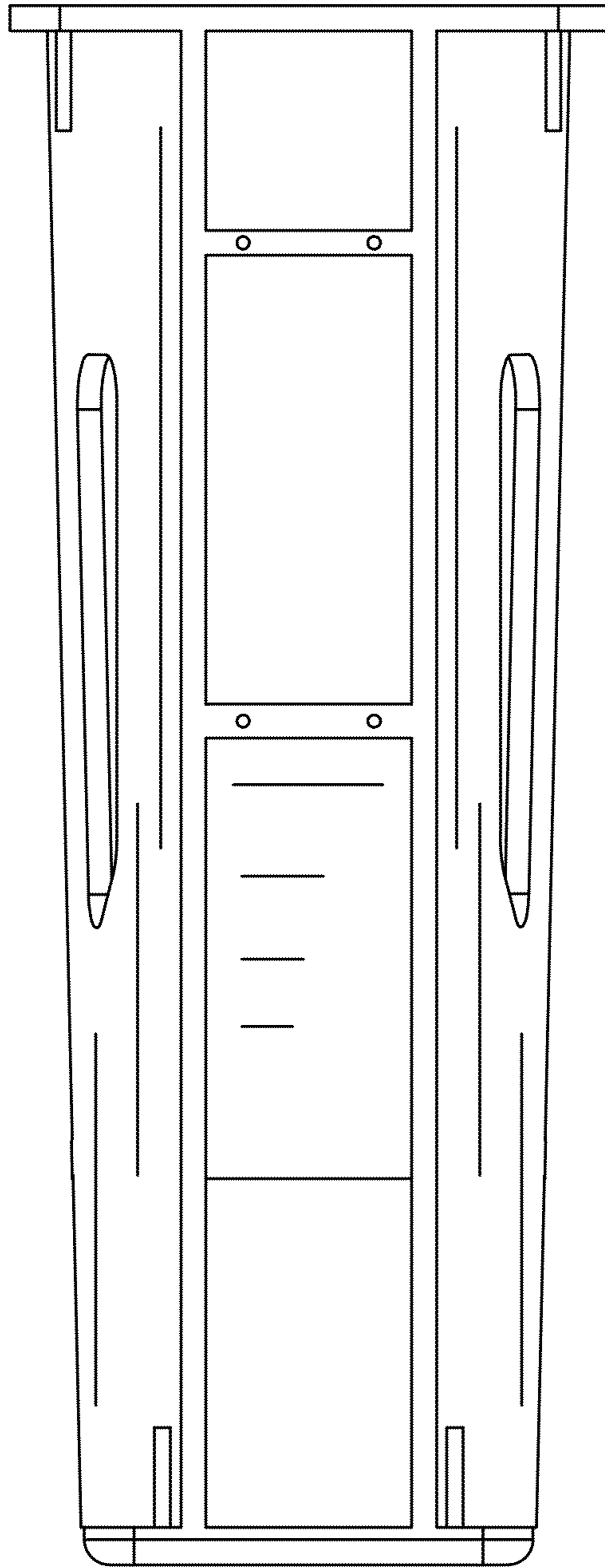


Fig. 3

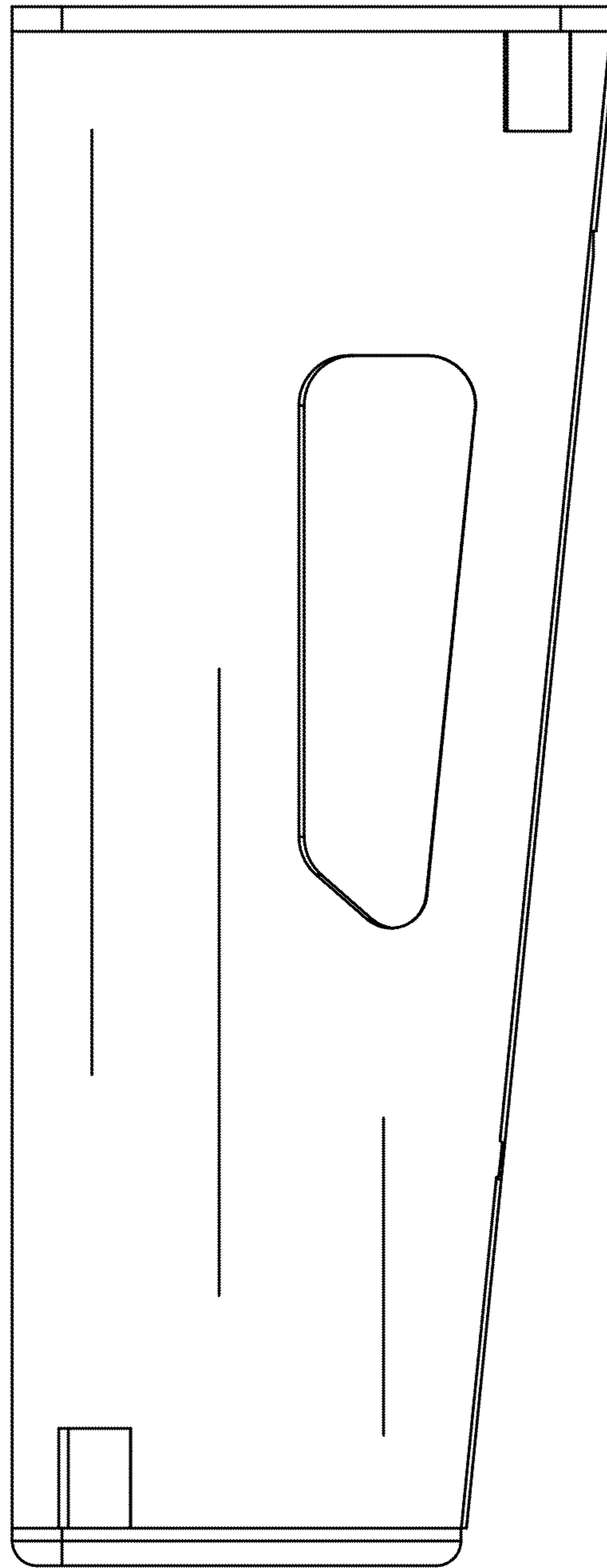


Fig. 4

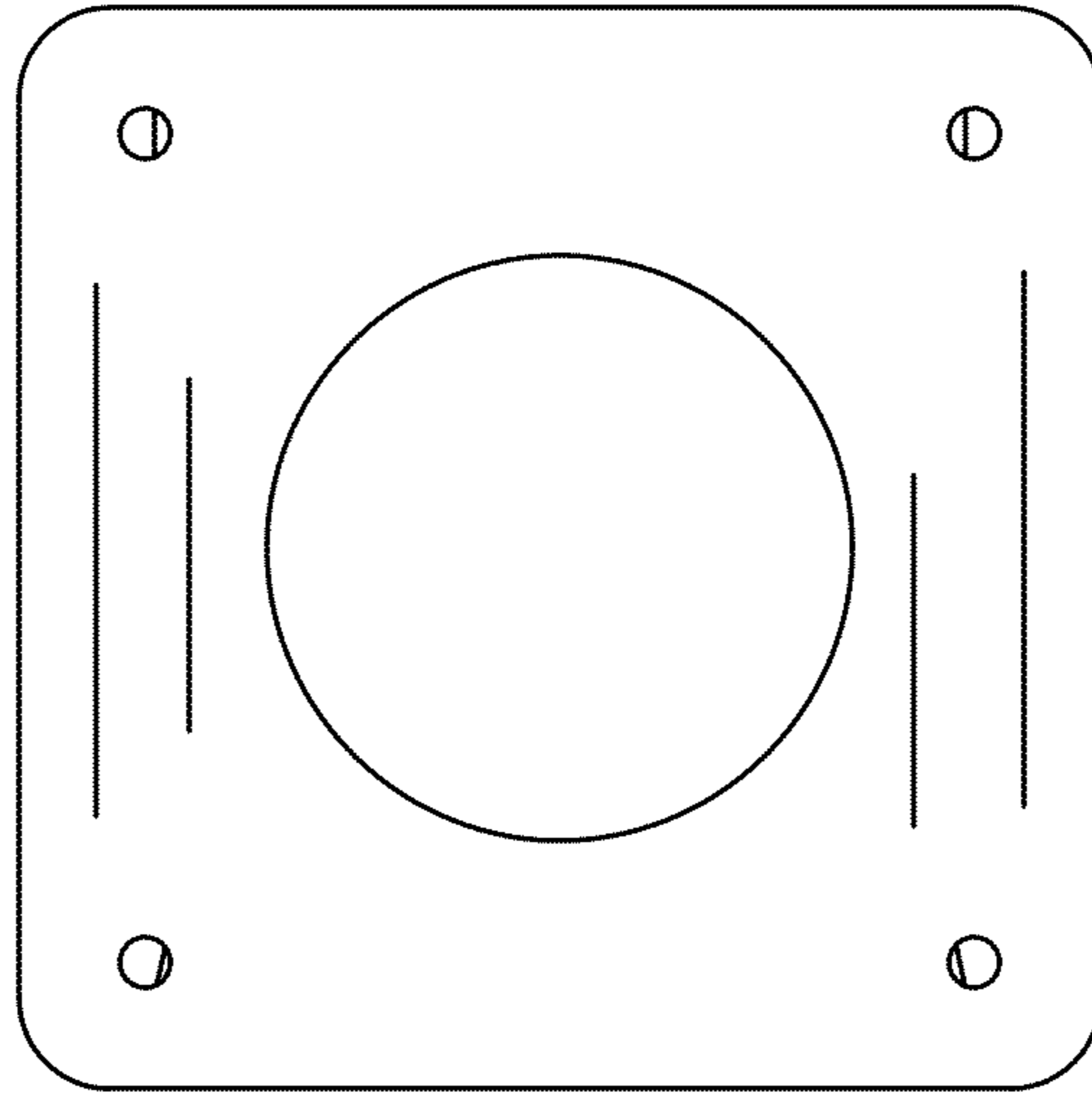


Fig. 5

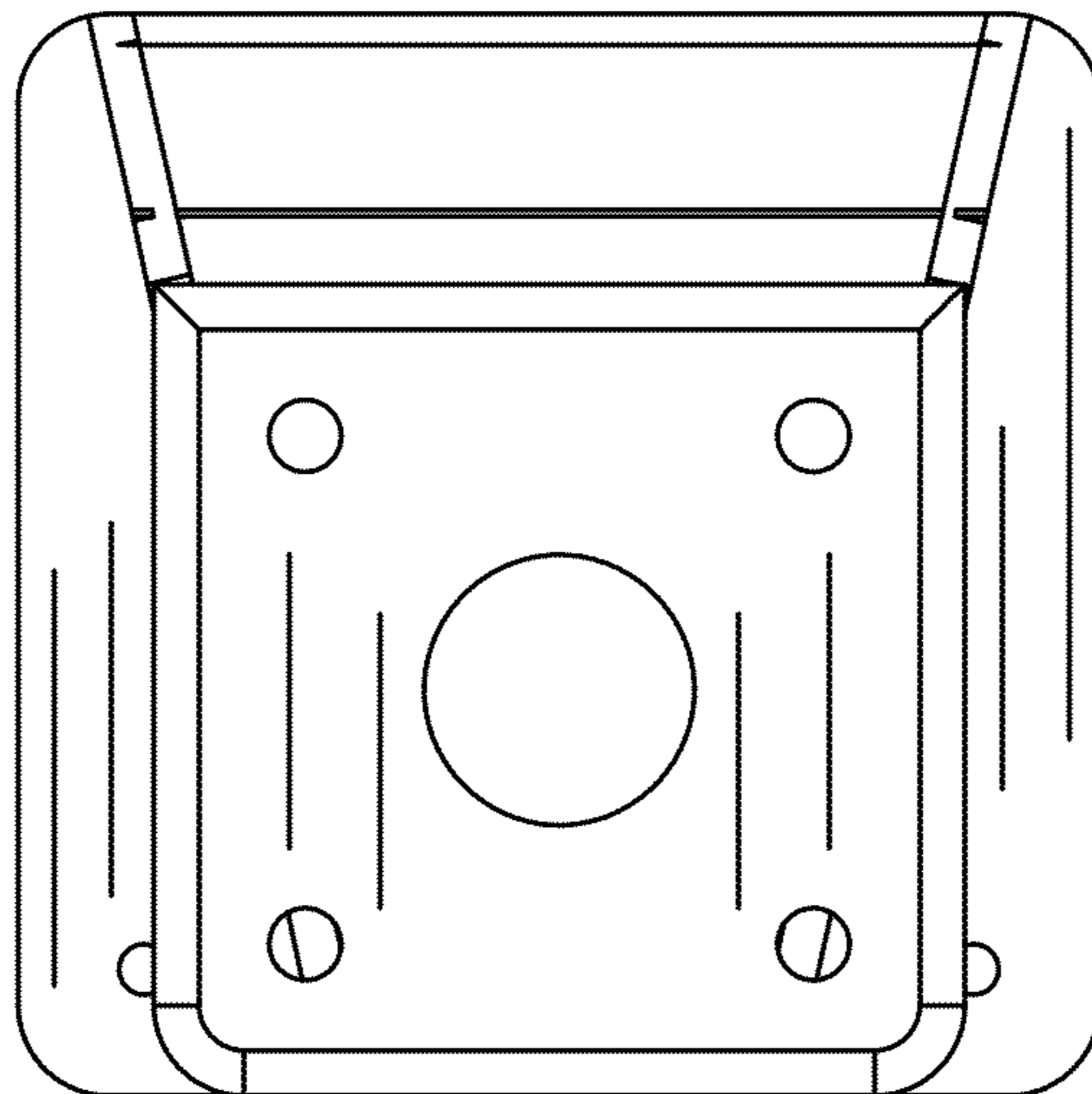


Fig. 6

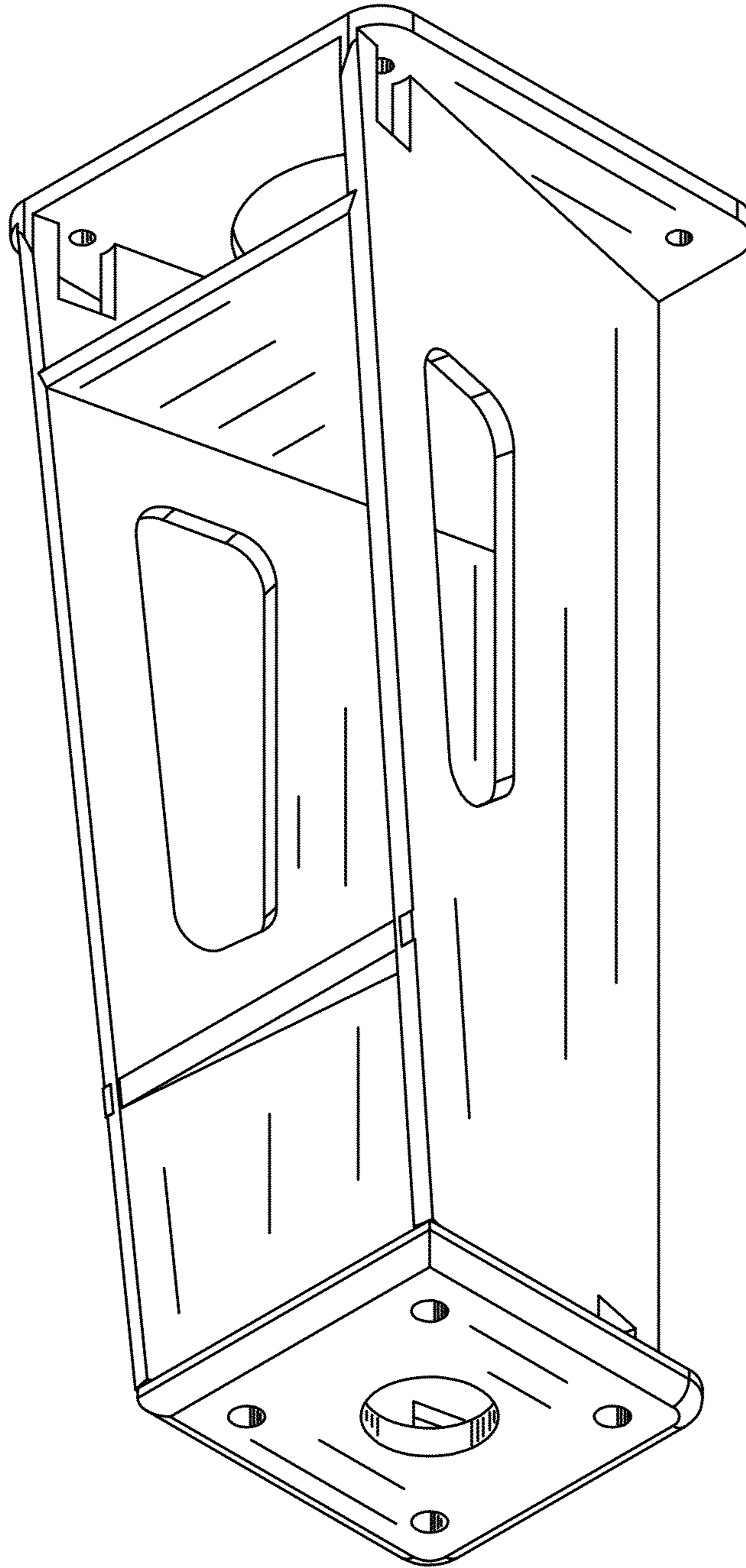


Fig. 7

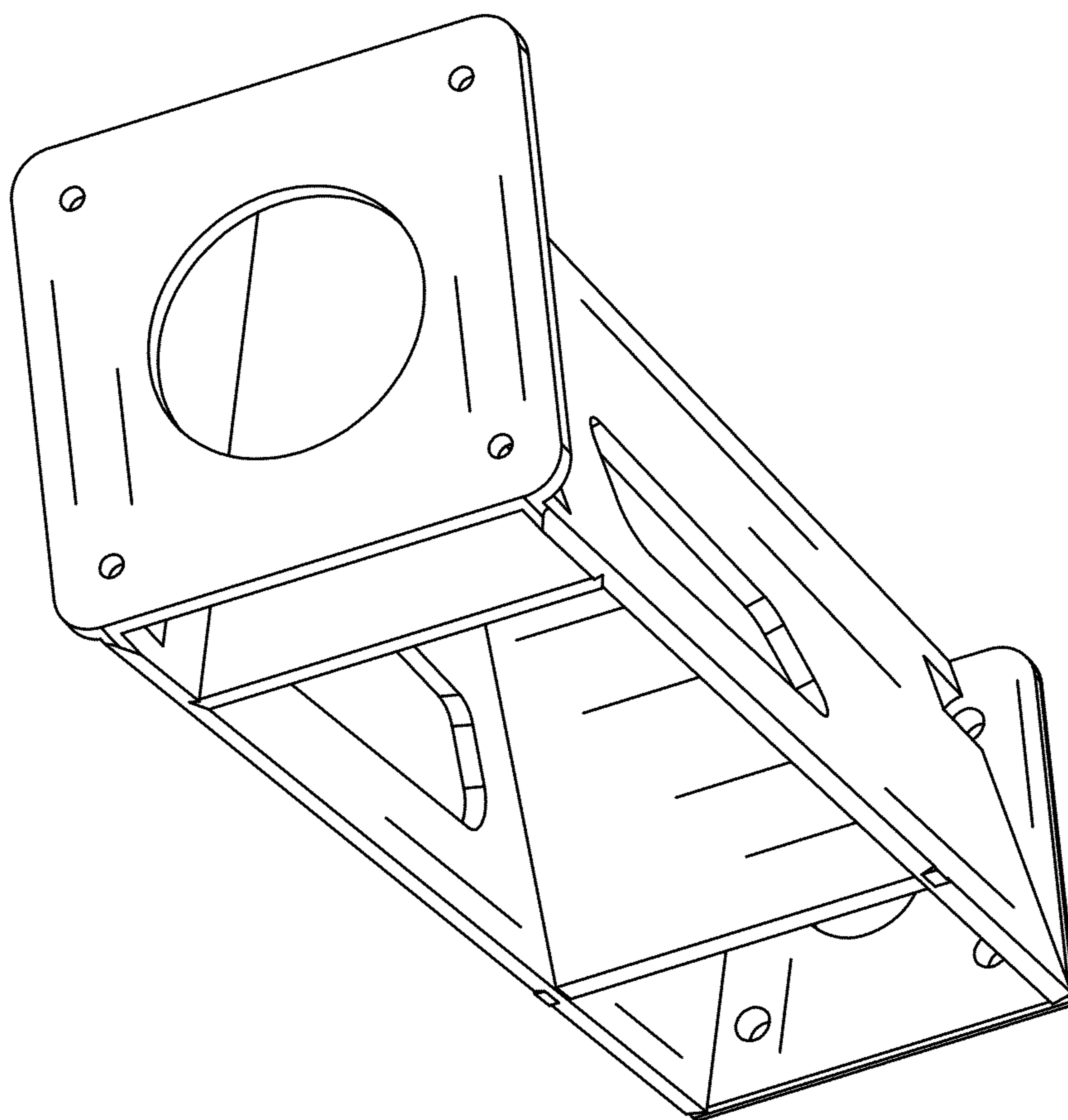


Fig. 8

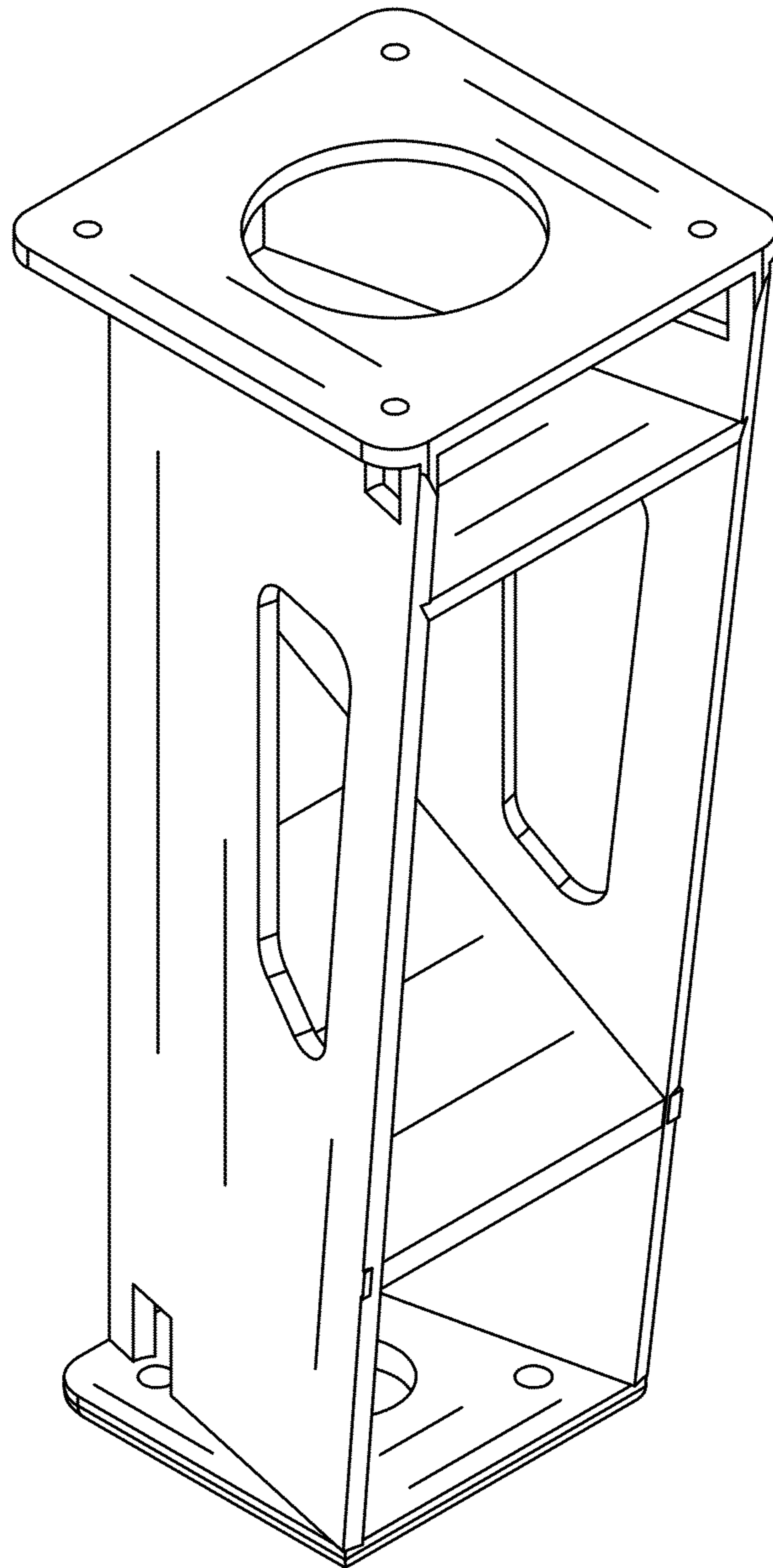


Fig. 9

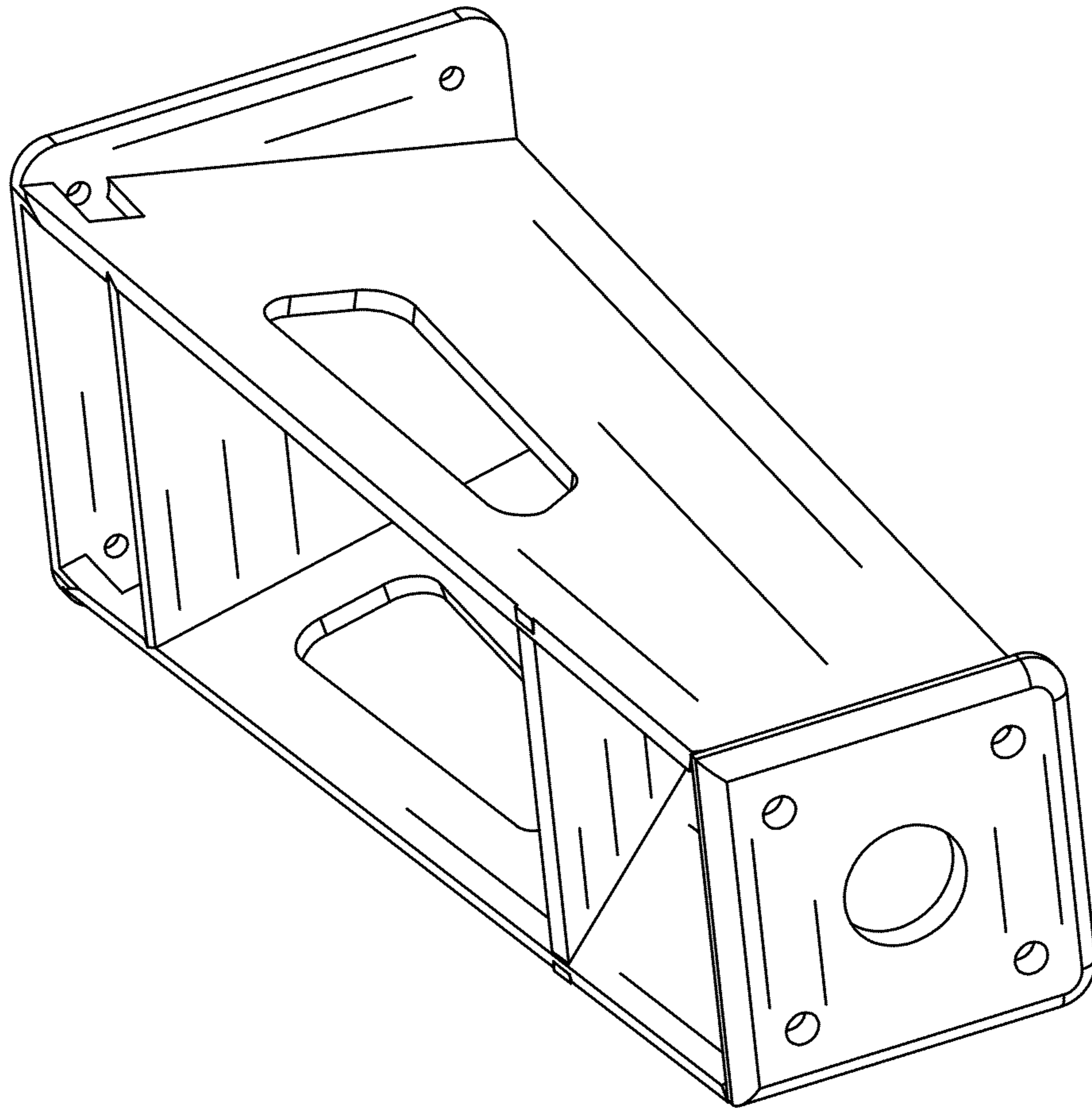


Fig. 10

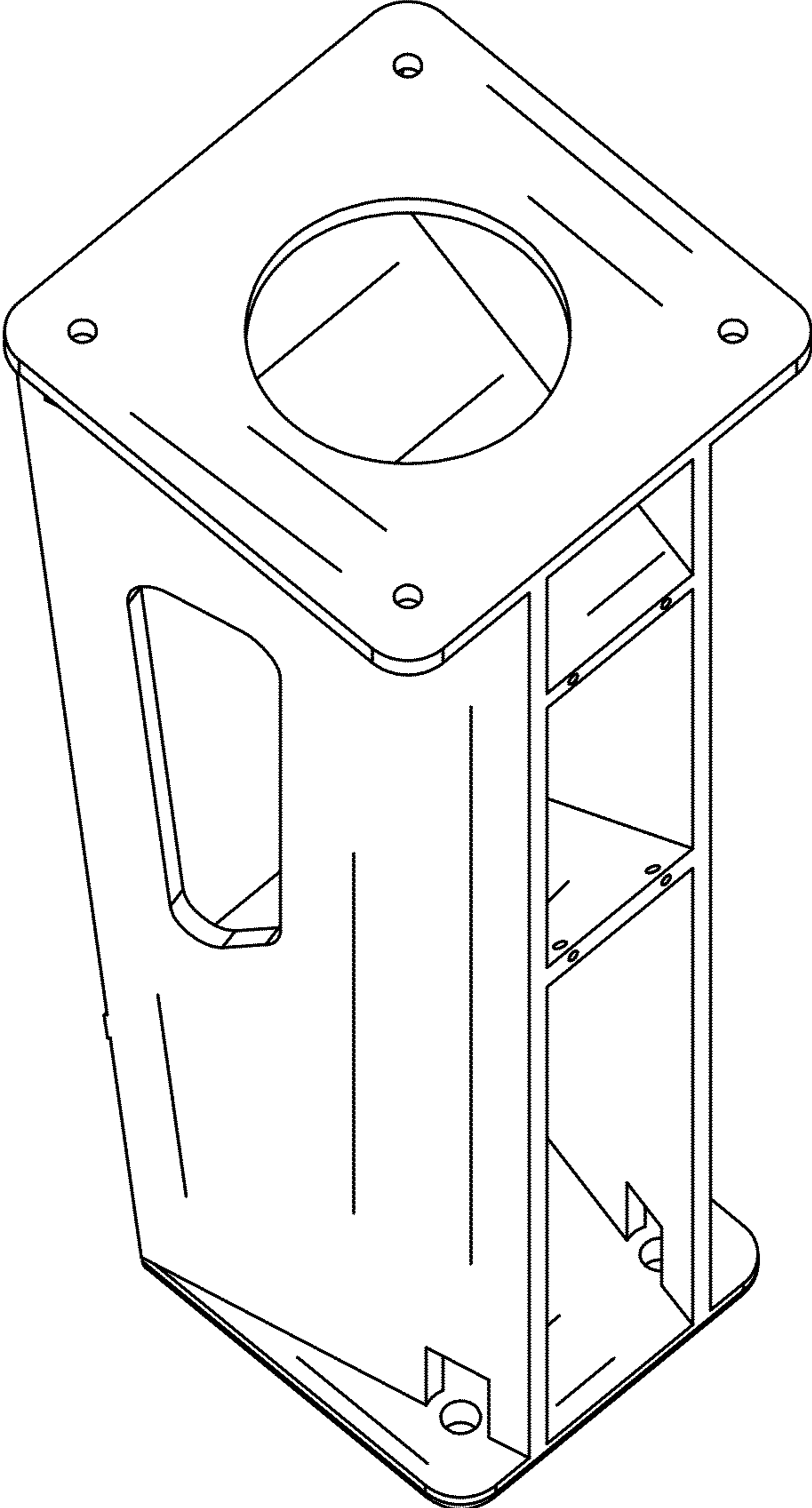


Fig. 11

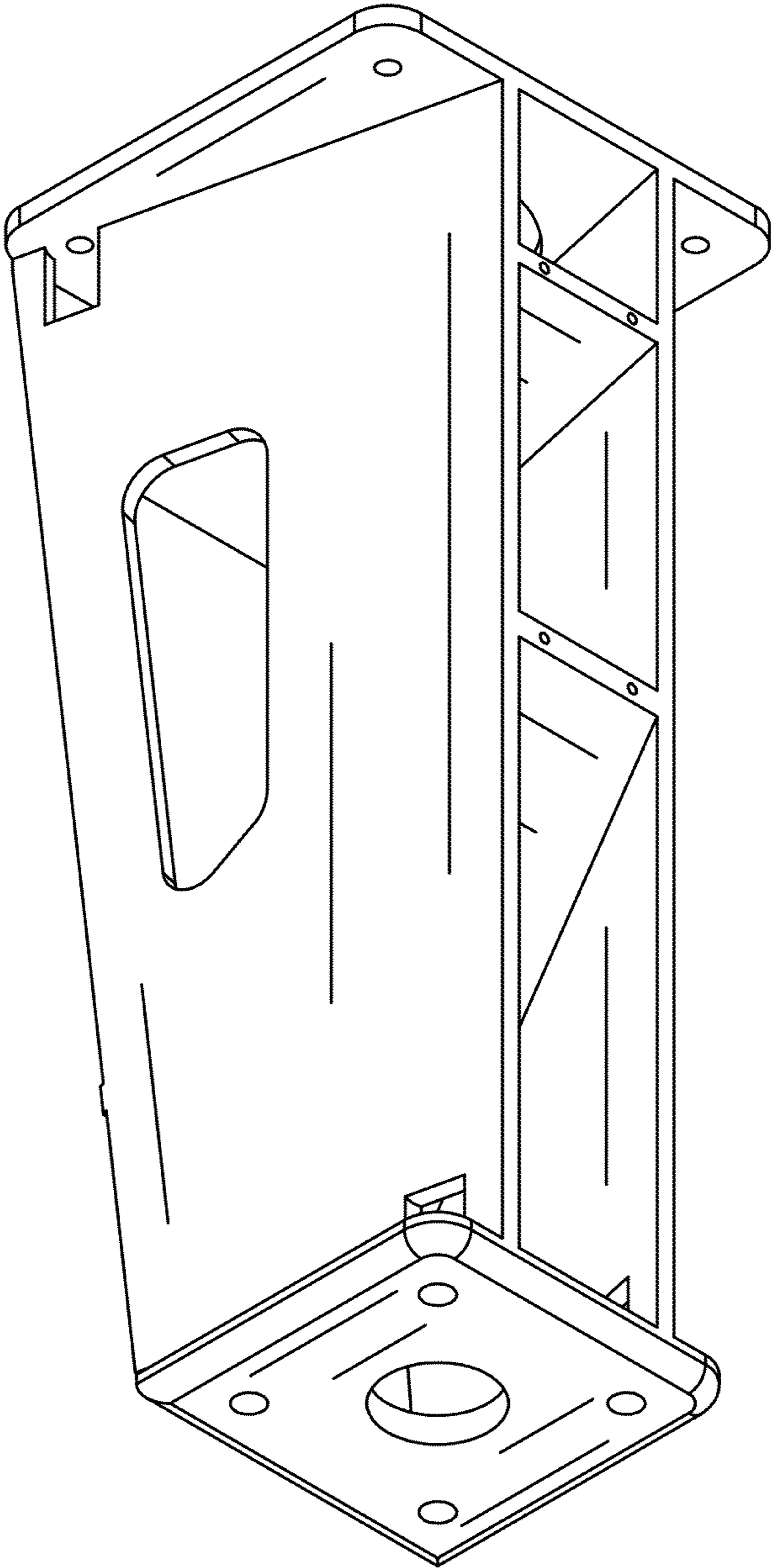


Fig. 12

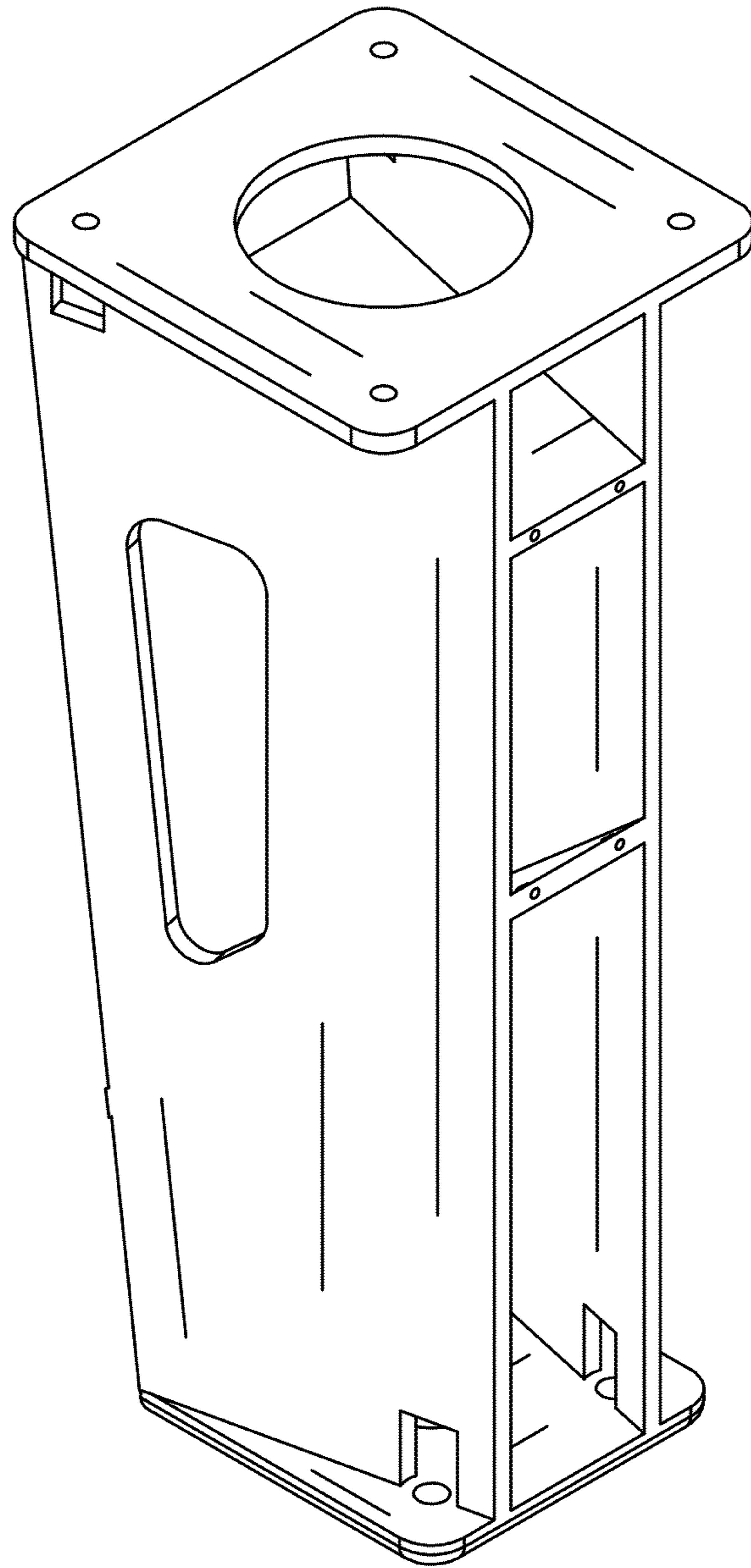


Fig. 13