



US00D745369S

(12) **United States Design Patent**
Tungesvick

(10) **Patent No.:** **US D745,369 S**

(45) **Date of Patent:** **** Dec. 15, 2015**

- (54) **HINGED MOUNTING DEVICE**
- (71) Applicant: **Steven M. Tungesvick**, Loveland, CO (US)
- (72) Inventor: **Steven M. Tungesvick**, Loveland, CO (US)
- (73) Assignee: **SOFT TOUCH MANUFACTURING INC.**, Loveland, CO (US)
- (**) Term: **14 Years**
- (21) Appl. No.: **29/449,311**
- (22) Filed: **Mar. 14, 2013**
- (51) **LOC (10) Cl.** **08-08**
- (52) **U.S. Cl.**
USPC **D8/349**
- (58) **Field of Classification Search**
USPC D8/323, 349, 354, 355, 373, 380, 382, D8/499; D11/182, 183; D12/223, 400, D12/415; D32/50, 51, 39, 40; 248/217
CPC F16M 11/00; F16B 2/00; F16B 23/00; F16B 5/061; F16B 45/00; F16C 11/10
See application file for complete search history.

- 5,588,630 A * 12/1996 Chen-Chao 248/514
- D381,571 S * 7/1997 Wu D8/354
- D424,570 S * 5/2000 Hockett et al. D14/238
- D427,890 S * 7/2000 Griffin et al. D8/355
- D567,810 S * 4/2008 Yeh D14/253
- D578,868 S * 10/2008 Ramakers et al. D8/354
- D683,509 S * 5/2013 Tseng D32/50
- D725,846 S * 3/2015 Lambert D30/158
- 2009/0108155 A1 * 4/2009 Benitez 248/217.4

* cited by examiner

Primary Examiner — Thomas Johannes

Assistant Examiner — Shawn T Gingrich

(74) *Attorney, Agent, or Firm* — Paul M. Thompson; Cochran Freund & Young LLC

(57) **CLAIM**

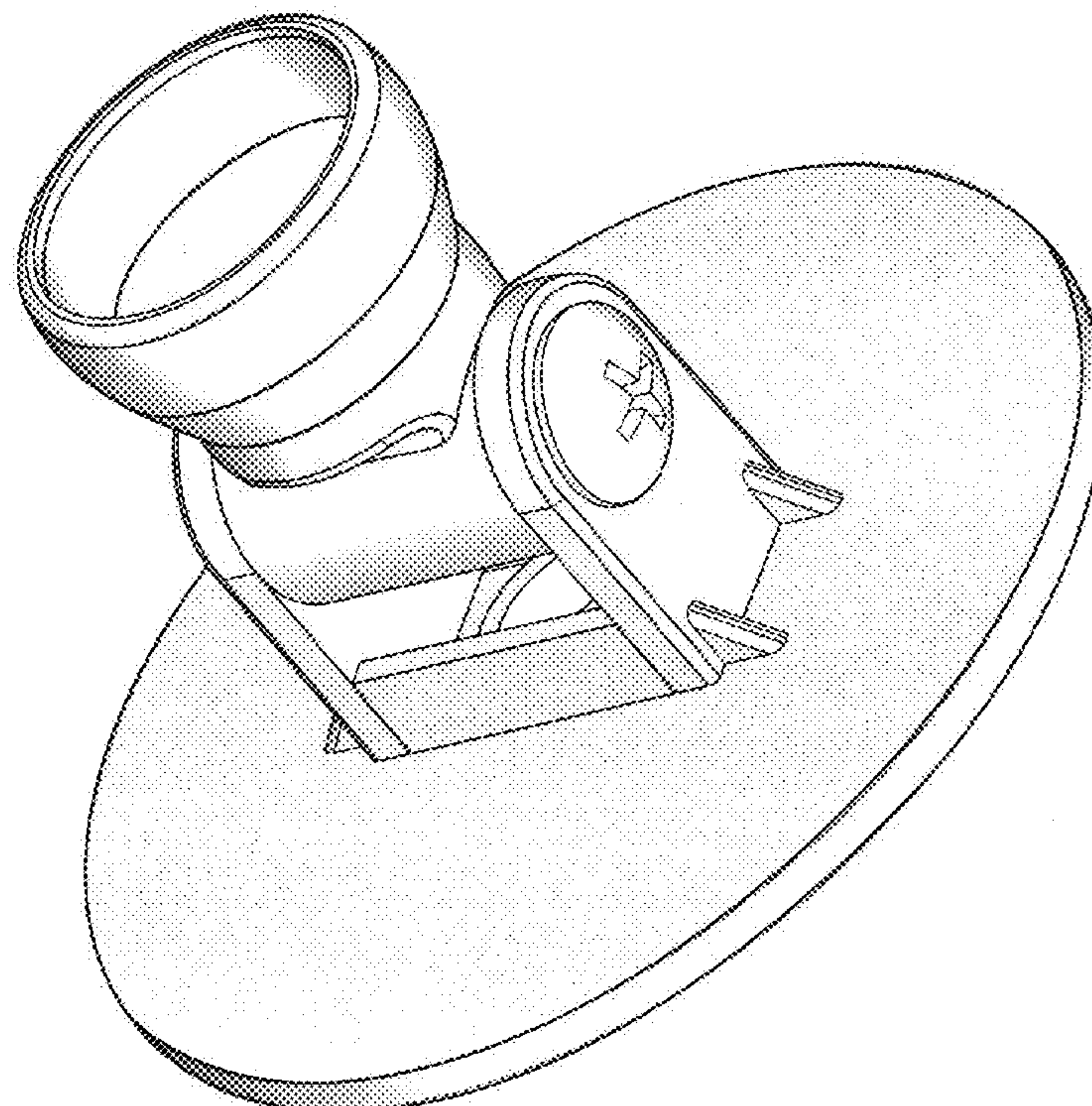
The ornamental design for a hinged mounting device, as shown and described.

DESCRIPTION

FIG. 1 is an isometric view of a hinged mounting device showing my new design.
 FIG. 2 is a left side elevation view thereof.
 FIG. 3 is a right side elevation view thereof.
 FIG. 4 is a front elevation view thereof.
 FIG. 5 is a rear elevation view thereof.
 FIG. 6 is a top plan view thereof; and,
 FIG. 7 is a bottom plan view thereof.
 The broken lines shown in FIG. 6 represent unclaimed subject matter and forms no part of the claim design.

1 Claim, 5 Drawing Sheets

- (56) **References Cited**
U.S. PATENT DOCUMENTS
- 661,048 A * 11/1900 Hart 403/187
- D269,945 S * 8/1983 Carney D8/355
- D332,789 S * 1/1993 Rak D14/251
- D340,676 S * 10/1993 Gallagher D11/182



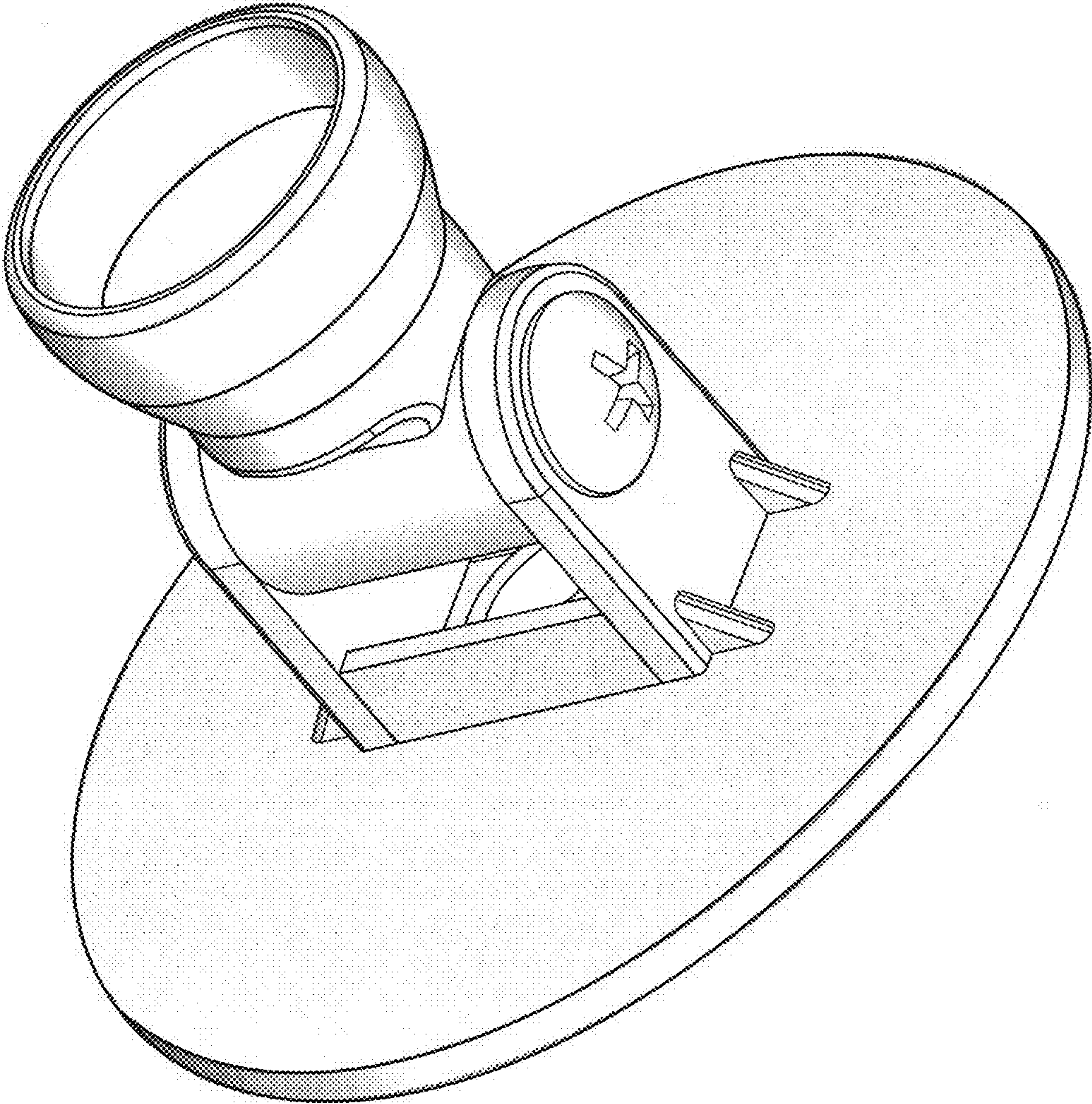


Fig. 1

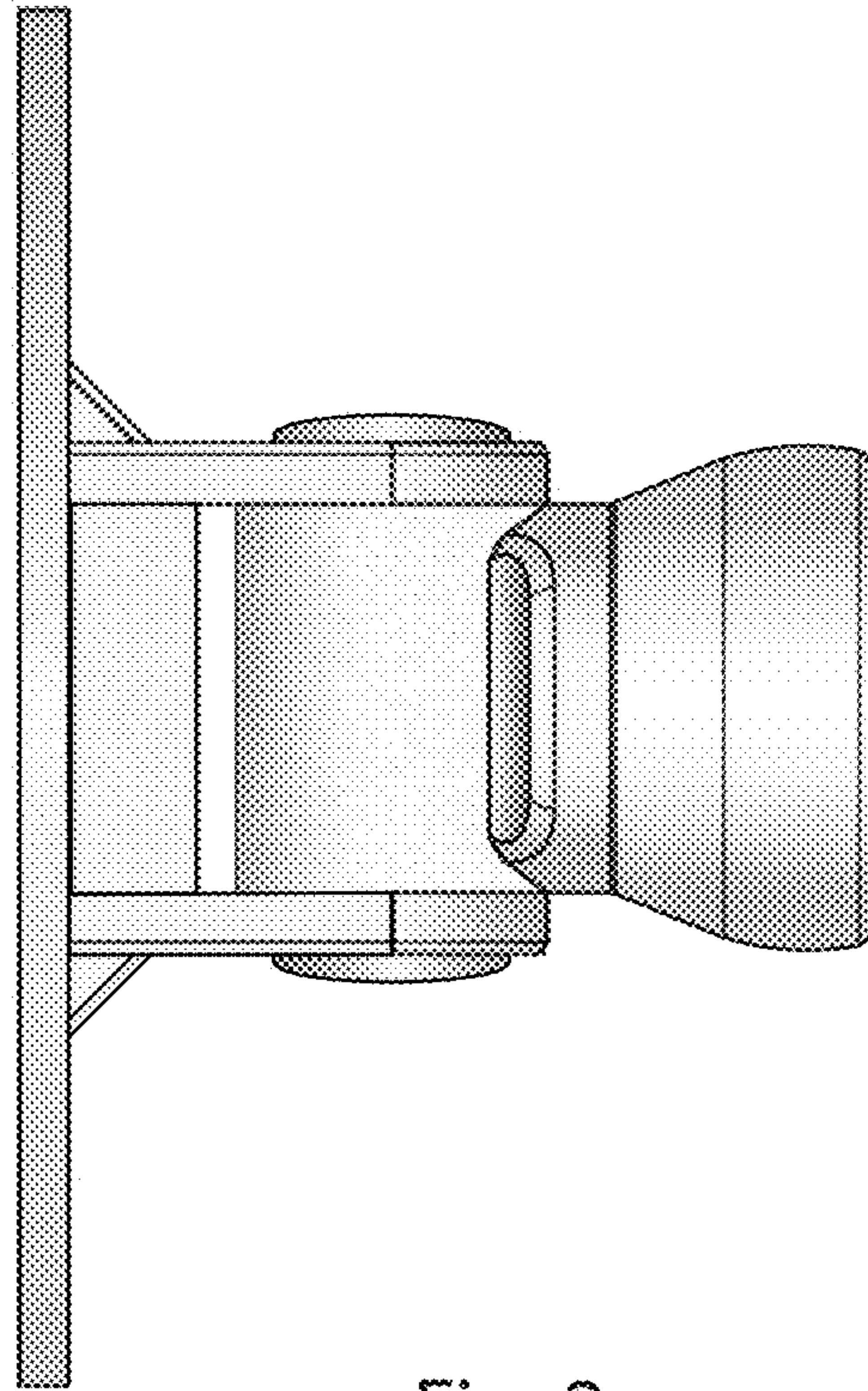


Fig. 2

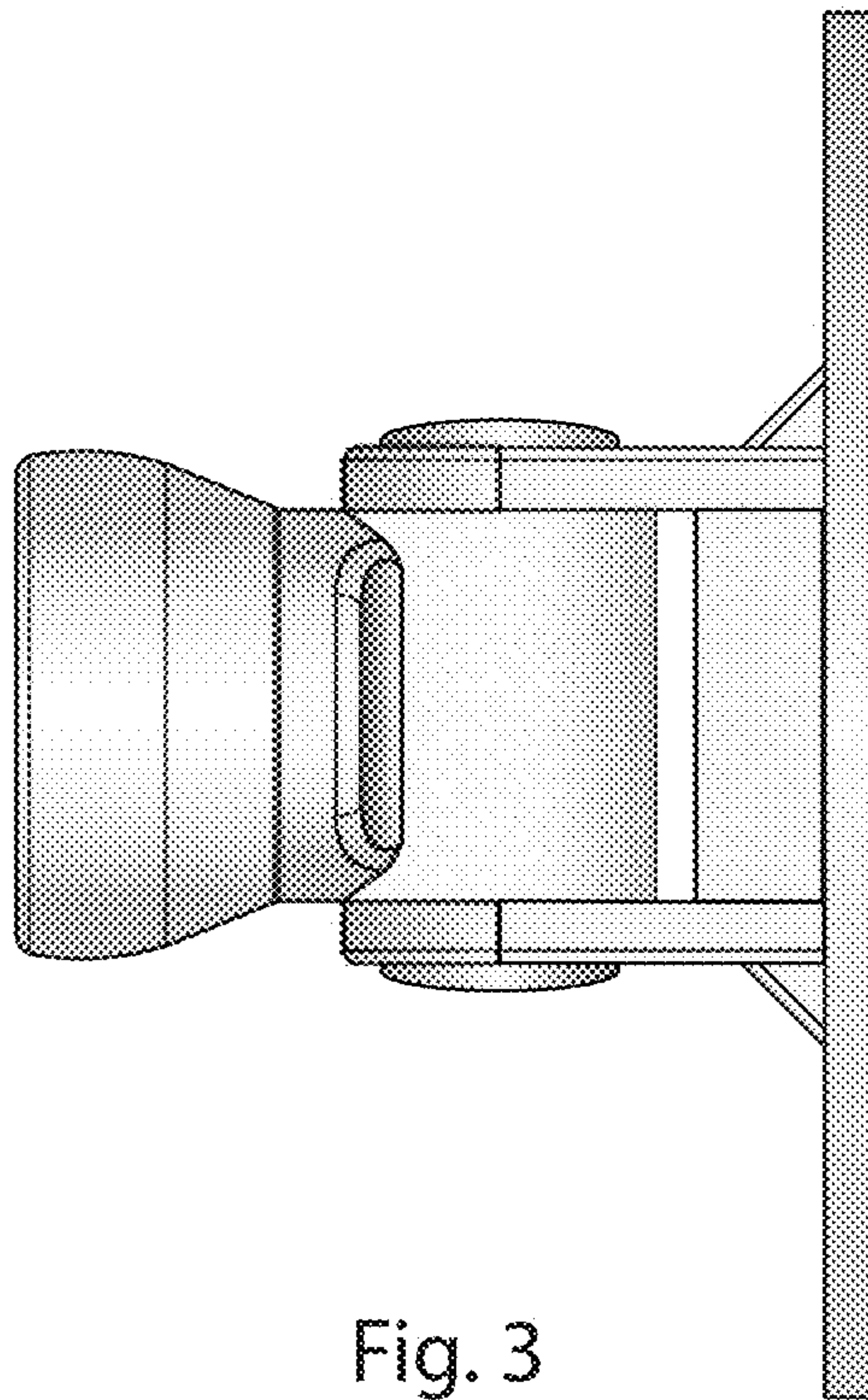


Fig. 3

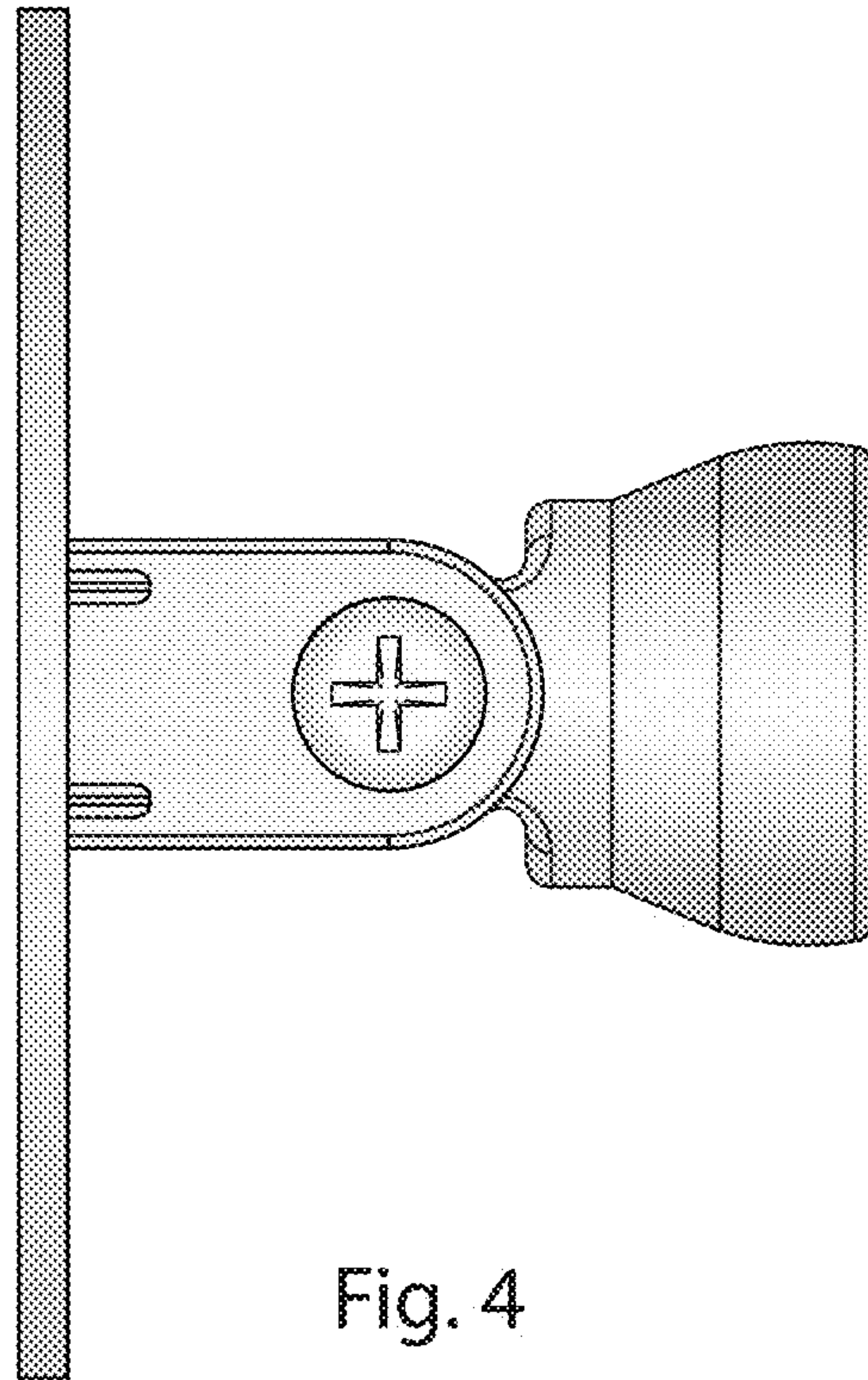


Fig. 4

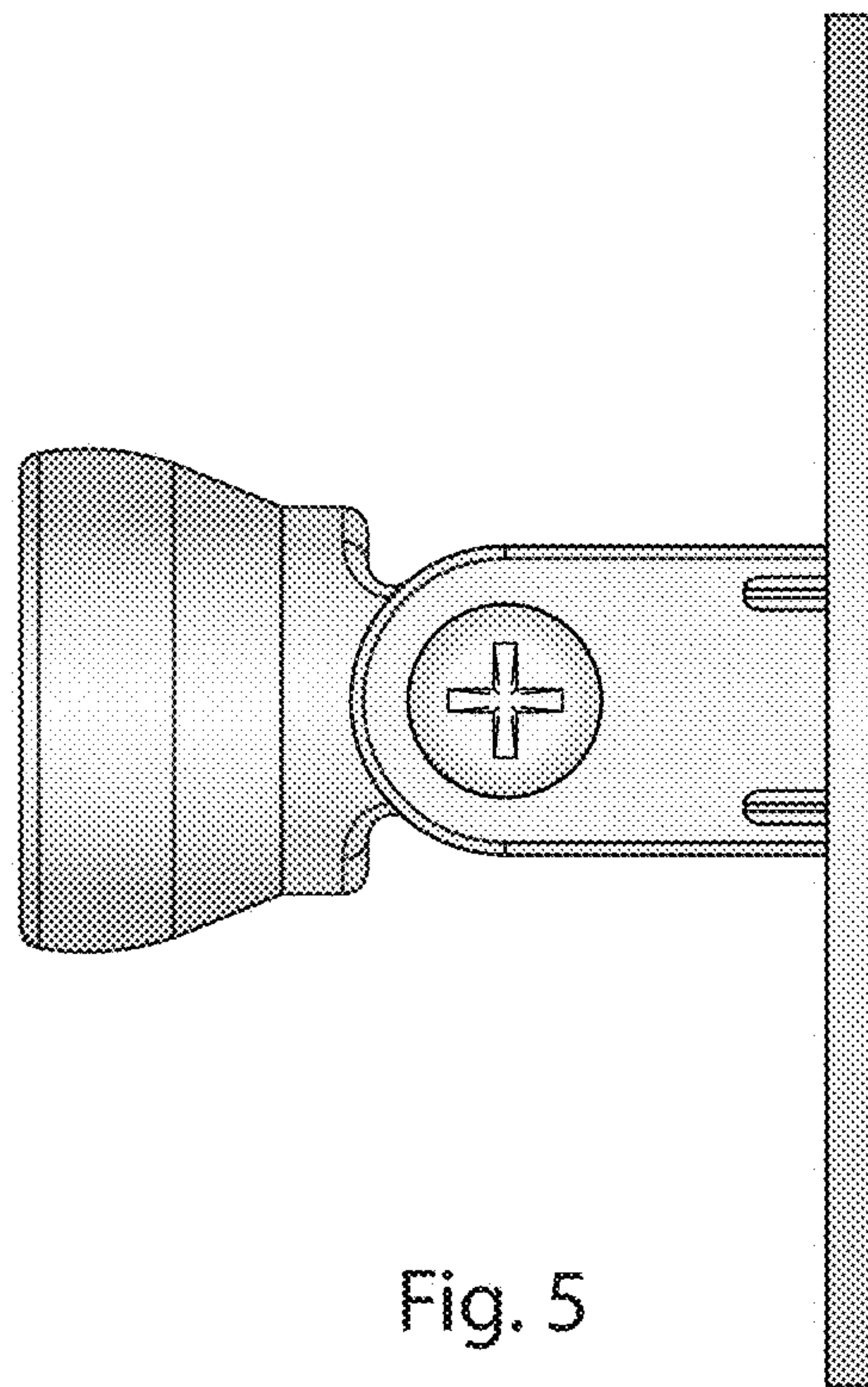


Fig. 5

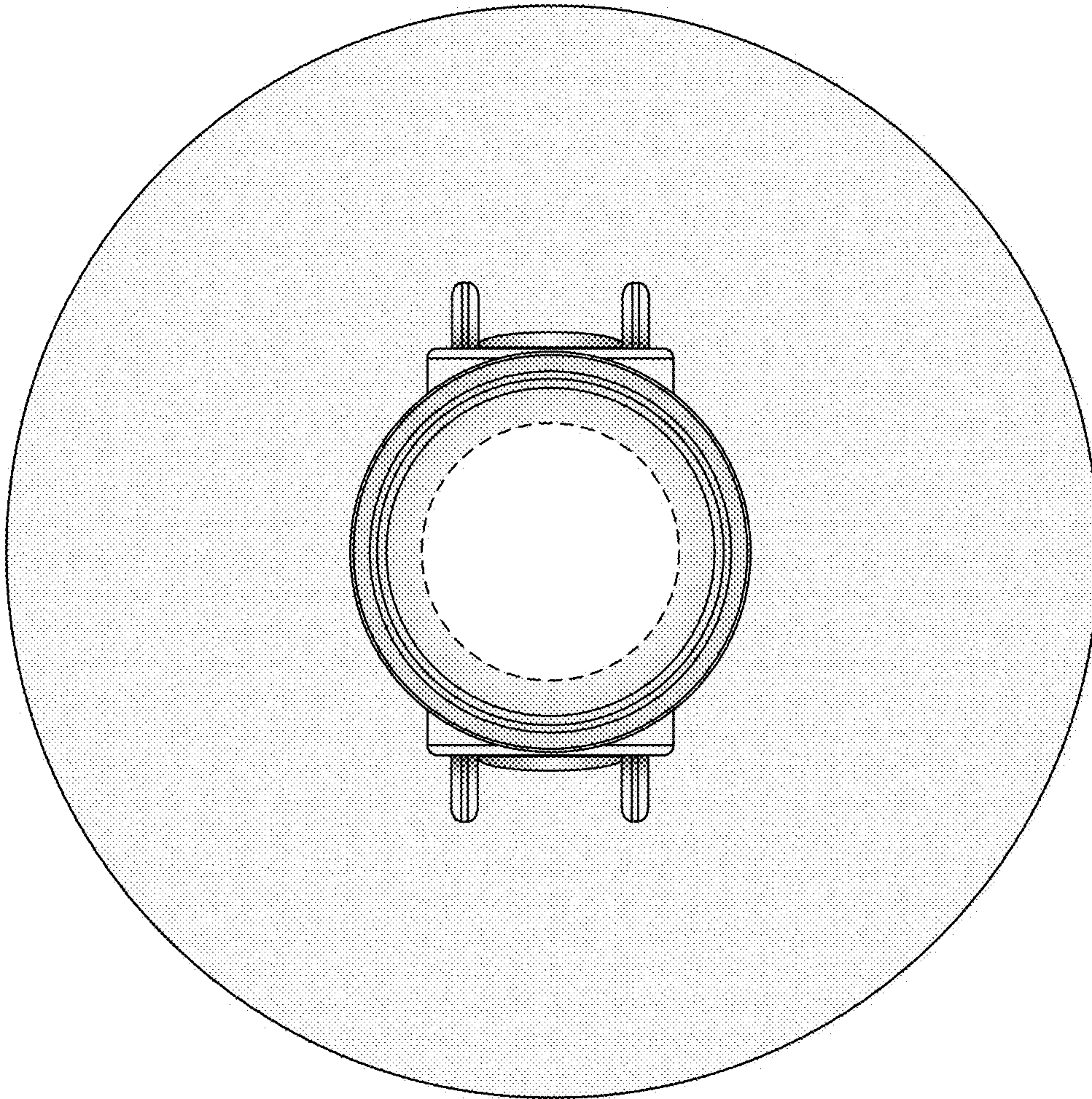


Fig. 6

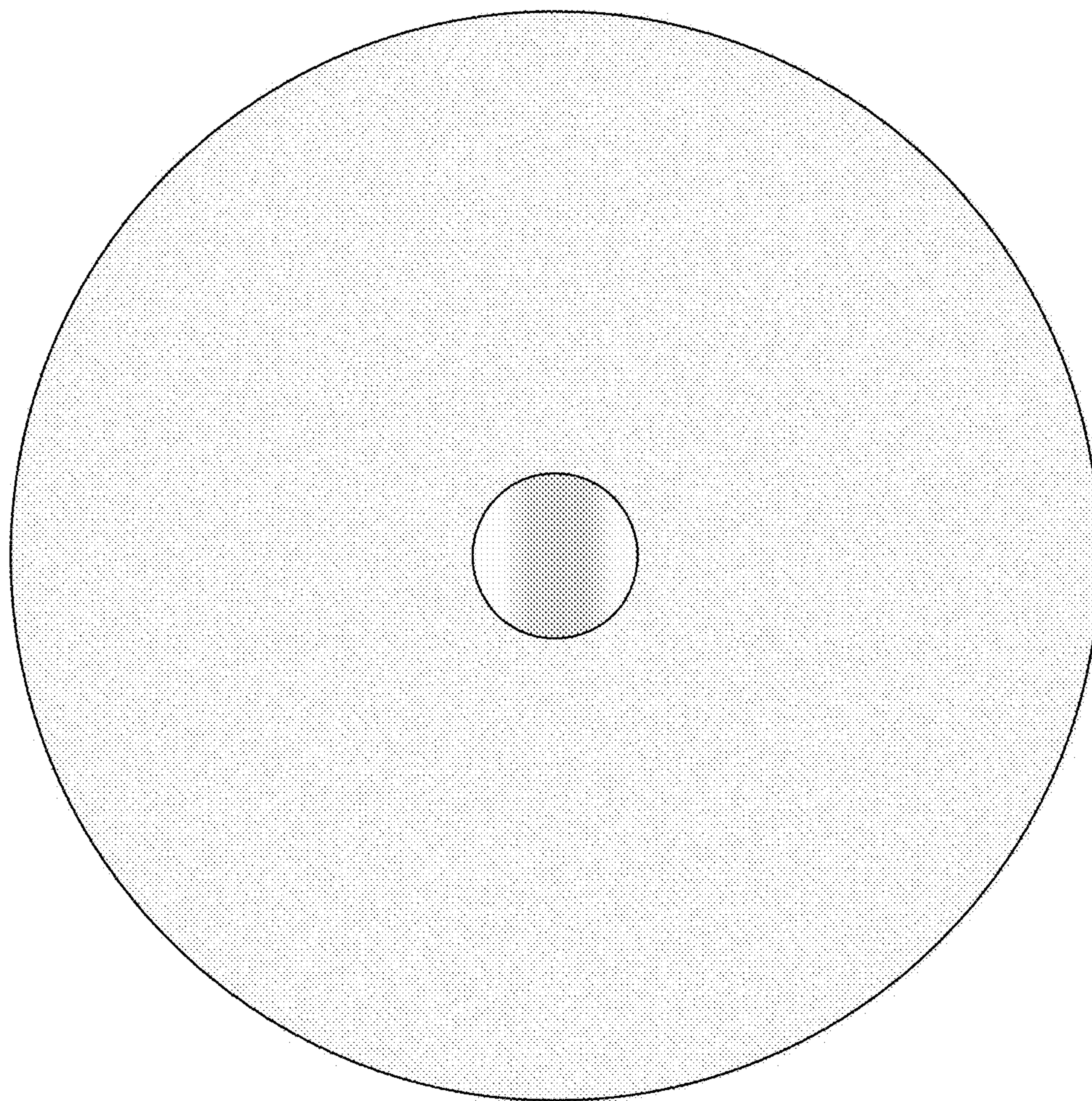


Fig. 7