



US00D745366S

(12) **United States Design Patent**
Ocklenburg

(10) **Patent No.:** **US D745,366 S**

(45) **Date of Patent:** **** Dec. 15, 2015**

(54) **FOLDING LOCK**

(71) Applicant: **ABUS August Bremicker Söhne KG**,
Wetter-Volmarstein (DE)

(72) Inventor: **Matthias Ocklenburg**, Wuppertal (DE)

(73) Assignee: **ABUS August Bremicker Söhne KG**,
Wetter-Volmarstein (DE)

(**) Term: **14 Years**

(21) Appl. No.: **29/497,065**

(22) Filed: **Jul. 21, 2014**

(30) **Foreign Application Priority Data**

Jan. 24, 2014	(EM)	002391169-0001
Jan. 24, 2014	(EM)	002391169-0002
Jan. 24, 2014	(EM)	002391169-0003
Jan. 24, 2014	(EM)	002391169-0004
Jan. 24, 2014	(EM)	002391169-0005
Jan. 24, 2014	(EM)	002391169-0006
Jan. 24, 2014	(EM)	002391169-0007
Jan. 24, 2014	(EM)	002391169-0008
Jan. 24, 2014	(EM)	002391169-0009

(51) **LOC (10) Cl.** **08-07**

(52) **U.S. Cl.**
USPC **D8/339**

(58) **Field of Classification Search**
USPC D8/330, 331, 334, 343, 324, 349;
70/14, 20, 31, 35, 57, 57.1, 58, 233,
70/237-258, DIG. 37, DIG. 26, 18
CPC E05B 71/00; E05B 73/00; B62J 1/00;
B62H 5/00; B62H 5/02; B62H 5/14
See application file for complete search history.

(56) **References Cited**

U.S. PATENT DOCUMENTS

3,747,376 A * 7/1973 White, Jr. 70/18
5,475,993 A * 12/1995 Kuo 70/18

(Continued)

FOREIGN PATENT DOCUMENTS

DE 102005040066 A1 3/2007
EM 000396452-0001 8/2005

(Continued)

OTHER PUBLICATIONS

“Specialized—Bicycles & Equipment Spring 2003”.

(Continued)

Primary Examiner — Prabhakar Deshmukh

(74) *Attorney, Agent, or Firm* — Dinsmore & Shohl LLP

(57) **CLAIM**

The ornamental design for a folding lock, as shown and described.

DESCRIPTION

This file of this patent application file contains at least one drawing/photograph executed in color. Copies of this patent with color drawing(s)/photograph(s) will be provided by the Office upon request and payment of the necessary fee.

FIG. 1 is a front elevational view of a folding lock showing my new design;

FIG. 2 is a bottom plan view thereof;

FIG. 3 is a rear elevational view thereof;

FIG. 4 is a top plan view thereof;

FIG. 5 is an enlarged right side elevational view thereof;

FIG. 6 is an enlarged left side elevational view thereof;

FIG. 7 is a bottom left perspective view thereof;

FIG. 8 is a bottom right perspective view thereof;

FIG. 9 is a top perspective view thereof;

FIG. 10 is a front elevational view of a second embodiment of a folding lock;

FIG. 11 is a bottom plan view of FIG. 10;

FIG. 12 is a rear elevational view of FIG. 10;

FIG. 13 is a top plan view of FIG. 10;

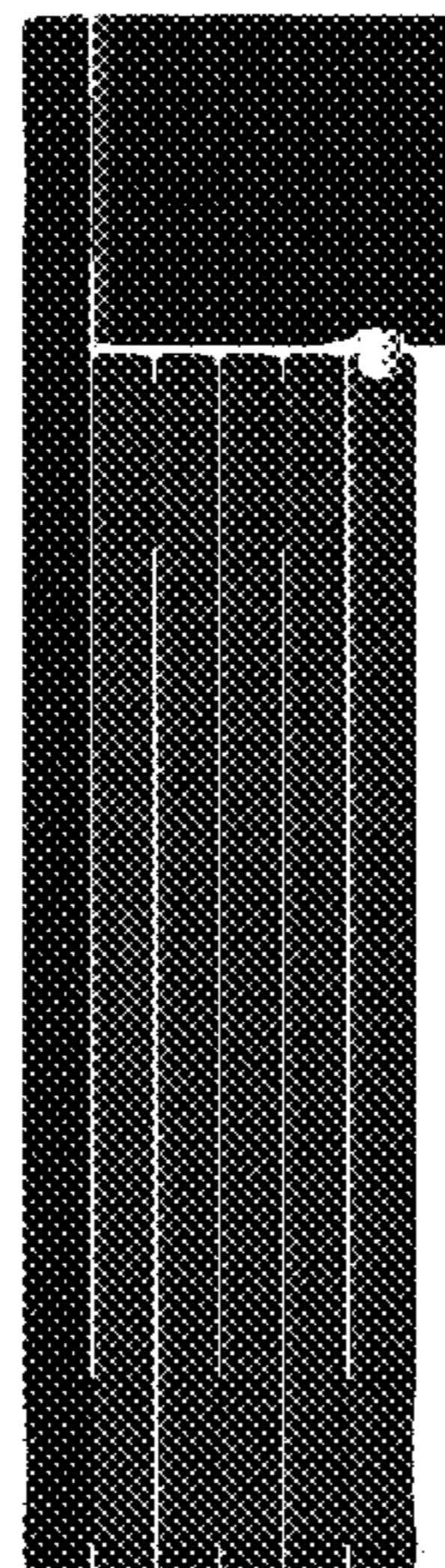
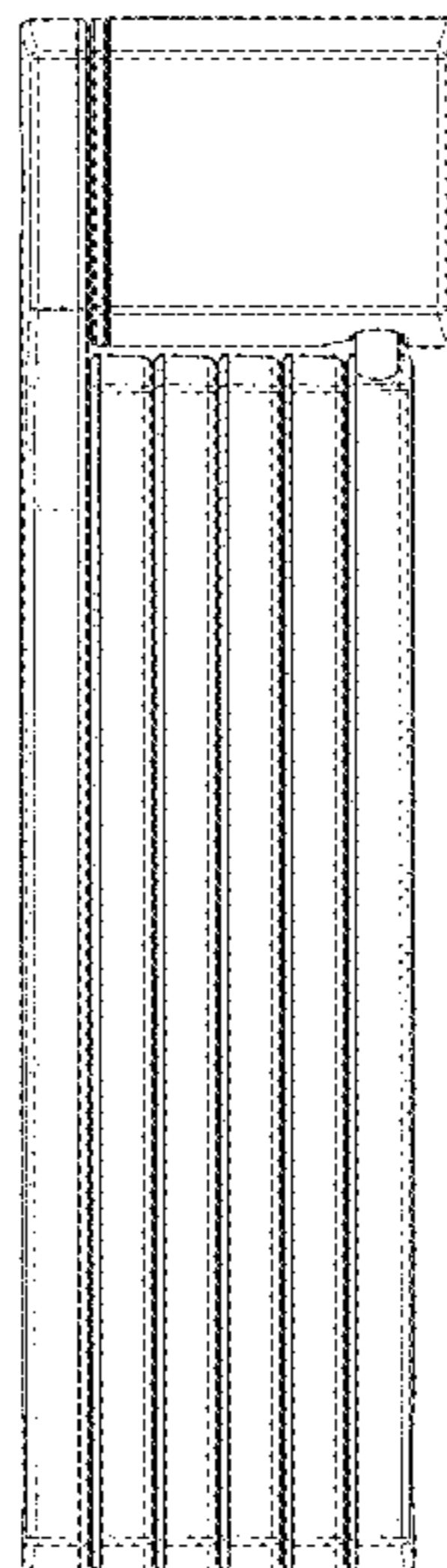
FIG. 14 is a bottom left perspective view of FIG. 10;

FIG. 15 is a top perspective view of FIG. 10; and,

FIG. 16 is a top right perspective view of FIG. 10.

FIGS. 10-16 are color photographs of the claimed design.

1 Claim, 16 Drawing Sheets
(7 of 16 Drawing Sheet(s) Filed in Color)



(56)

References Cited

FOREIGN PATENT DOCUMENTS

U.S. PATENT DOCUMENTS

D402,180 S * 12/1998 Chappell D8/333
5,913,906 A * 6/1999 Strocchi 70/18
6,820,448 B1 * 11/2004 Hsieh 70/18
D579,756 S 11/2008 Hentschel et al.
7,581,787 B2 * 9/2009 Livne 297/215.13
D657,657 S 4/2012 Golling
D658,037 S 4/2012 Golling
8,156,772 B2 * 4/2012 Buhl et al. 70/49
D660,683 S 5/2012 Golling
D660,684 S 5/2012 Golling
8,904,831 B2 * 12/2014 Stevens 70/14

EM 001638271-0002 11/2009
EM 001292585-0004 8/2011

OTHER PUBLICATIONS

“ABUS Gesamtkatalog 2010” pp. 1, 2, 16-19, 172).
Photograph of “RSP Folding Plate Lock” (also marketed as Magnum
Onguard K-9) available in 2009.

* cited by examiner

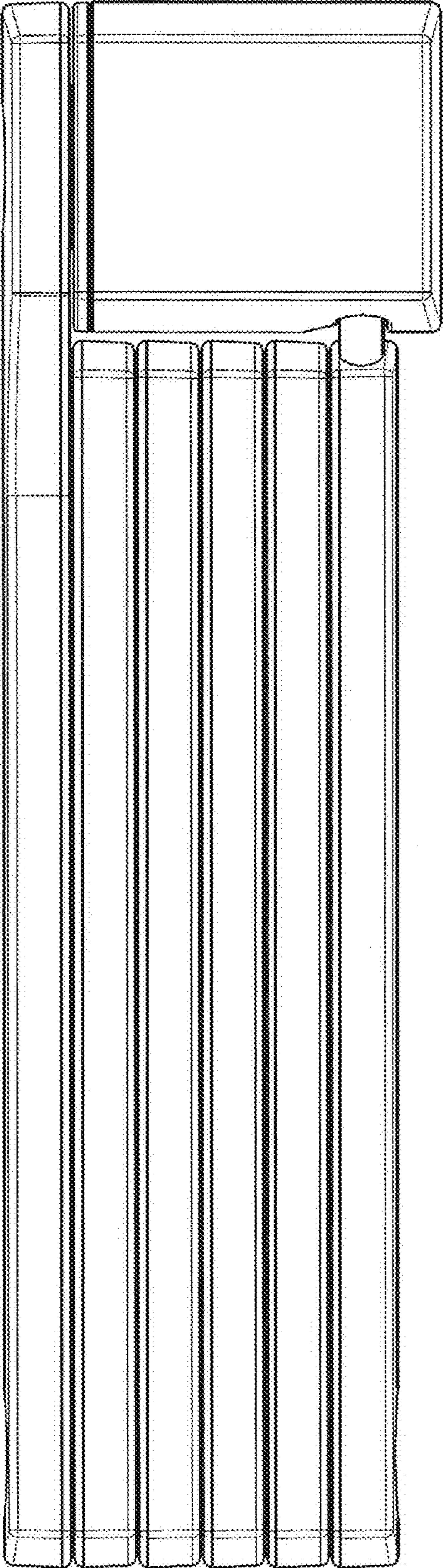


FIG. 1

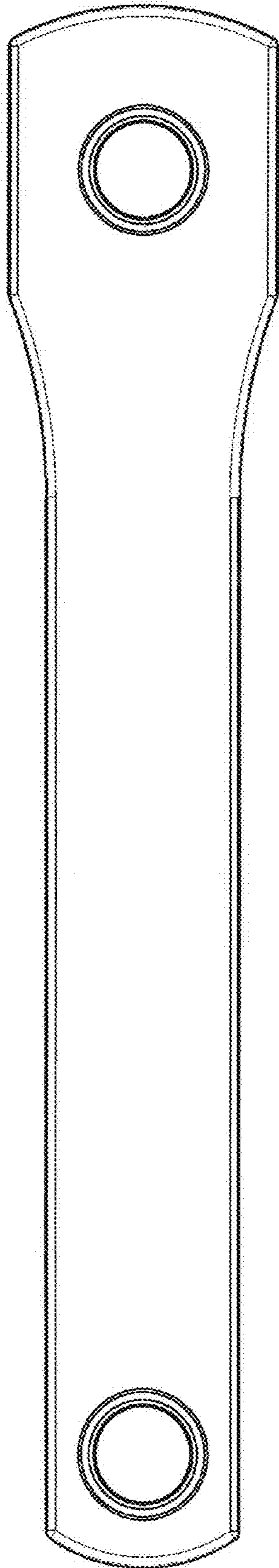


FIG. 2

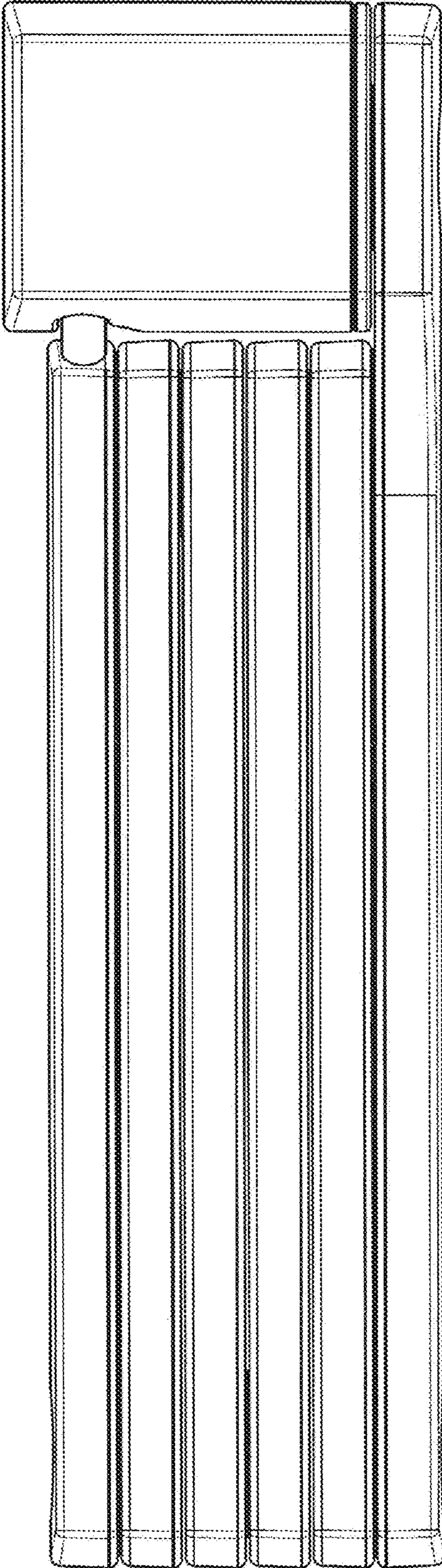


FIG. 3

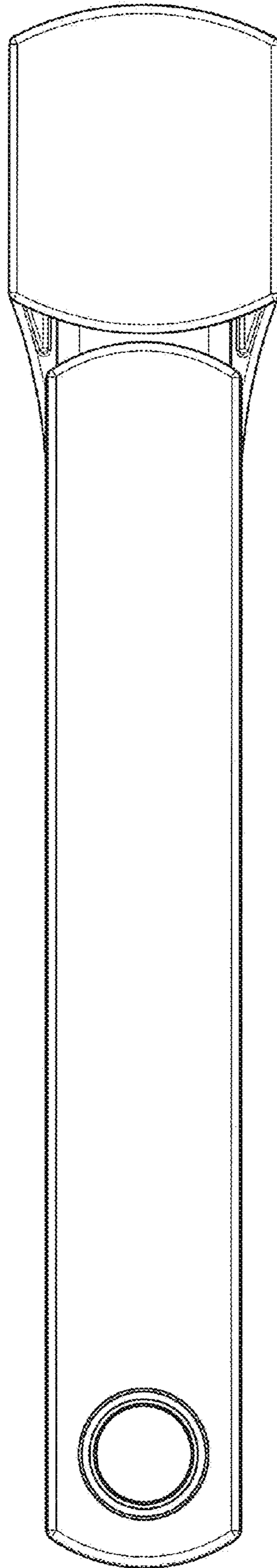


FIG. 4

FIG. 5

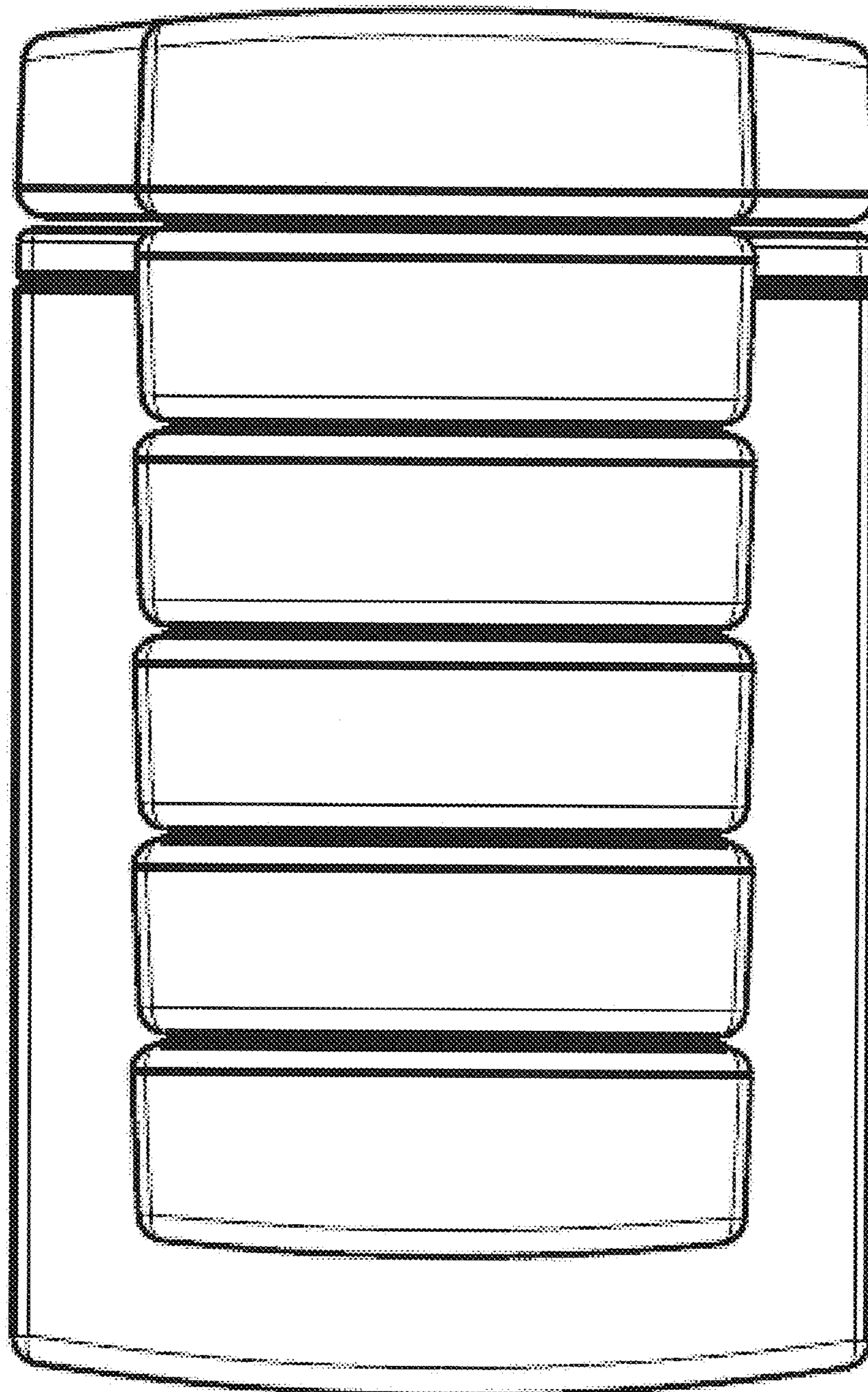


FIG. 6

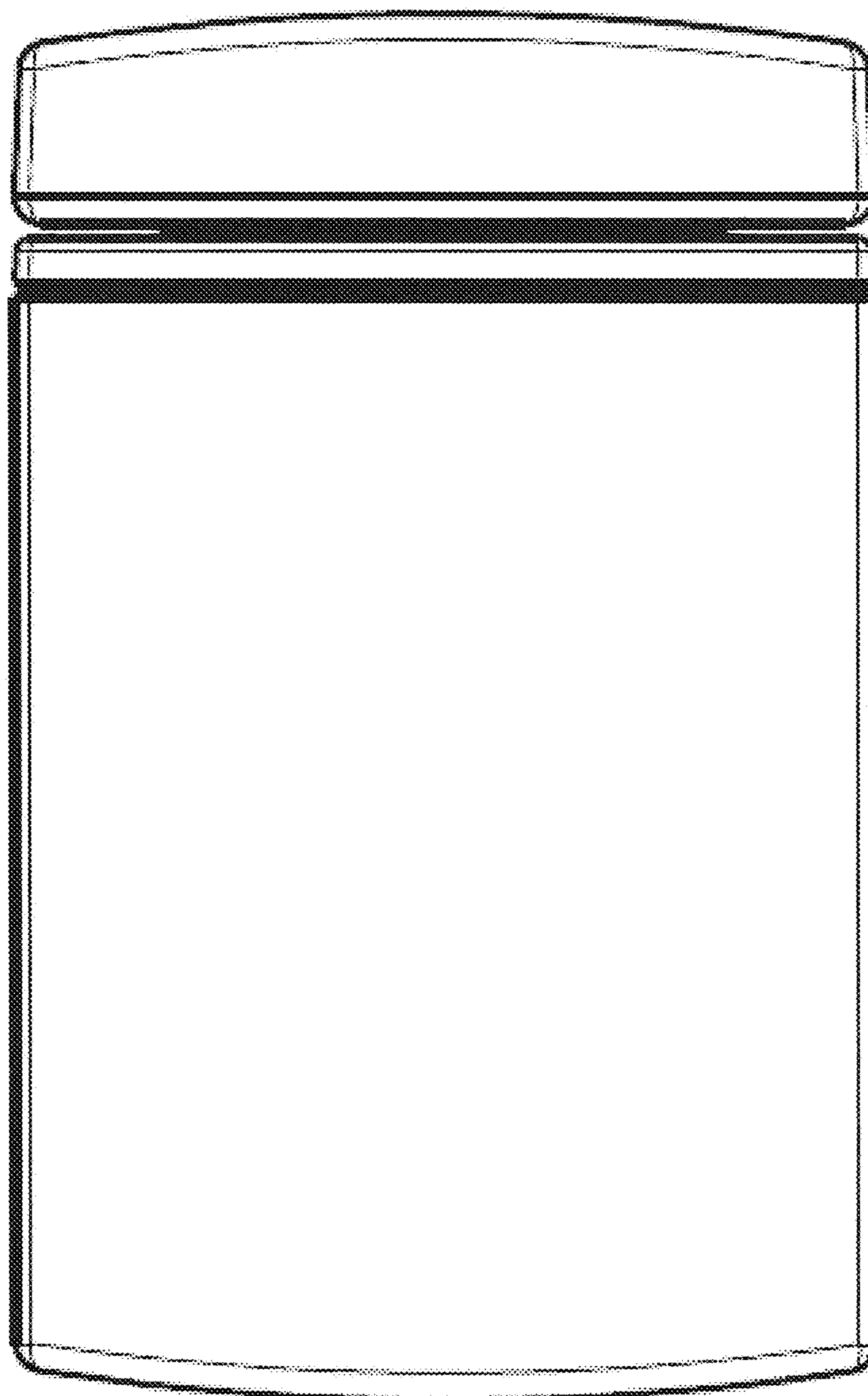


FIG. 7

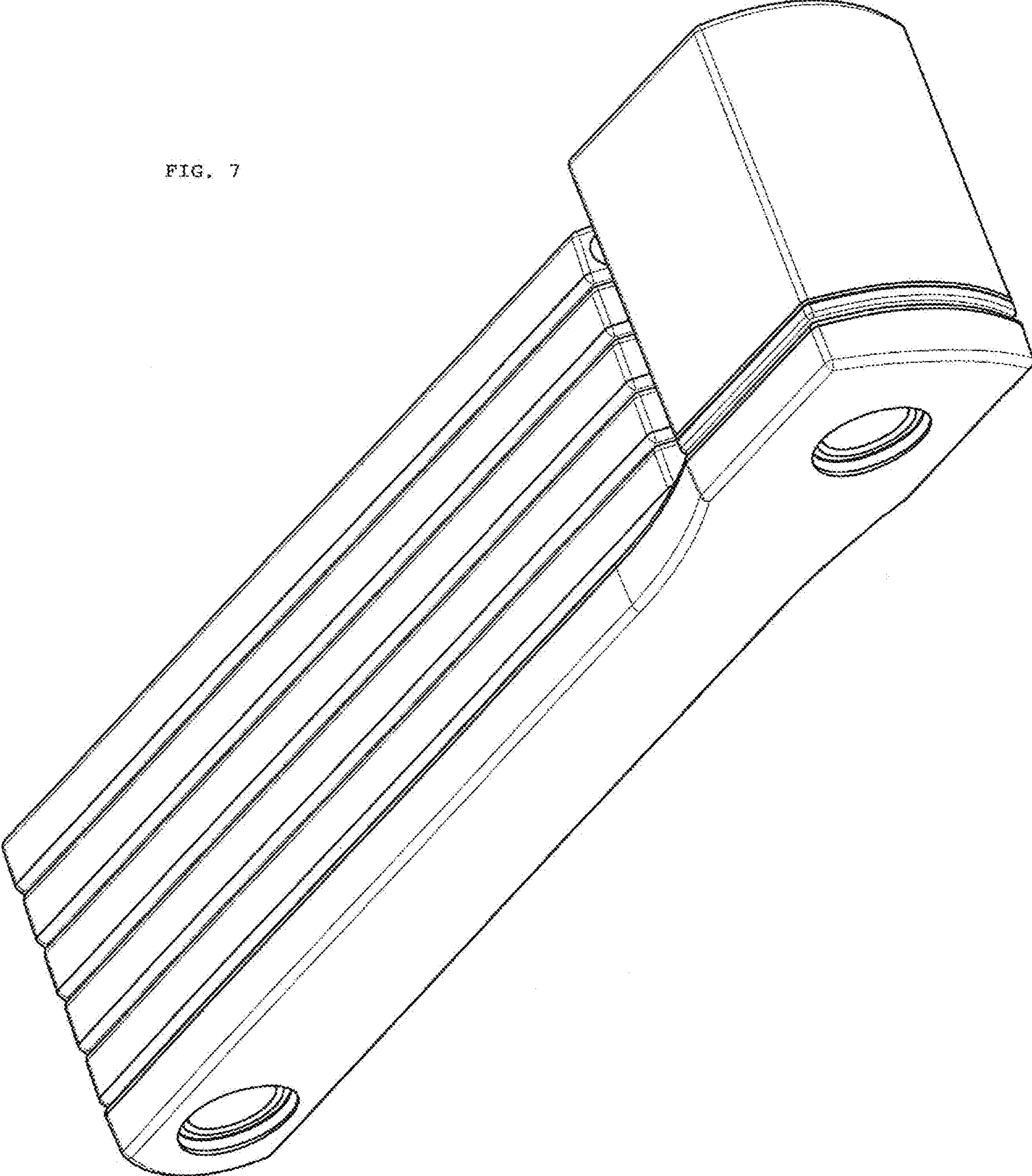
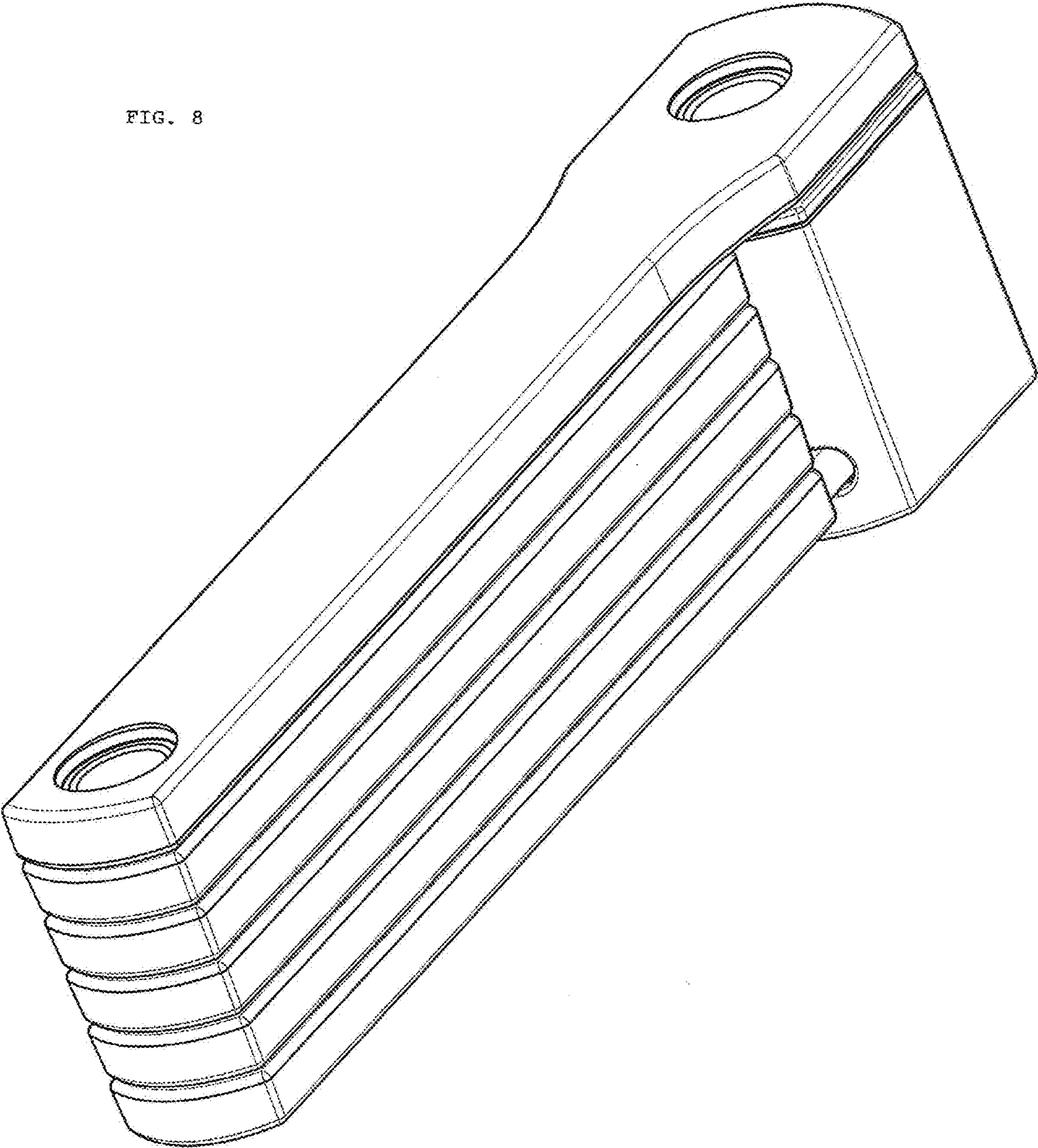


FIG. 8



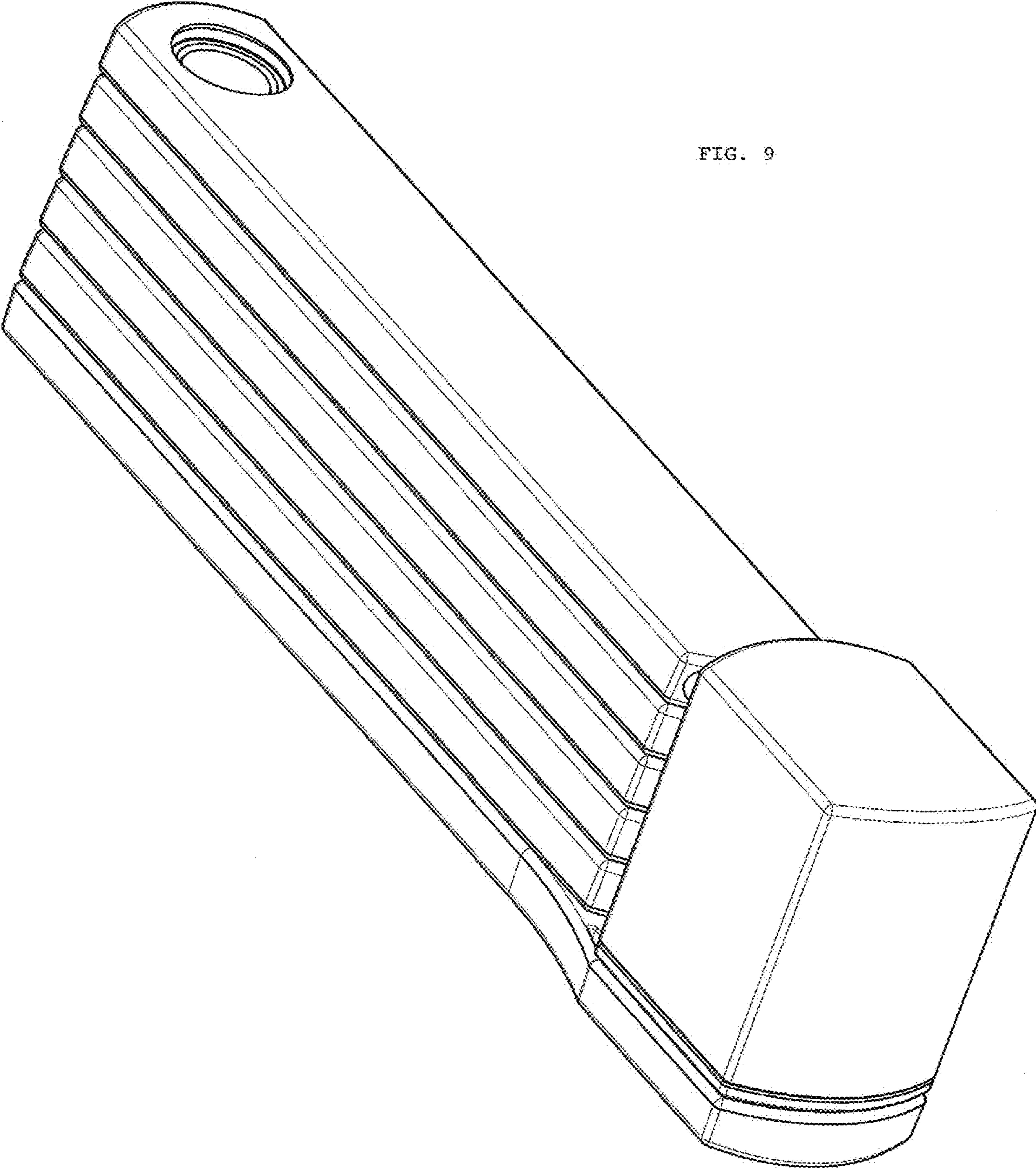
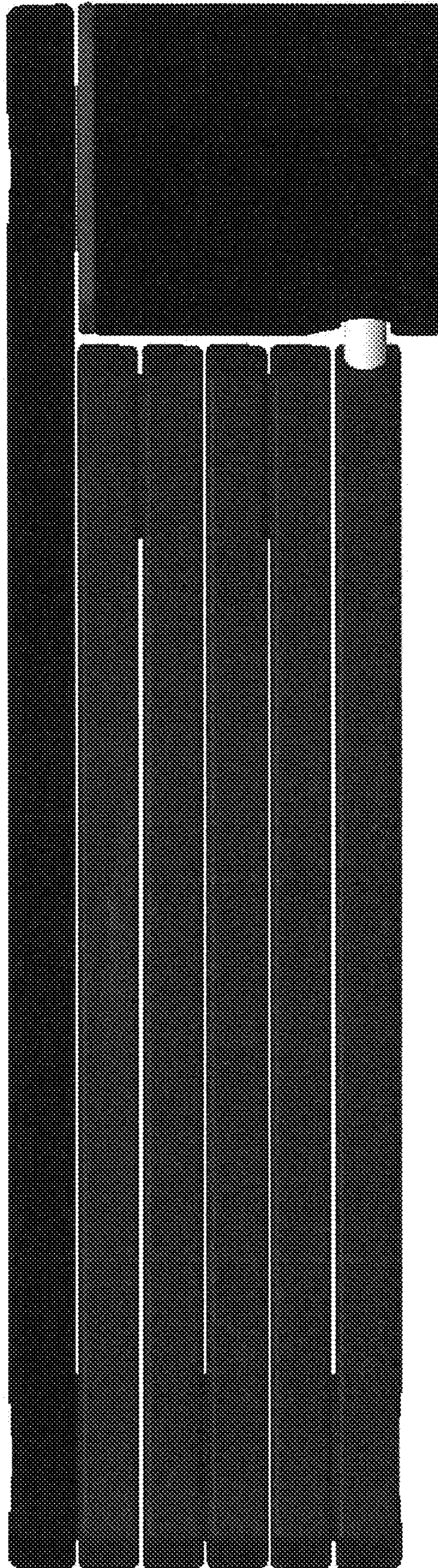


FIG. 9

FIG. 10



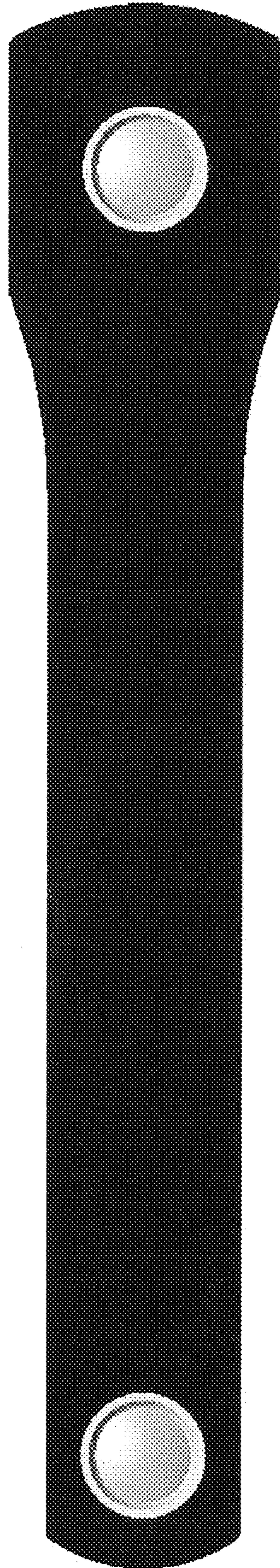


FIG. 11

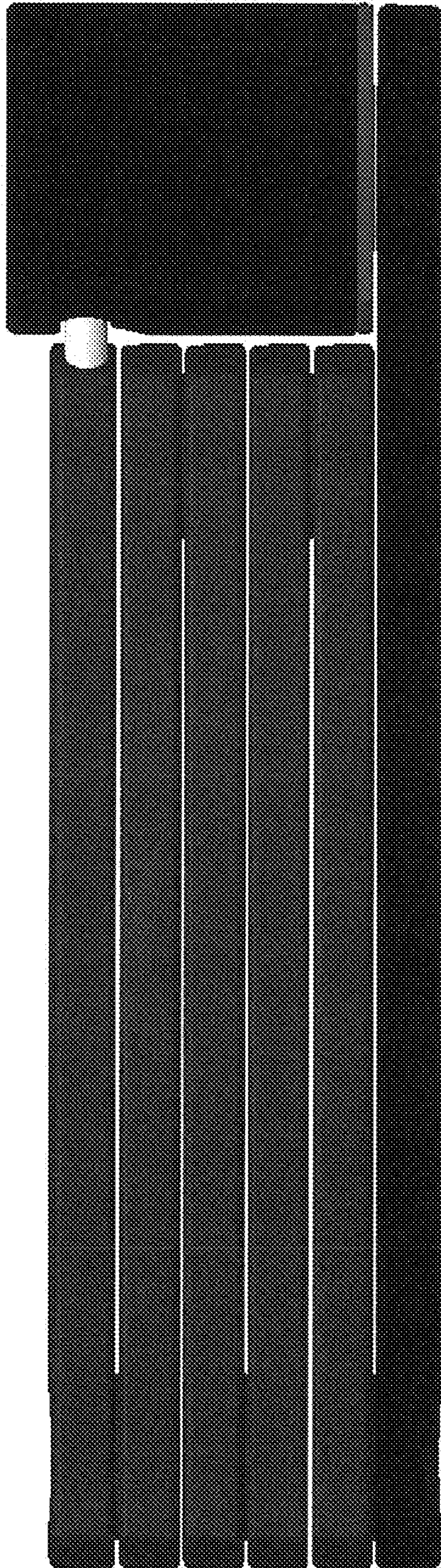


FIG. 12

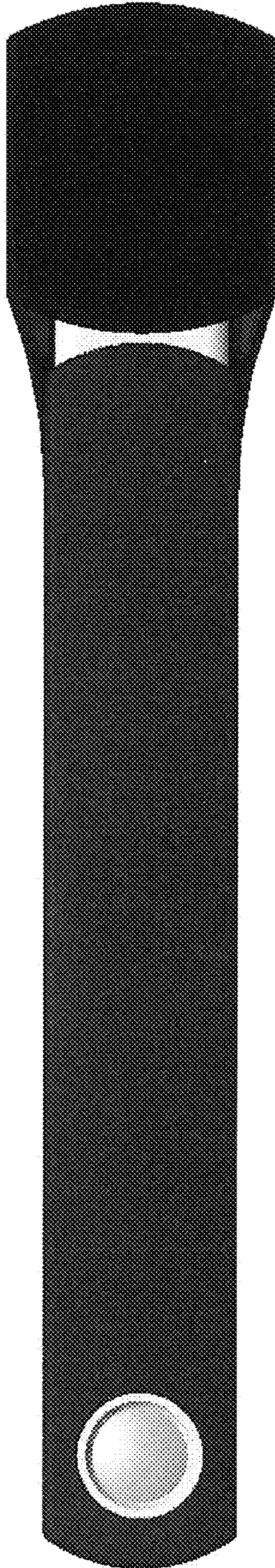
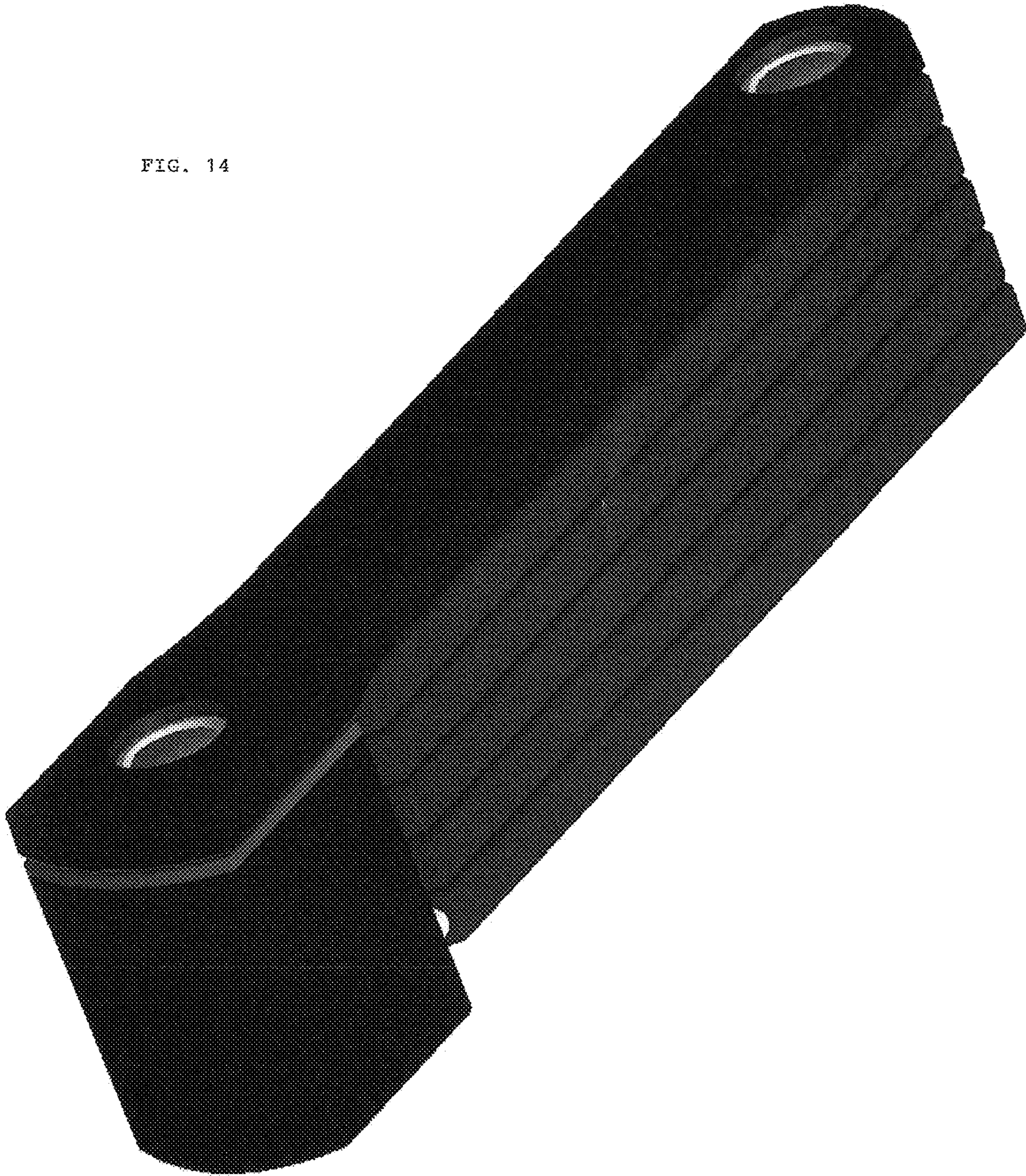


FIG. 13

FIG. 14



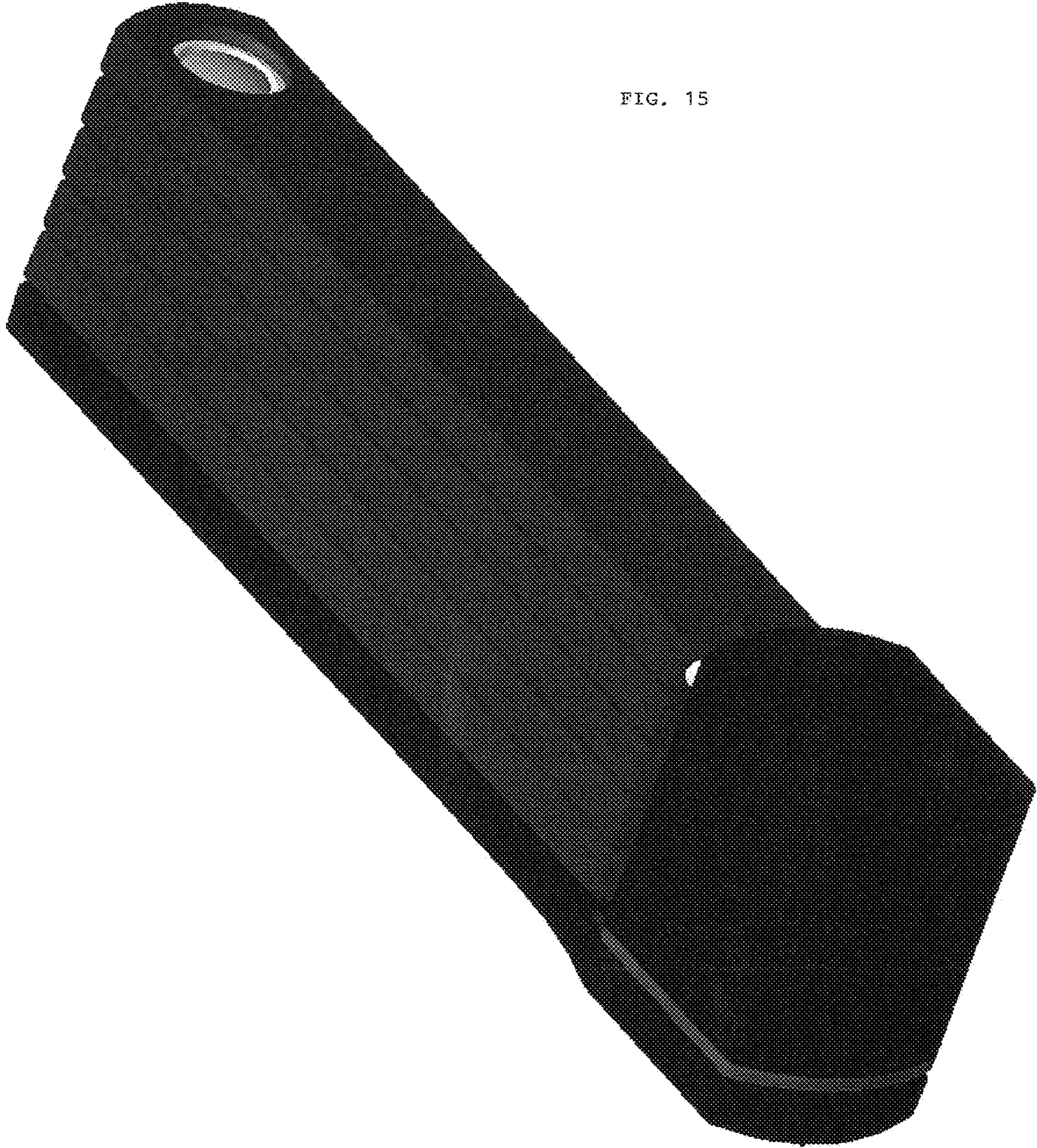


FIG. 15



FIG. 16