



US00D745365S

(12) **United States Design Patent**
Dudgeon et al.

(10) **Patent No.:** **US D745,365 S**
(45) **Date of Patent:** **** Dec. 15, 2015**

(54) **PADLOCK COVER** D243,150 S 1/1977 Dykes
4,218,902 A * 8/1980 Druschel E05B 17/002
70/55

(71) Applicant: **Master Lock Company LLC**, Oak
Creek, WI (US) 4,224,813 A 9/1980 Hampton
4,226,100 A 10/1980 Hampton
4,297,861 A 11/1981 Dykes

(72) Inventors: **Matthew Dudgeon**, Whitefish Bay, WI
(US); **Jassen R. Miller**, Racine, WI (US) 4,317,344 A 3/1982 Barnerd
4,594,866 A 6/1986 Neyret
4,638,652 A 1/1987 Morse et al.

(73) Assignee: **Master Lock Company LLC**, Oak
Creek, WI (US) D292,869 S 11/1987 Lebrecht
4,727,368 A 2/1988 Larson et al.
4,790,163 A 12/1988 Appelbaum
4,916,443 A 4/1990 Barrett et al.
5,033,279 A 7/1991 Lebrecht

(**) Term: **14 Years** 5,090,222 A 2/1992 Imran
D325,158 S 4/1992 Lebrecht

(21) Appl. No.: **29/512,150** 5,156,029 A 10/1992 Heald
5,280,518 A 1/1994 Danler et al.
5,587,702 A 12/1996 Chadfield
5,761,935 A 6/1998 Adelmeyer
D400,078 S 10/1998 Adelmeyer
5,934,121 A 8/1999 Chen
5,946,957 A 9/1999 Yamamoto et al.

(22) Filed: **Dec. 17, 2014** D423,324 S 4/2000 Liu
6,046,558 A 4/2000 Larson et al.
6,047,575 A 4/2000 Larson et al.
D425,398 S 5/2000 Fiegenger et al.
D432,393 S 10/2000 Gast
D435,428 S 12/2000 Ling
6,209,369 B1 4/2001 Freck
D449,510 S 10/2001 Liu
6,305,198 B1 10/2001 Chastain et al.
D450,560 S 11/2001 Yu
6,393,876 B1 5/2002 Matyko
6,397,647 B1 6/2002 Kuo
6,539,754 B1 4/2003 Fang
D484,391 S 12/2003 Hackbarth et al.
6,813,914 B2 11/2004 Chen
7,124,606 B2 10/2006 Turek
D537,320 S 2/2007 Kearns et al.
D537,704 S 3/2007 Van Handel
D587,987 S 3/2009 Zorc et al.
D595,112 S 6/2009 Zorc et al.
7,581,423 B2 9/2009 Brojanac et al.
D605,928 S 12/2009 Stevens et al.
D656,384 S 3/2012 Wojtak
D722,861 S * 2/2015 Chen D8/334
D724,931 S * 3/2015 Dudgeon D8/334
D732,371 S * 6/2015 Schneider D8/334

Related U.S. Application Data

(62) Division of application No. 29/468,689, filed on Oct. 2, 2013, now Pat. No. Des. 724,931.

(51) **LOC (10) Cl.** **08-07**

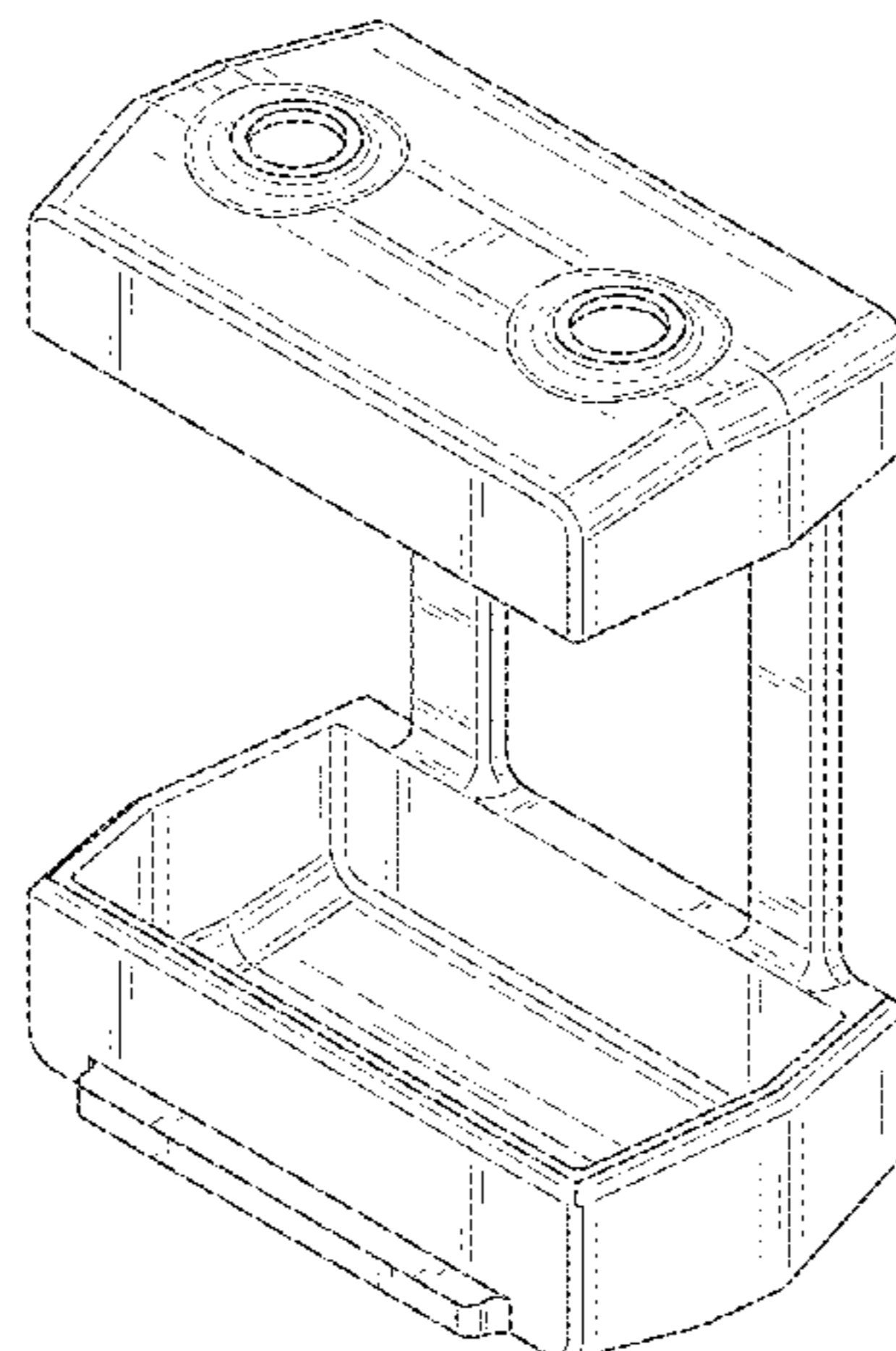
(52) **U.S. Cl.**
USPC **D8/334; D8/343**

(58) **Field of Classification Search**
USPC D8/330, 331, 334, 336, 339, 343;
70/38 R, 38 A, 25, 39, 279, 388, 278.1,
70/278, 2, 3, 278.7, 285.1, 283, 275, 280,
70/20
CPC E05B 67/08; E05B 67/00; E05B 2067/00;
E05B 9/00; E05B 63/00; E05B 67/38
See application file for complete search history.

(56) **References Cited**

U.S. PATENT DOCUMENTS

297,469 A 4/1884 Stickney
954,061 A 4/1910 Van Taxis
1,560,868 A 11/1925 Shinn
2,375,488 A 5/1945 Olson
2,655,031 A 10/1953 Jacobi
2,906,112 A 9/1959 Vahlstrom
3,263,463 A 8/1966 Duval et al.
3,453,758 A 7/1969 Soref et al.
3,777,522 A 12/1973 Rubner
3,858,418 A 1/1975 Butler



FOREIGN PATENT DOCUMENTS

CA	865398	3/1971
EP	0320516	6/1989

* cited by examiner

Primary Examiner — Prabhakar Deshmukh
 (74) *Attorney, Agent, or Firm* — Calfee, Halter & Griswold
 LLP

(57) **CLAIM**

We claim the ornamental design for a padlock cover, as shown and described.

DESCRIPTION

FIG. 1 is a top front perspective view of a first embodiment of a padlock cover of the new design;
 FIG. 2 is a bottom front perspective view of the padlock cover of FIG. 1;
 FIG. 3 is a front elevational view of the padlock cover of FIG. 1;
 FIG. 4 is a rear elevational view of the padlock cover of FIG. 1;
 FIG. 5 is a right side elevational view of the padlock cover of FIG. 1;
 FIG. 6 is a left side elevational view of the padlock cover of FIG. 1;
 FIG. 7 is a top plan view of the padlock cover of FIG. 1;
 FIG. 8 is a bottom plan view of the padlock cover of FIG. 1;
 FIG. 9 is a top front perspective view of a second embodiment of a padlock cover of the new design;

FIG. 10 is a bottom front perspective view of the padlock cover of FIG. 9;
 FIG. 11 is a front elevational view of the padlock cover of FIG. 9;
 FIG. 12 is a rear elevational view of the padlock cover of FIG. 9;
 FIG. 13 is a right side elevational view of the padlock cover of FIG. 9;
 FIG. 14 is a left side elevational view of the padlock cover of FIG. 9;
 FIG. 15 is a top plan view of the padlock cover of FIG. 9;
 FIG. 16 is a bottom plan view of the padlock cover of FIG. 9;
 FIG. 17 is a top front perspective view of a third embodiment of a padlock cover of the new design;
 FIG. 18 is a bottom front perspective view of the padlock cover of FIG. 17;
 FIG. 19 is a front elevational view of the padlock cover of FIG. 17;
 FIG. 20 is a rear elevational view of the padlock cover of FIG. 17;
 FIG. 21 is a right side elevational view of the padlock cover of FIG. 17;
 FIG. 22 is a left side elevational view of the padlock cover of FIG. 17;
 FIG. 23 is a top plan view of the padlock cover of FIG. 17;
 and,
 FIG. 24 is a bottom plan view of the padlock cover of FIG. 17.
 The broken lines indicate unclaimed portions and form no part of the claimed design. FIGS. 17-24 disclose the height of the lock with undetermined length and portions between said cut off lines form no part of the claimed design.

1 Claim, 18 Drawing Sheets

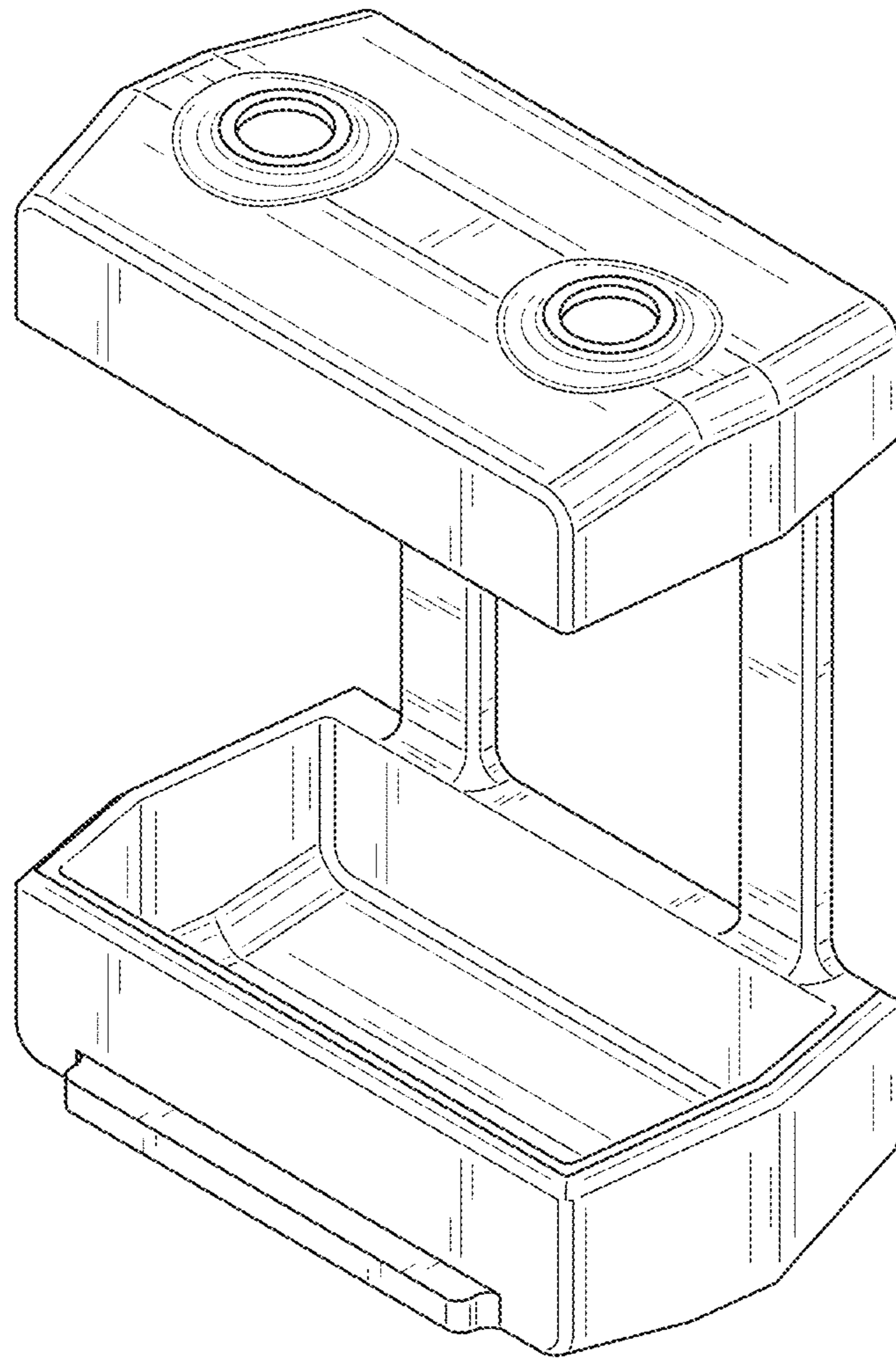


FIG. 1

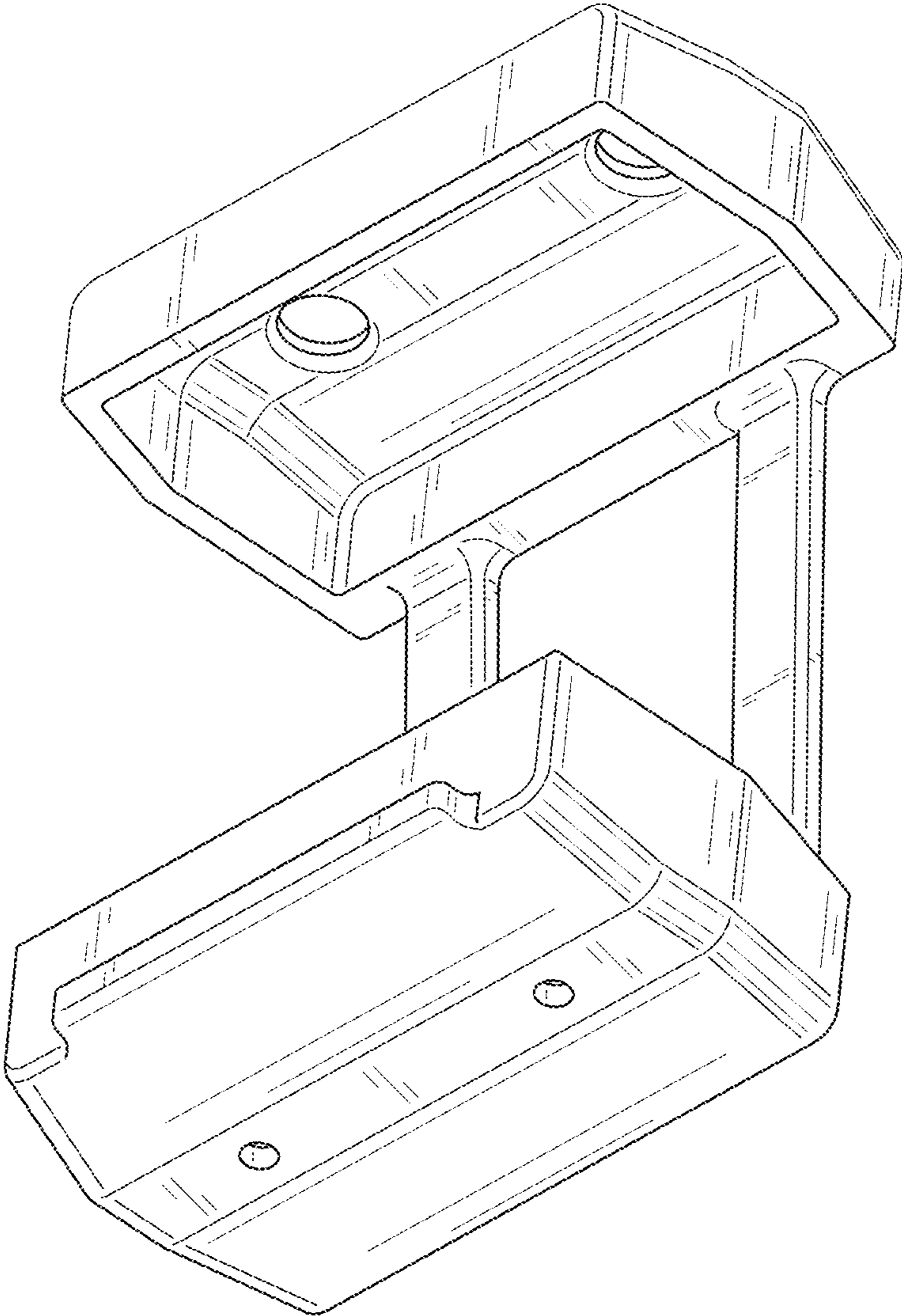


FIG. 2

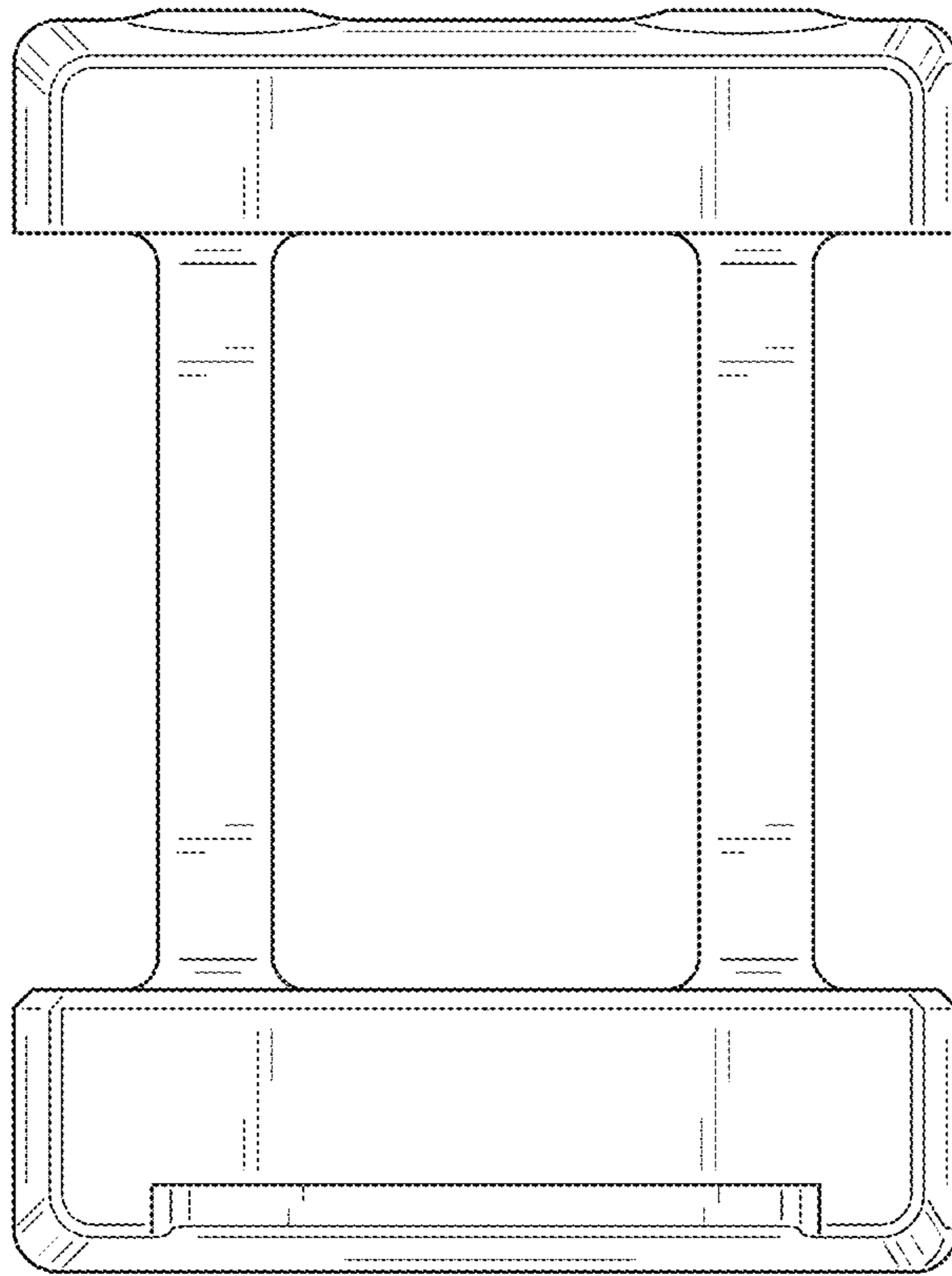


FIG. 3

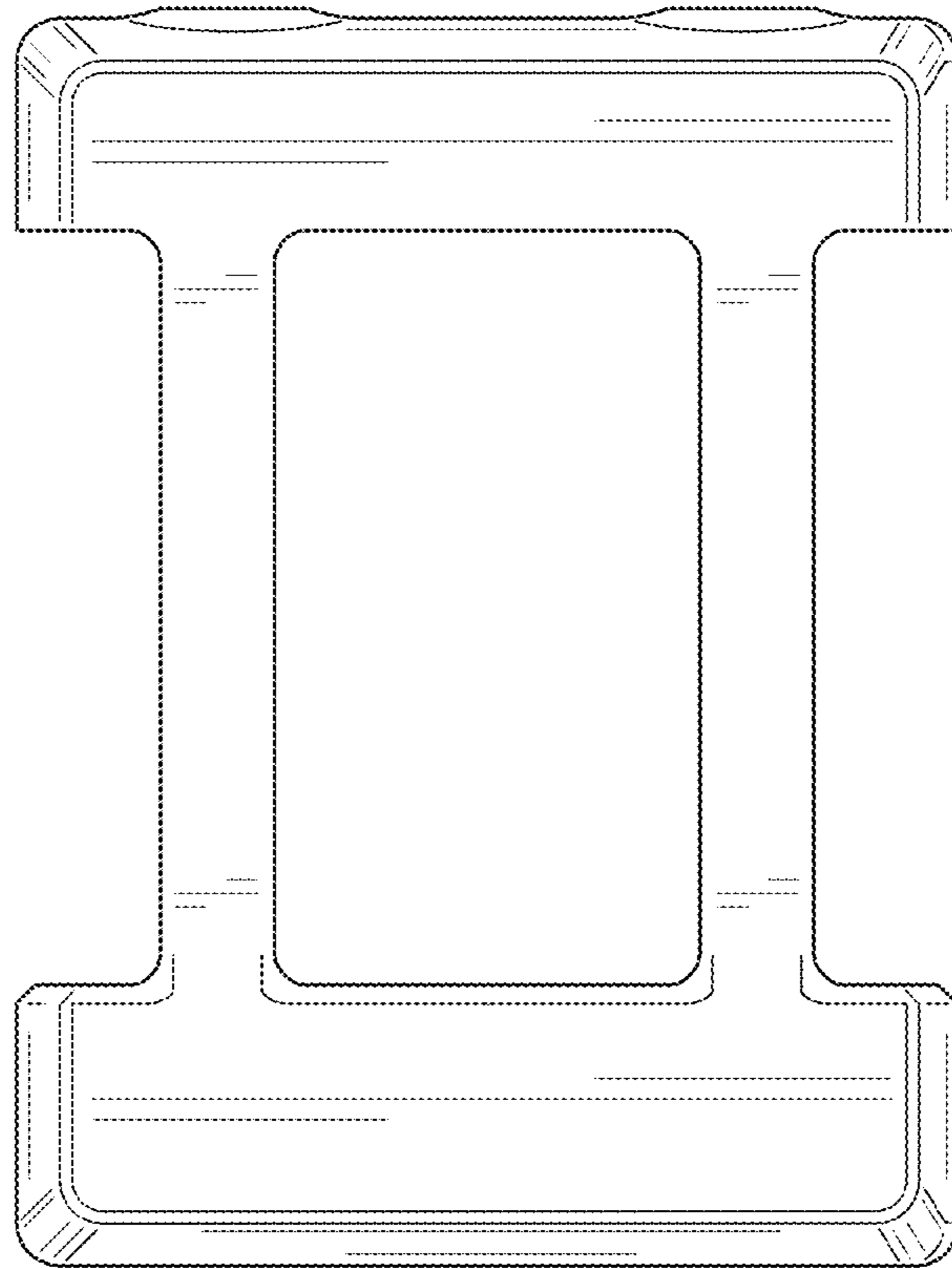


FIG. 4

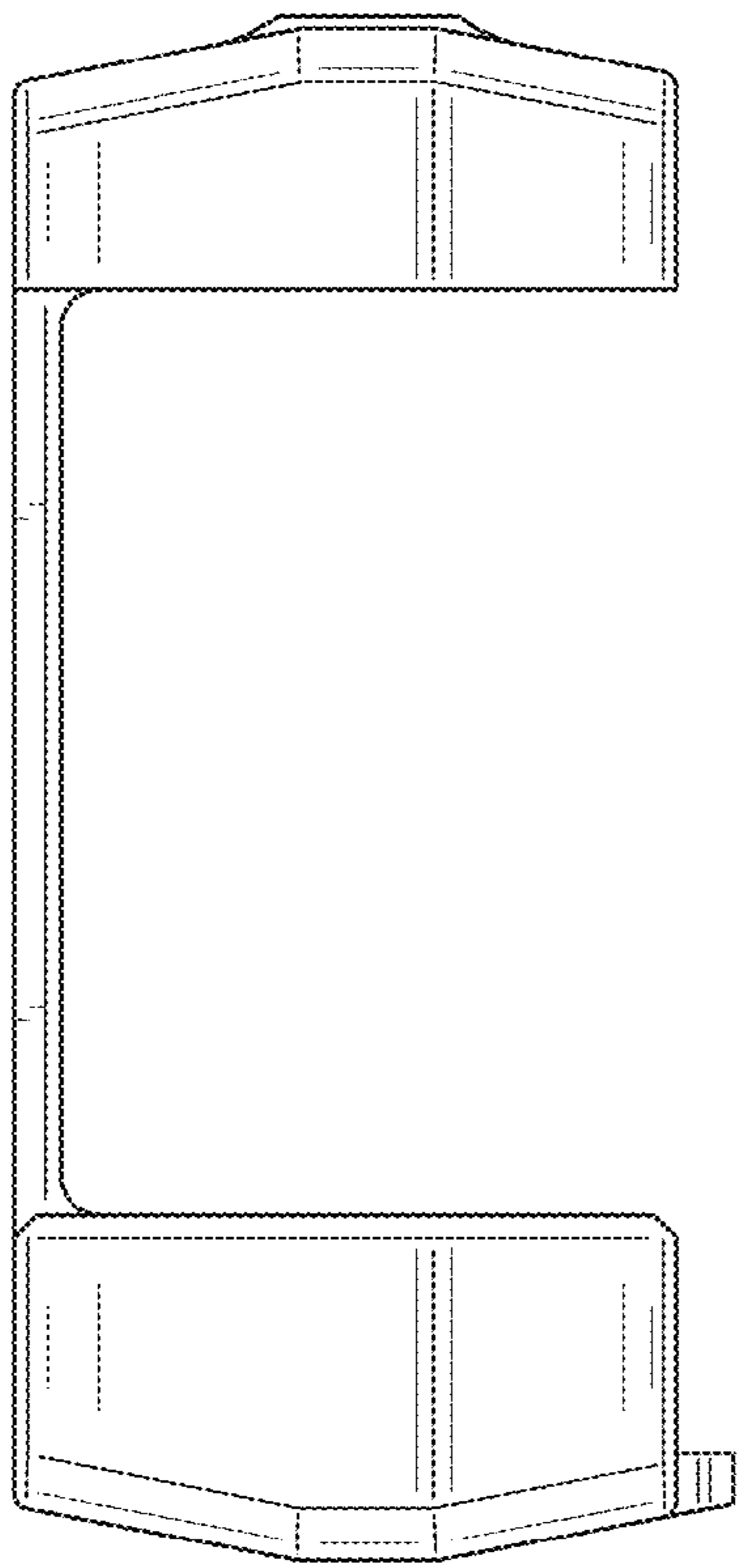


FIG. 5

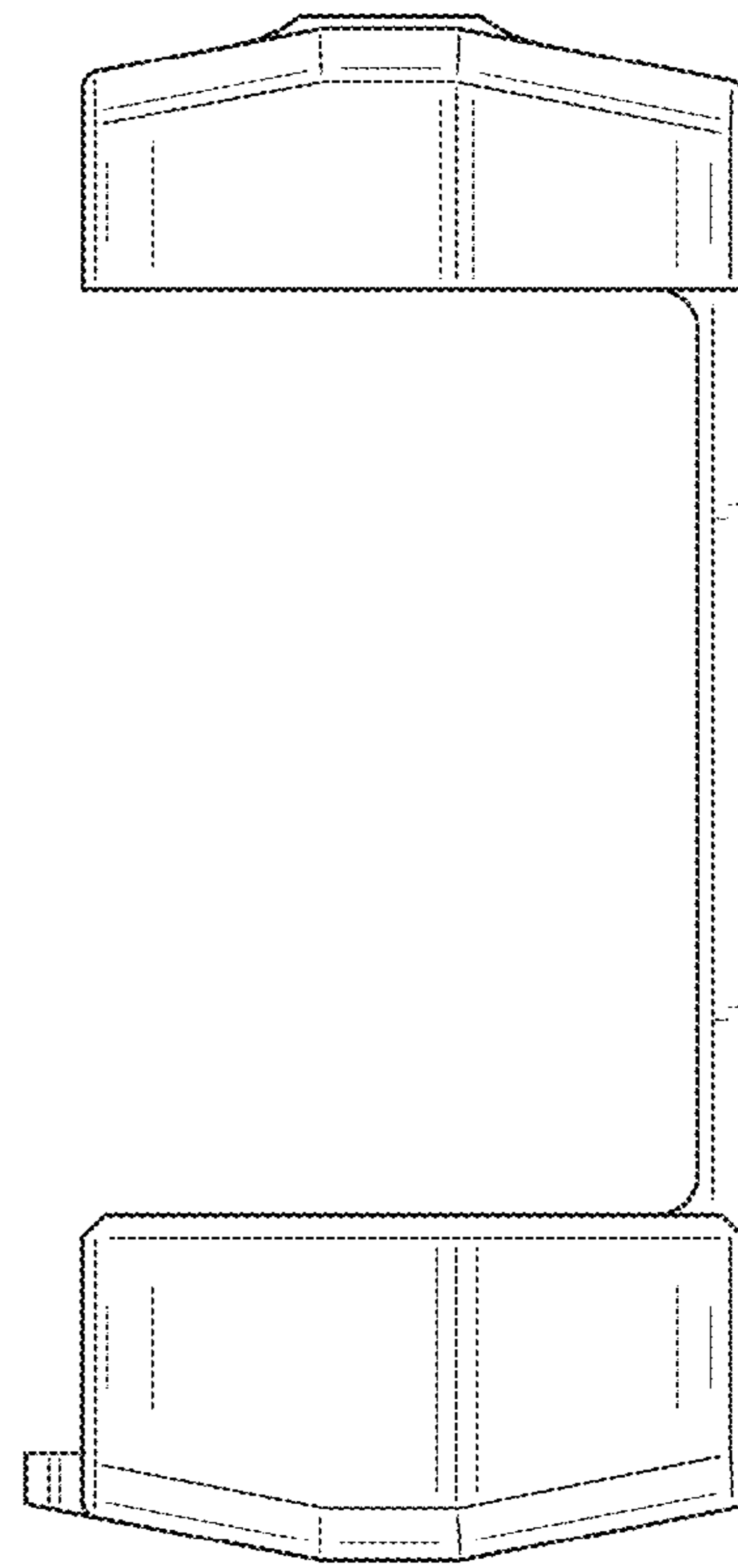


FIG. 6

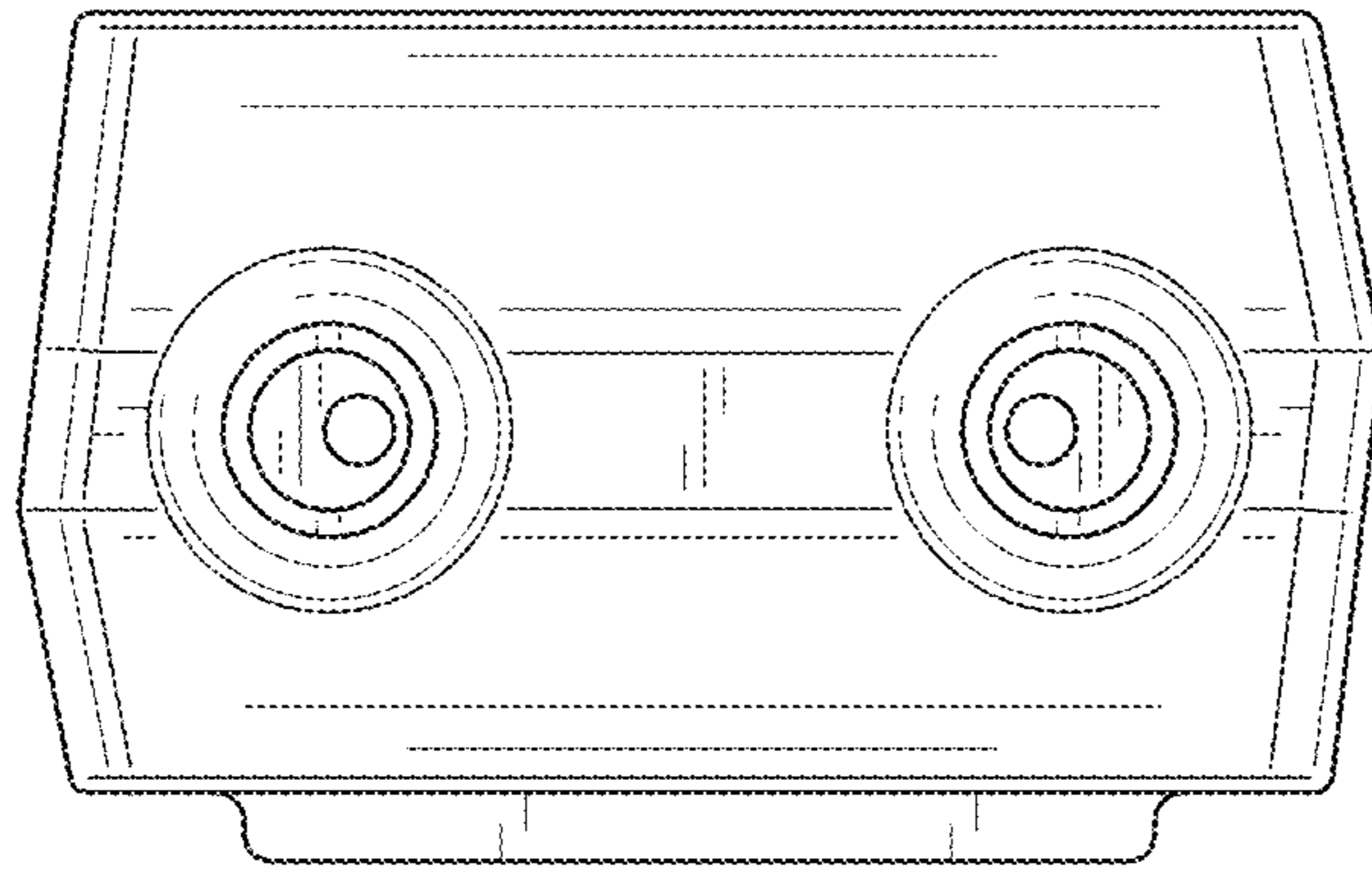


FIG. 7

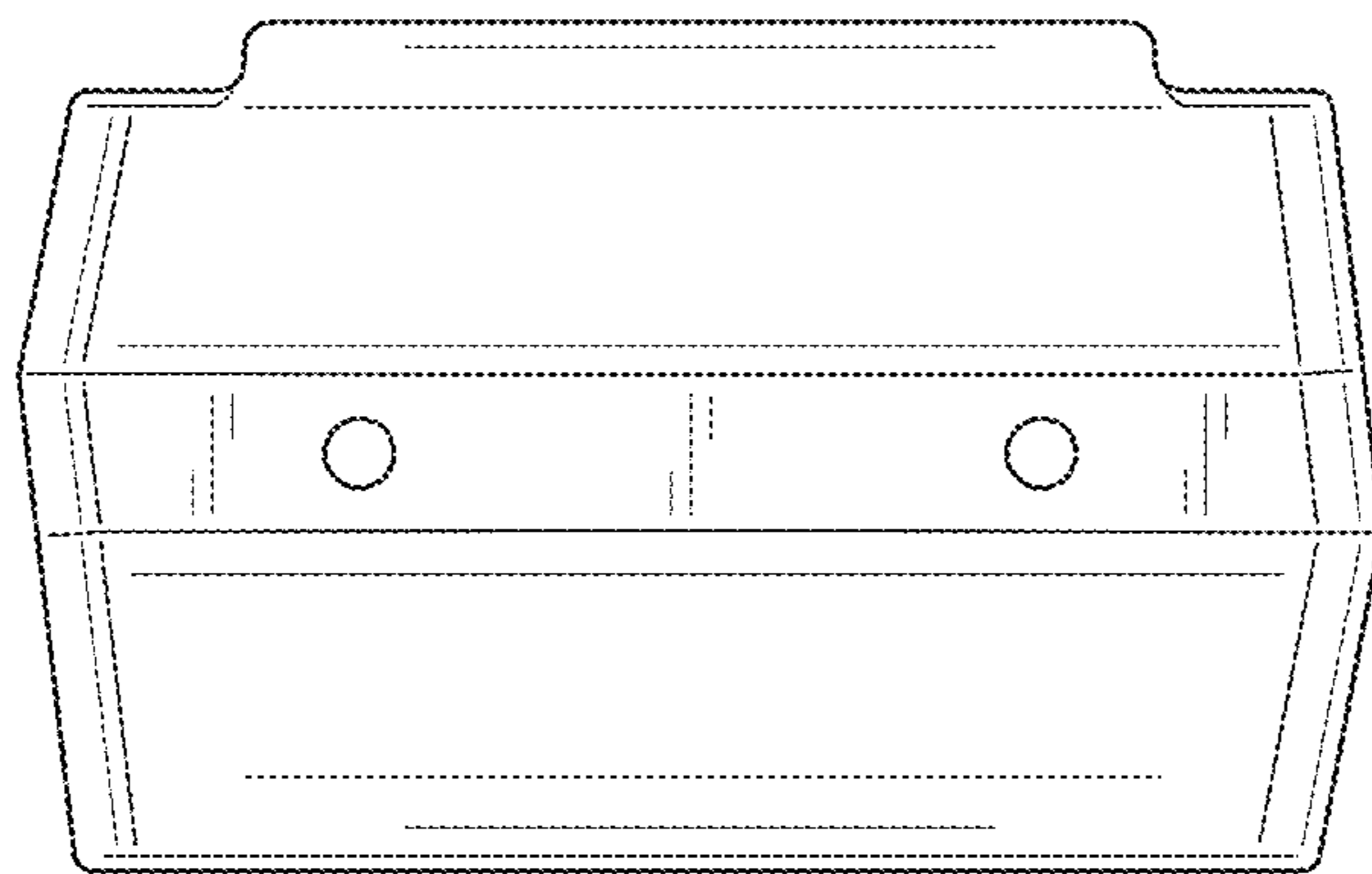


FIG. 8

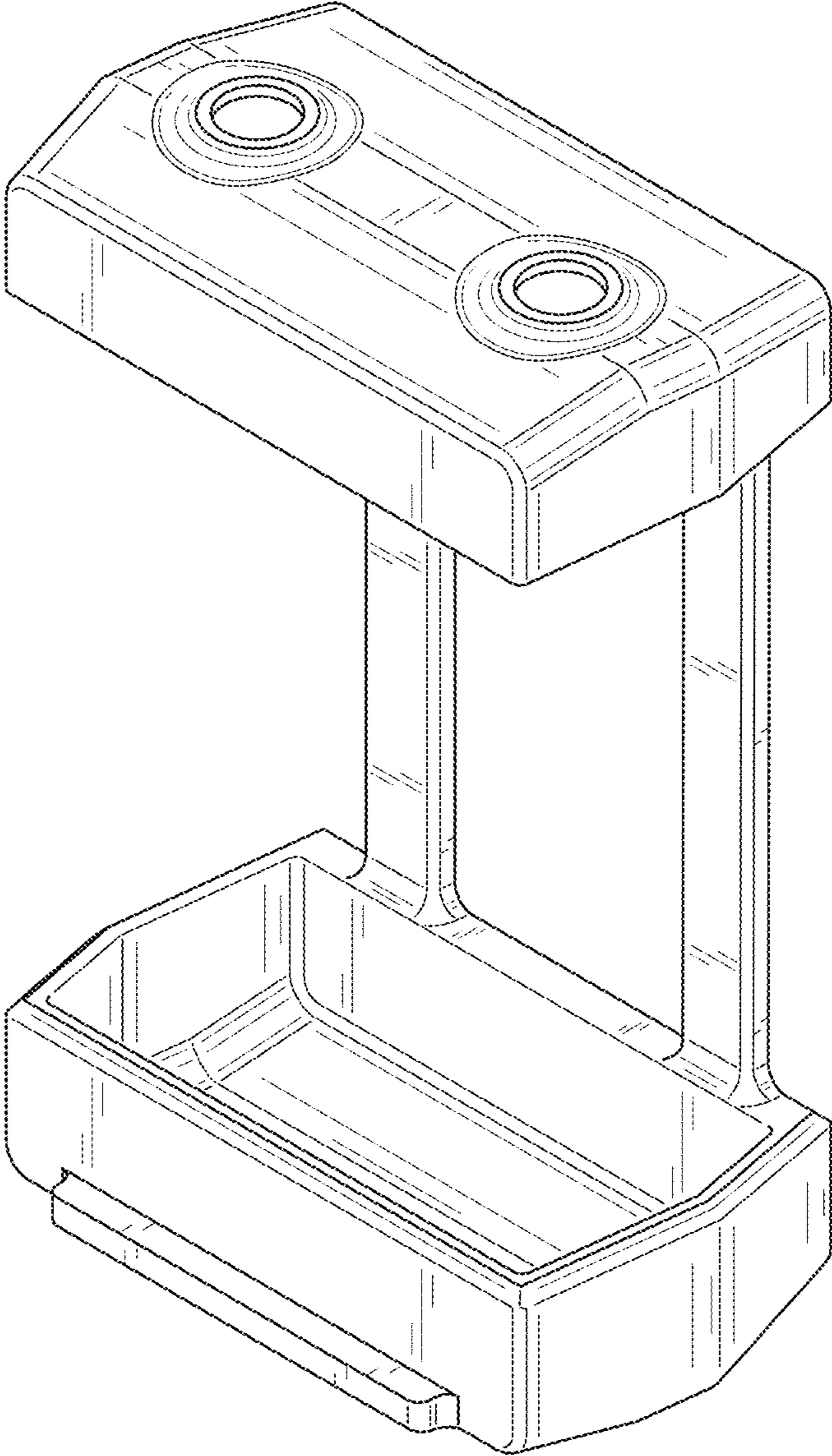


FIG. 9

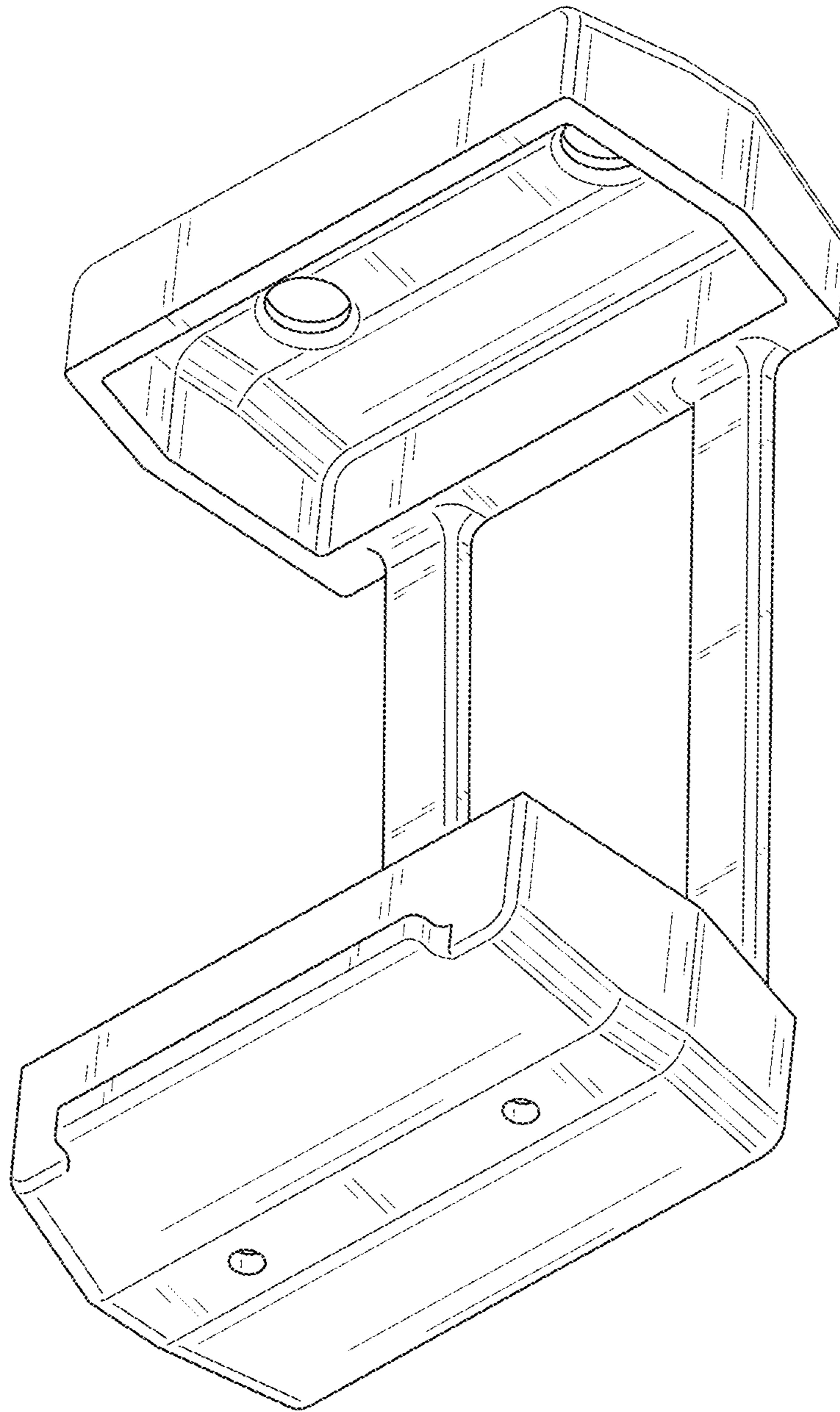


FIG. 10

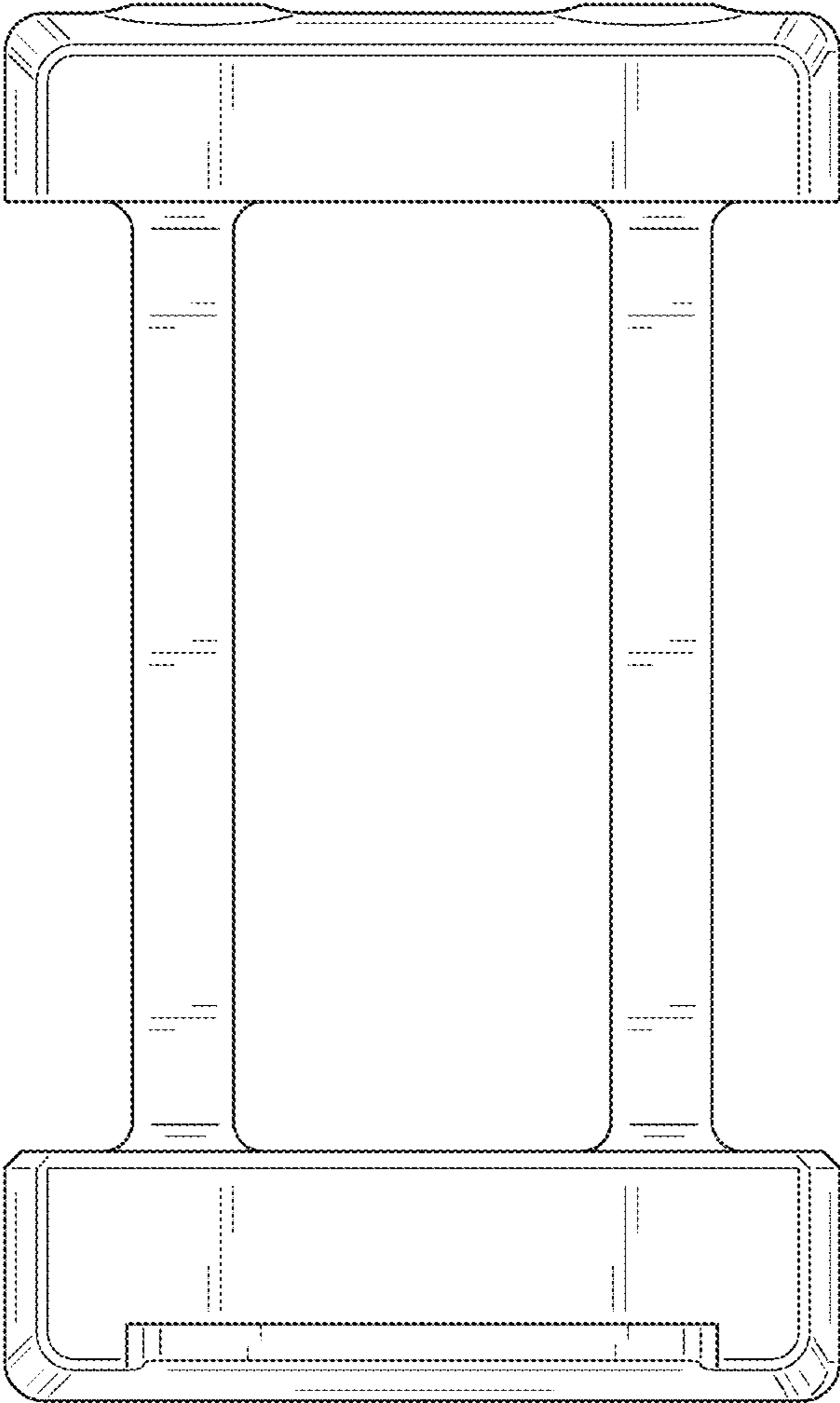


FIG. 11

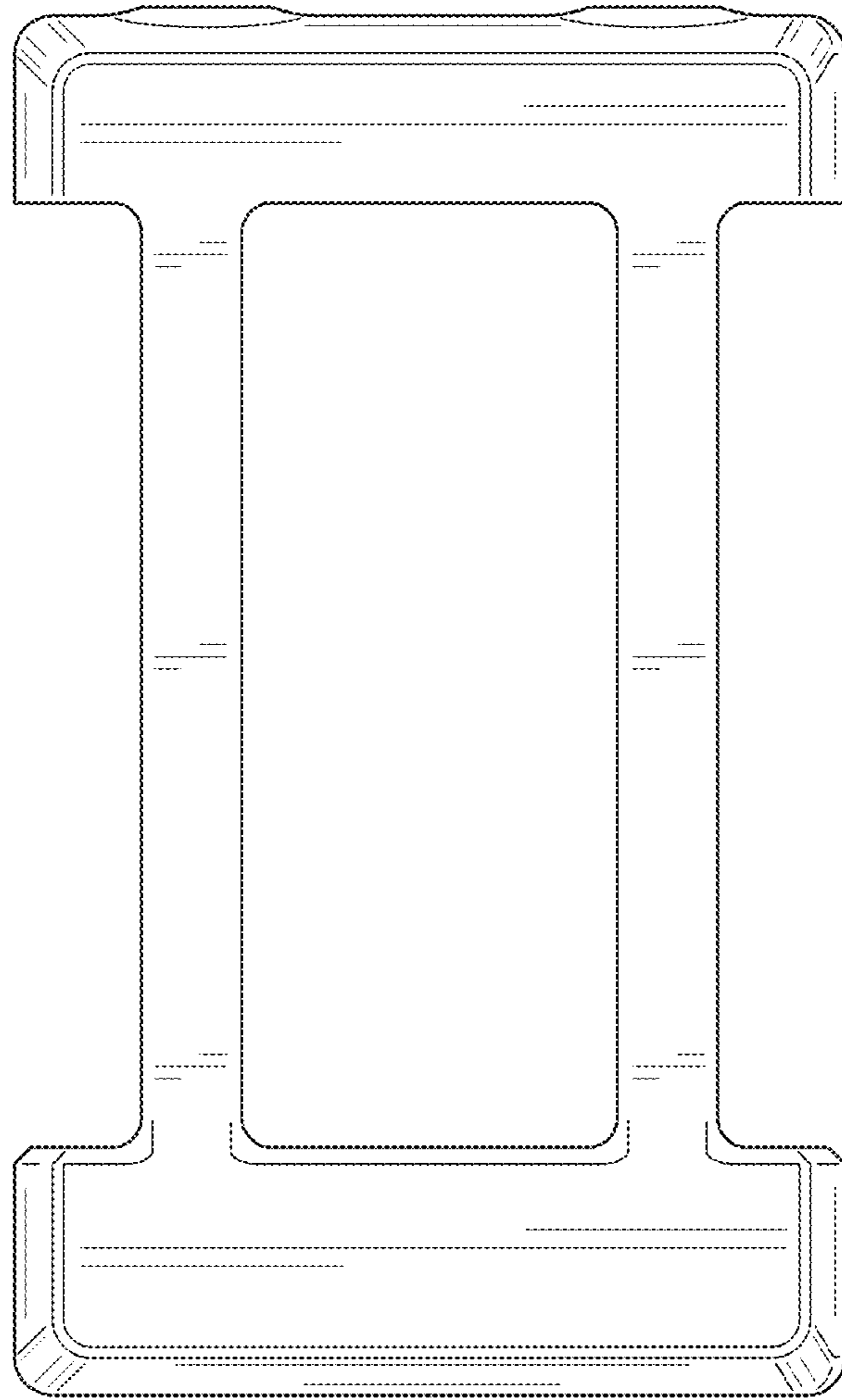


FIG. 12

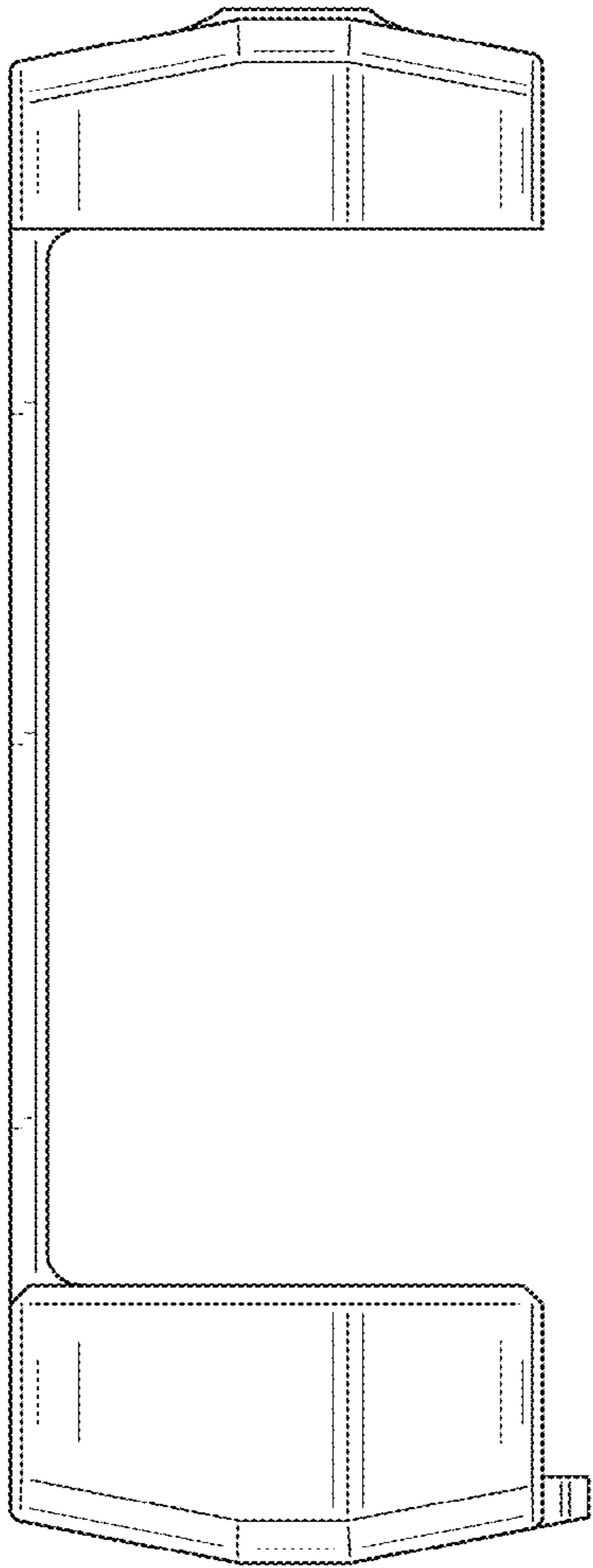


FIG. 13



FIG. 14

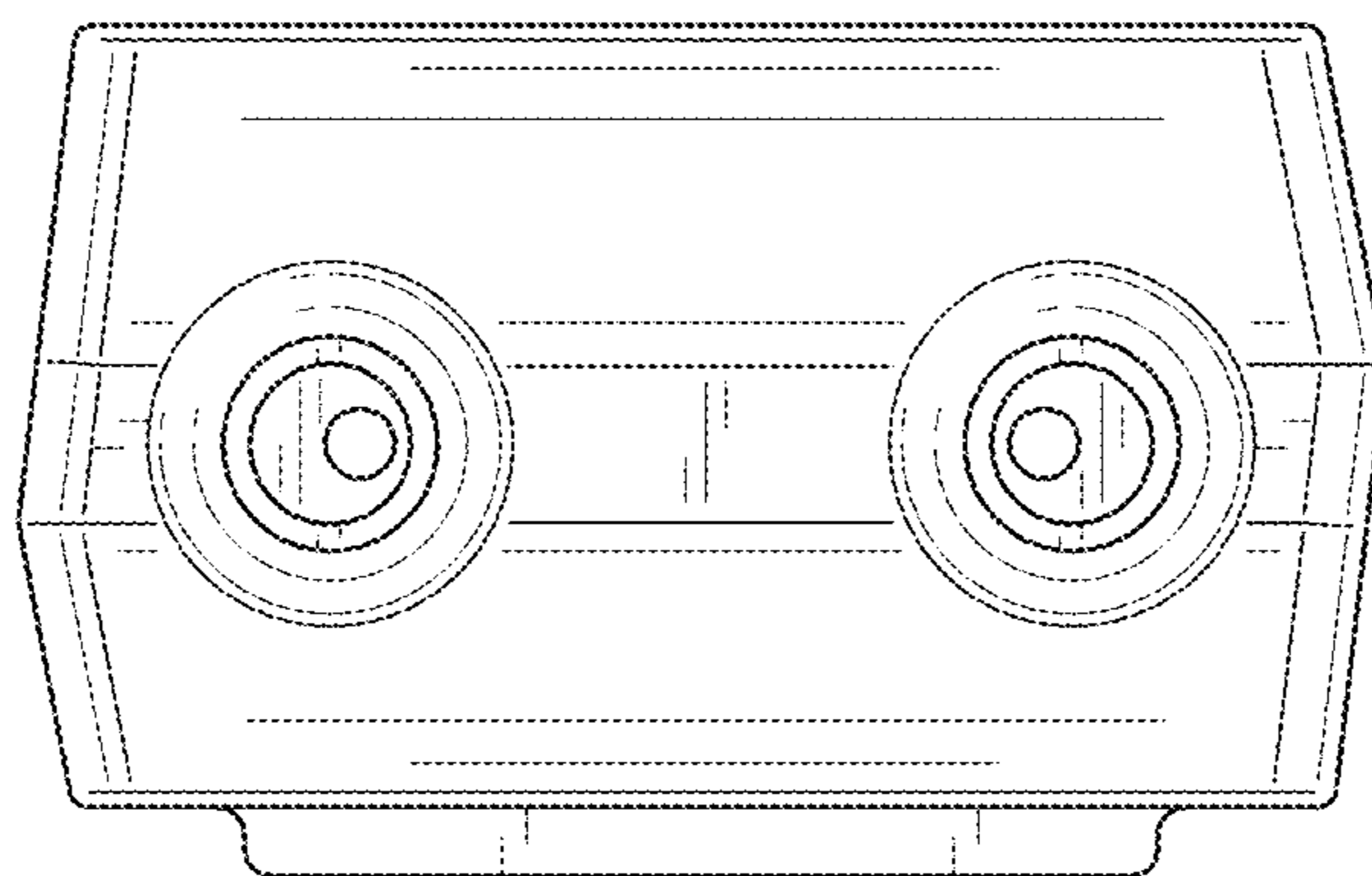


FIG. 15

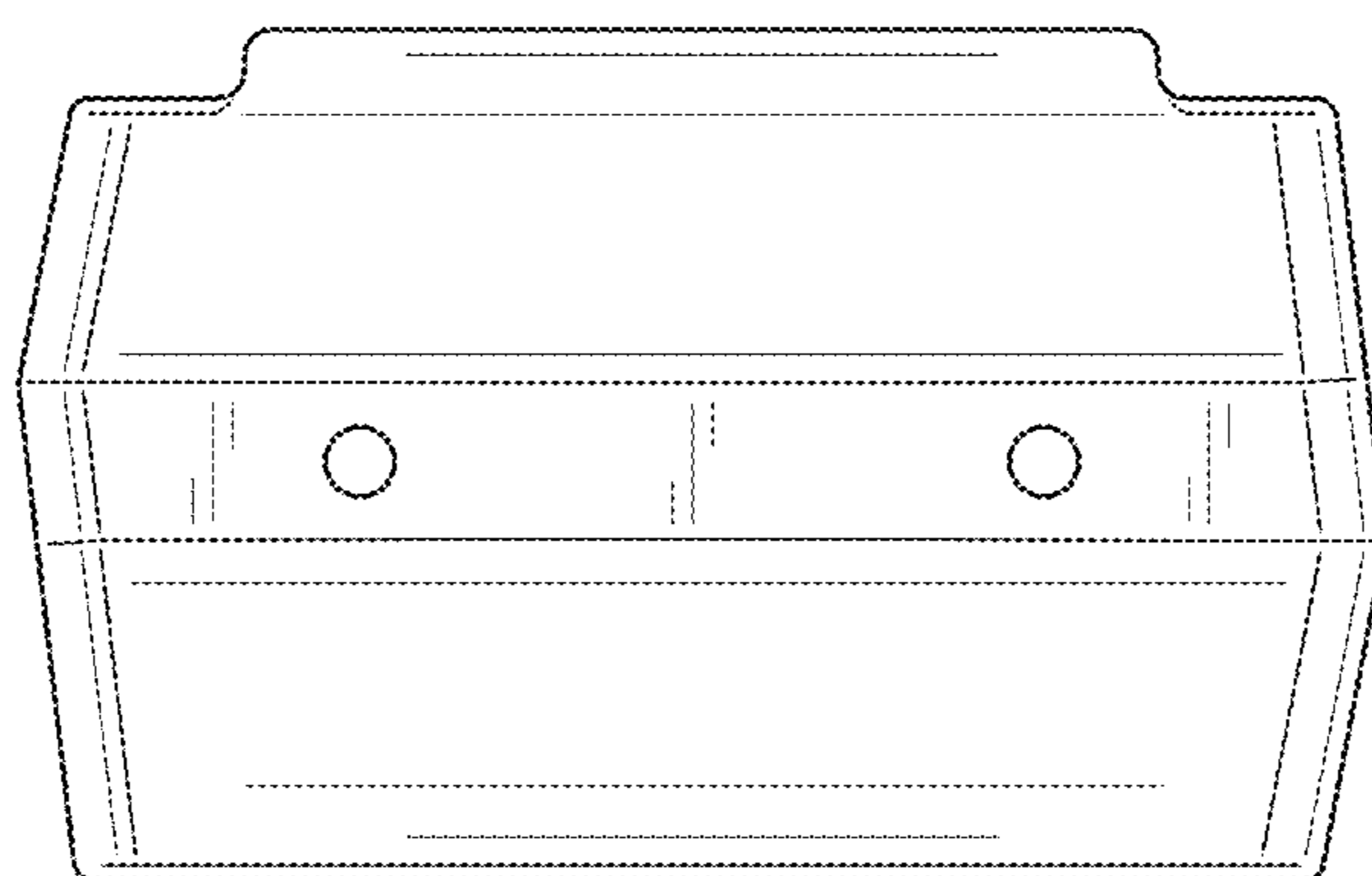


FIG. 16

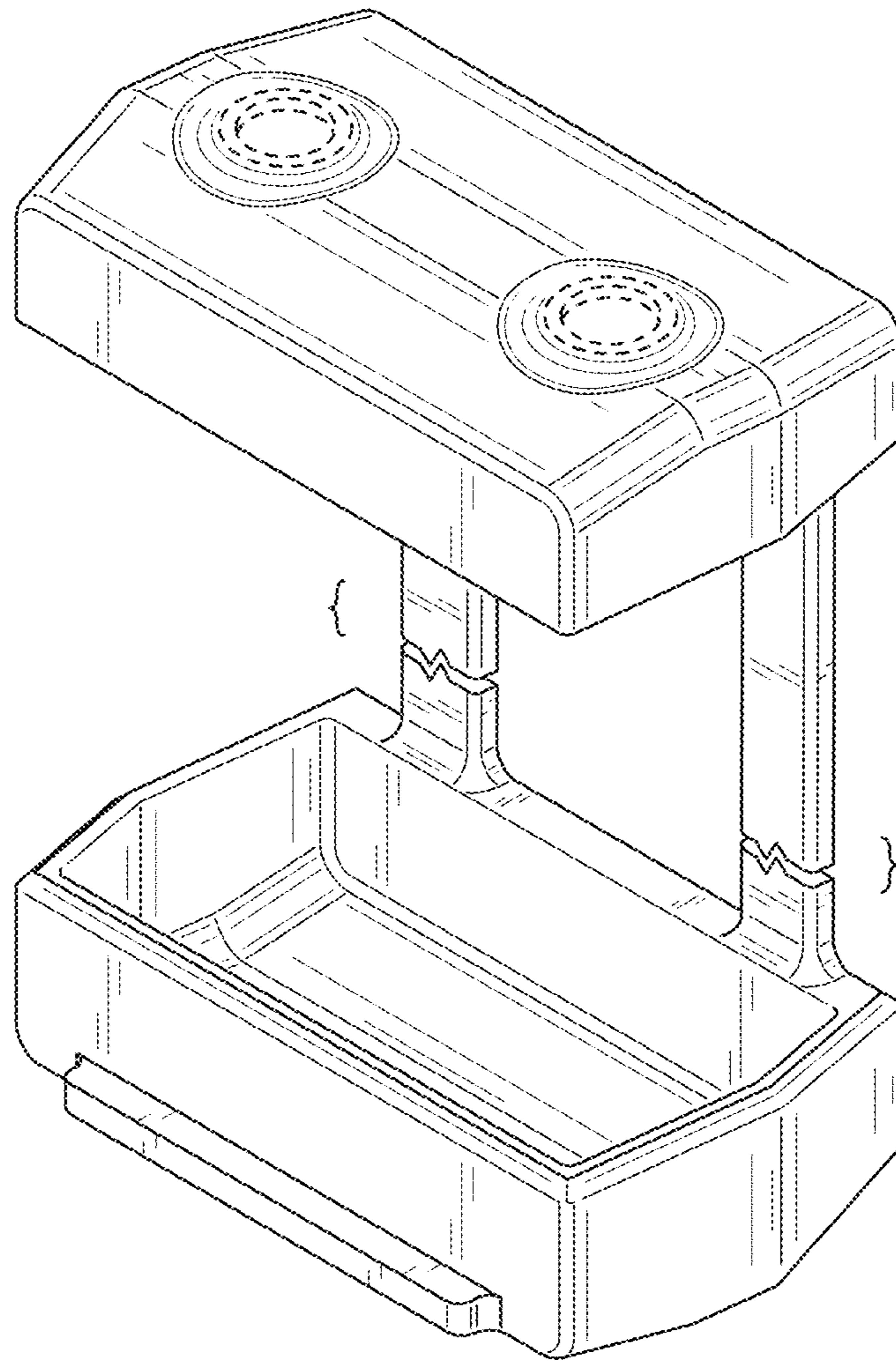


FIG. 17

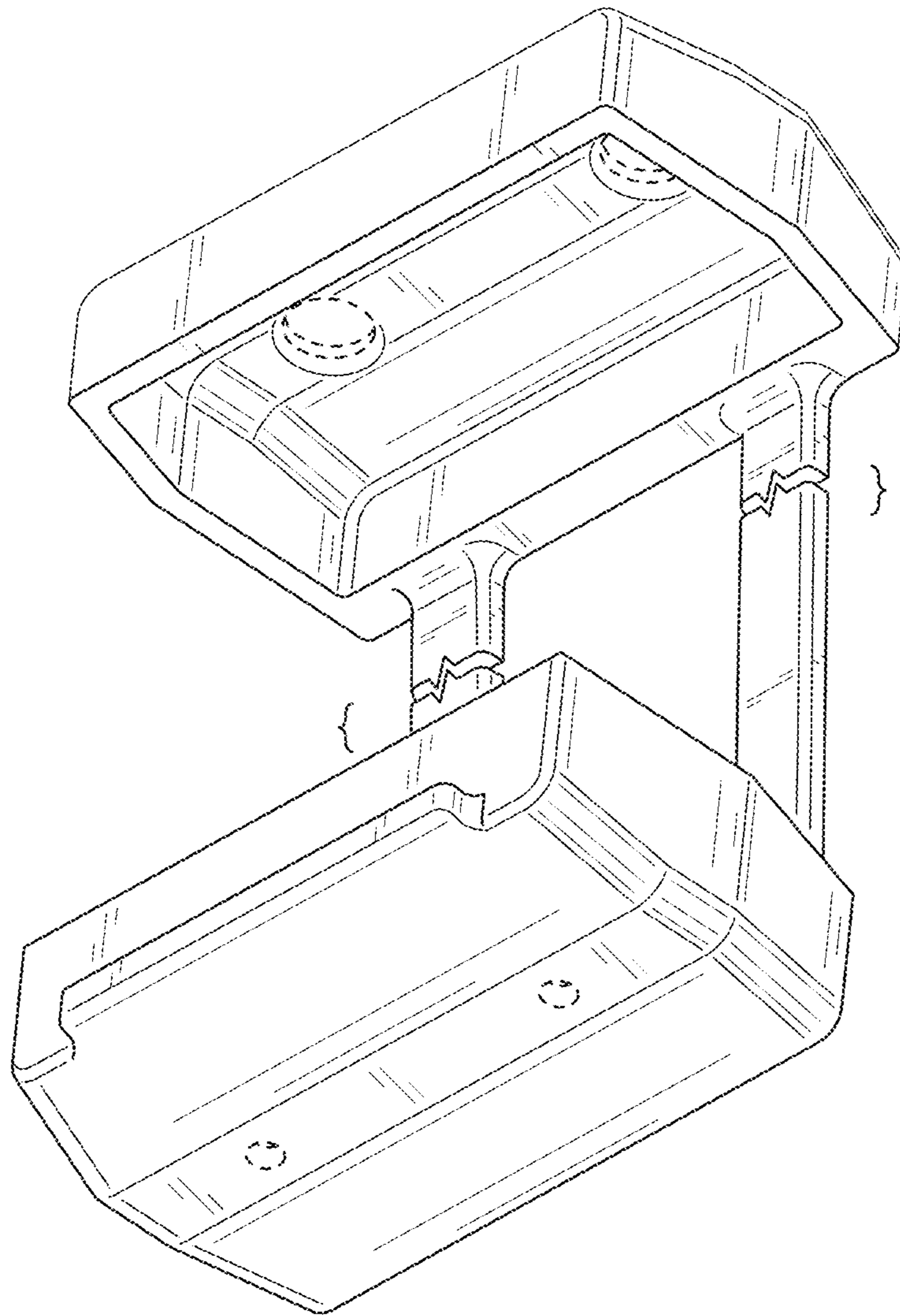


FIG. 18

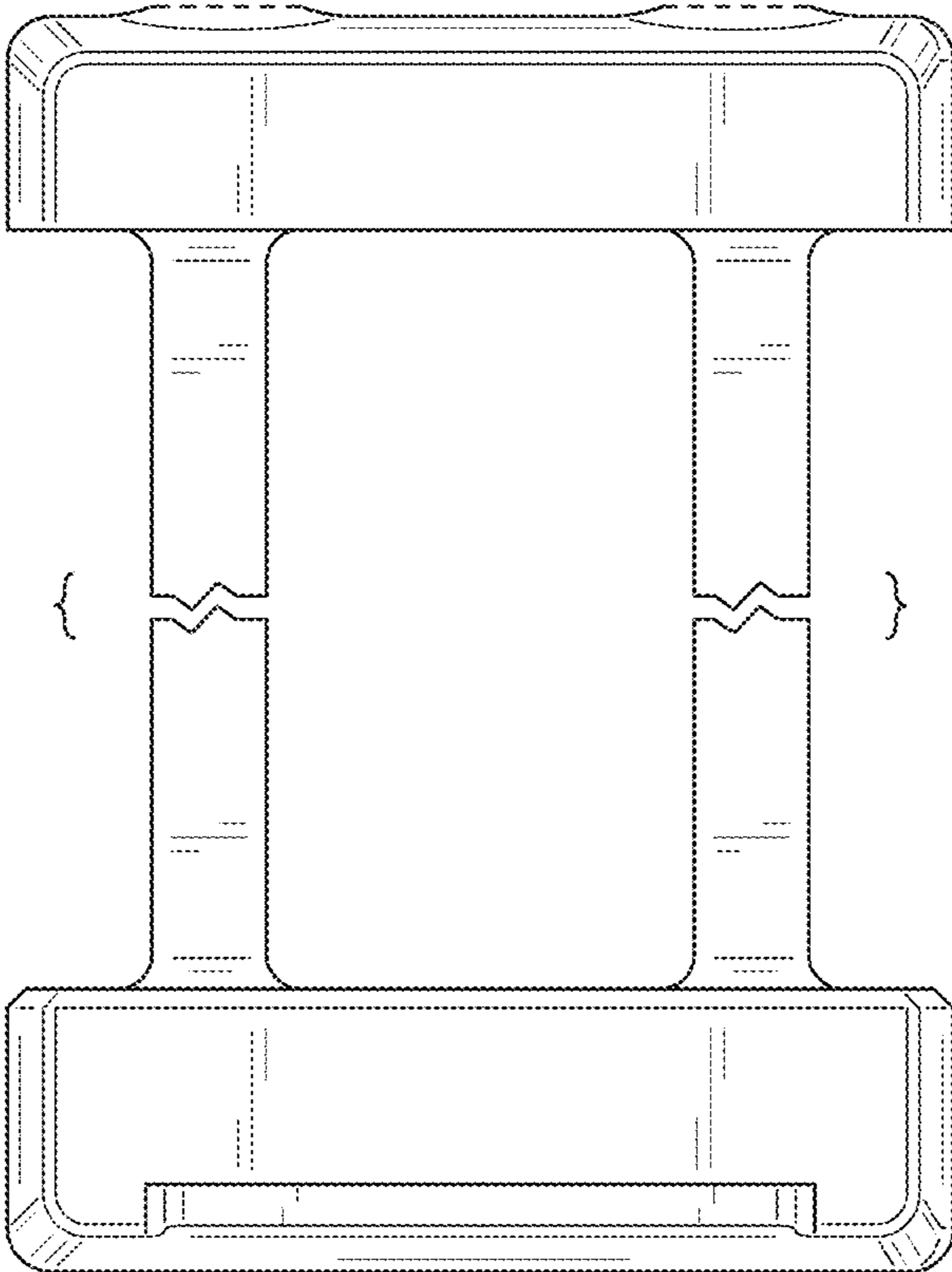


FIG. 19

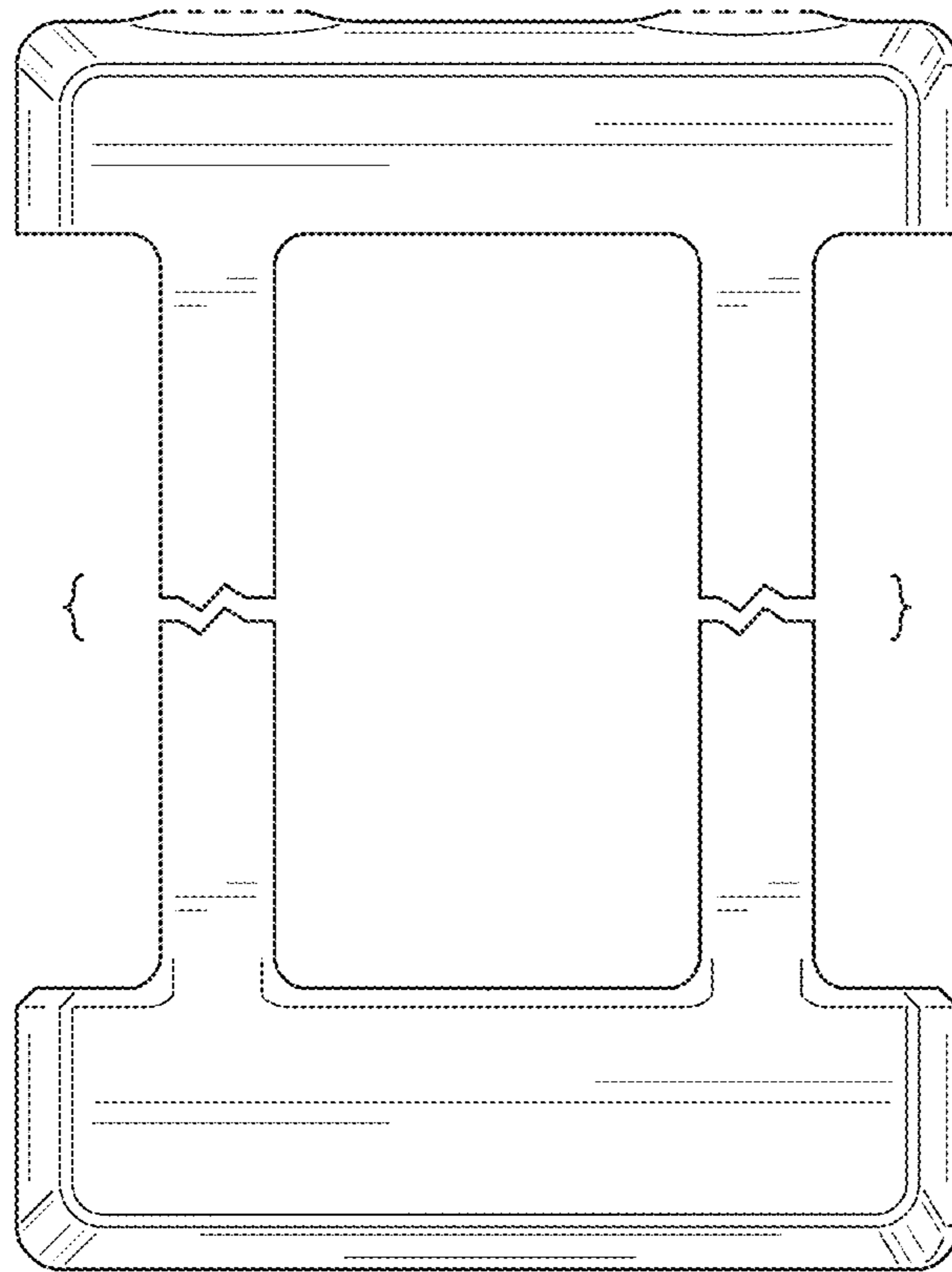


FIG. 20

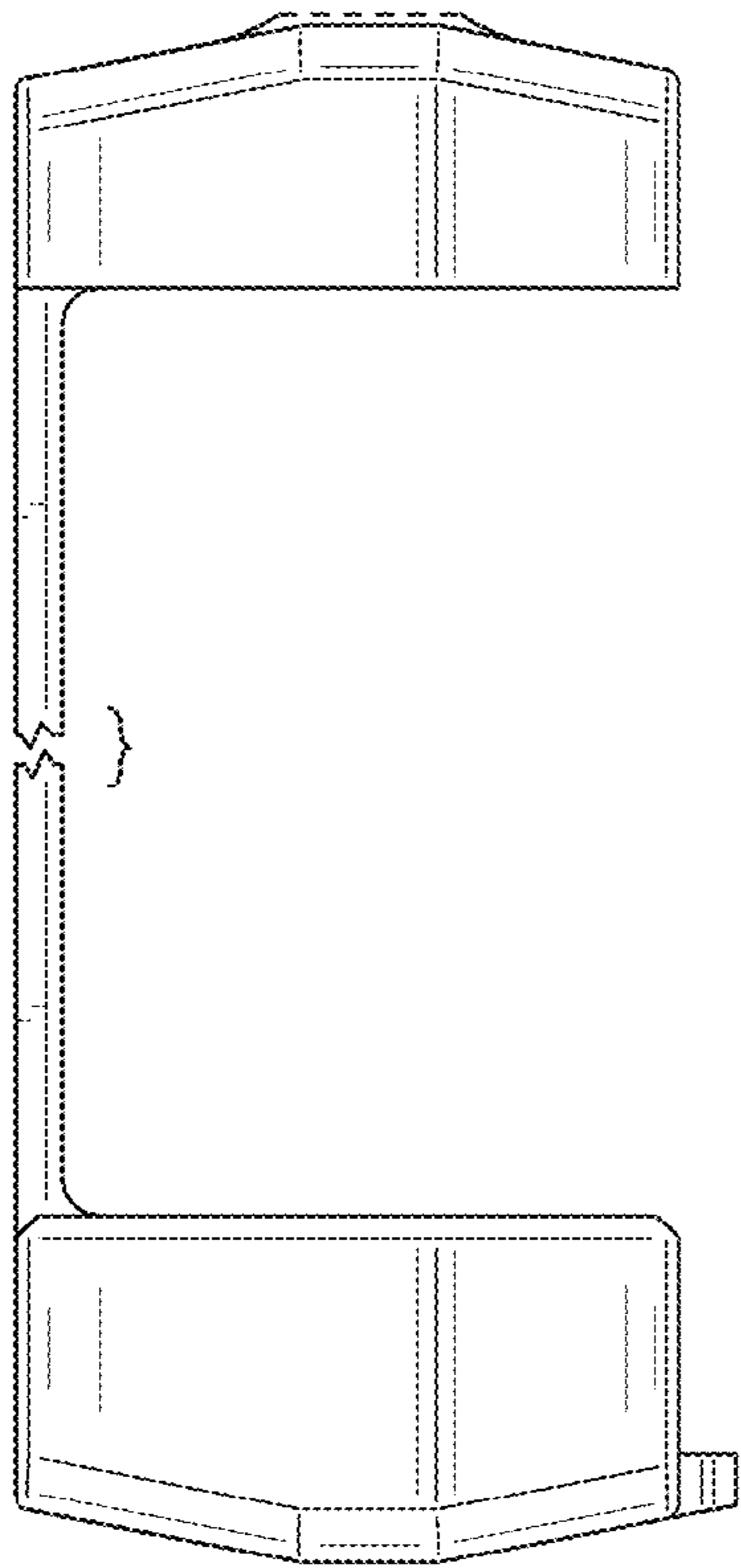


FIG. 21

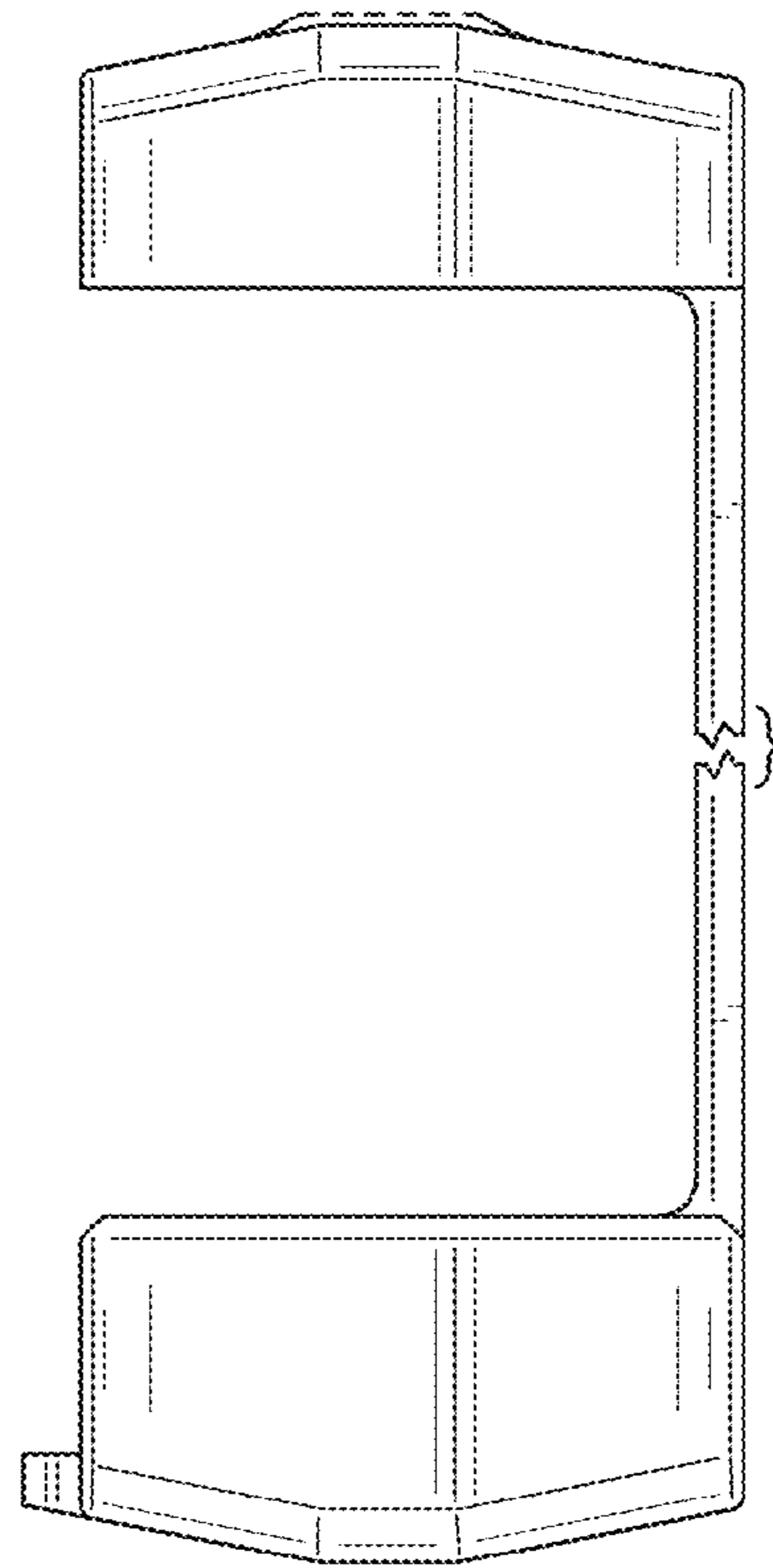


FIG. 22

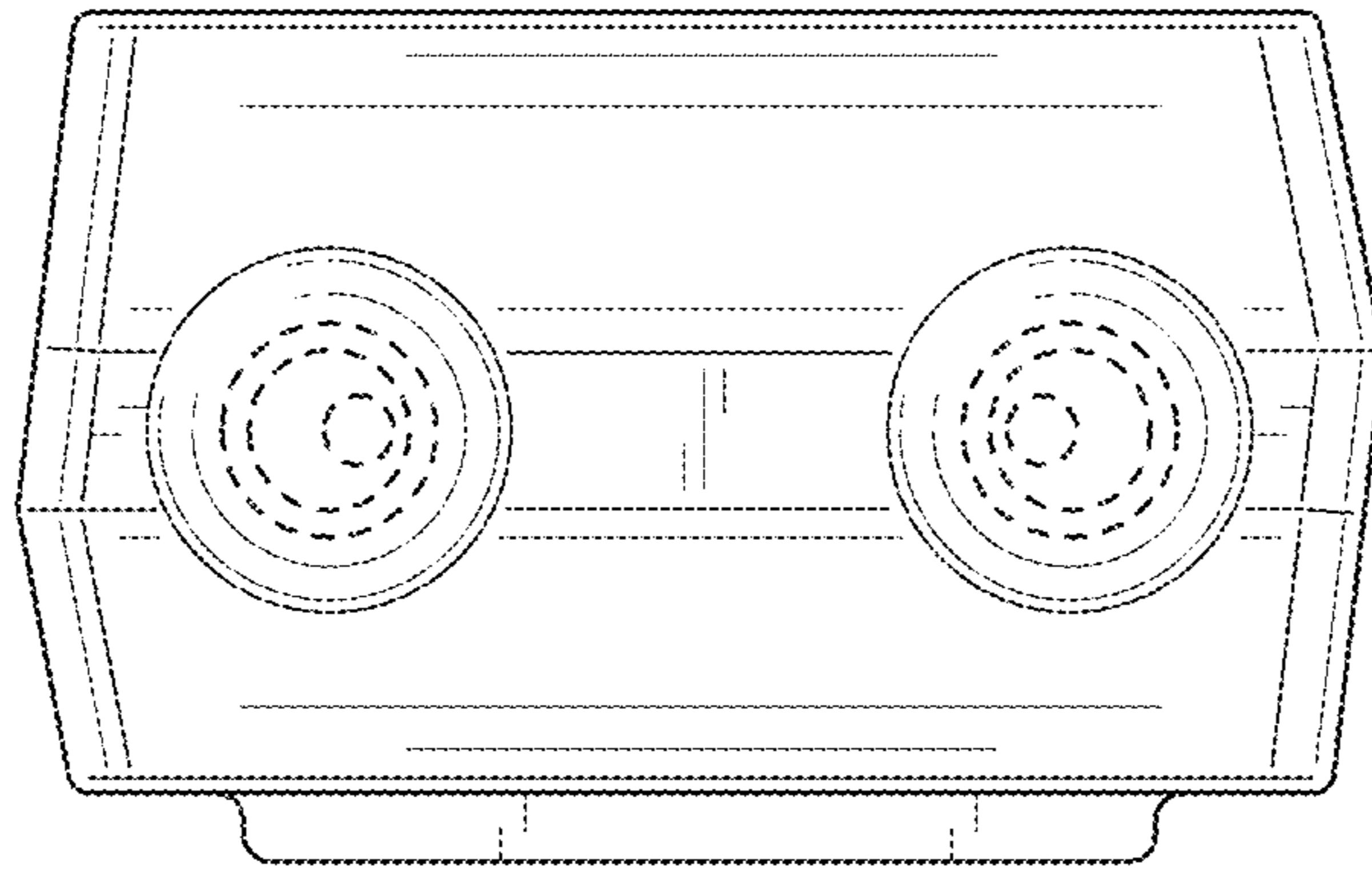


FIG. 23

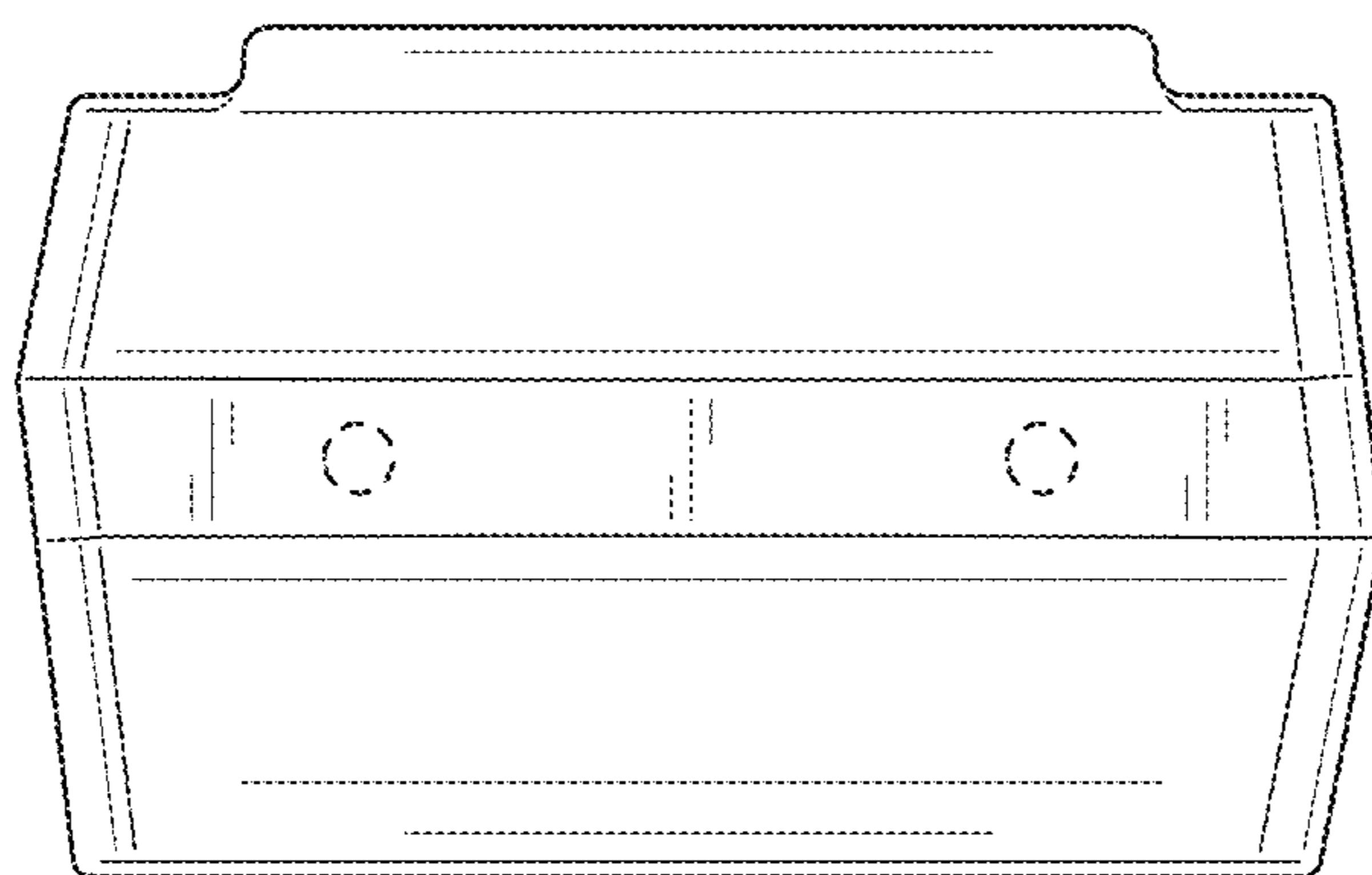


FIG. 24