



US00D745363S

(12) **United States Design Patent**
Polo Friz

(10) **Patent No.:** **US D745,363 S**
(45) **Date of Patent:** **** Dec. 15, 2015**

(54) **HINGE**

FOREIGN PATENT DOCUMENTS

(71) Applicant: **SFS intec Holding AG**, Heerbrugg (CH)

DE 102012101644 10/2012
DE 102012102528 1/2013

(72) Inventor: **Fabio Polo Friz**, Giaias di Aviano (IT)

(Continued)

(73) Assignee: **SFS intec Holding AG**, Heerbrugg (CH)

Primary Examiner — Wan Laymon
Assistant Examiner — Mark Booker

(**) Term: **14 Years**

(74) *Attorney, Agent, or Firm* — Volpe and Koenig, P.C.

(21) Appl. No.: **29/470,072**

(57) **CLAIM**

The ornamental design for a hinge, as shown and described.

(22) Filed: **Oct. 17, 2013**

DESCRIPTION

(30) **Foreign Application Priority Data**

May 16, 2013 (WO) DM/080910

(51) **LOC (10) Cl.** **08-06**

(52) **U.S. Cl.**
USPC **D8/323**

(58) **Field of Classification Search**

USPC D8/323, 324, 325, 327, 328, 329, 330,
D8/331, 336, 338, 346, 353, 403, 499;
D16/334; 4/236, 240; 16/225, 235,
16/236, 238, 241, 242, 243, 244, 245, 250,
16/275, 309, 379, 385, 390, 430
CPC Y10T 16/00; Y10T 16/52; Y10T 16/521;
Y10T 16/522; Y10T 16/5275; Y10T 16/528;
Y10T 16/532; Y10T 16/53247; Y10T
16/54056; Y10T 16/551; E05D 3/186; E05D
7/04

See application file for complete search history.

(56) **References Cited**

U.S. PATENT DOCUMENTS

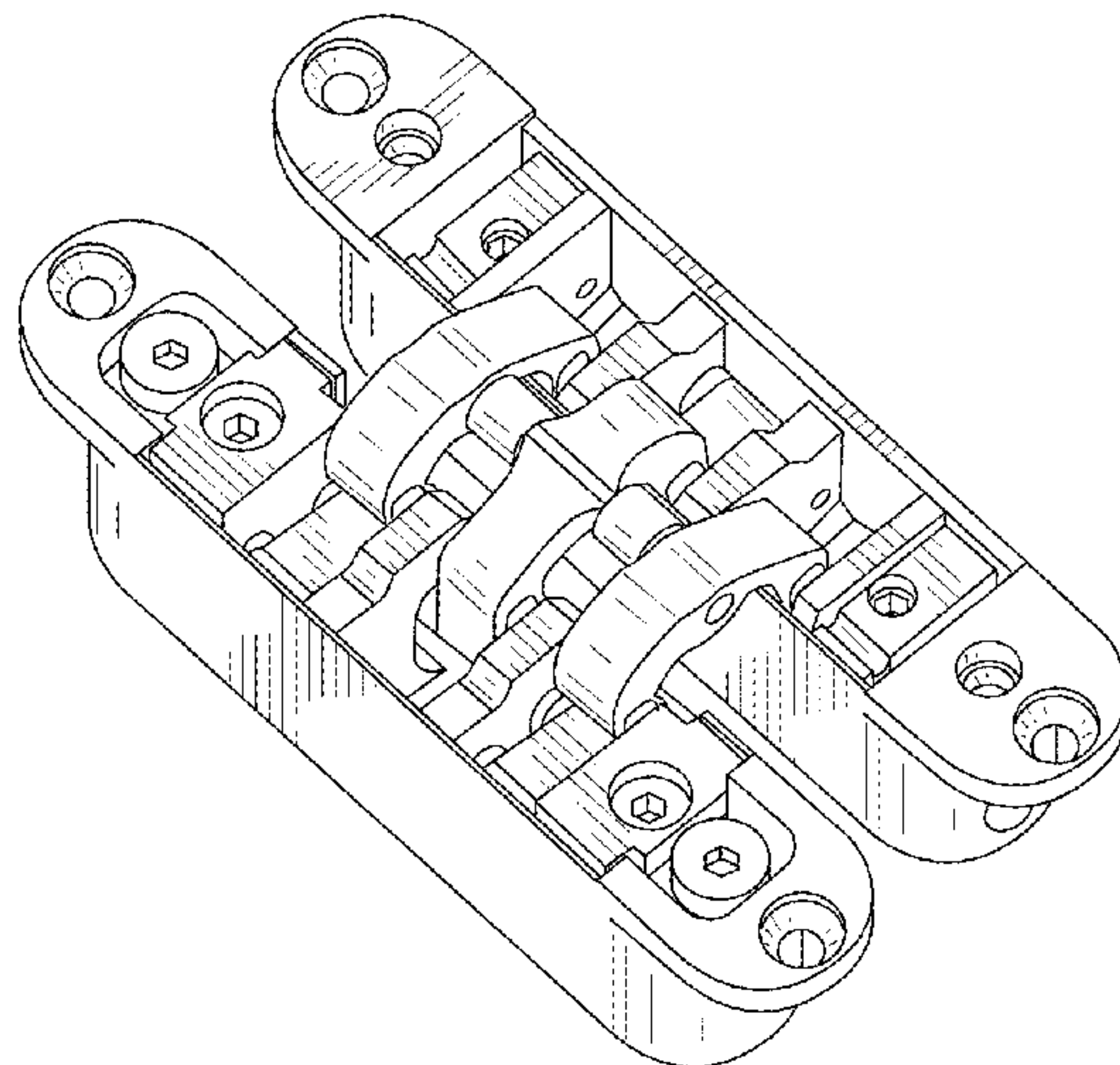
4,977,762 A * 12/1990 Dennis 70/14
6,829,808 B2 12/2004 Neukoter
D527,983 S * 9/2006 Soriano D8/328
D605,926 S * 12/2009 Yamaguchi D8/328

(Continued)

FIG. 1 is a top, front, left perspective view of a first embodiment of a hinge in accordance with my design;
FIG. 2 is a top plan view thereof;
FIG. 3 is a left side elevational view thereof;
FIG. 4 is a right side elevational view thereof;
FIG. 5 is a bottom view thereof;
FIG. 6 is a front elevational view thereof; and
FIG. 7 is a rear elevational view thereof;
FIG. 8 is a top, front, left perspective view of a second embodiment of a hinge in accordance with my design;
FIG. 9 is a top plan view thereof;
FIG. 10 is a left side elevational view thereof;
FIG. 11 is a right side elevational view thereof;
FIG. 12 is a bottom view thereof;
FIG. 13 is a front elevational view thereof; and
FIG. 14 is a rear elevational view thereof;
FIG. 15 is a top, front, left perspective view of a third embodiment of a hinge in accordance with my design;
FIG. 16 is a top plan view thereof;
FIG. 17 is a left side elevational view thereof;
FIG. 18 is a right side elevational view thereof;
FIG. 19 is a bottom view thereof;
FIG. 20 is a front elevational view thereof; and,
FIG. 21 is a rear elevational view thereof.

The broken line showing portions of hinge is included for the purpose of illustrating environmental structure and forms no part of the claimed design.

1 Claim, 12 Drawing Sheets



(56)

References Cited

U.S. PATENT DOCUMENTS

D625,576 S * 10/2010 Oshima D8/329
D632,540 S * 2/2011 Oshima D8/329
D632,945 S * 2/2011 Oshima D8/329
D635,434 S * 4/2011 Oshima D8/329
D658,032 S * 4/2012 Oshima et al. D8/329
D661,173 S * 6/2012 Caffin et al. D8/323
D673,024 S * 12/2012 Caffin et al. D8/323
8,434,197 B2 * 5/2013 Oshima 16/357
D725,990 S * 4/2015 Zheng D8/323
2008/0022491 A1 * 1/2008 Campbell et al. 16/236

2012/0291222 A1* 11/2012 Liermann 16/237
2012/0291225 A1 11/2012 Liermann
2013/0219662 A1 8/2013 Neukoetter

FOREIGN PATENT DOCUMENTS

EP 1308592 10/2002
EP 2292881 10/2012
EP 1063376 11/2012
EP 2525031 11/2012
KR 1020120125998 11/2012

* cited by examiner

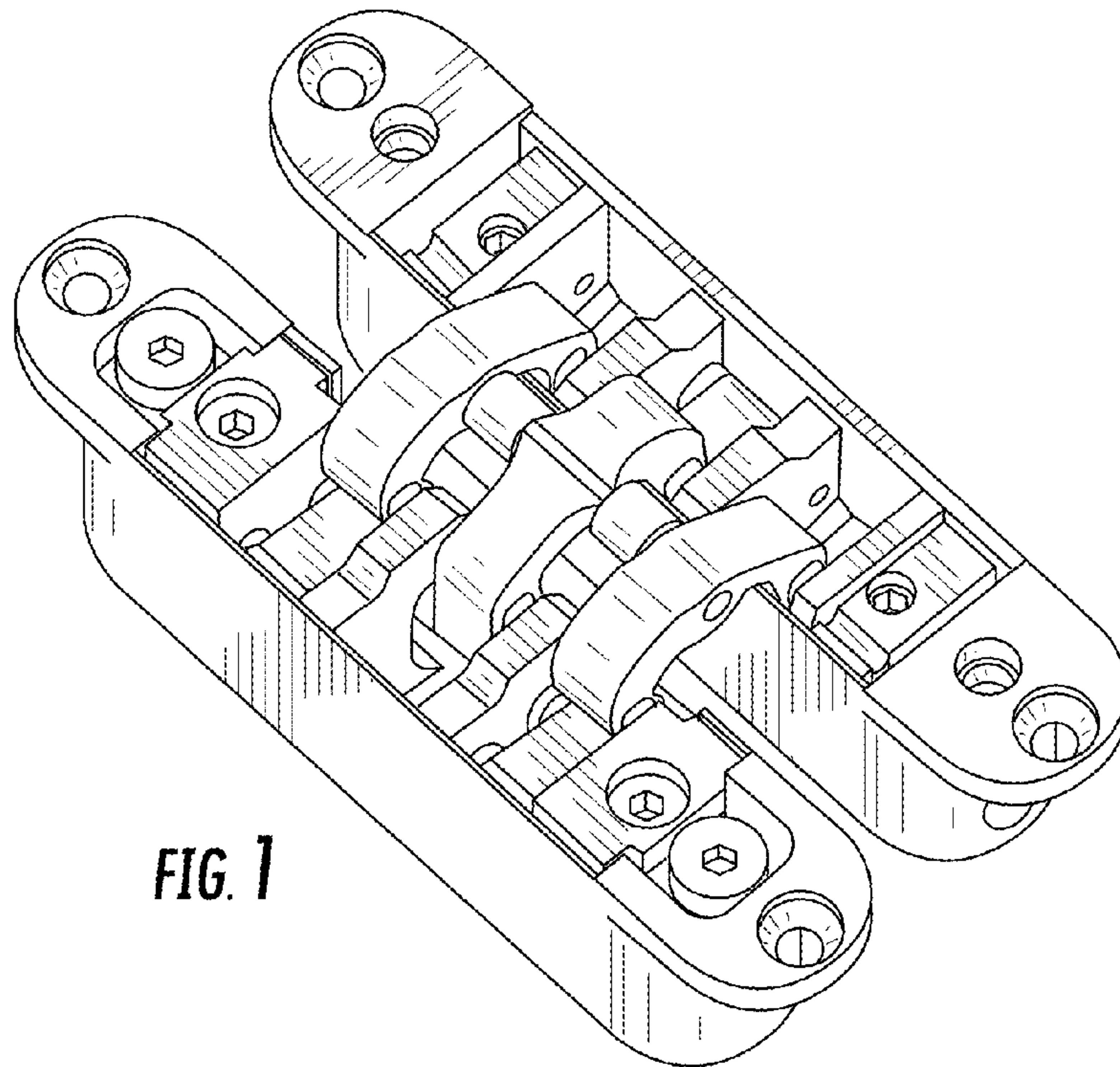


FIG. 1

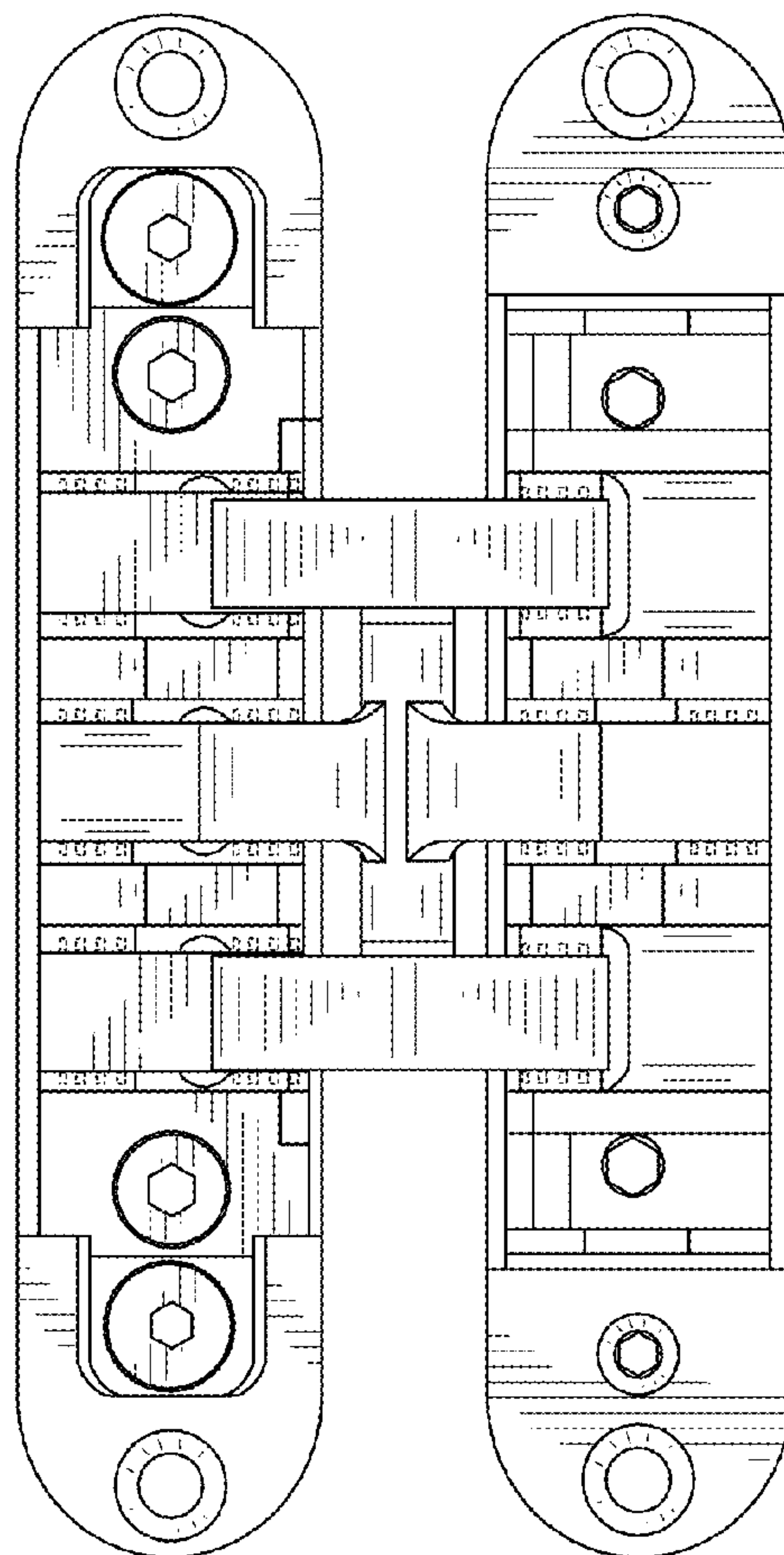


FIG. 2

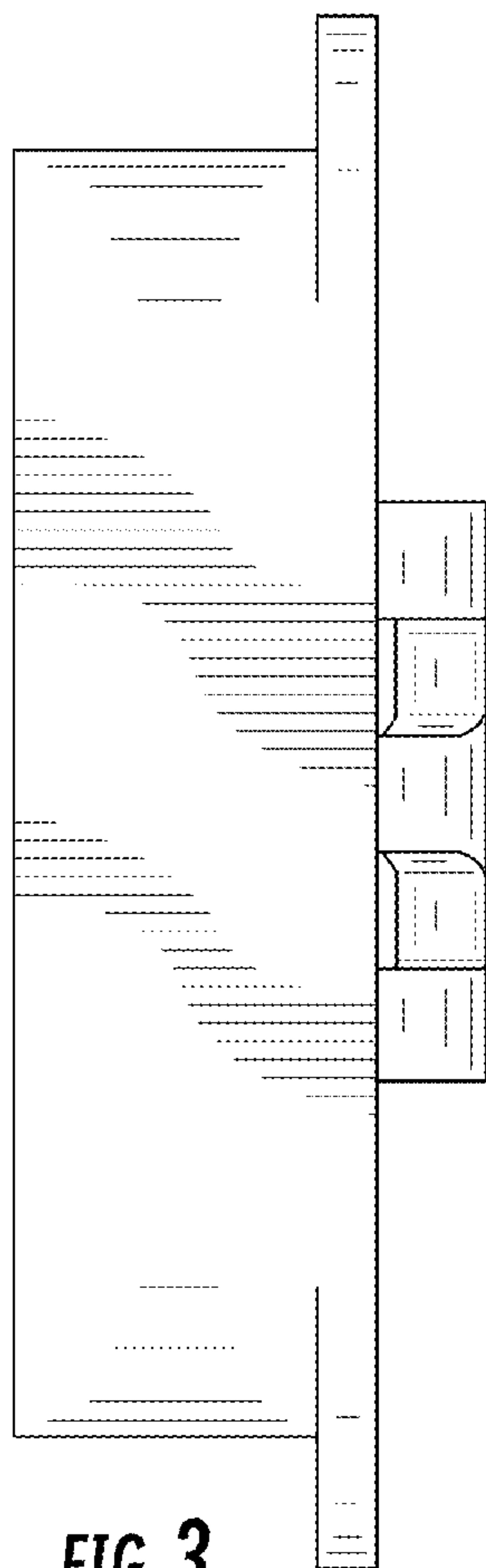


FIG. 3

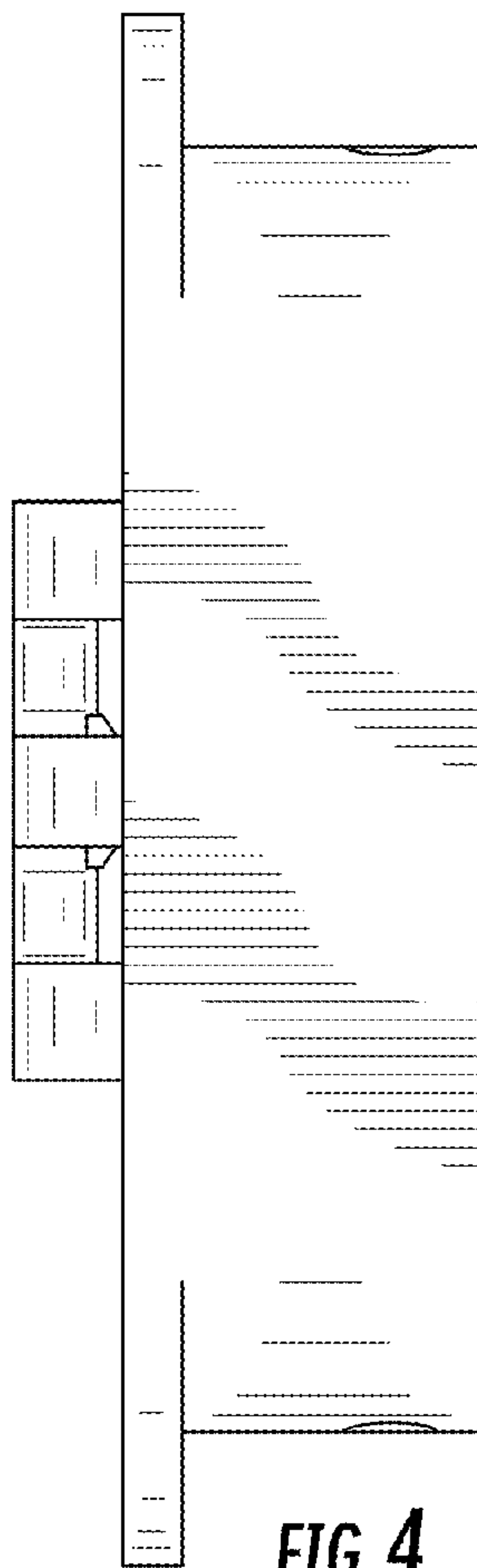


FIG. 4

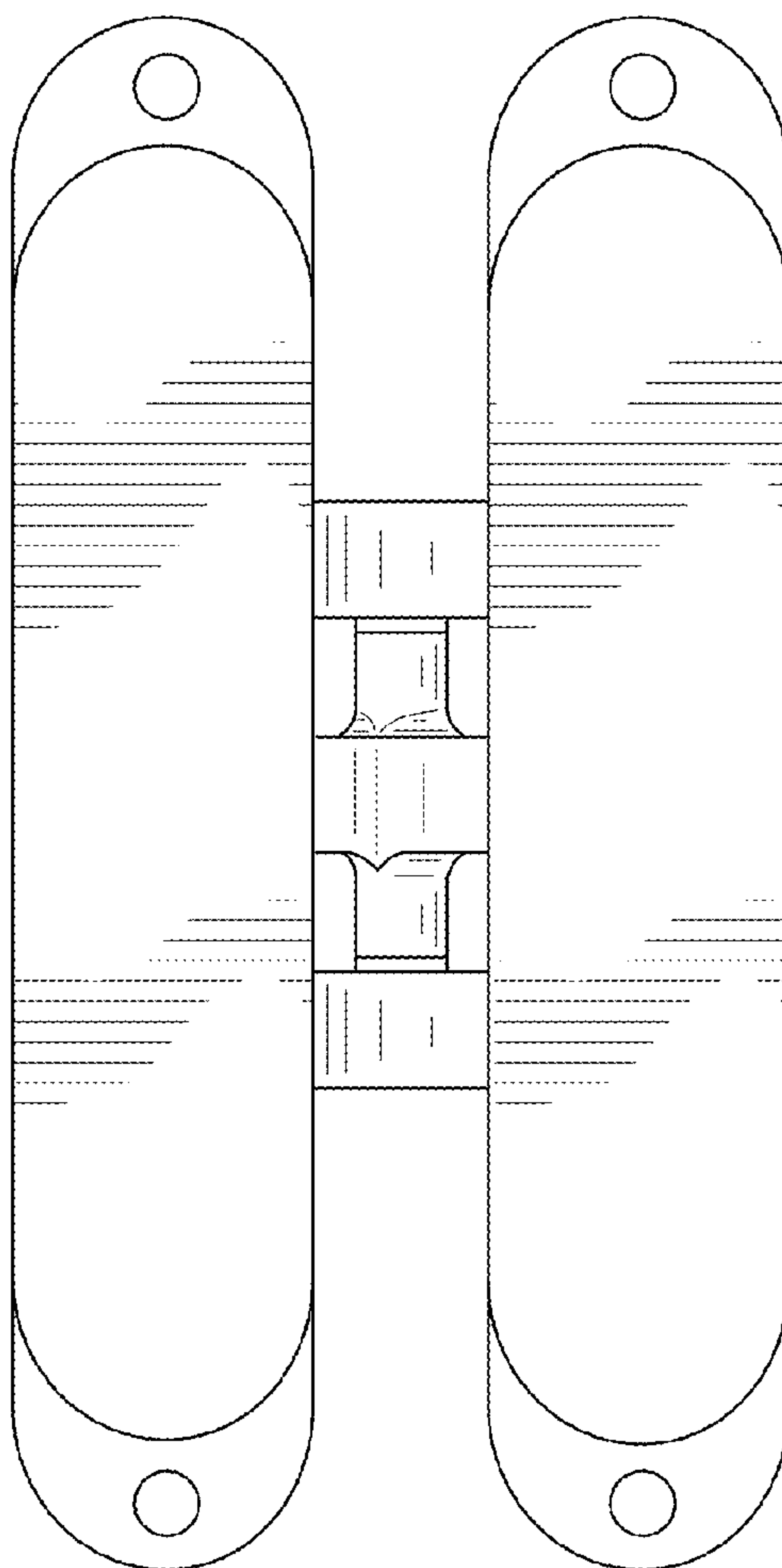


FIG. 5

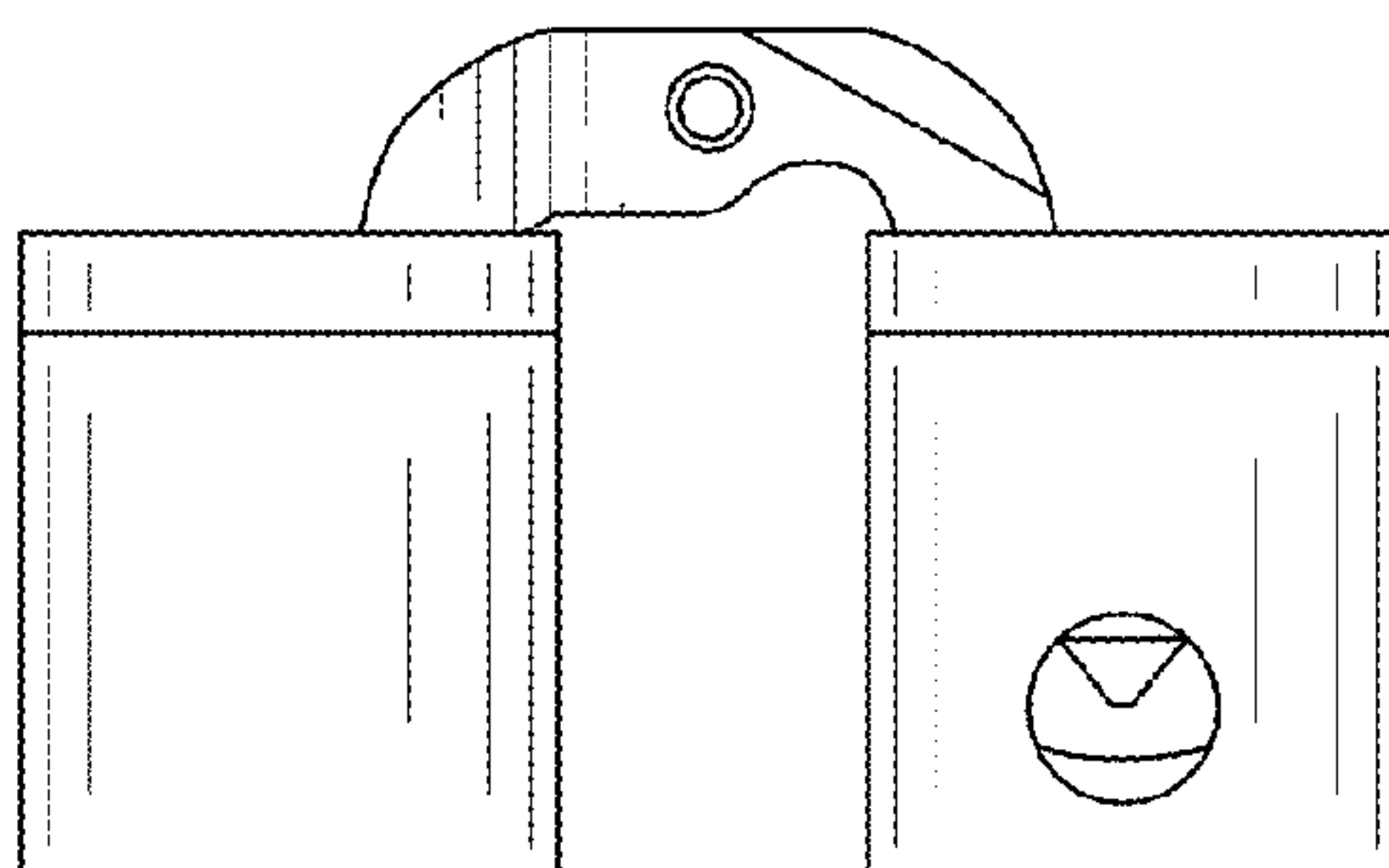


FIG. 6

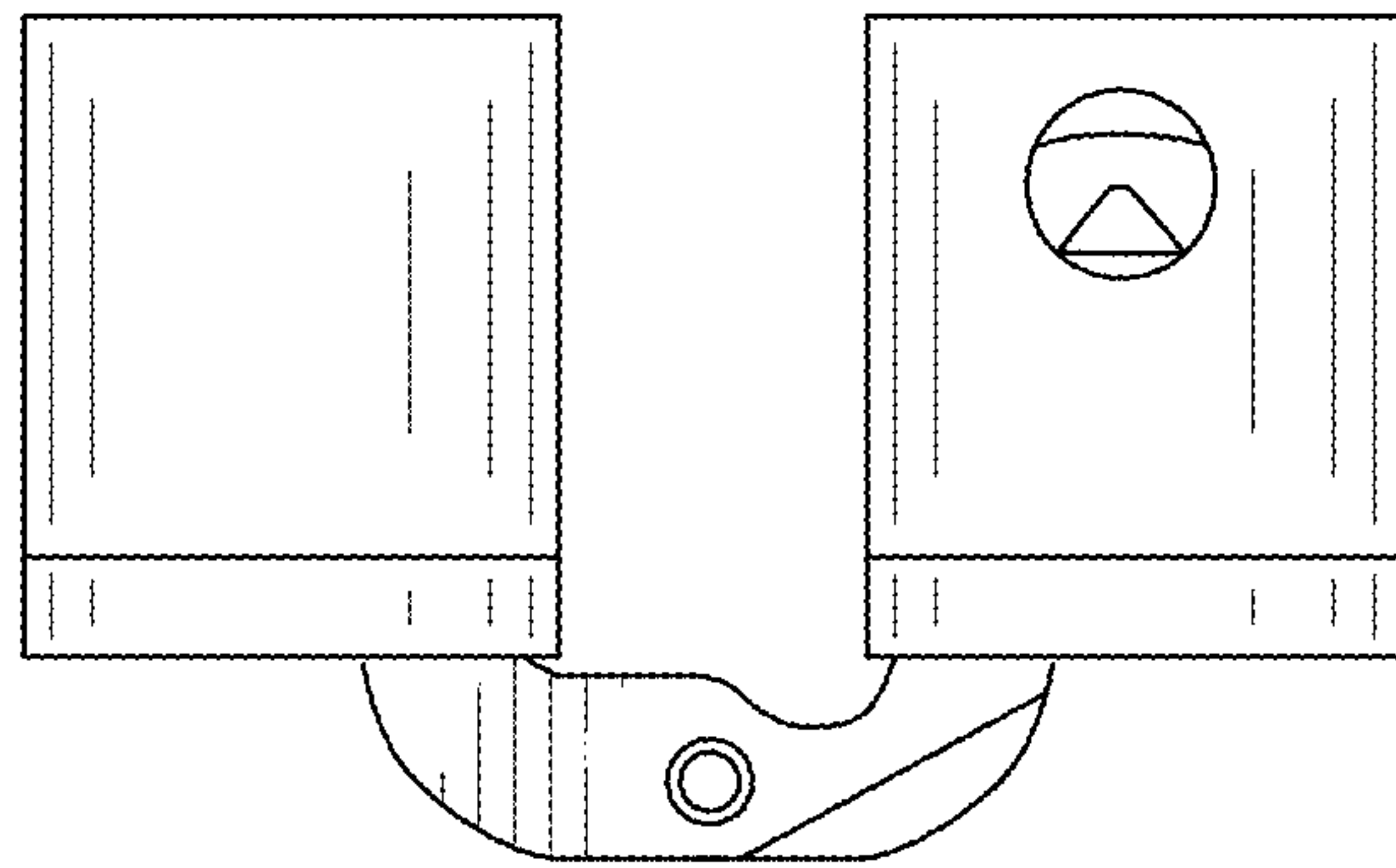


FIG. 7

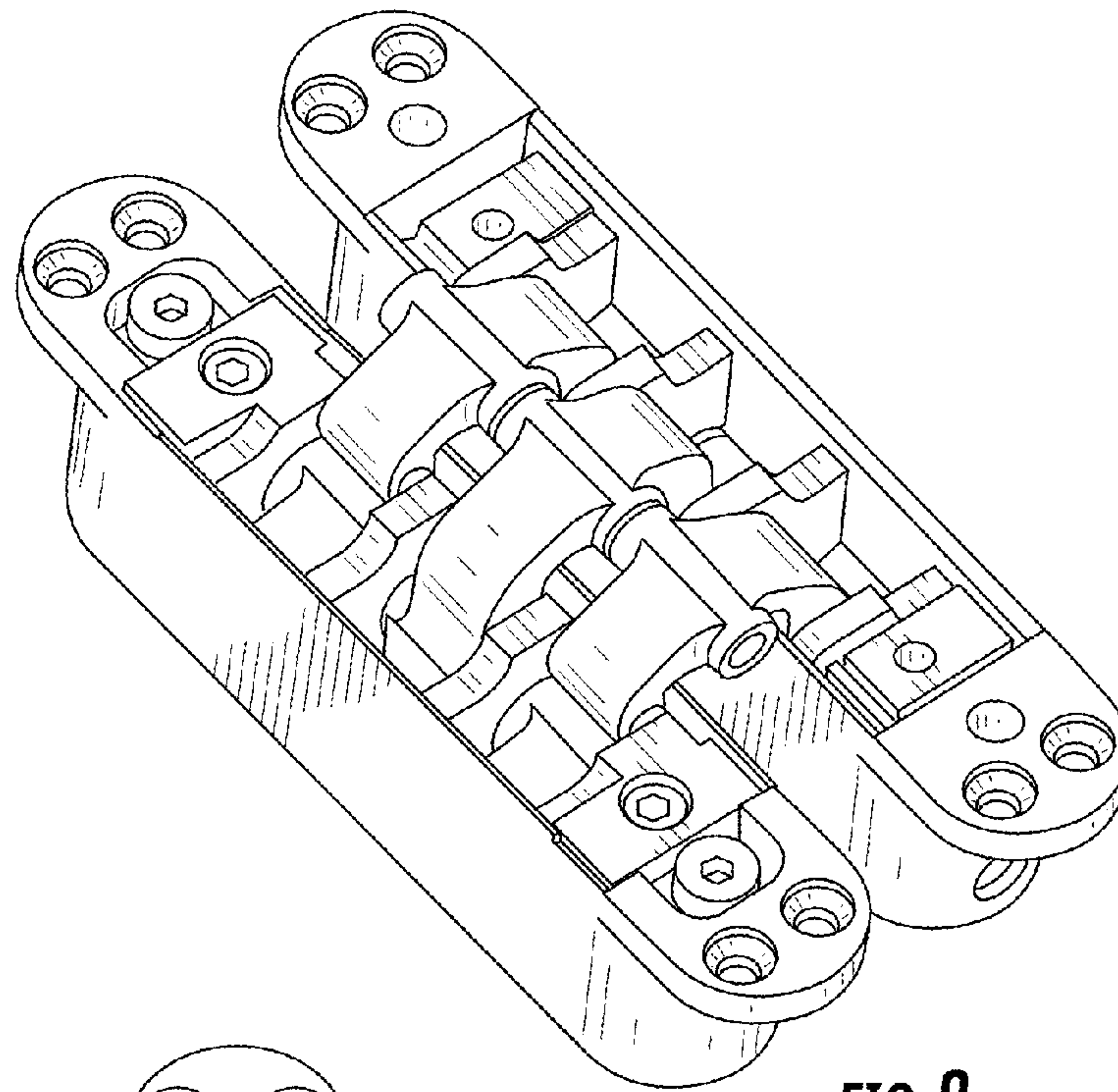


FIG. 8

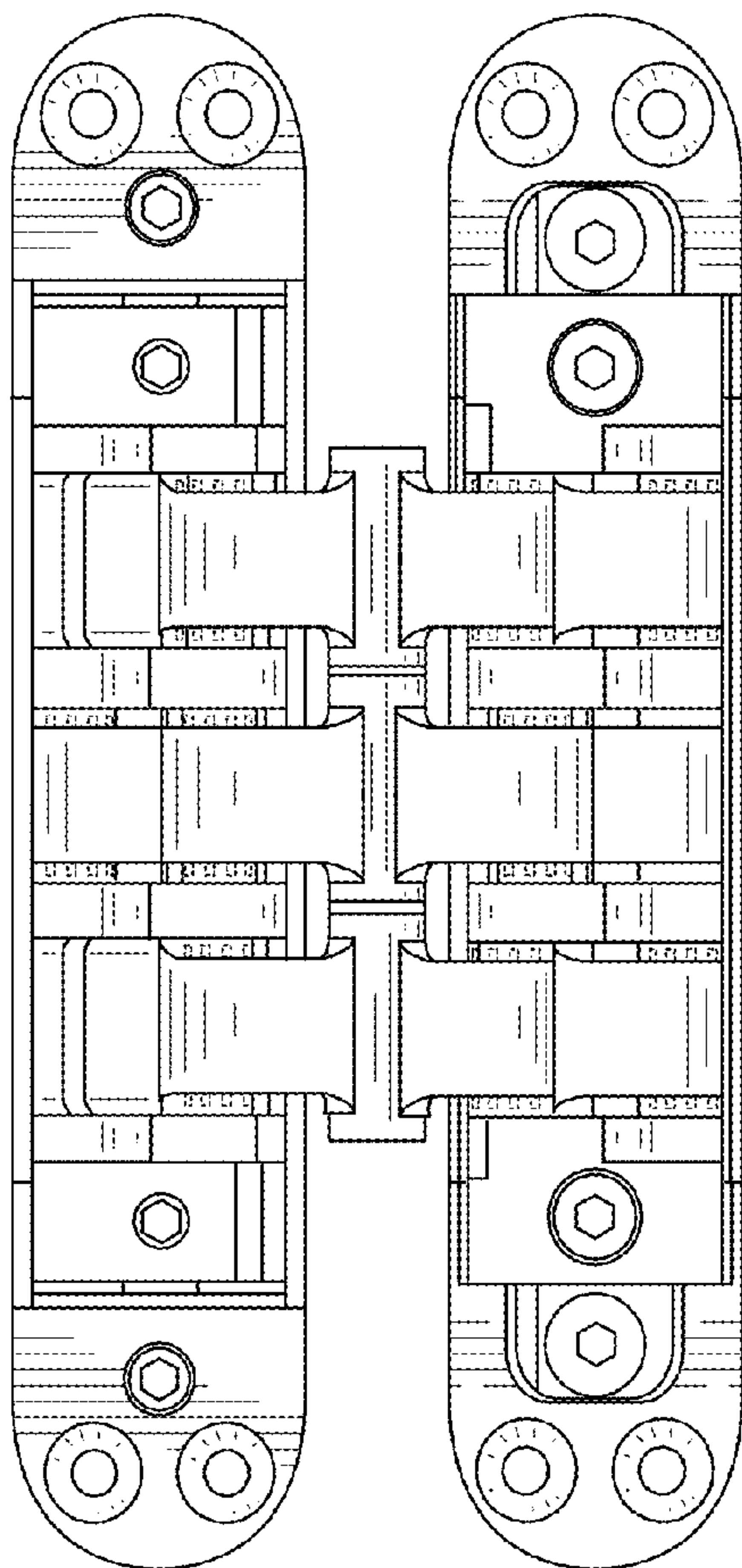


FIG. 9

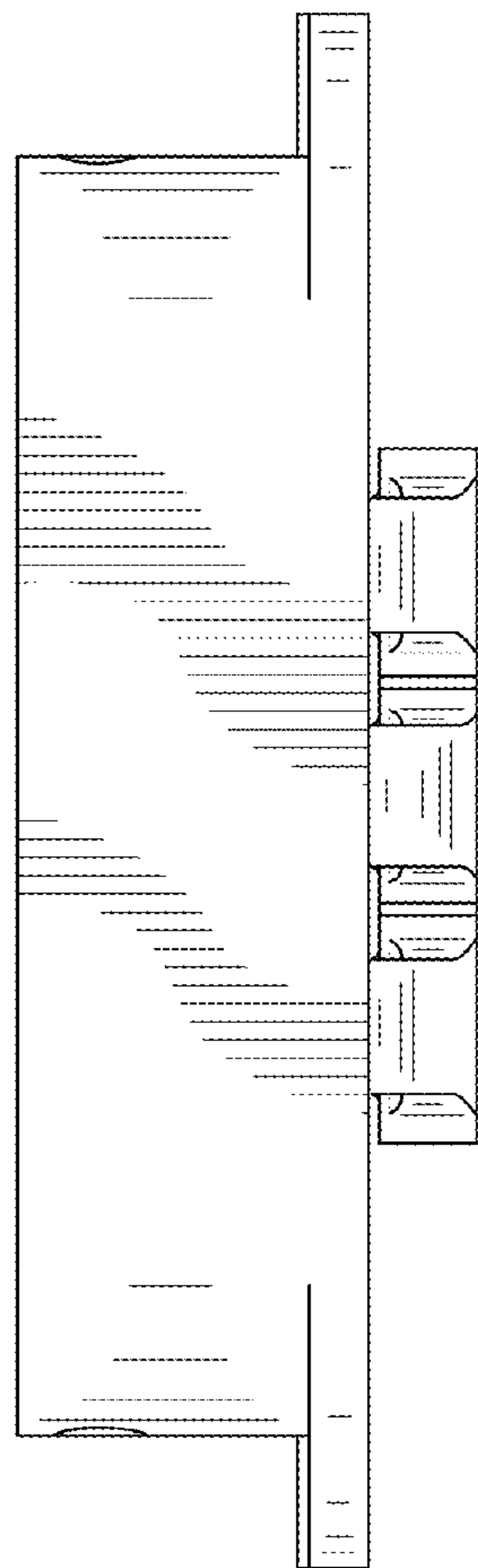


FIG. 10

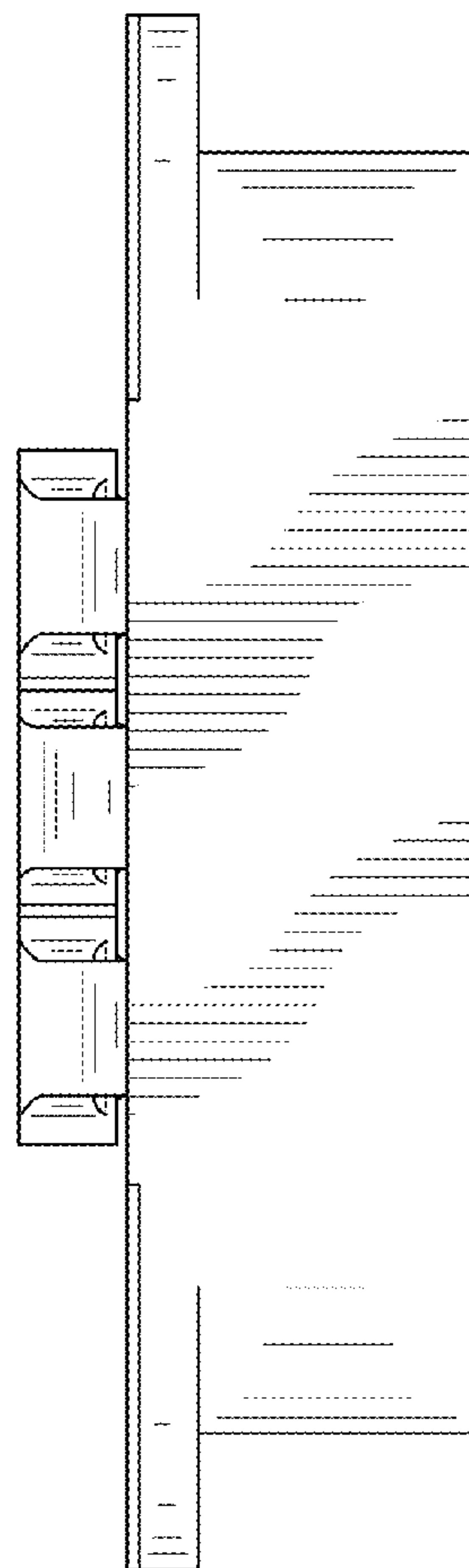


FIG. 11

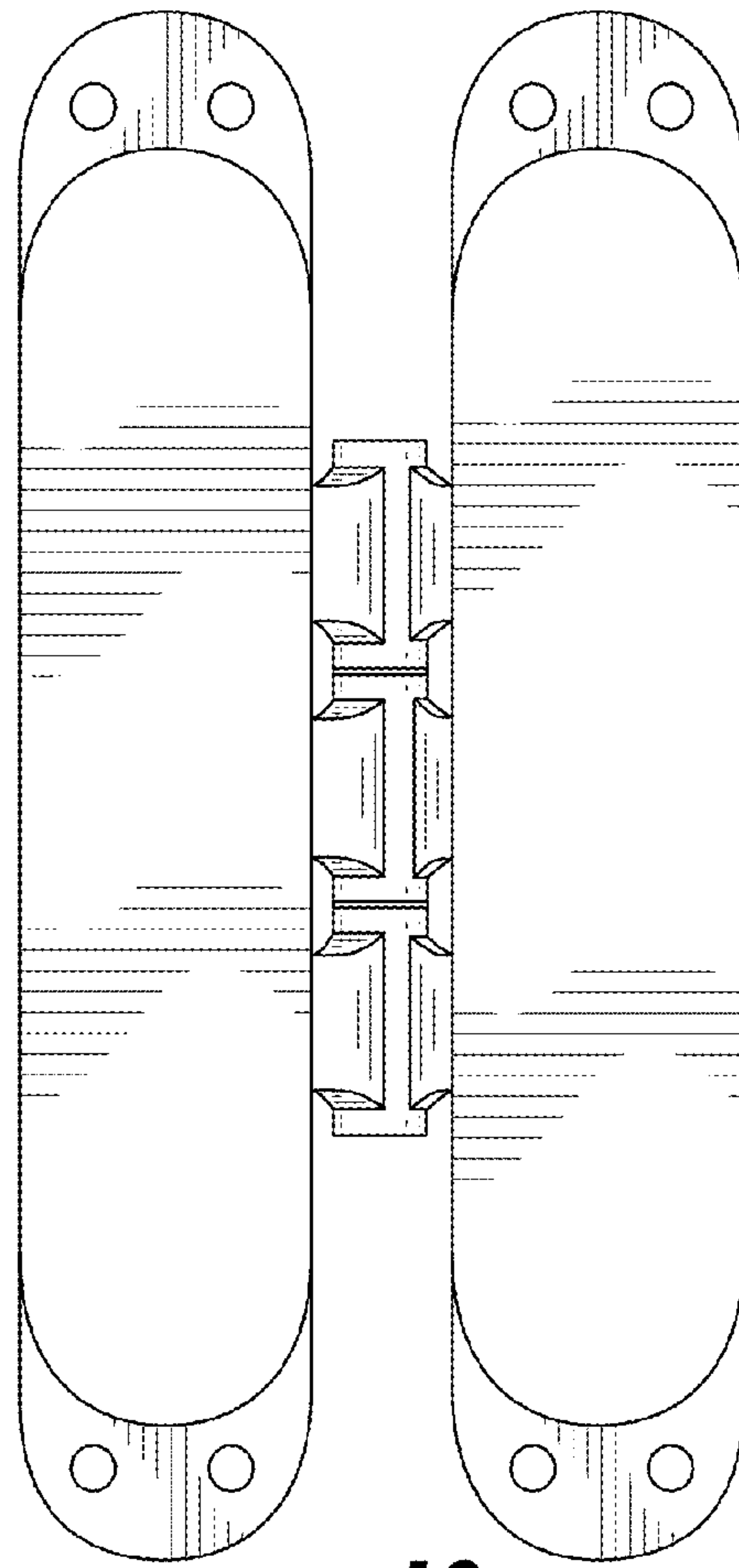


FIG. 12

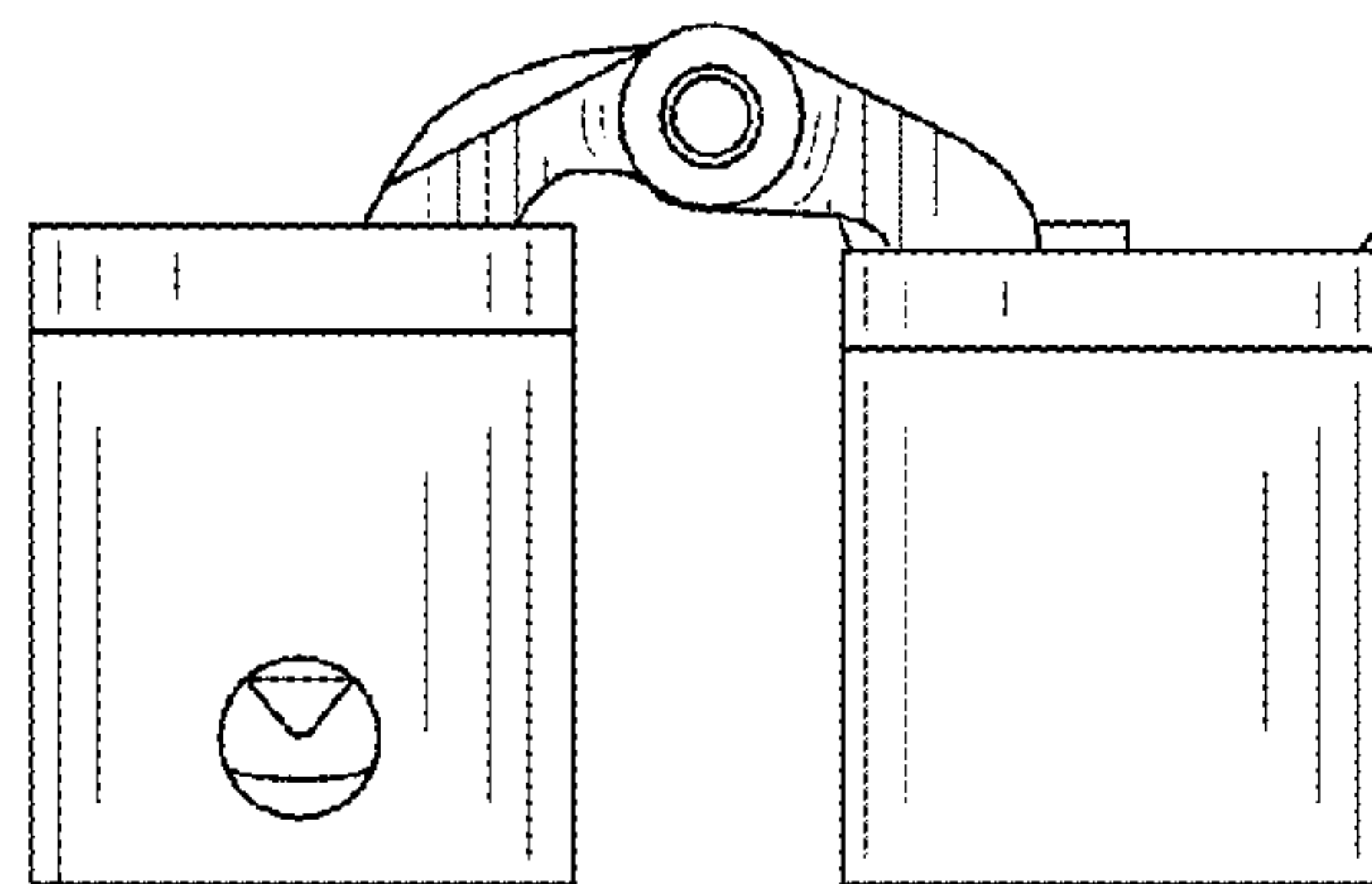


FIG. 13

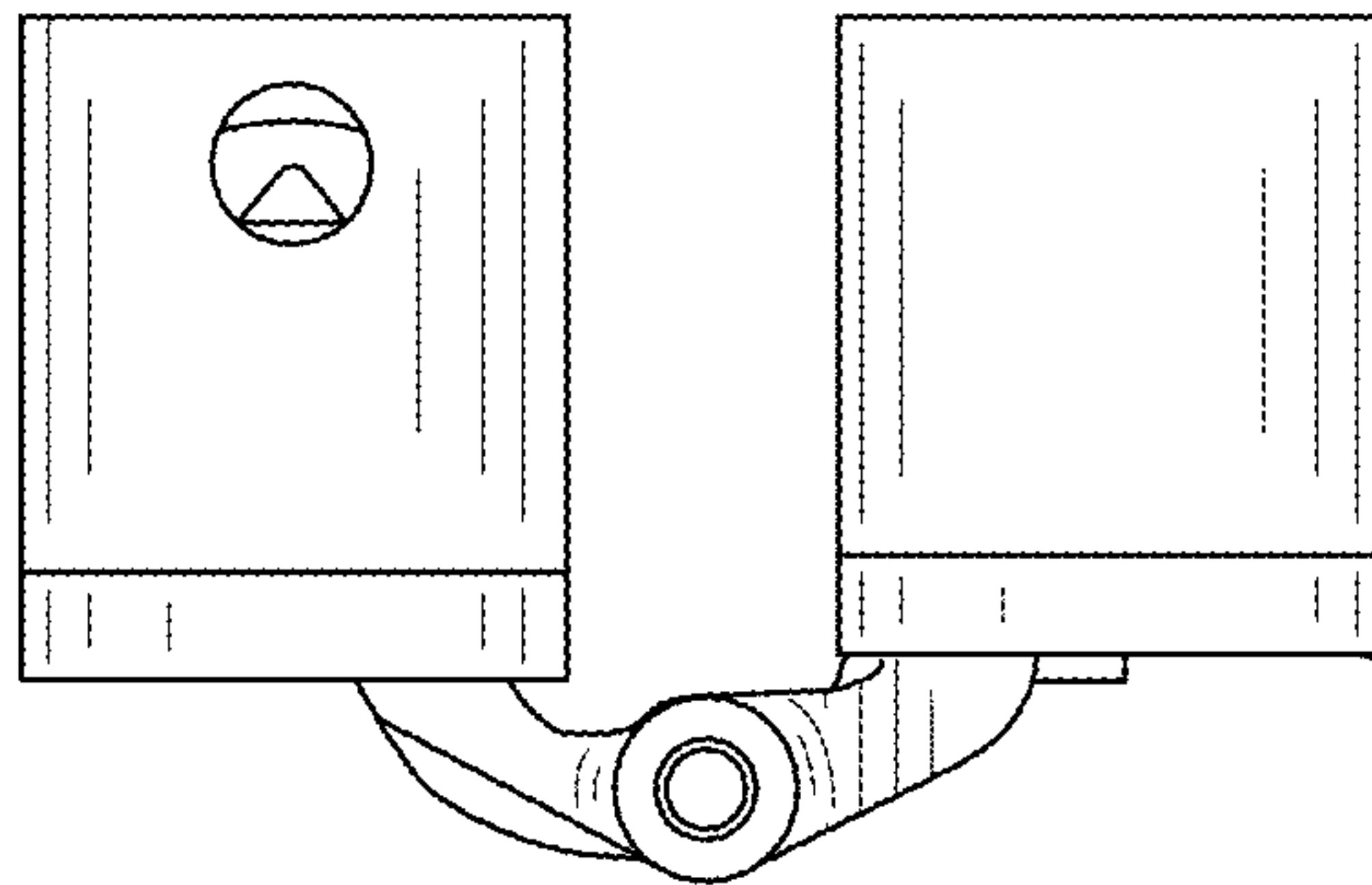


FIG. 14

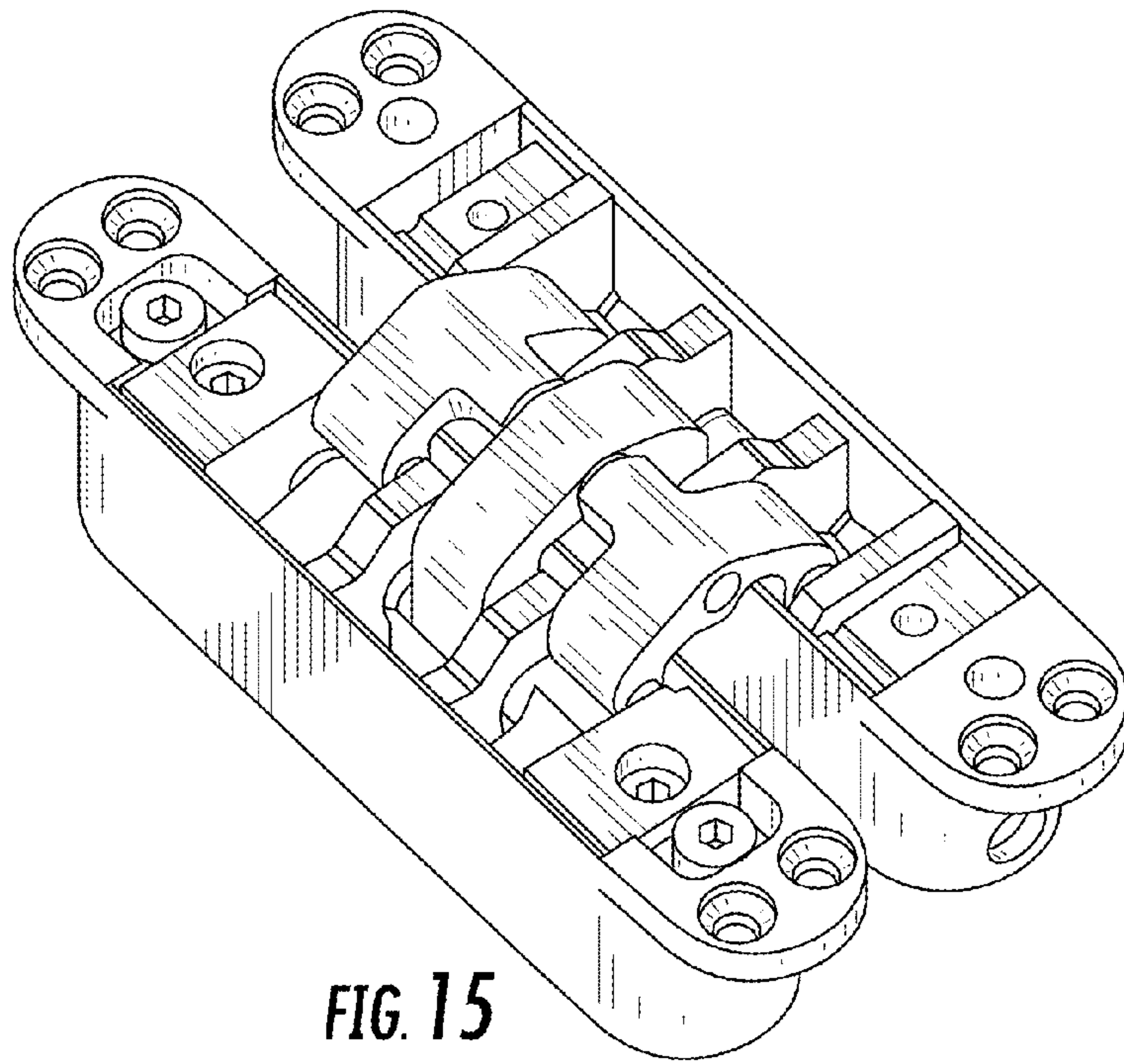


FIG. 15

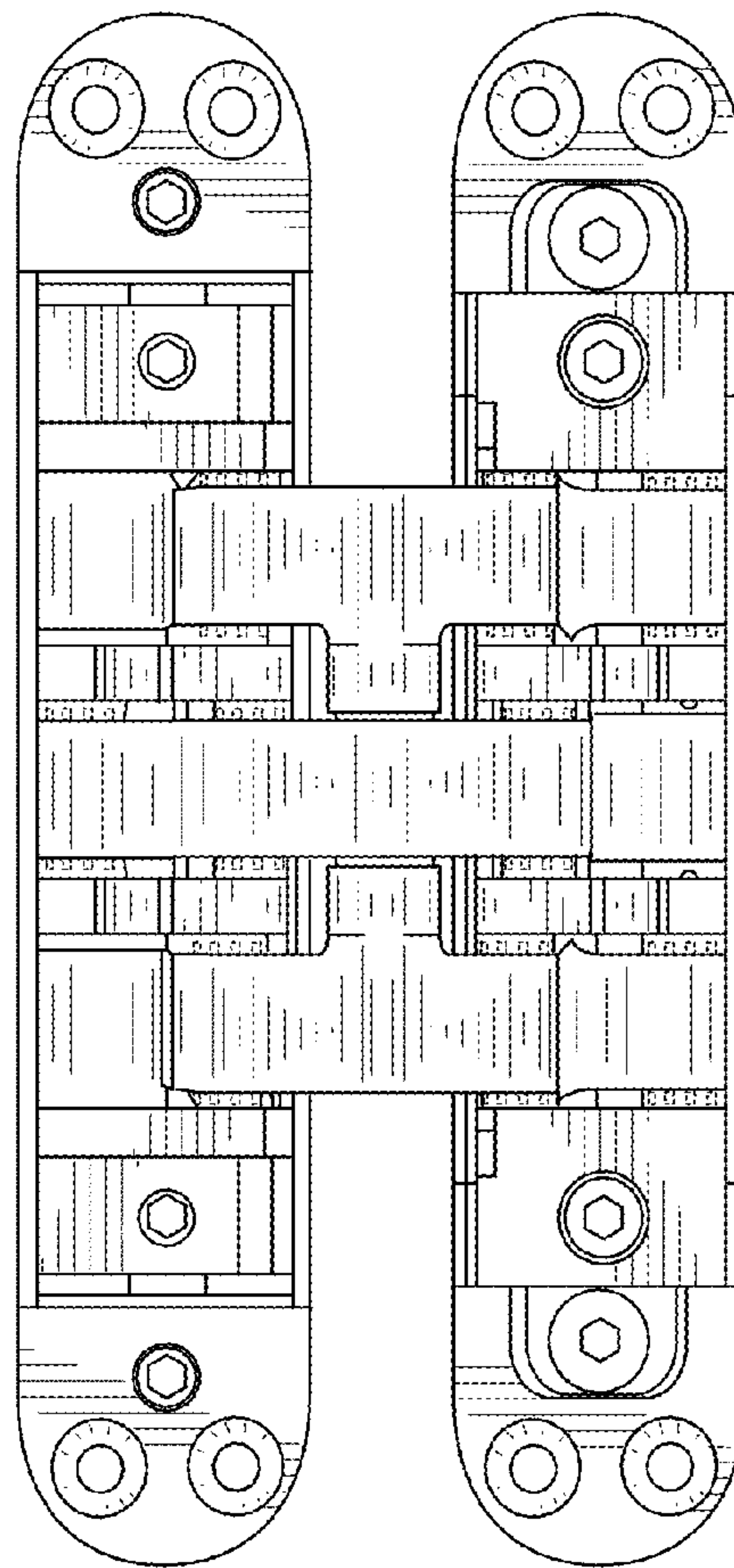


FIG. 16

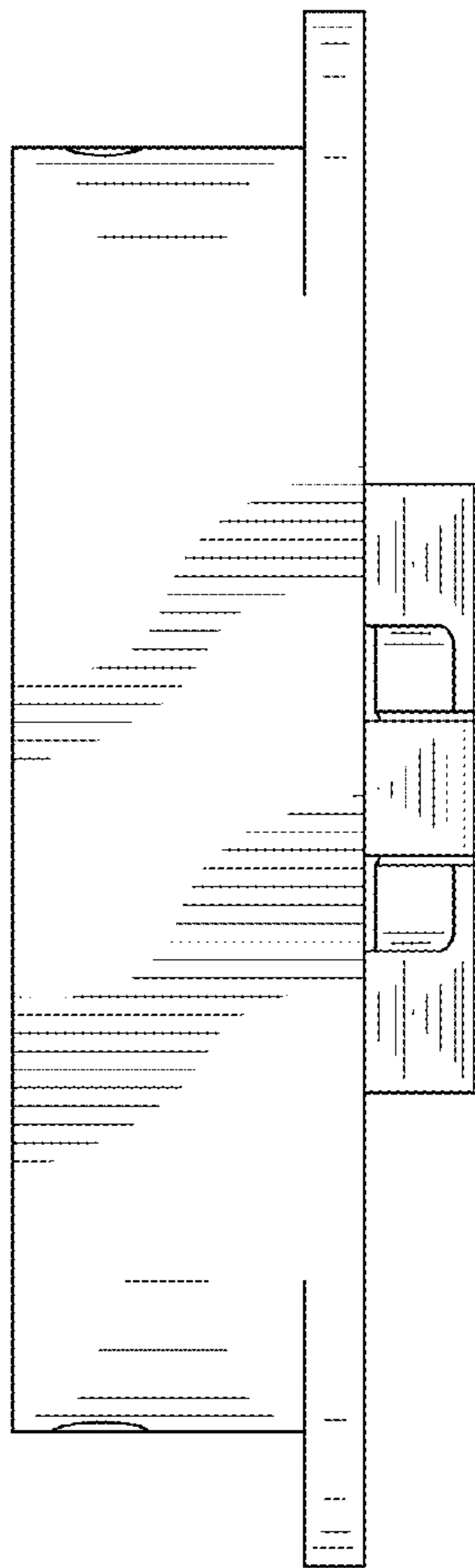


FIG. 17

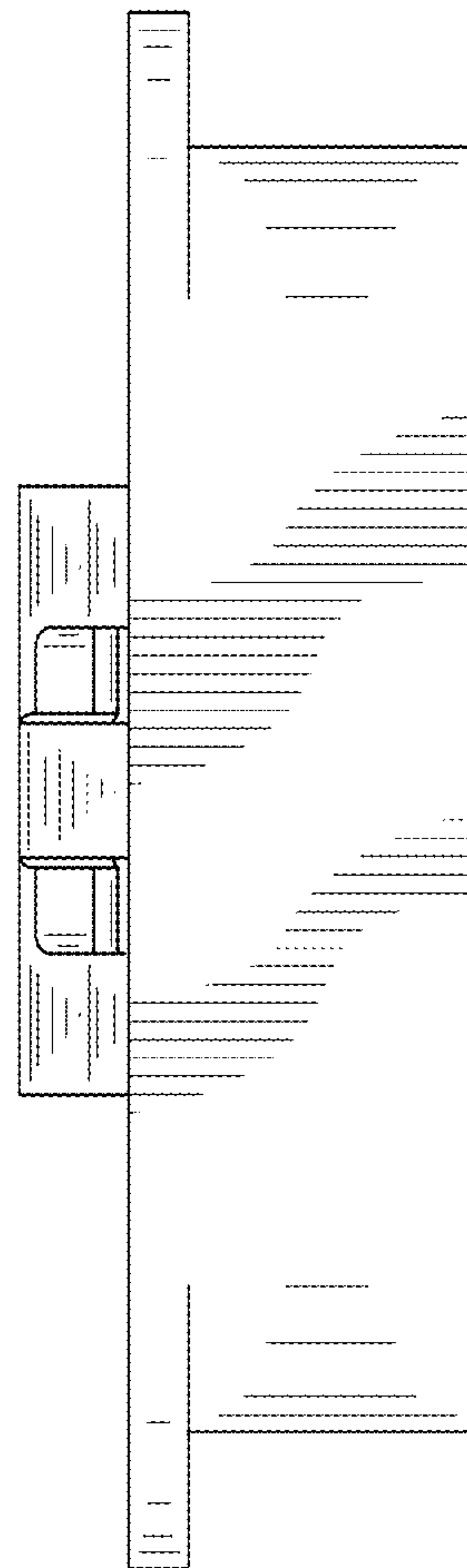


FIG. 18

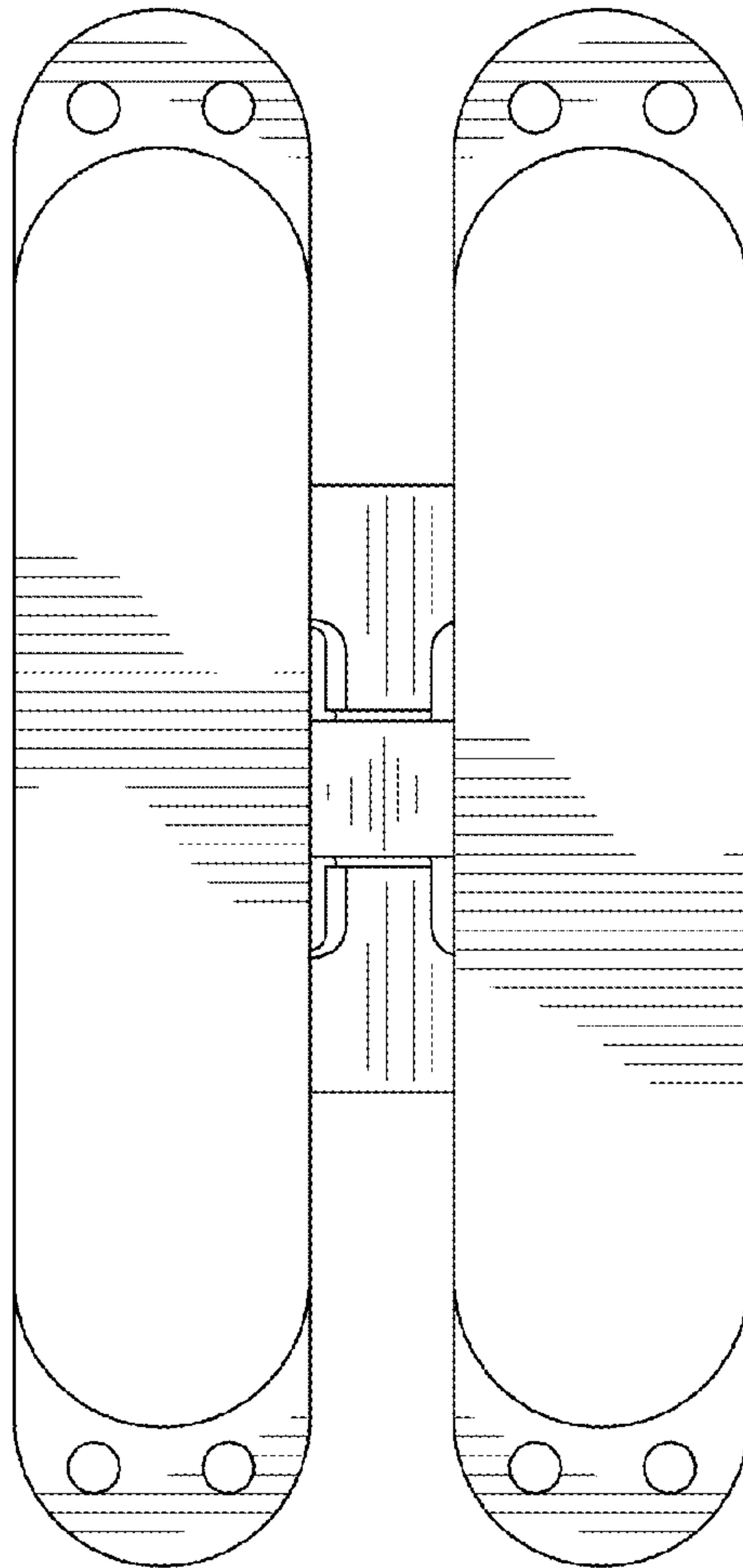


FIG. 19

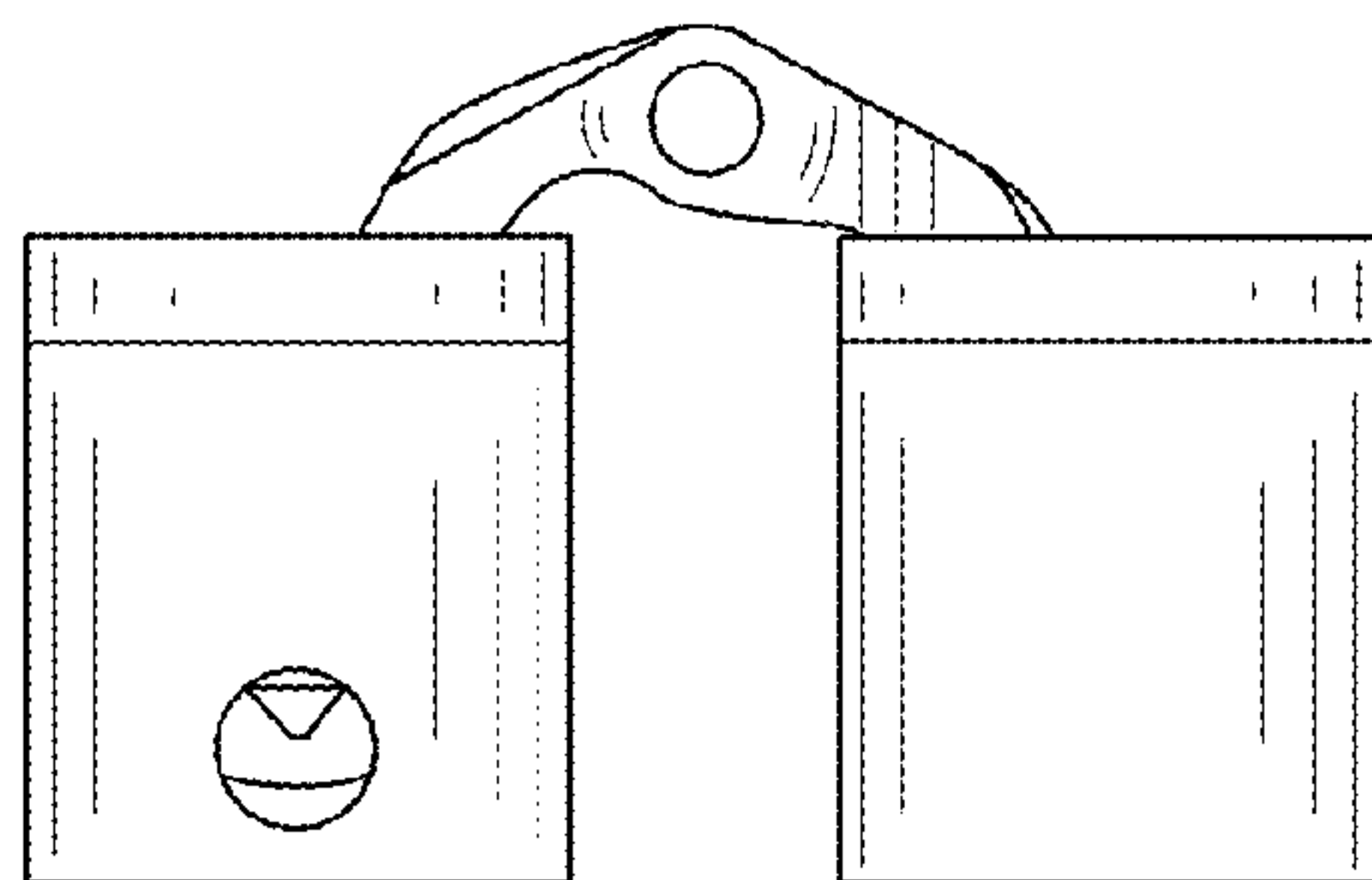


FIG. 20

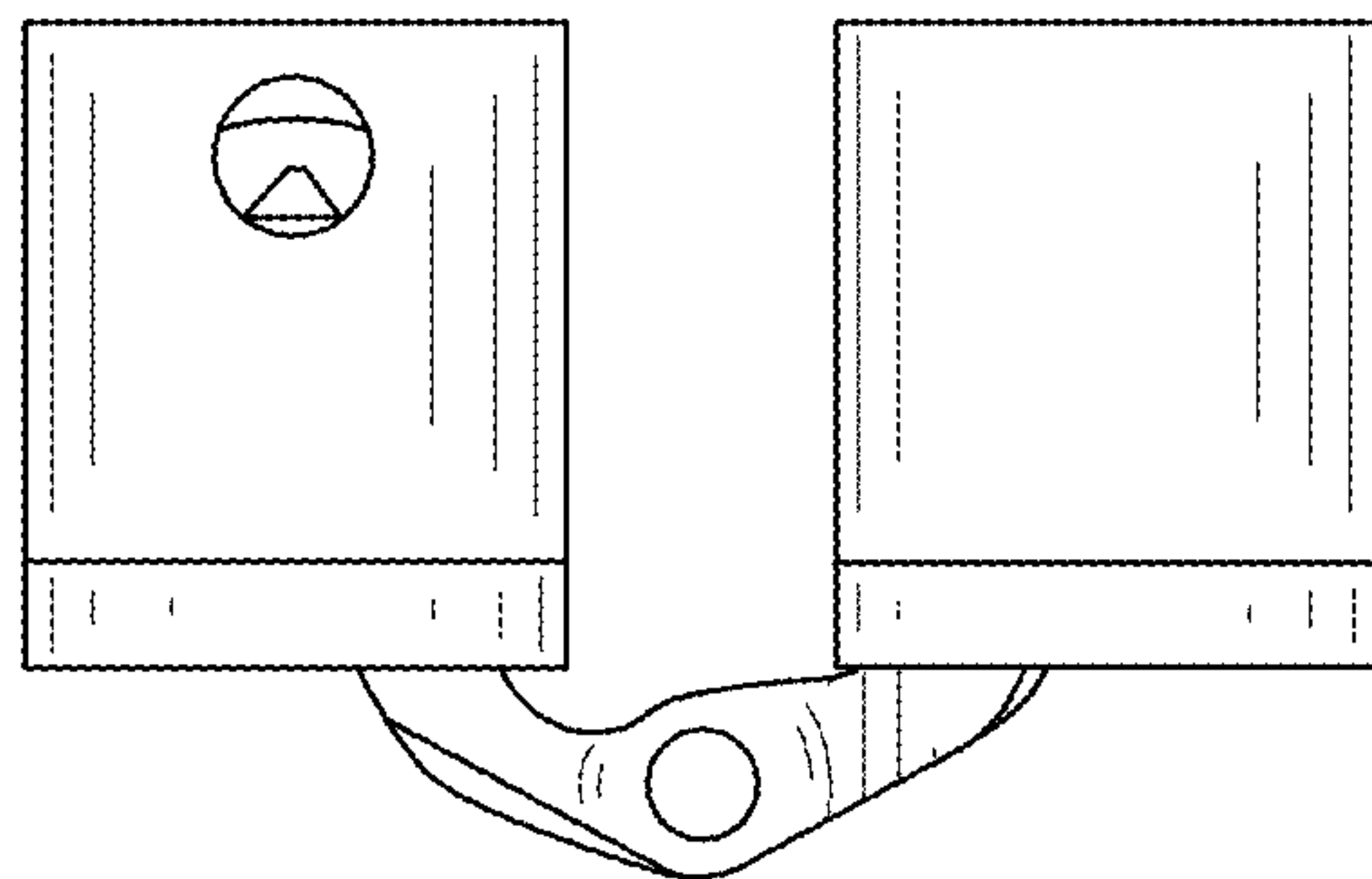


FIG. 21