



US00D745361S

(12) **United States Design Patent**
Glasband et al.

(10) **Patent No.:** **US D745,361 S**

(45) **Date of Patent:** **** Dec. 15, 2015**

(54) **CRANK**

E05B 85/10; E05B 7/00; E05B 1/0053;
E05B 77/265

(71) Applicants: **Debra Sterling Glasband**, San Francisco, CA (US); **Peter Capraro**, San Francisco, CA (US)

See application file for complete search history.

(72) Inventors: **Debra Sterling Glasband**, San Francisco, CA (US); **Peter Capraro**, San Francisco, CA (US)

(56) **References Cited**

U.S. PATENT DOCUMENTS

(73) Assignee: **GoldieBlox, Inc.**, Oakland, CA (US)

(**) Term: **14 Years**

D85,977	S	*	1/1932	Carlson	D8/309
D129,919	S	*	10/1941	Floraday	D8/309
D163,694	S	*	6/1951	Haviland	D8/309
2,978,927	A	*	4/1961	Blanton	74/545
4,161,891	A	*	7/1979	Bossert	74/548
4,220,054	A	*	9/1980	Kuhlman	74/545
4,827,794	A	*	5/1989	Hummel et al.	74/543
D331,531	S	*	12/1992	Guhl et al.	D8/309
D336,233	S	*	6/1993	Zimmermann	D8/309

(21) Appl. No.: **29/497,641**

* cited by examiner

(22) Filed: **Jul. 25, 2014**

(51) **LOC (10) Cl.** **08-06**

Primary Examiner — Derrick Holland

(52) **U.S. Cl.**

Assistant Examiner — Lauren Calve

USPC **D8/309**

(74) *Attorney, Agent, or Firm* — Christensen O'Connor Johnson Kindness PLLC

(58) **Field of Classification Search**

USPC D8/300–302, 307–309, 310, 311;
D23/250, 252; 292/336.3; 74/523, 543,
74/545, 546, 547; 16/110.1, 412, 413,
16/422, 426, 429

(57) **CLAIM**

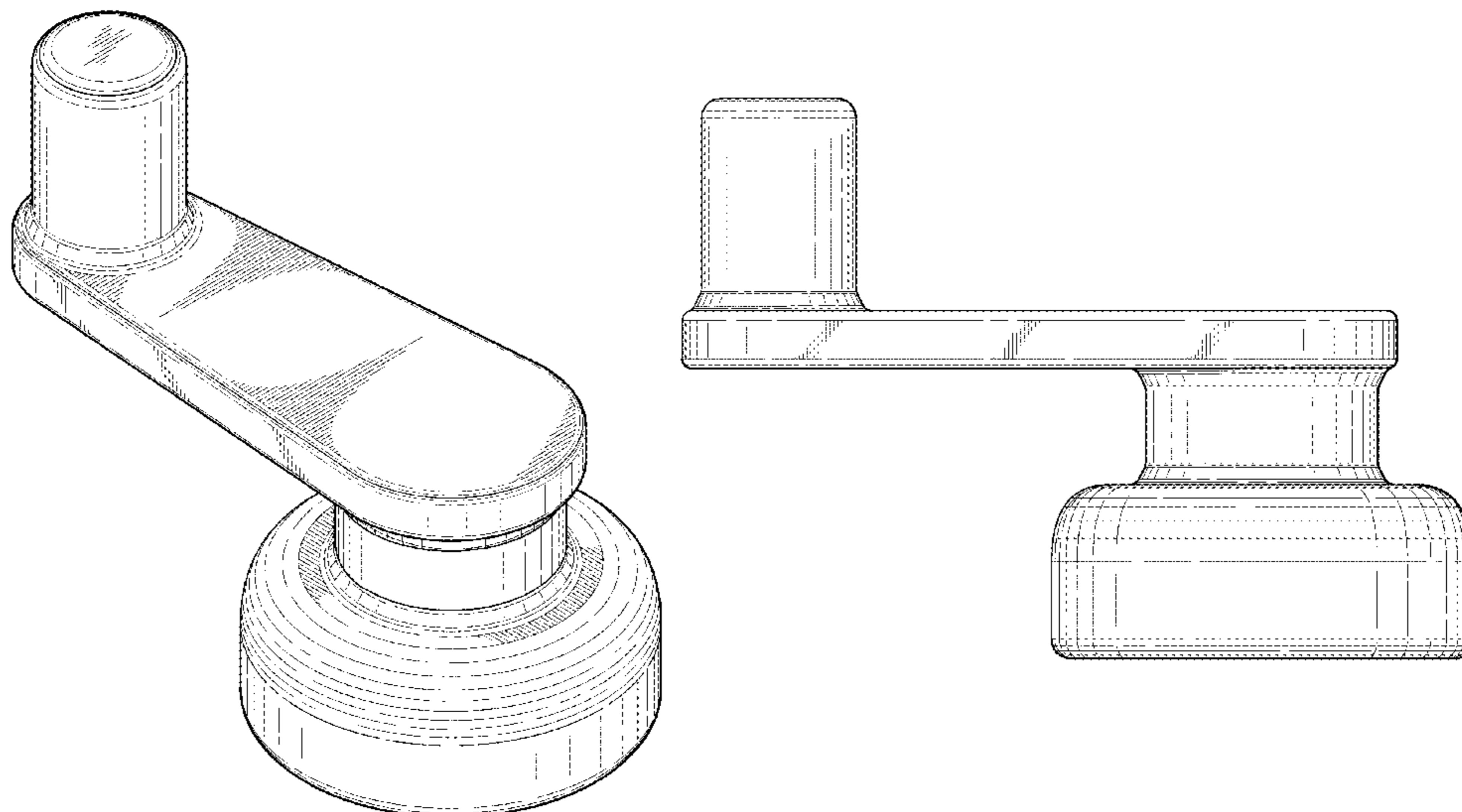
The ornamental design for a crank, as shown and described.

CPC Y10T 16/44; Y10T 74/20612; Y10T
74/20732; Y10T 16/458; Y10T 16/498;
Y10T 16/469; Y10T 16/476; Y10T 4/20744;
Y10T 4/20864; Y10T 16/4628; Y10T
74/20642; Y10T 16/473; Y10T 74/20762;
Y10T 74/2042; Y10T 74/20828; Y10T
16/459; Y10T 16/4713; Y10T 74/2014;
Y10T 16/50; Y10T 74/20438; Y10T
74/20582; Y10T 74/20738; Y10T 16/48;
Y10T 74/20618; Y10T 74/20684; Y10T
74/20624; Y10T 74/20468; Y10T 16/61;
Y10T 16/4719; Y10T 16/86; Y10S 292/31;
Y10S 292/53; Y10S 16/12; Y10S 292/23;
Y10S 292/27; Y10S 292/30; Y10S 292/63;
E05B 85/16; E05B 1/0015; E05B 77/06;
E05B 79/06; E05B 85/18; E05B 85/12;

DESCRIPTION

FIG. 1 is a top-front isometric view of a crank according to our design;
FIG. 2 is a bottom-rear isometric view of the crank of FIG. 1;
FIG. 3 is a top view of the crank of FIG. 1;
FIG. 4 is a bottom view of the crank of FIG. 1;
FIG. 5 is a side view of the crank of FIG. 1;
FIG. 6 is a front view of the crank of FIG. 1; and,
FIG. 7 is a rear view of the crank of FIG. 1.
The broken lines shown represent unclaimed subject matter and form no part of the claimed design.

1 Claim, 5 Drawing Sheets



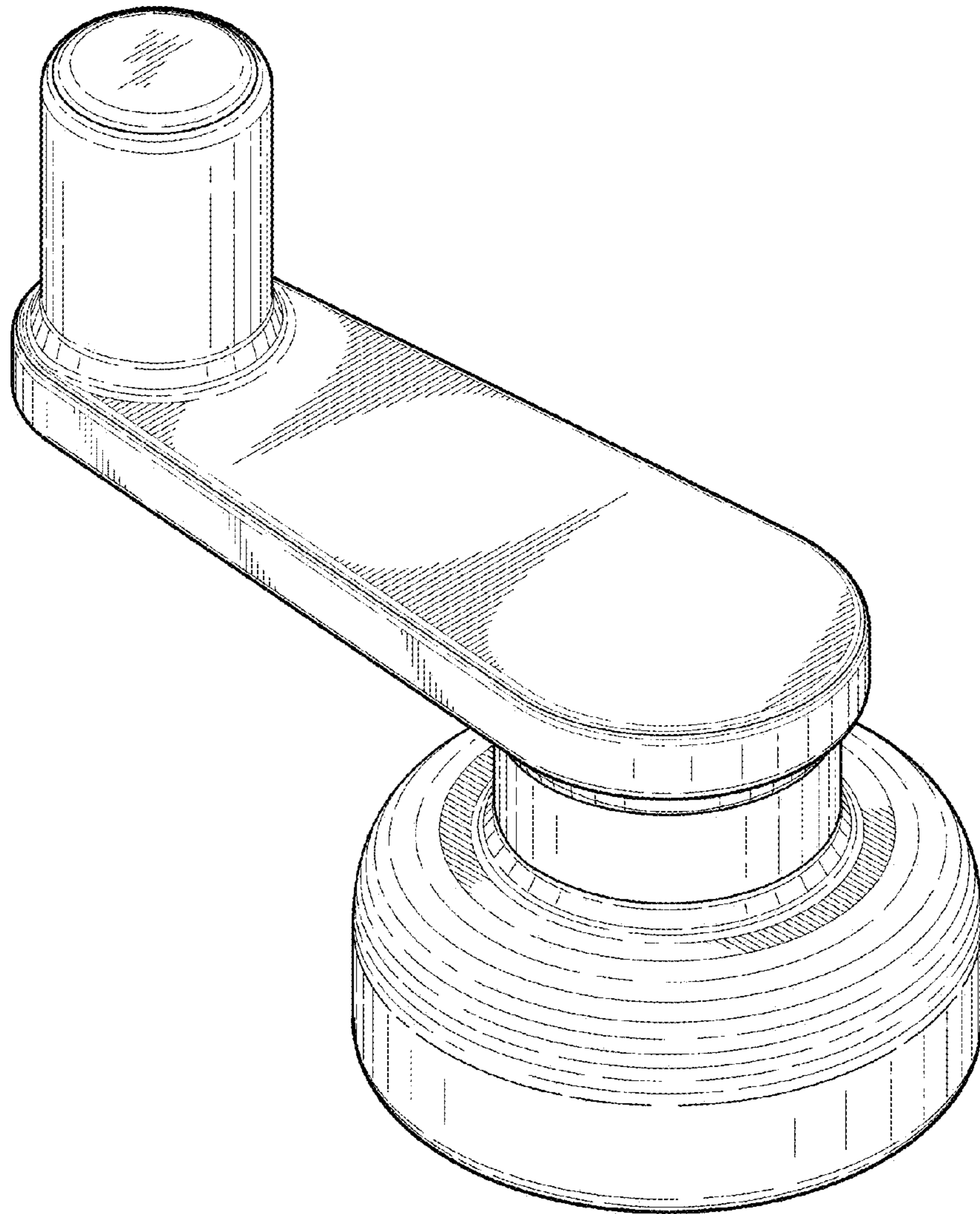


Fig. 1.

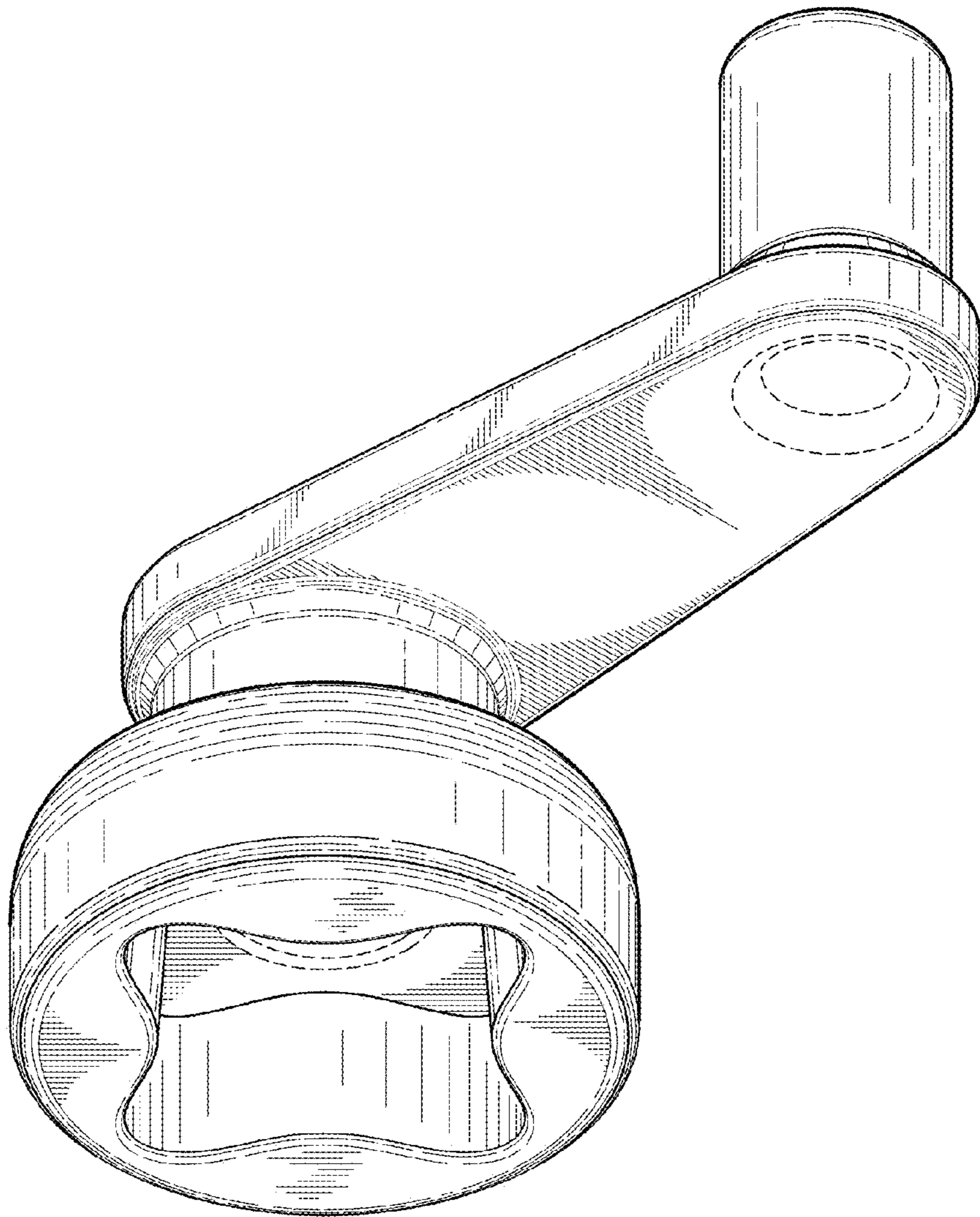


Fig. 2.

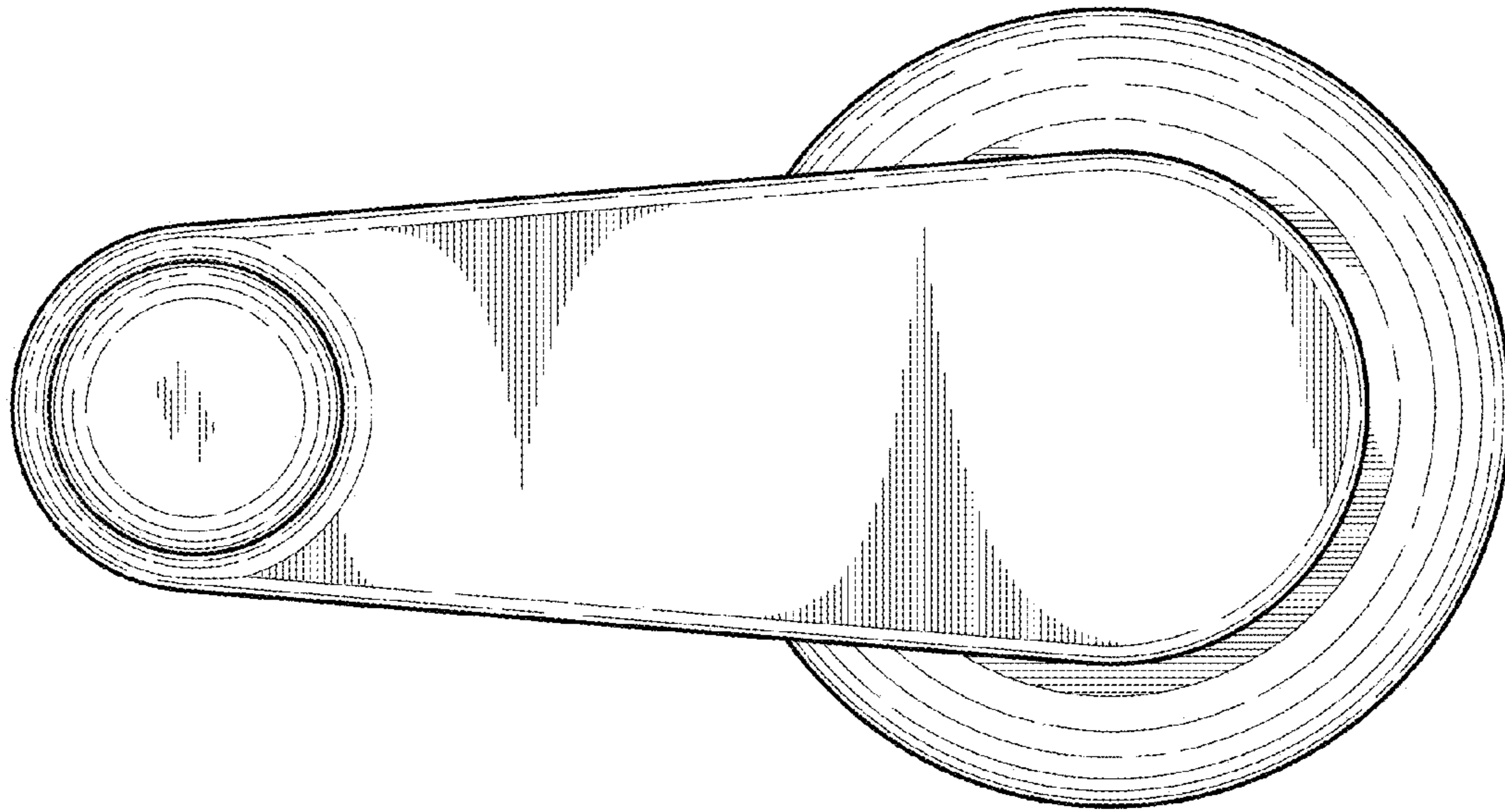


Fig. 3.

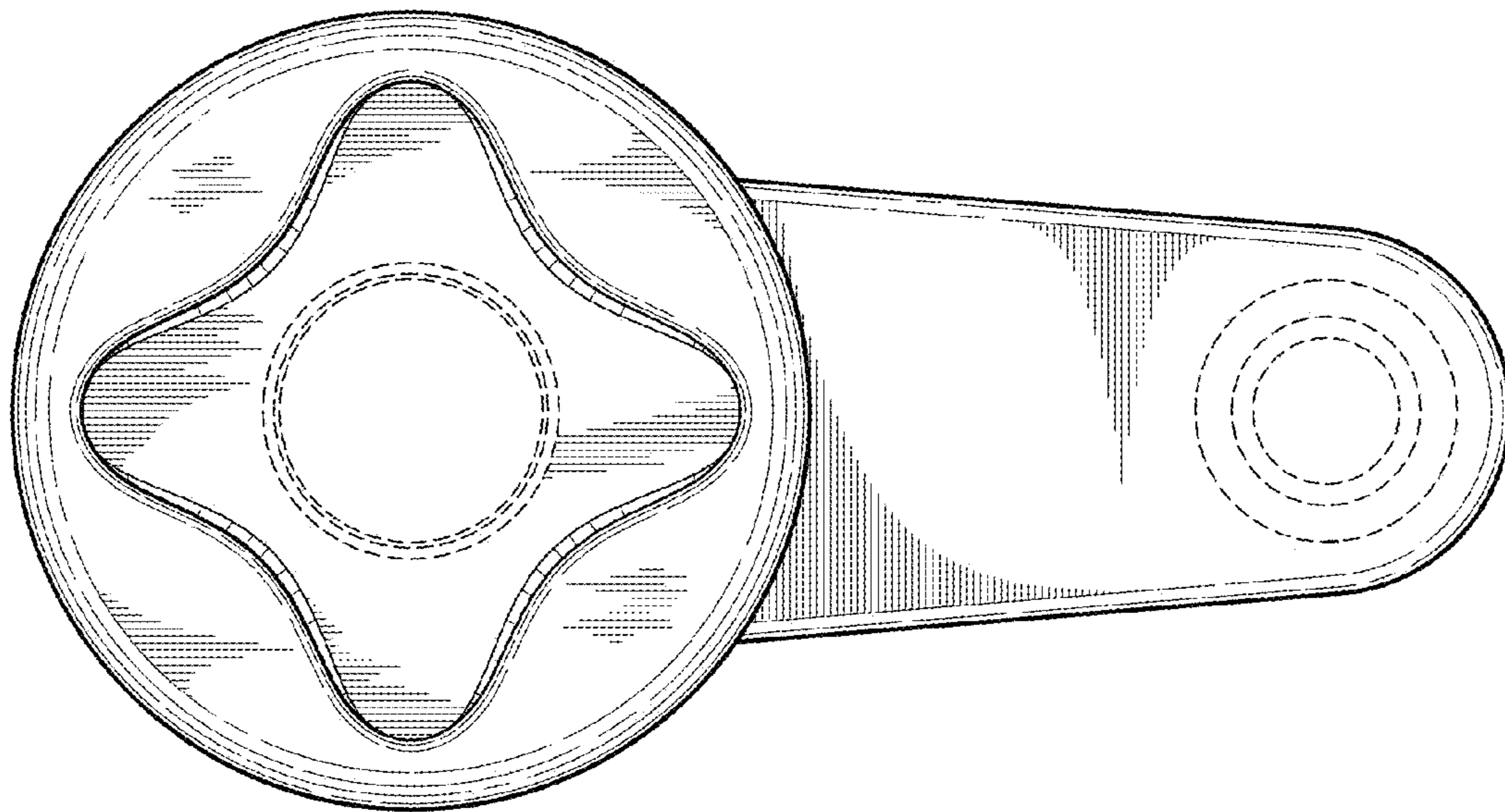


Fig. 4.

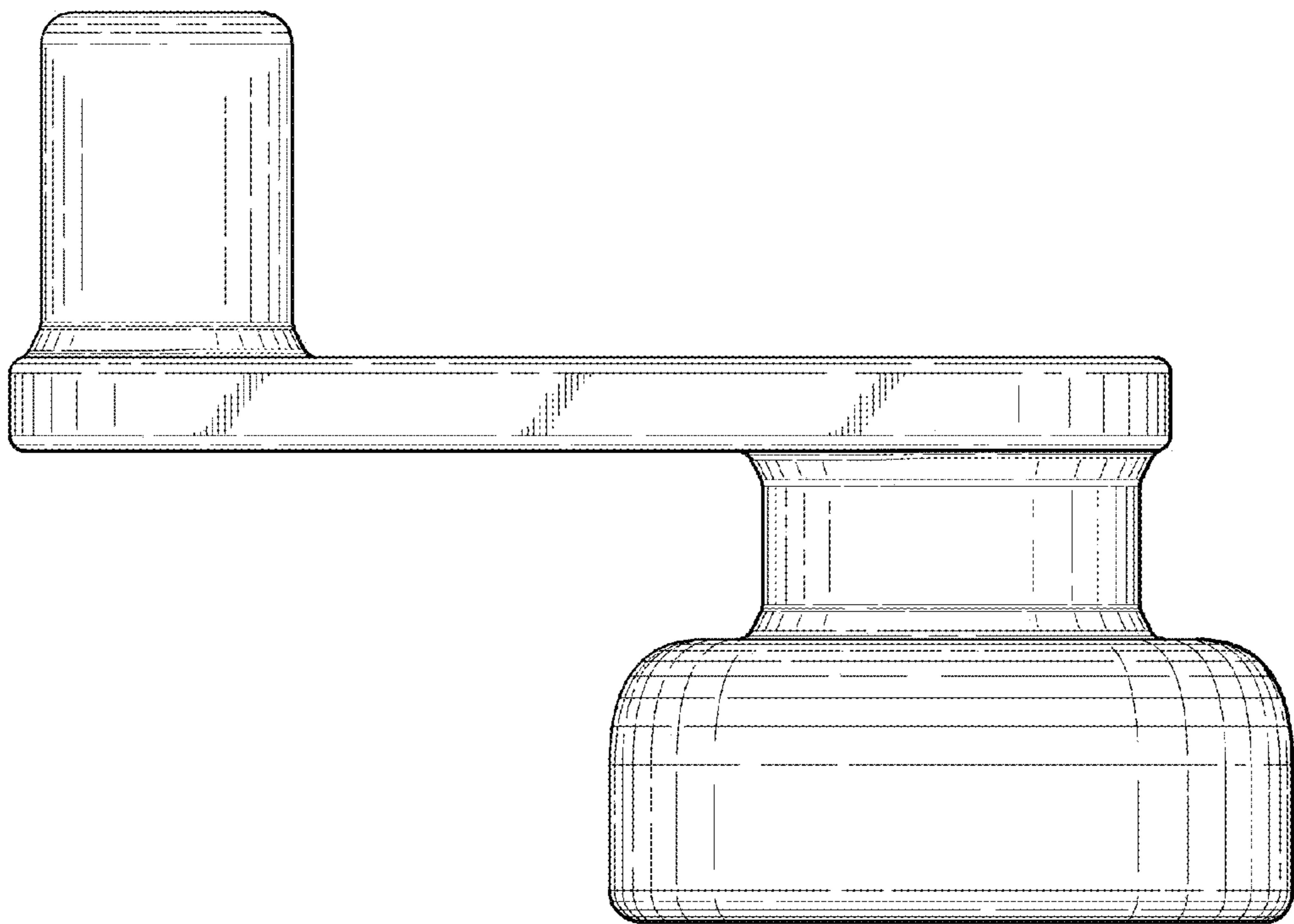


Fig. 5.

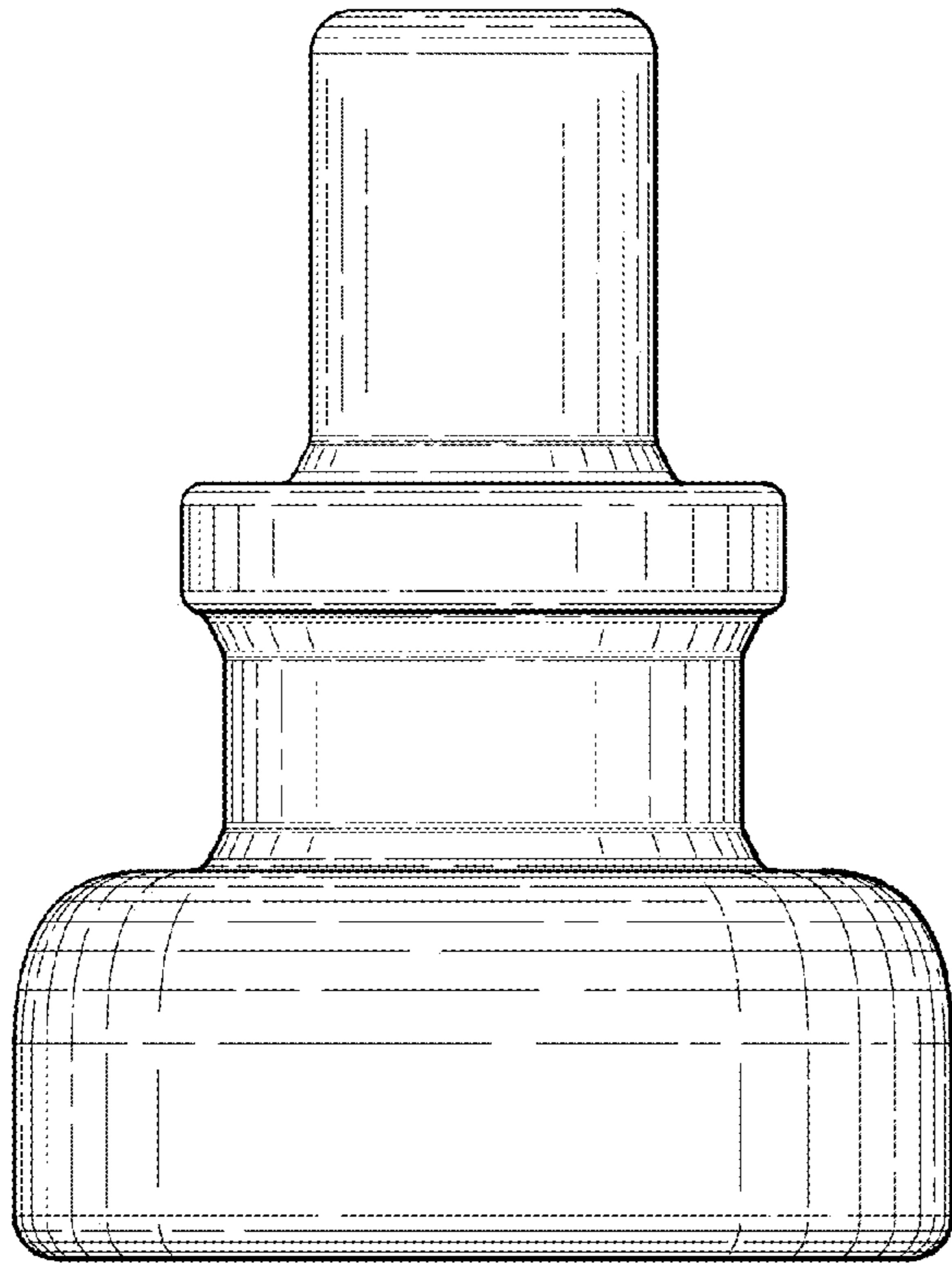


Fig. 6.

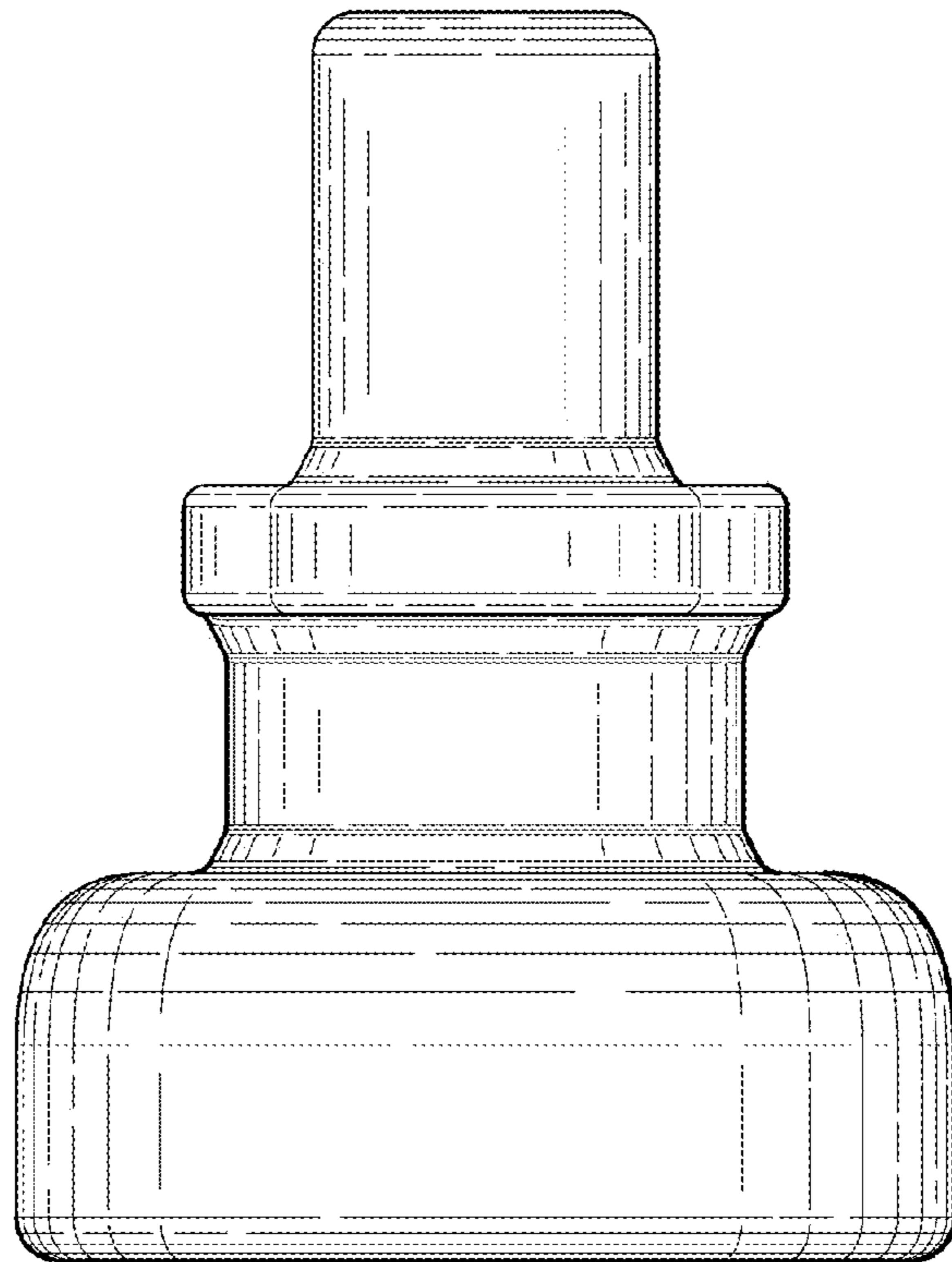


Fig. 7.