



US00D745360S

(12) **United States Design Patent**  
**Sun**

(10) **Patent No.:** **US D745,360 S**

(45) **Date of Patent:** **\*\* Dec. 15, 2015**

(54) **DOOR HANDLE**

(71) Applicant: **Tong Lung Metal Industry Co., Ltd.**,  
Minsyong Township (TW)

(72) Inventor: **Feng-Pang Sun**, Chiayi (TW)

(73) Assignee: **Tong Lung Metal Industry Co., Ltd.**,  
Minsyong Township (TW)

(\*\*) Term: **14 Years**

(21) Appl. No.: **29/506,970**

(22) Filed: **Oct. 22, 2014**

(30) **Foreign Application Priority Data**

Apr. 25, 2014 (TW) ..... 103302415

(51) **LOC (10) Cl.** ..... **08-06**

(52) **U.S. Cl.**  
USPC ..... **D8/308**

(58) **Field of Classification Search**

USPC ..... D8/300–302, 307–309, 310, 311,  
D8/DIG. 10; D23/250, 252; 292/336.3;  
74/523, 543; 70/192, 201, 206, 207;  
16/110.1, 412, 416, DIG. 30  
CPC ..... Y10T 16/44; Y10T 74/20612; Y10T  
74/20732; Y10T 16/458; Y10T 16/498;  
Y10T 16/469; Y10T 16/476; Y10T 74/20744;  
Y10T 74/20864; Y10T 16/4628; Y10T  
74/20642; Y10T 16/473; Y10T 74/20762;  
Y10T 74/2042; Y10T 74/20828; Y10T  
16/459; Y10T 16/4713; Y10T 74/2014;  
Y10T 16/50; Y10T 74/20438; Y10T  
74/20582; Y10T 74/20738; Y10T 16/48;  
Y10T 74/20618; Y10T 74/20684; Y10T  
74/20624; Y10T 74/20468; Y10T 16/61;  
Y10T 16/4719; Y10T 16/86; Y10S 16/30;  
Y10S 292/31; Y10S 292/53; Y10S 16/12;  
Y10S 292/23; Y10S 292/27; Y10S 292/30;  
Y10S 292/63; E05B 85/16; E05B 1/0015;  
E05B 77/06; E05B 79/06; E05B 85/18;  
E05B 85/12; E05B 85/10; E05B 7/00; E05B  
1/0053; E05B 77/265

See application file for complete search history.

(56) **References Cited**

U.S. PATENT DOCUMENTS

D114,330 S \* 4/1939 Groen ..... D23/252  
D238,928 S \* 2/1976 Kipp ..... D23/252  
5,364,139 A \* 11/1994 Bergen ..... E05B 13/004  
292/169  
6,536,301 B1 \* 3/2003 Luksch ..... B60N 3/023  
16/408  
D522,102 S \* 5/2006 Fritz ..... D23/252  
D532,279 S \* 11/2006 Bouroullec ..... D8/308  
D549,548 S \* 8/2007 Roberts, III ..... D8/308  
D621,682 S \* 8/2010 Roberts, III ..... D8/308  
D627,440 S \* 11/2010 Sedwick ..... D23/252

(Continued)

OTHER PUBLICATIONS

The Republic of Less, “come in”, Jul. 5, 2010, online, <<https://therepublicofless.wordpress.com/tag/doors/>>.\*

*Primary Examiner* — Derrick Holland

*Assistant Examiner* — Lauren Calve

(74) *Attorney, Agent, or Firm* — Akerman LLP; Peter A. Chiabotti

(57) **CLAIM**

The ornamental design for a door handle, as shown and described.

**DESCRIPTION**

FIG. 1 is a perspective view of a door handle showing my new design;

FIG. 2 is a front elevational view thereof;

FIG. 3 is a left side elevational view thereof;

FIG. 4 is a right side elevational view thereof;

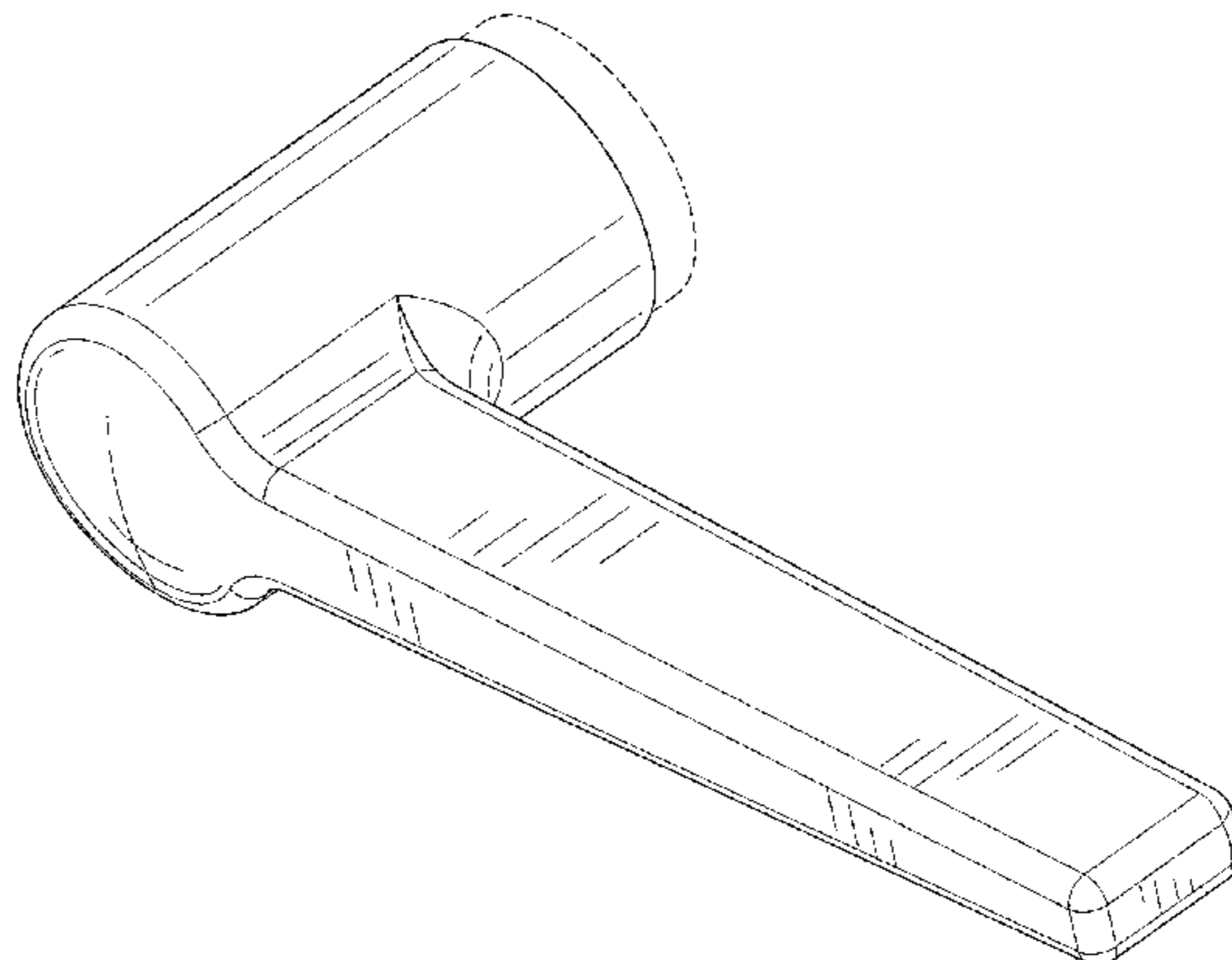
FIG. 5 is a top plan view thereof; and,

FIG. 6 is a bottom plan view thereof.

The rear elevational view is not part of the claimed design and is not shown.

The broken lines shown represent unclaimed subject matter and form no part of the claimed design.

**1 Claim, 5 Drawing Sheets**



# US D745,360 S

Page 2

---

(56)

## References Cited

### U.S. PATENT DOCUMENTS

D734,120 S *	7/2015	Hsu	.....	D8/308	
D734,122 S *	7/2015	Hsu	.....	D8/308	* cited by examiner
D734,123 S *	7/2015	Chen	.....	D8/308	
2003/0033690 A1 *	2/2003	Lin	.....	E05B 1/003	
				16/412	

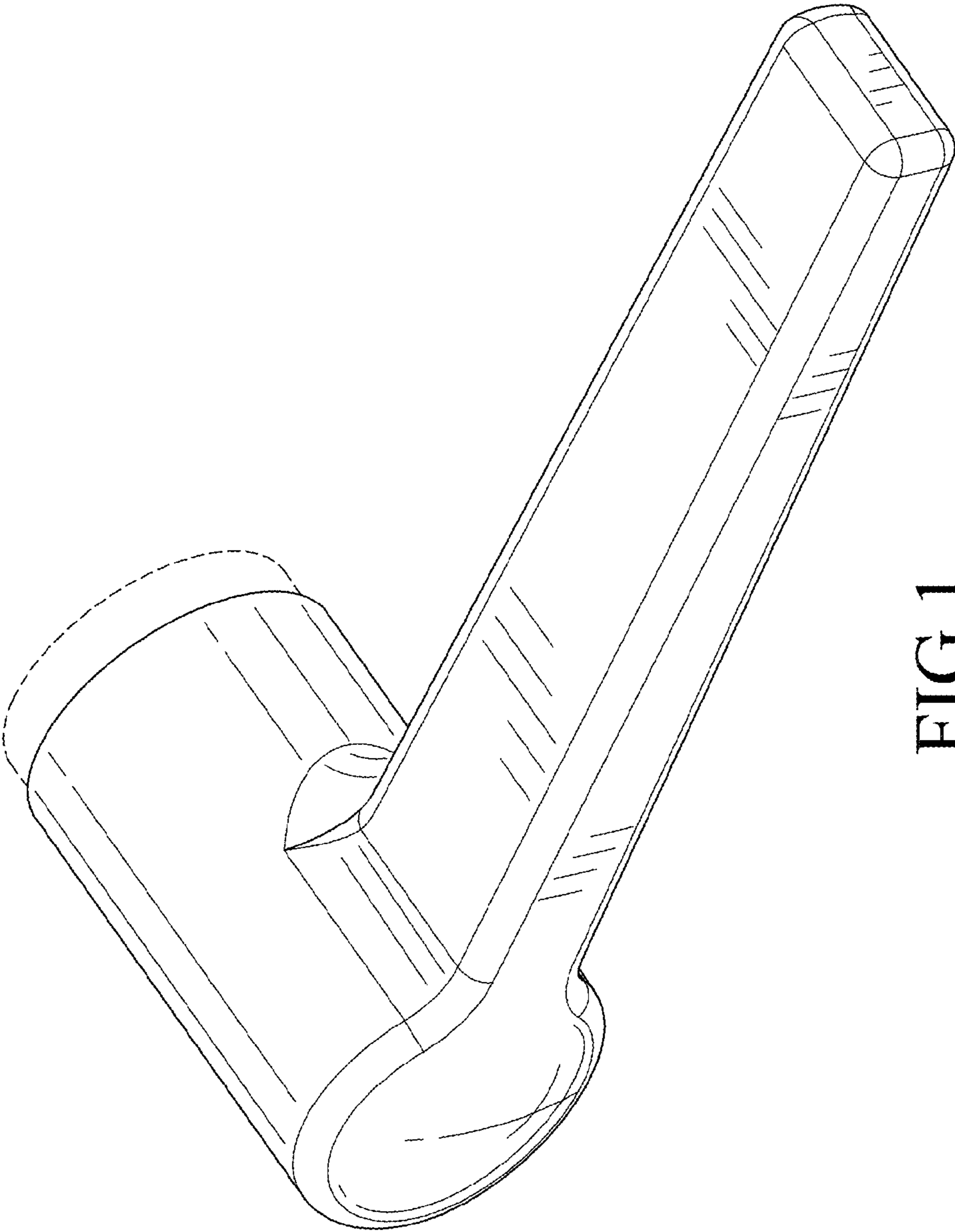


FIG. 1

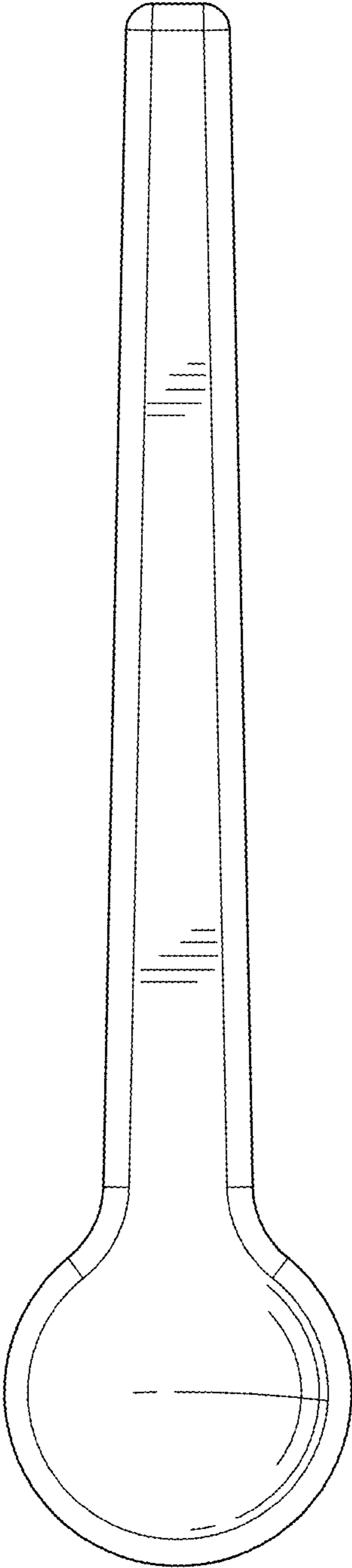


FIG. 2

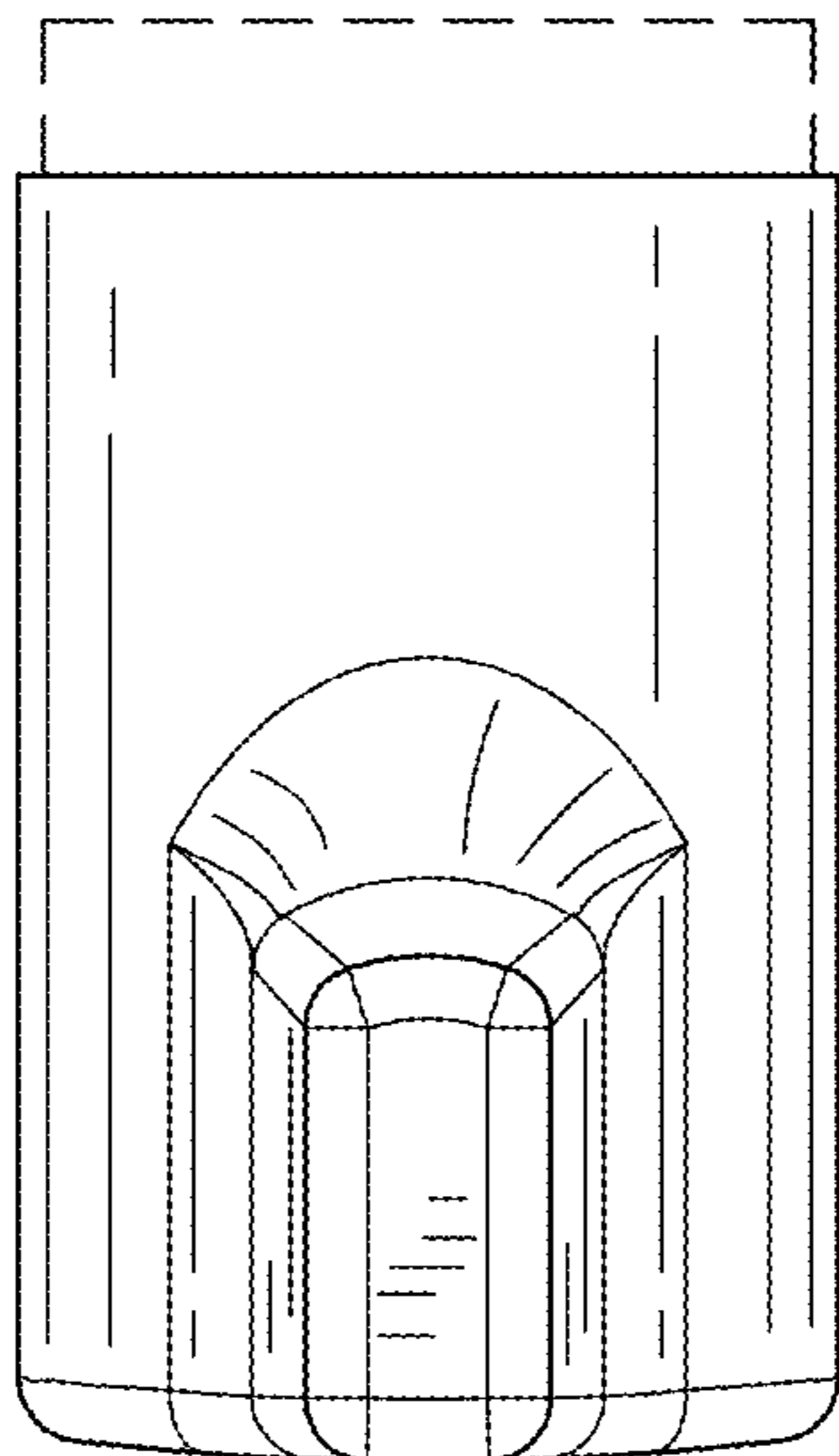


FIG.4

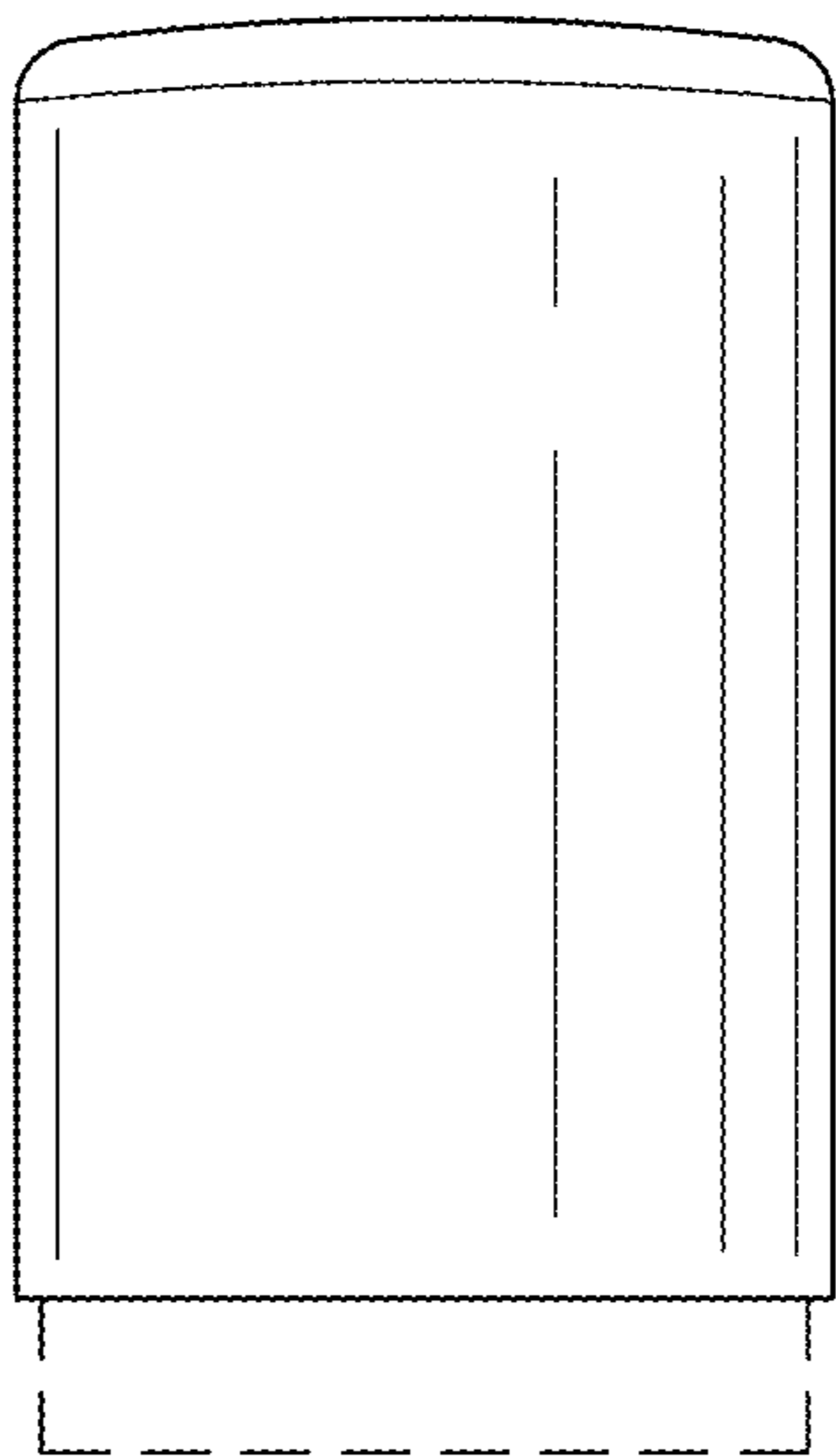


FIG.3

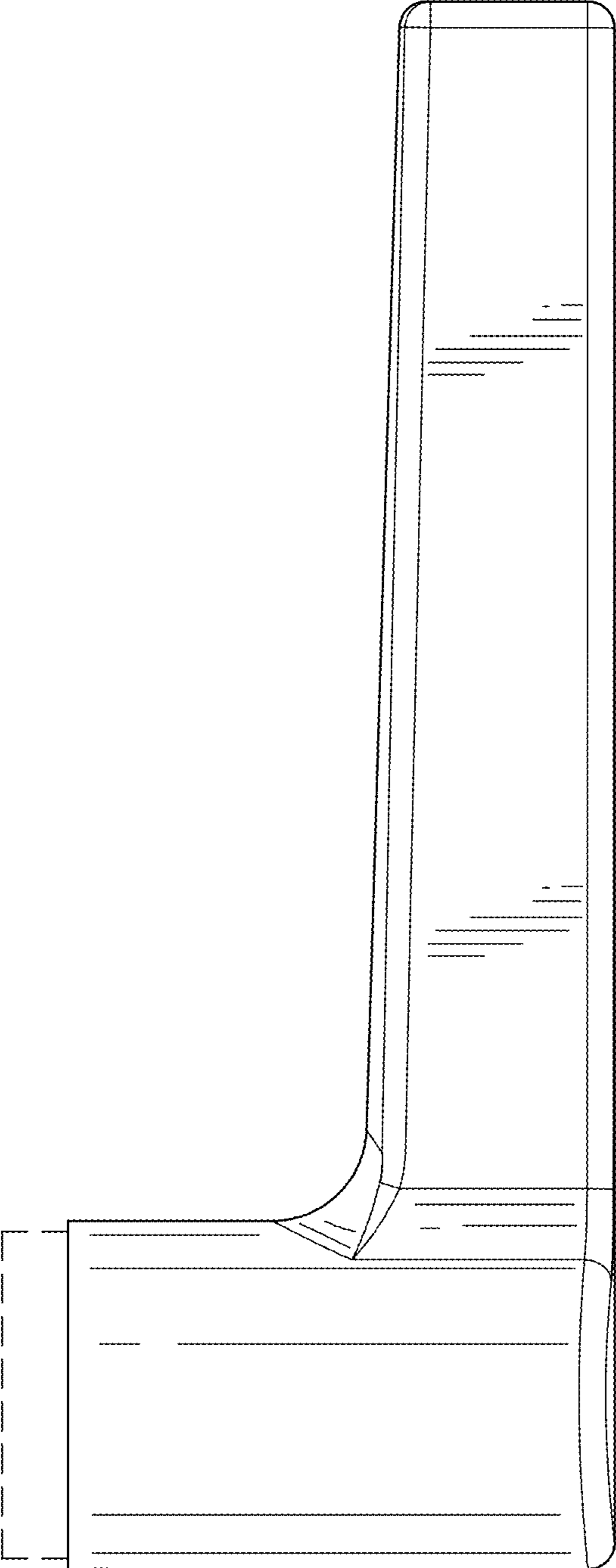


FIG.5

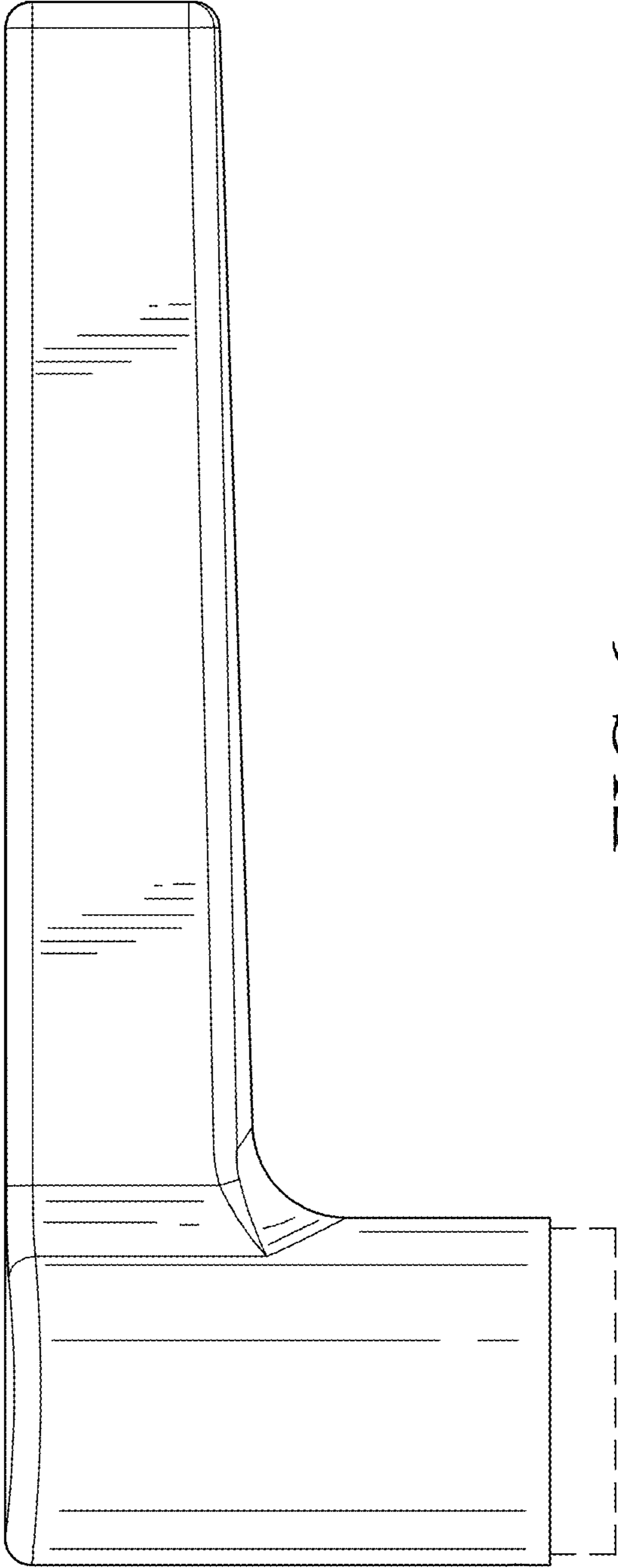


FIG.6