



US00D745358S

(12) **United States Design Patent**  
**Kugimiya et al.**

(10) **Patent No.:** **US D745,358 S**

(45) **Date of Patent:** **\*\* Dec. 15, 2015**

(54) **UTILITY KNIFE**

D549,068 S \* 8/2007 Groten ..... D8/99  
D602,325 S \* 10/2009 van Deursen ..... D8/99  
2005/0050734 A1\* 3/2005 Kesinger ..... 30/162

(71) Applicant: **3M INNOVATIVE PROPERTIES COMPANY**, St. Paul, MN (US)

**FOREIGN PATENT DOCUMENTS**

(72) Inventors: **Michitomo Kugimiya**, Kanagawa (JP);  
**Yasuyuki Daigo**, Tokyo (JP); **Yo Suzuki**,  
Tokyo (JP)

JP D1093220 10/2000  
JP 1125373 11/2001  
JP 1165750 2/2003  
JP 1197808 2/2004  
JP D1209686 4/2004  
JP 2008-229076 10/2008  
JP 2010-264004 11/2010  
JP D1423033 8/2011

(73) Assignee: **3M INNOVATIVE PROPERTIES COMPANY**, St. Paul, MN (US)

(\*\*) Term: **14 Years**

**OTHER PUBLICATIONS**

(21) Appl. No.: **29/492,351**

Monodan, Mar. 31, 1998, p. 16, JPO Reference No. HC10012771.

(22) Filed: **May 30, 2014**

(Continued)

(51) **LOC (10) Cl.** ..... **08-03**

(52) **U.S. Cl.**  
USPC ..... **D8/99**

*Primary Examiner* — Phillip S Hyder  
(74) *Attorney, Agent, or Firm* — Irina Hass

(58) **Field of Classification Search**  
USPC ..... D8/98, 99, 105, 107  
CPC ..... B26B 5/001; B26B 5/003; B26B 11/00;  
B26B 1/08  
See application file for complete search history.

(57) **CLAIM**  
The ornamental design for a utility knife, as shown and described.

(56) **References Cited**

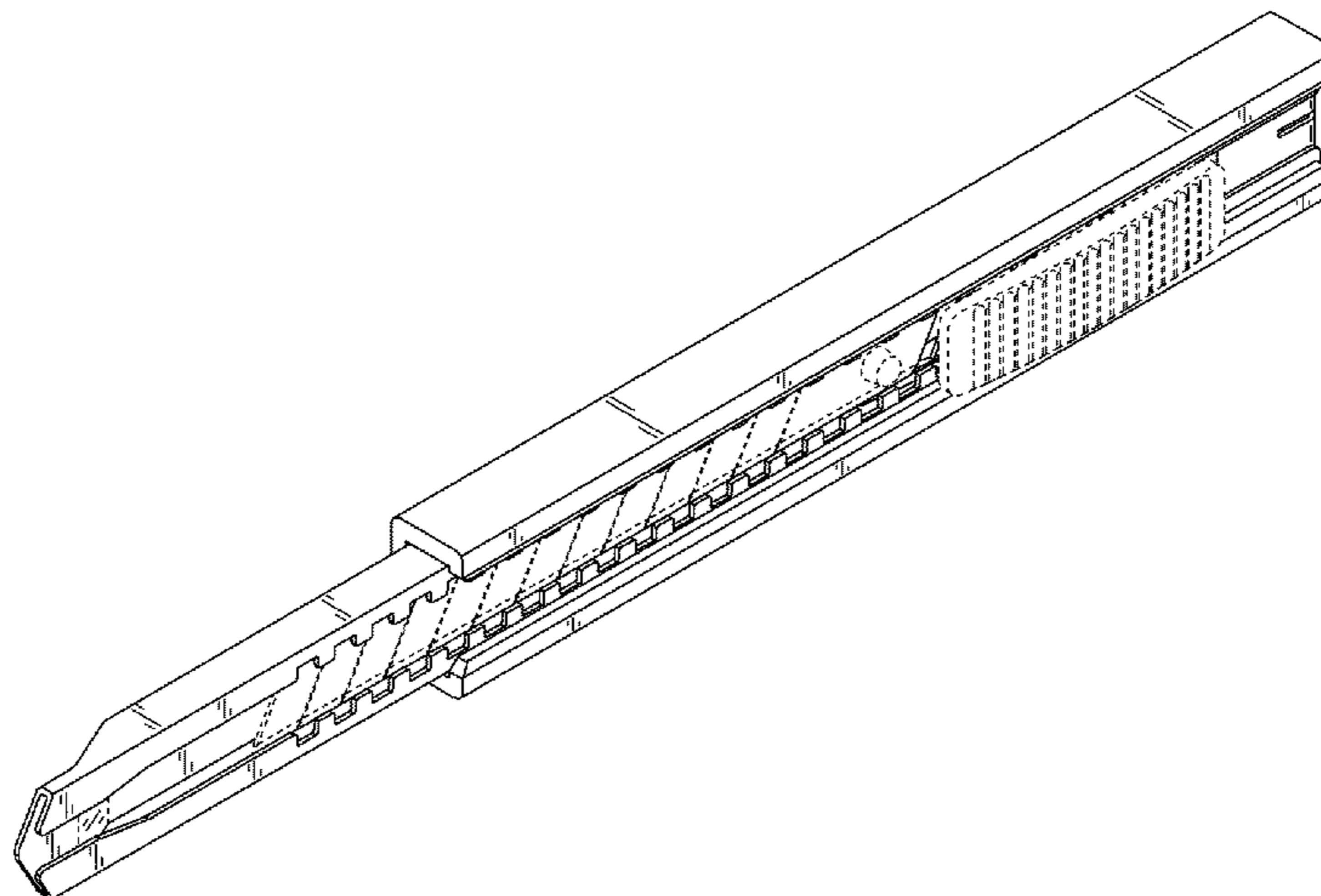
**DESCRIPTION**

**U.S. PATENT DOCUMENTS**

4,103,421 A \* 8/1978 Quenot ..... 30/162  
4,322,885 A \* 4/1982 Osada ..... 30/162  
D264,799 S \* 6/1982 Osada ..... D8/99  
D324,475 S \* 3/1992 Staubitz et al. .... D8/99  
D354,900 S \* 1/1995 Hirai ..... D8/99  
5,502,896 A \* 4/1996 Chen ..... 30/162  
6,006,433 A \* 12/1999 Baltazar ..... 30/162  
D436,825 S \* 1/2001 Chen ..... D8/99  
6,226,873 B1 \* 5/2001 Okumura ..... 30/162  
D443,494 S \* 6/2001 Okada ..... D8/99  
D453,896 S \* 2/2002 Hirai ..... D8/99  
6,510,612 B1 \* 1/2003 Cybulski ..... 30/162  
6,745,474 B1 \* 6/2004 Huang ..... 30/162

FIG. 1 is a front perspective view showing the new design for a utility knife;  
FIG. 2 is a front view thereof;  
FIG. 3 is a rear view thereof;  
FIG. 4 is a top view thereof, the bottom view being a mirror image thereof;  
FIG. 5 is a left side view thereof;  
FIG. 6 is a right side view thereof; and,  
FIG. 7 is a rear perspective view thereof.  
The portions of the utility knife shown in broken lines form no part of the claimed design.

**1 Claim, 3 Drawing Sheets**



(56)

**References Cited**

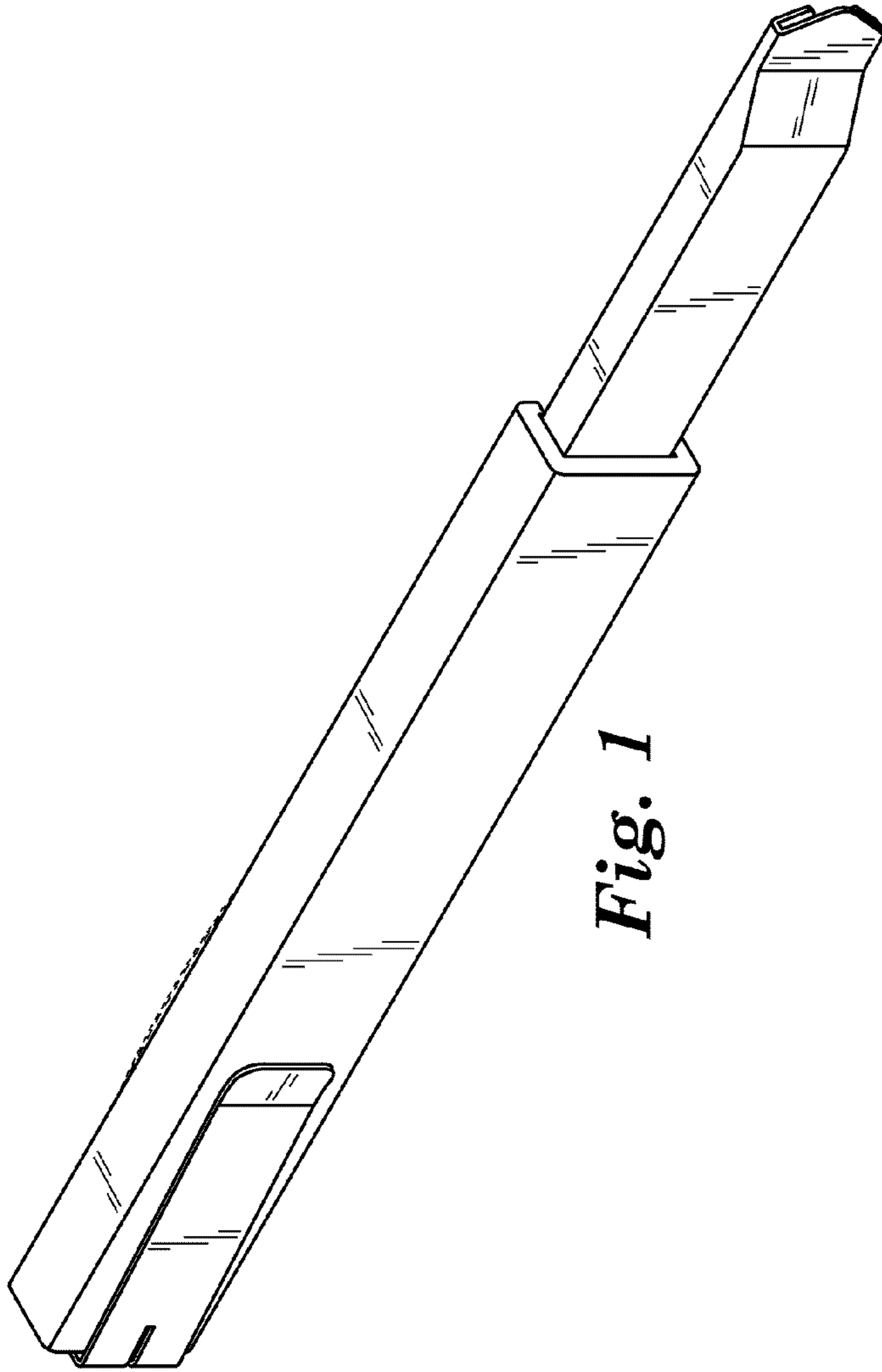
Homemaking Co., Ltd., Homepage, Ltd-03, JPO Reference No.

OTHER PUBLICATIONS

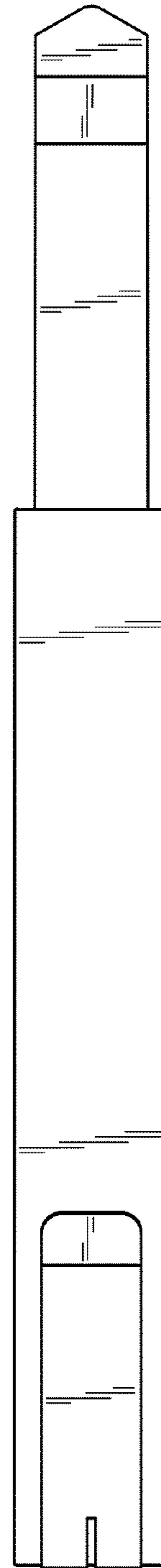
HJ20004549.

General Catalogue of OLFA Corp., p. 8, 117B, JPO Reference No.  
HC14026660.

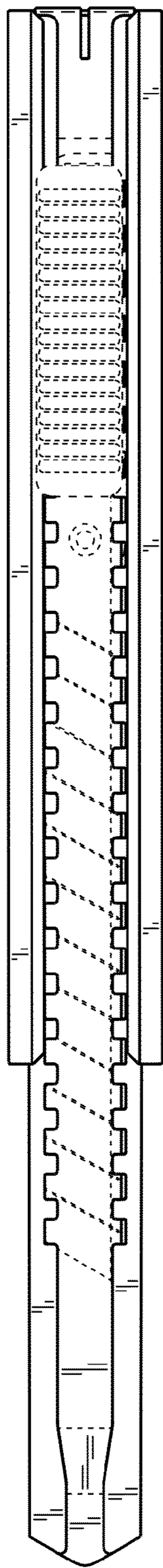
\* cited by examiner



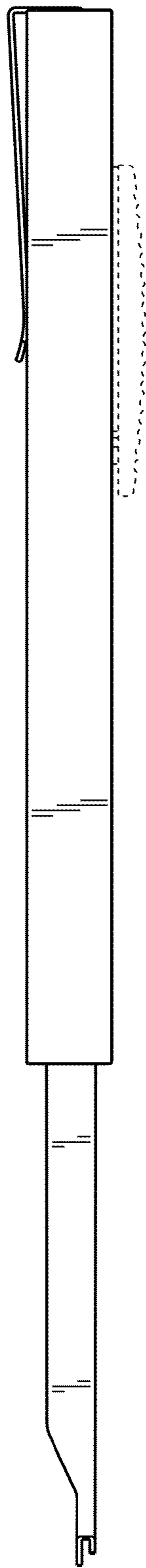
*Fig. 1*



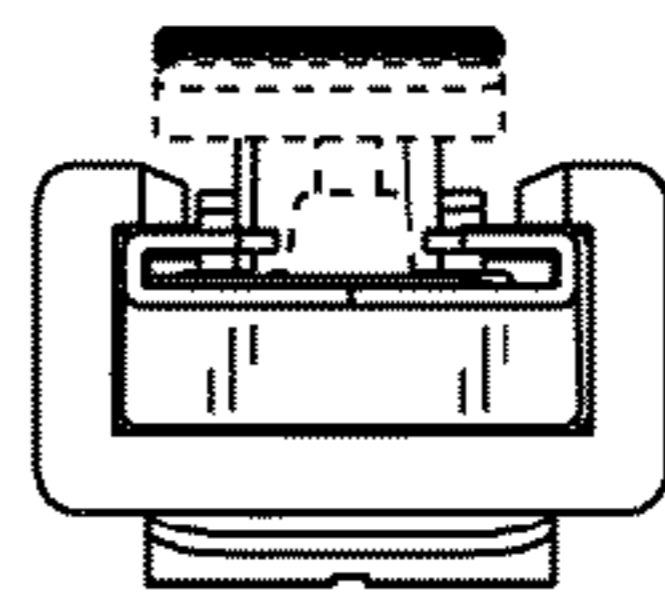
*Fig. 2*



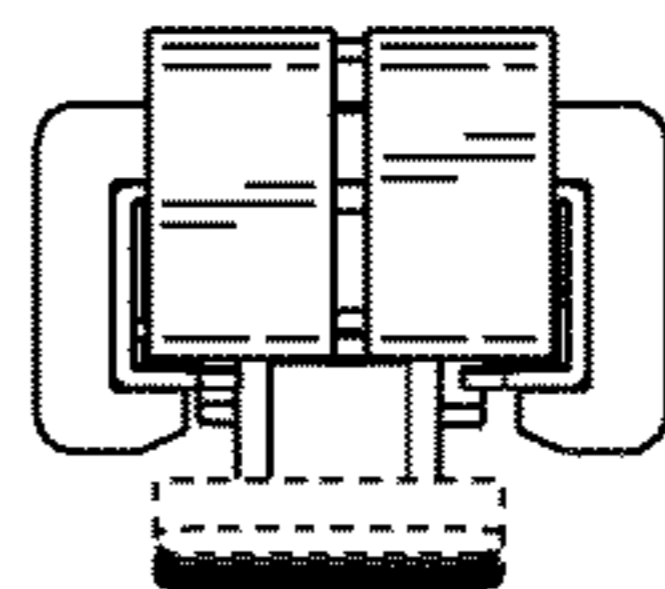
*Fig. 3*



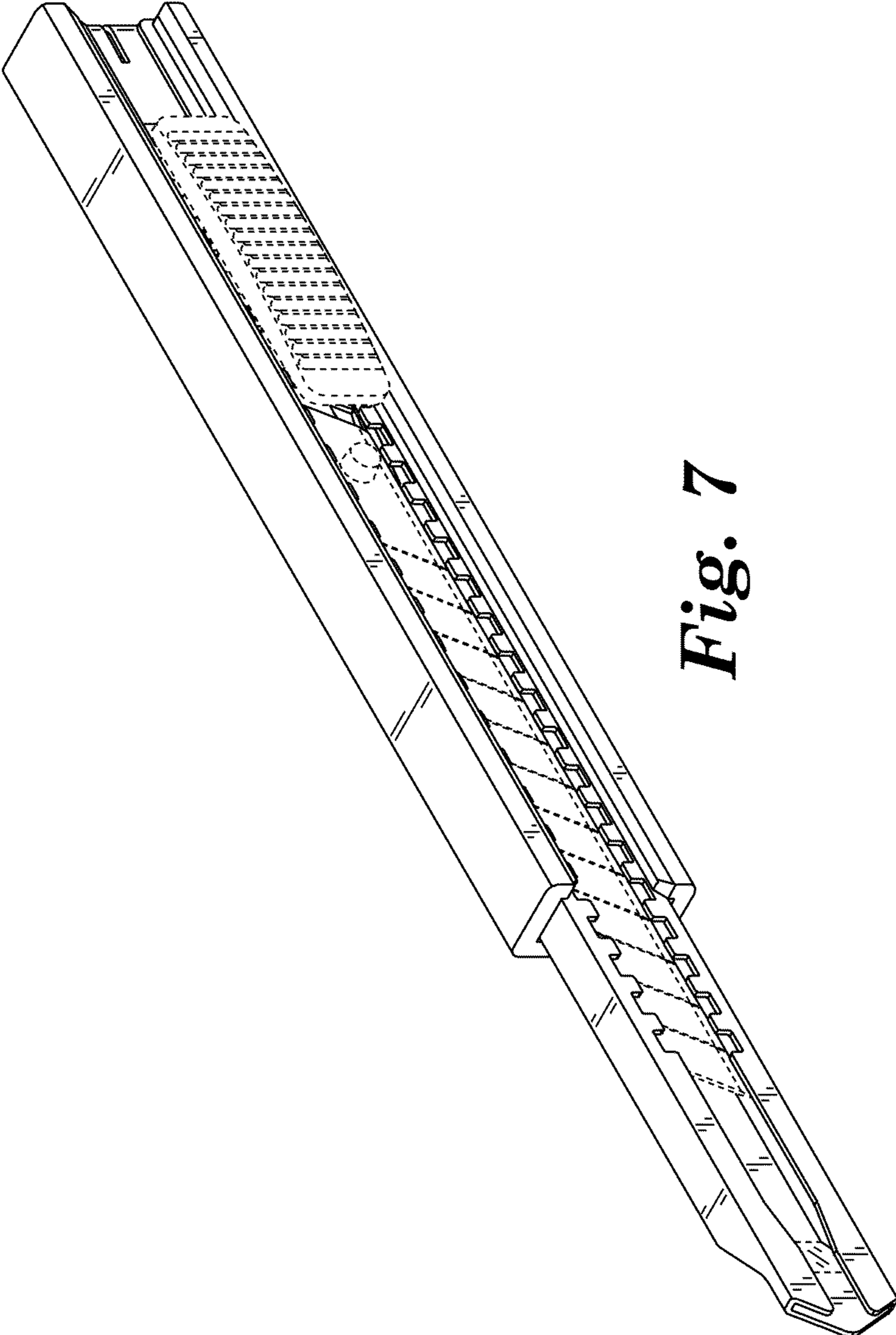
*Fig. 4*



*Fig. 5*



*Fig. 6*



*Fig. 7*