



US00D745346S

(12) **United States Design Patent**  
**Birgl**

(10) **Patent No.:** **US D745,346 S**

(45) **Date of Patent:** **\*\* Dec. 15, 2015**

- (54) **BRAKE TOOL ADAPTER**
- (71) Applicant: **Peter George Birgl**, Kempton, PA (US)
- (72) Inventor: **Peter George Birgl**, Kempton, PA (US)
- (\*\*) Term: **14 Years**
- (21) Appl. No.: **29/494,205**
- (22) Filed: **Jun. 18, 2014**
- (51) **LOC (10) Cl.** ..... **08-05**
- (52) **U.S. Cl.**  
USPC ..... **D8/14**
- (58) **Field of Classification Search**  
USPC ..... D8/14, 17, 88, 89, 349, 354, 371  
CPC ..... B25B 27/306; Y10T 29/53622; Y10T  
29/536648; Y10T 29/49824  
See application file for complete search history.

5,345,664	A *	9/1994	McMahon et al. ....	29/402.08
6,195,823	B1 *	3/2001	Enriquez .....	7/138
D543,834	S *	6/2007	Worthy .....	D8/354
D579,739	S *	11/2008	Barone .....	D8/14
D594,719	S *	6/2009	Birgl .....	D8/14
D668,379	S *	10/2012	Storey .....	D26/138
D729,043	S *	5/2015	Poppell .....	D8/354
D732,911	S *	6/2015	Schiele et al. ....	D8/14
2008/0283702	A1 *	11/2008	Ikerd .....	248/228.1

\* cited by examiner

*Primary Examiner* — Phillip S Hyder

(57) **CLAIM**

The ornamental design for a brake tool adapter, as shown and described.

**DESCRIPTION**

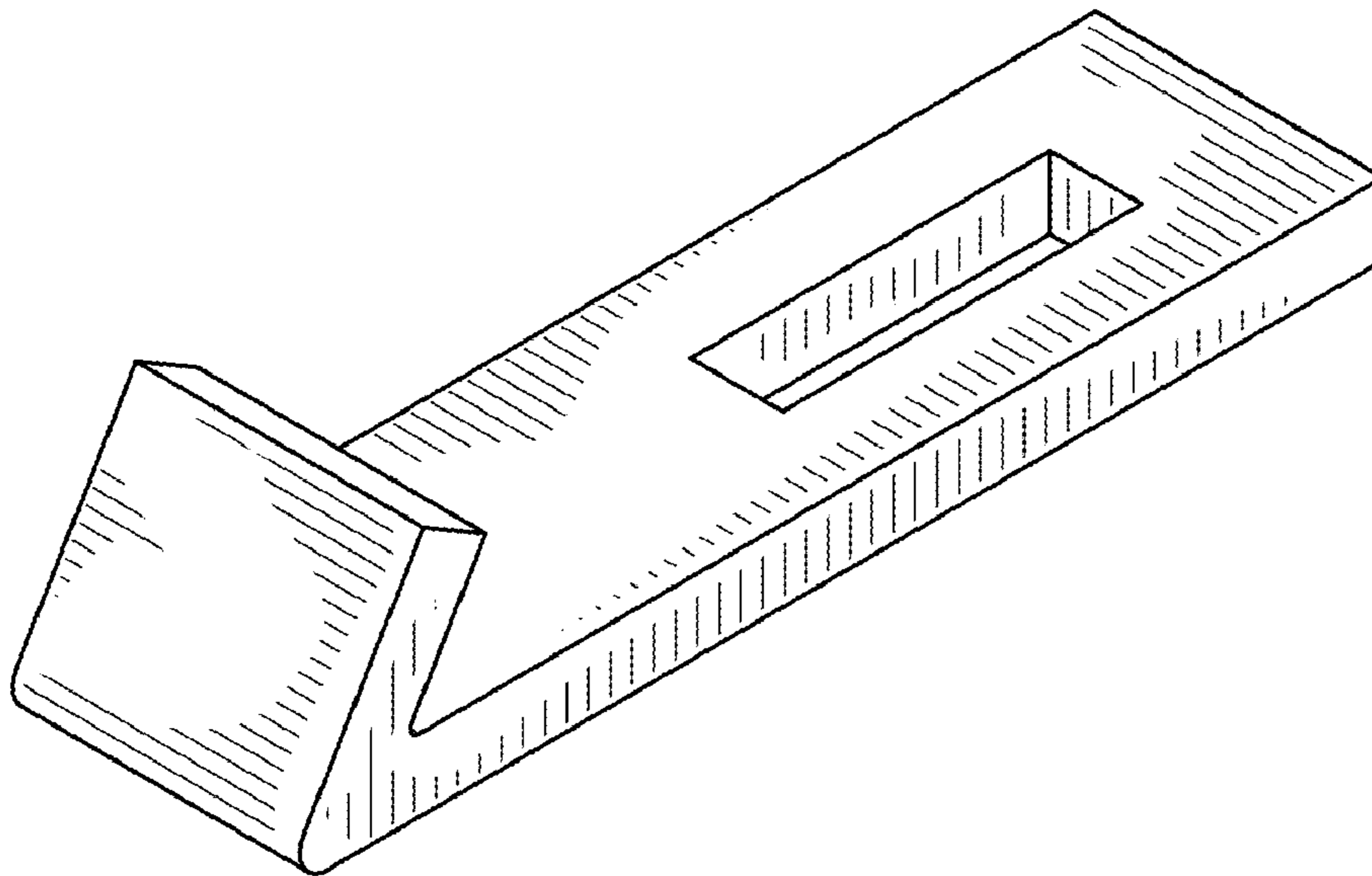
FIG. 1 is a perspective front view of a brake tool adapter; FIG. 2 is a front elevation view of the brake tool adapter; FIG. 3 is a rear elevation view of the brake tool adapter; FIG. 4 is a left side elevation view of the brake tool adapter, the right side elevation view being a mirror image thereof; FIG. 5 is a top plan view of the brake tool adapter; and, FIG. 6 is a bottom plan view of the brake tool adapter.

**1 Claim, 2 Drawing Sheets**

(56) **References Cited**

U.S. PATENT DOCUMENTS

4,278,225	A *	7/1981	Phelps .....	248/311.3
4,334,376	A *	6/1982	Winslow .....	42/90
D300,549	S *	4/1989	Crow .....	D22/108
D347,370	S *	5/1994	Runevitch .....	D8/21



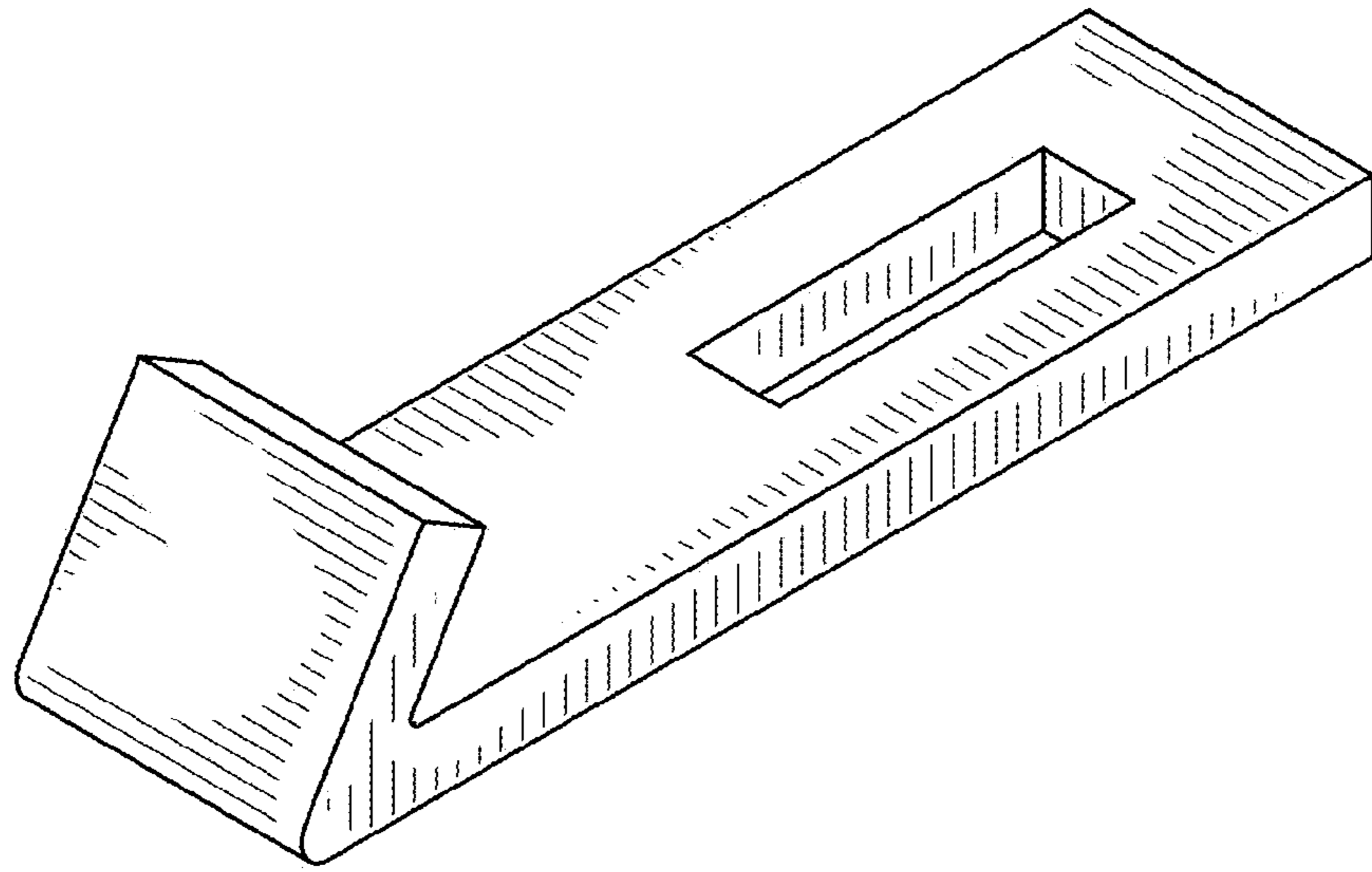


FIG. 1

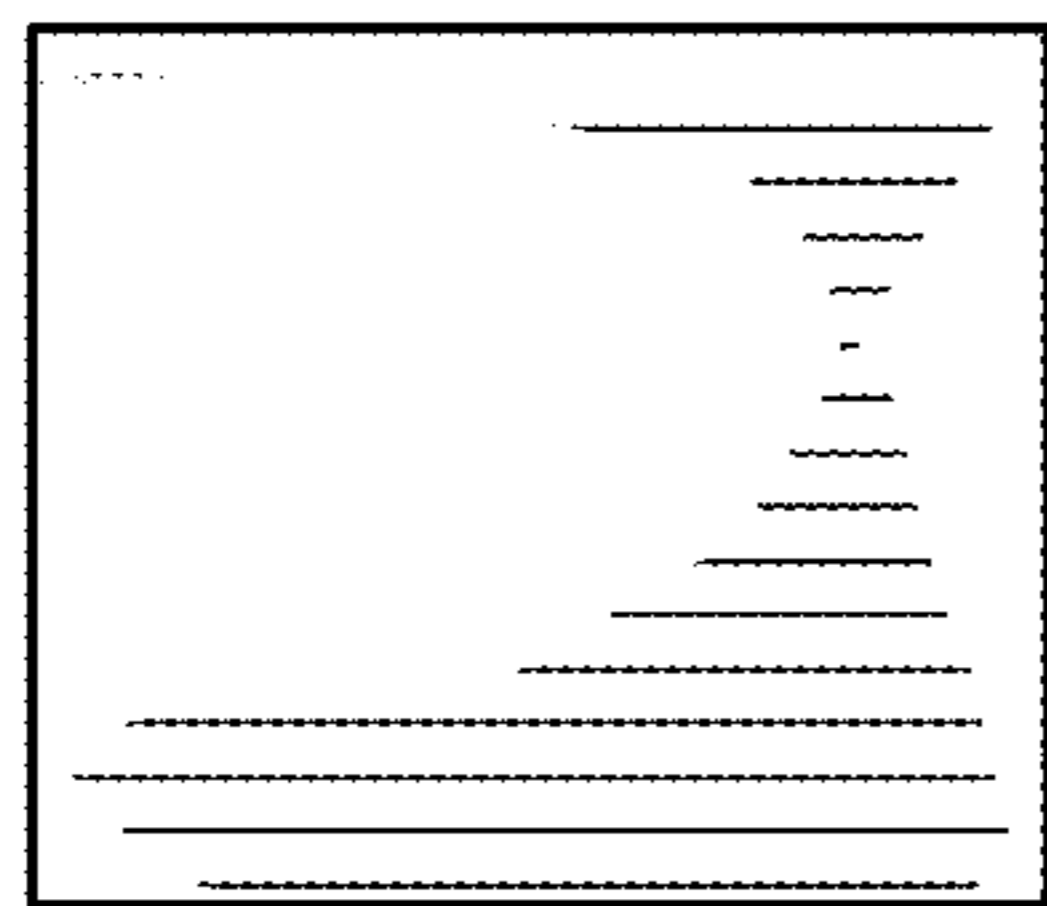


FIG. 2

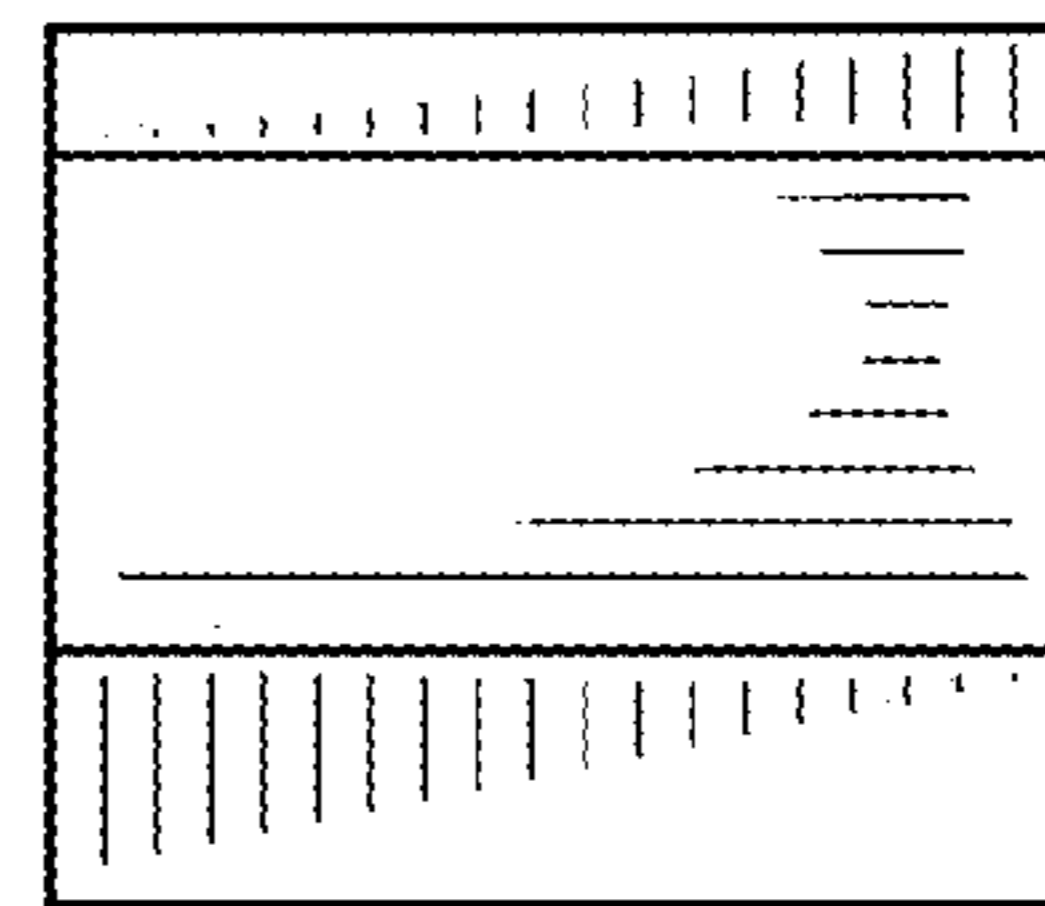


FIG. 3

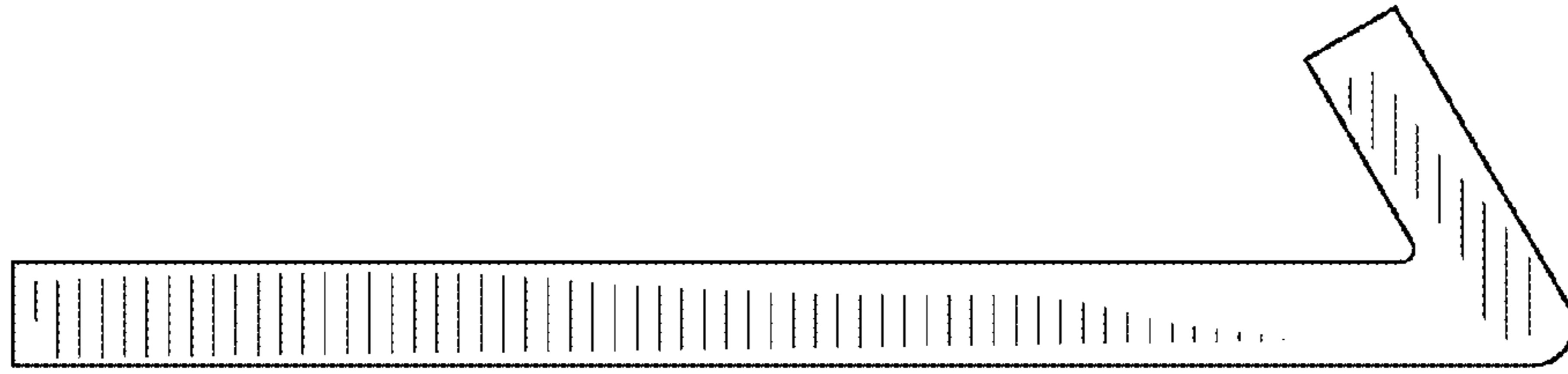


FIG. 4

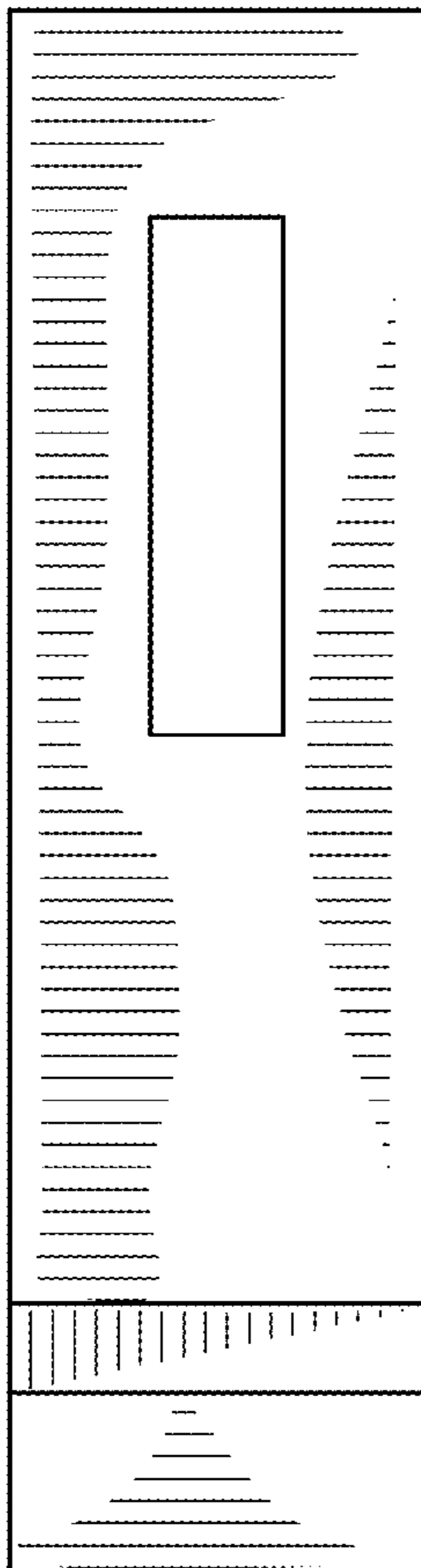


FIG. 5

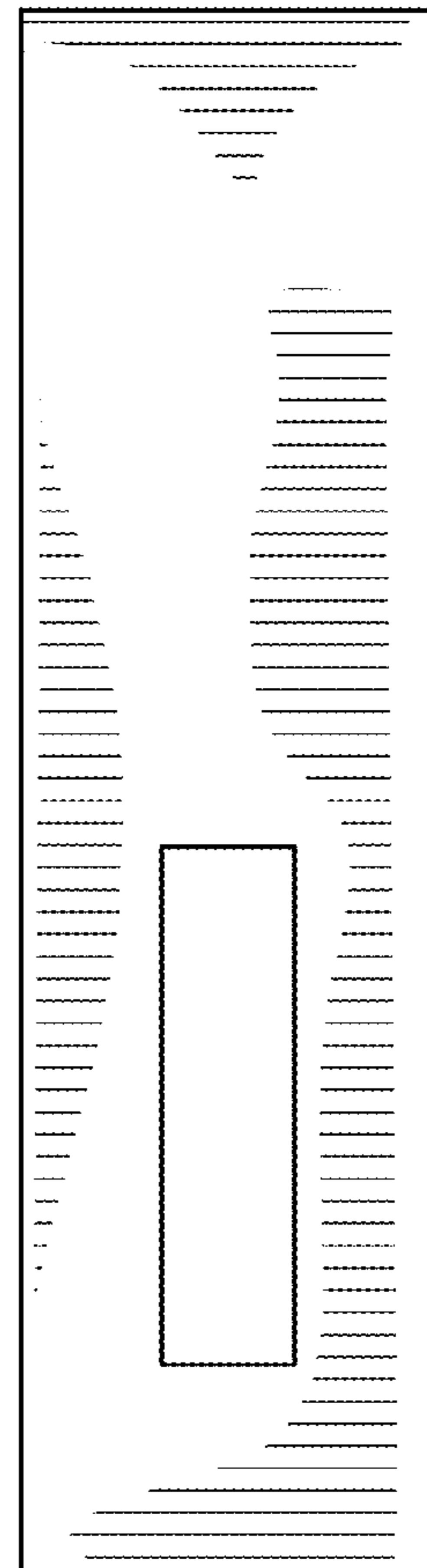


FIG. 6