



US00D745343S

(12) **United States Design Patent**
Heinrich

(10) **Patent No.:** **US D745,343 S**

(45) **Date of Patent:** **** Dec. 15, 2015**

(54) **EGGSHELL EXTRACTION TOOL**

(71) Applicant: **Clifford W. Heinrich**, Litchfield Park,
AZ (US)

(72) Inventor: **Clifford W. Heinrich**, Litchfield Park,
AZ (US)

(**) Term: **14 Years**

(21) Appl. No.: **29/493,939**

(22) Filed: **Jun. 16, 2014**

Related U.S. Application Data

(63) Continuation-in-part of application No. 13/527,856,
filed on Jun. 20, 2012, now abandoned.

(51) **LOC (10) Cl.** **07-04**

(52) **U.S. Cl.**
USPC **D7/667; D7/692**

(58) **Field of Classification Search**
USPC D7/667, 669, 680–696, 393, 395;
30/324–328; 210/470, 471, 464, 495,
210/499, 474, 477; 7/110, 113, 109;
294/176–180
CPC A47J 43/24; A47J 47/20; A47J 43/285;
A47J 31/06; A01B 1/02; A47G 21/04; A47F
13/08

See application file for complete search history.

(56) **References Cited**

U.S. PATENT DOCUMENTS

D460,328 S * 7/2002 de Groote D7/691
D487,675 S * 3/2004 Overthun D7/667

D551,522 S * 9/2007 Taylor D7/667
D623,486 S * 9/2010 Ma D7/692
D648,603 S * 11/2011 Bhasin D7/691
2013/0192070 A1 * 8/2013 Amit A47J 31/06
30/325

* cited by examiner

Primary Examiner — Terry Wallace

(74) *Attorney, Agent, or Firm* — Bycer Law, PLC; Matthew
L. Bycer

(57) **CLAIM**

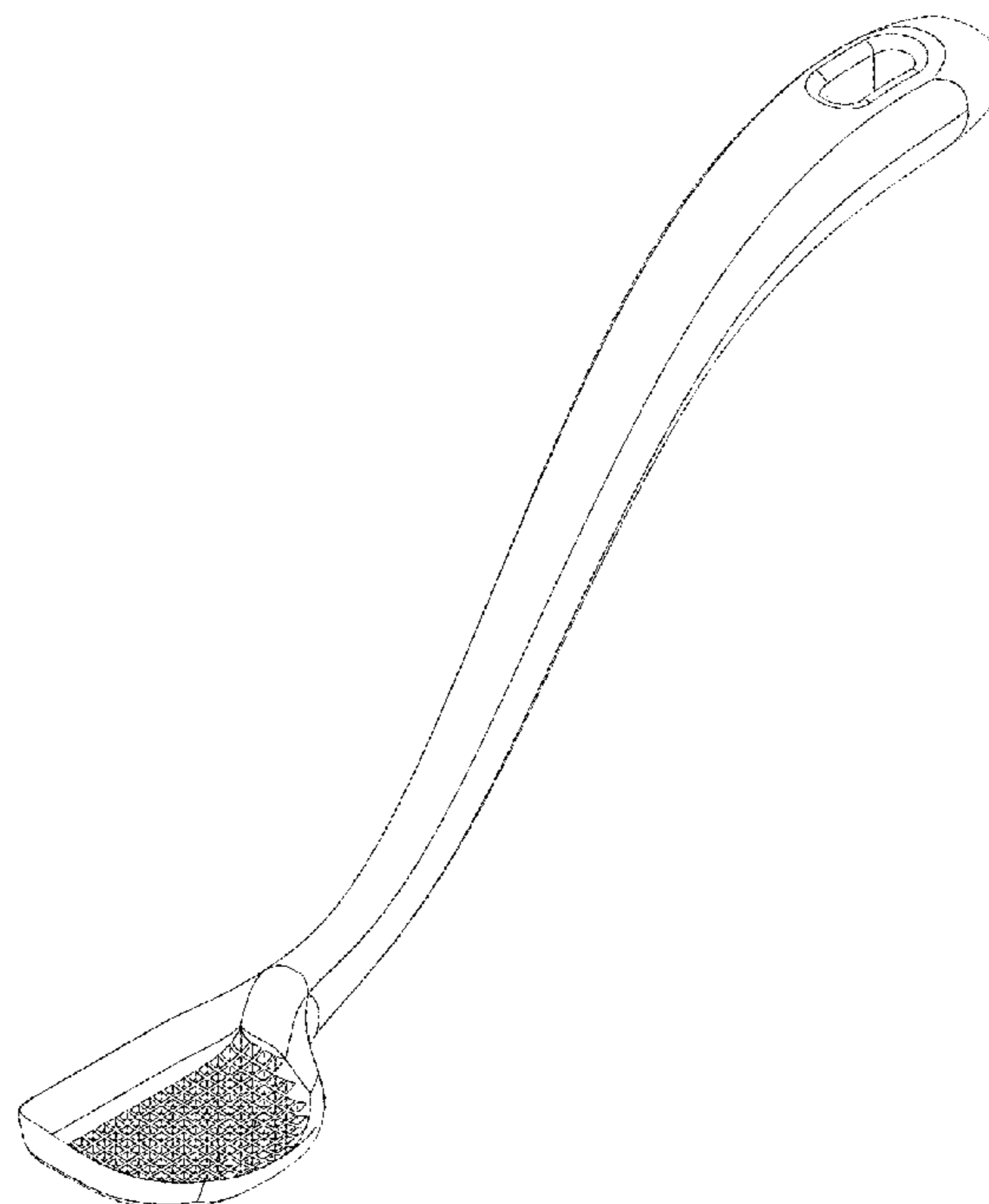
I claim the ornamental design for eggshell extraction tool, as
shown and described.

DESCRIPTION

FIG. 1 is a perspective view of an eggshell extraction tool
showing my design;
FIG. 2 is right side view of the design;
FIG. 3 is a left side view of the design;
FIG. 4 is a top side view of the design;
FIG. 5 is a bottom side view of the design;
FIG. 6 is a front side view of the design; and,
FIG. 7 is a back side of the design.

The broken lines shown in the drawings represent portions of
the eggshell extraction tool that form no part of the claimed
design.

1 Claim, 7 Drawing Sheets



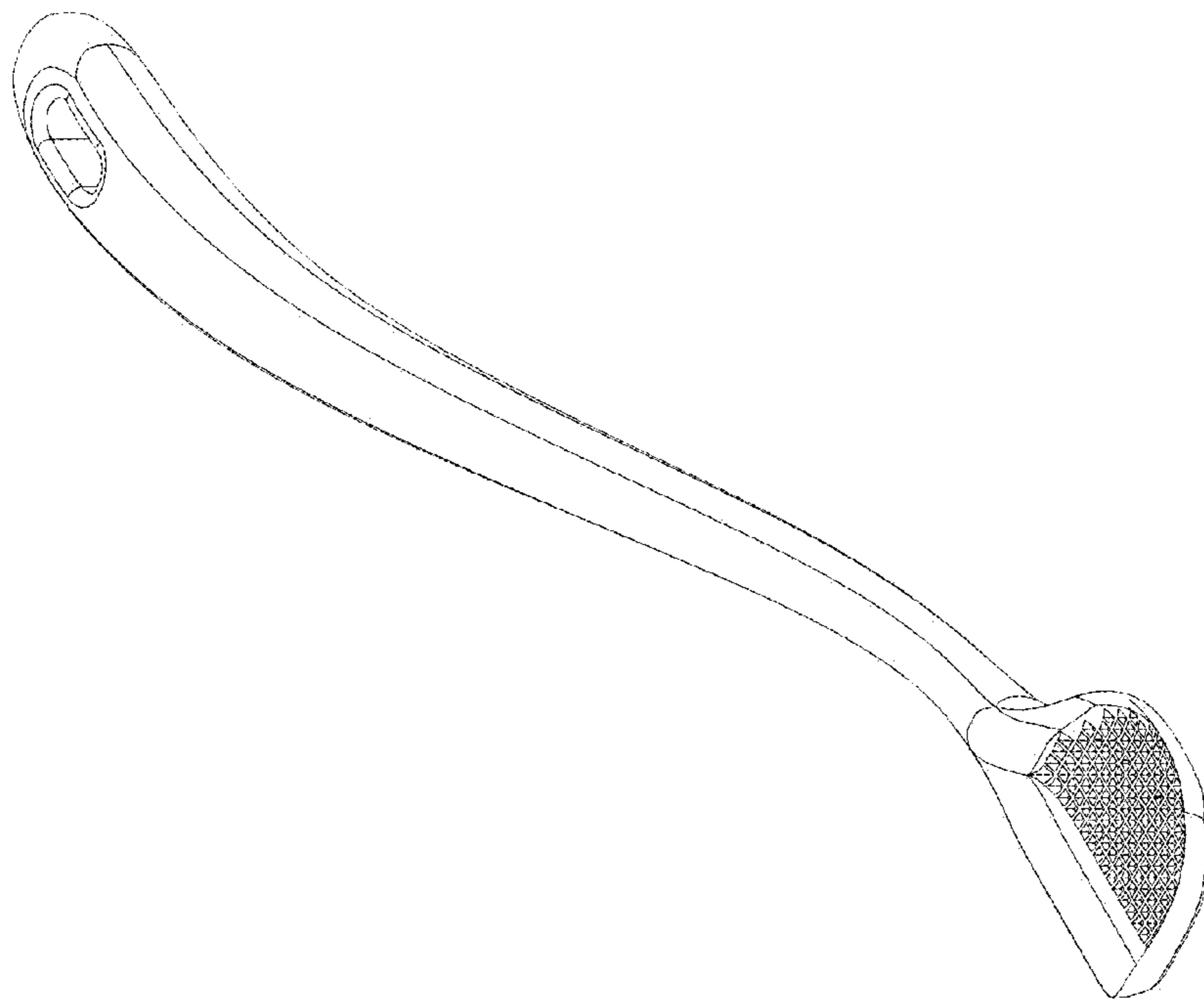


FIG. 1

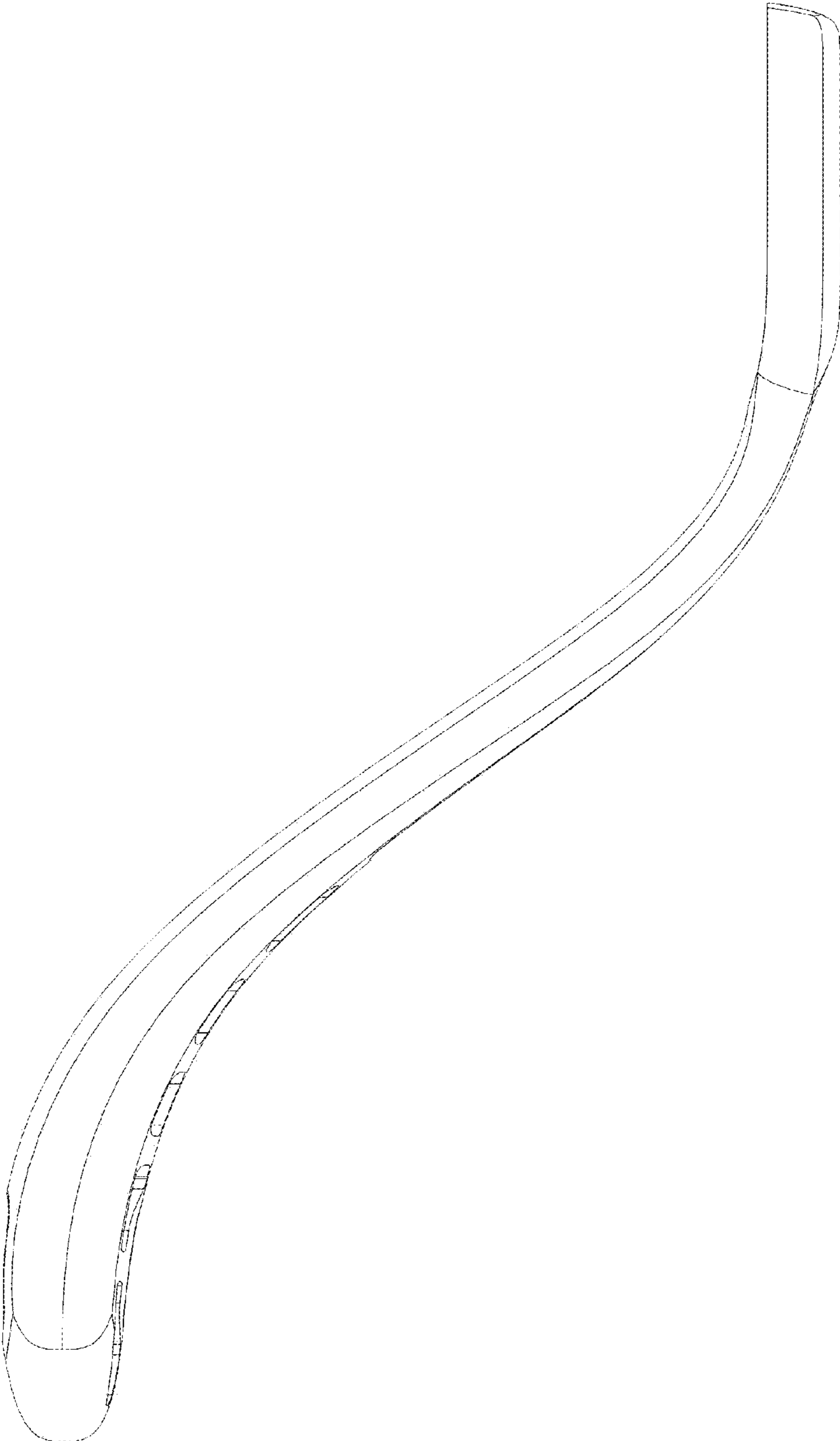


FIG. 2

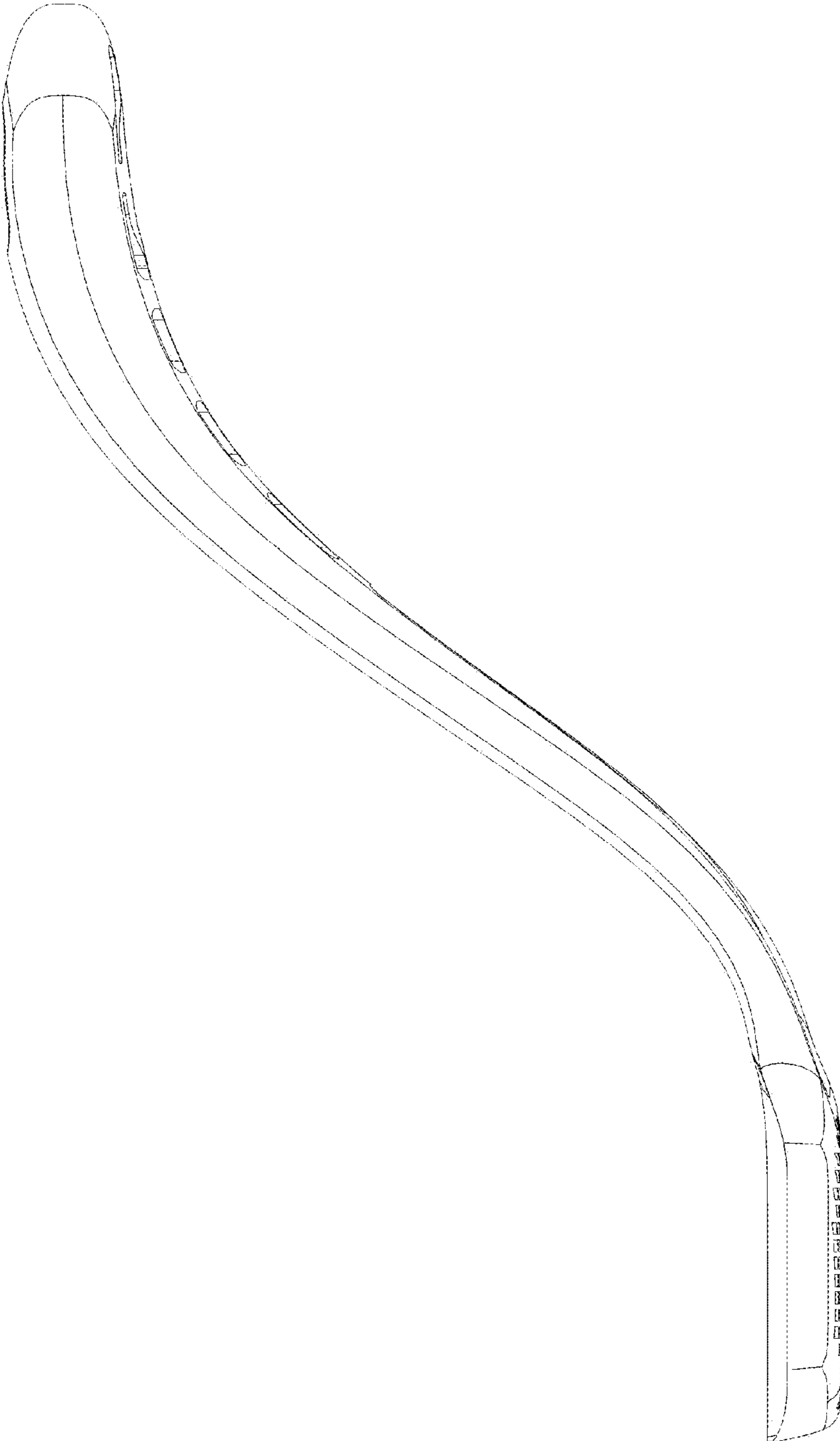


FIG. 3

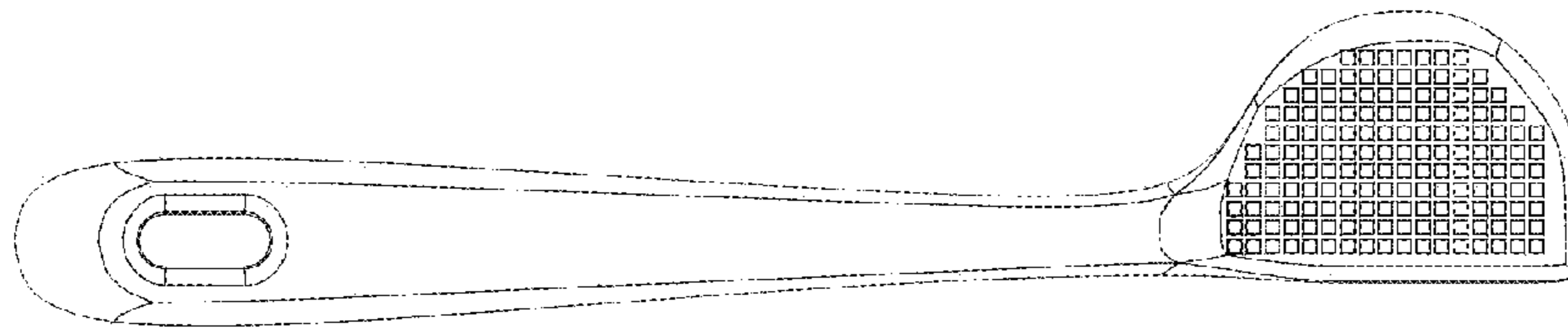


FIG. 4

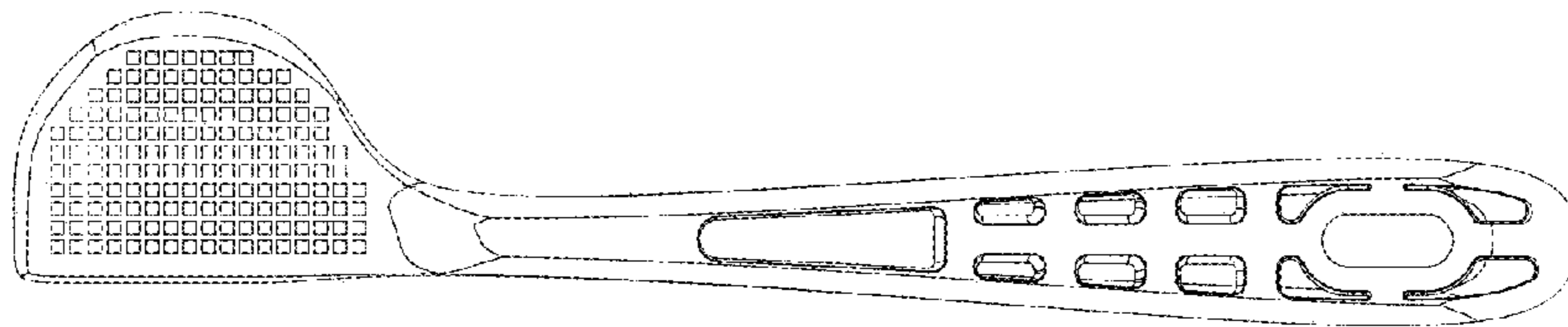


FIG. 5

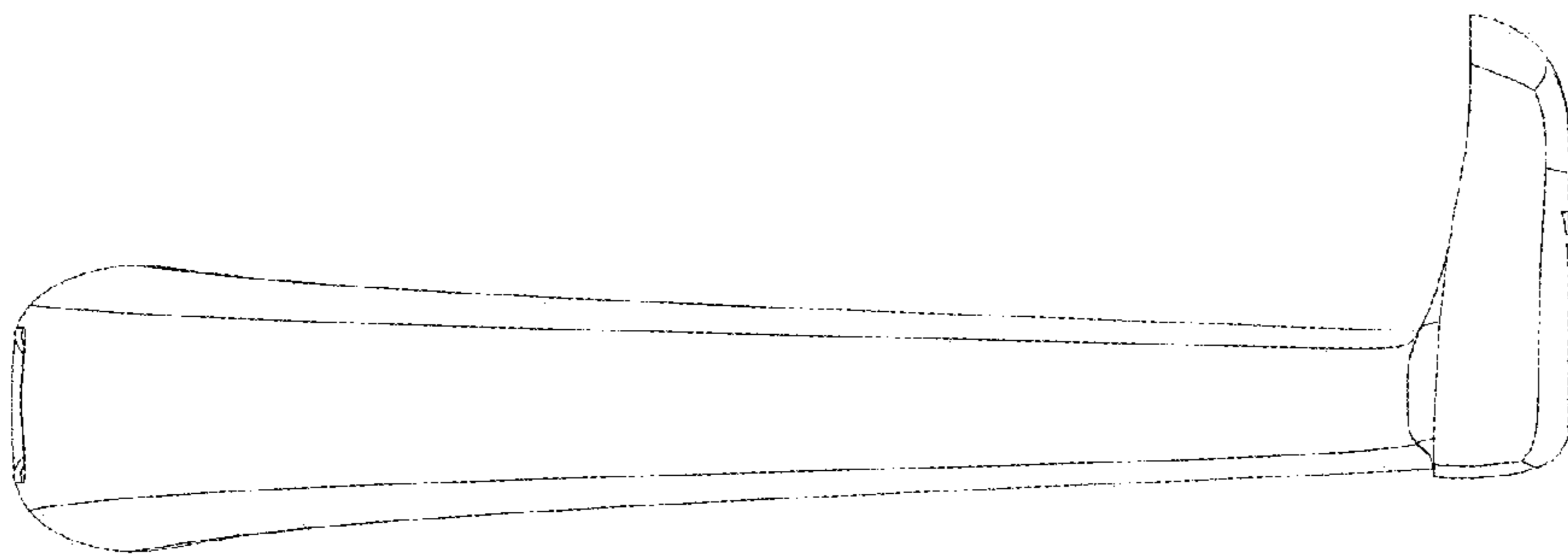


FIG. 6

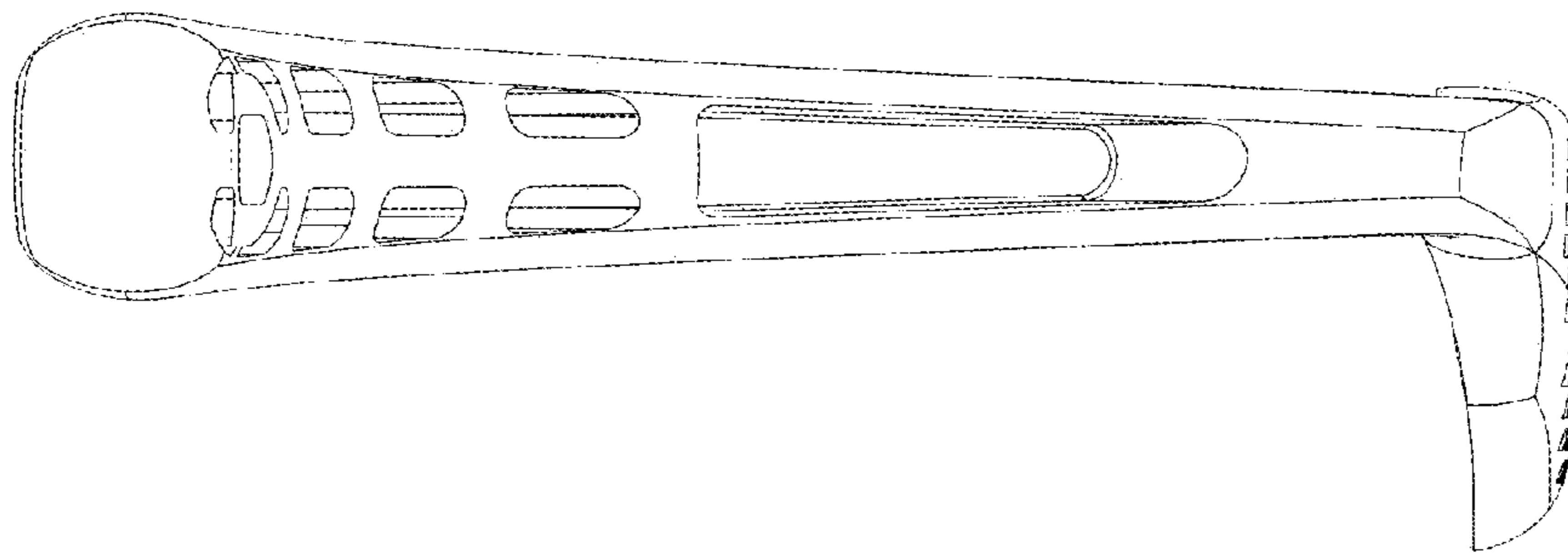


FIG. 7