



US00D745342S

(12) **United States Design Patent**
Lee

(10) **Patent No.:** **US D745,342 S**
(45) **Date of Patent:** **** Dec. 15, 2015**

(54) **JUICER BASE**
(71) Applicant: **Wen-Ching Lee**, Taichung (TW)
(72) Inventor: **Wen-Ching Lee**, Taichung (TW)
(**) Term: **15 Years**
(21) Appl. No.: **29/529,144**
(22) Filed: **Jun. 4, 2015**

D473,099 S * 4/2003 Yamamoto et al. D7/378
D510,238 S * 10/2005 Yen D7/665
D665,633 S * 8/2012 Kim et al. D7/665

* cited by examiner

Primary Examiner — Terry Wallace

(74) *Attorney, Agent, or Firm* — Rosenberg, Klein & Lee

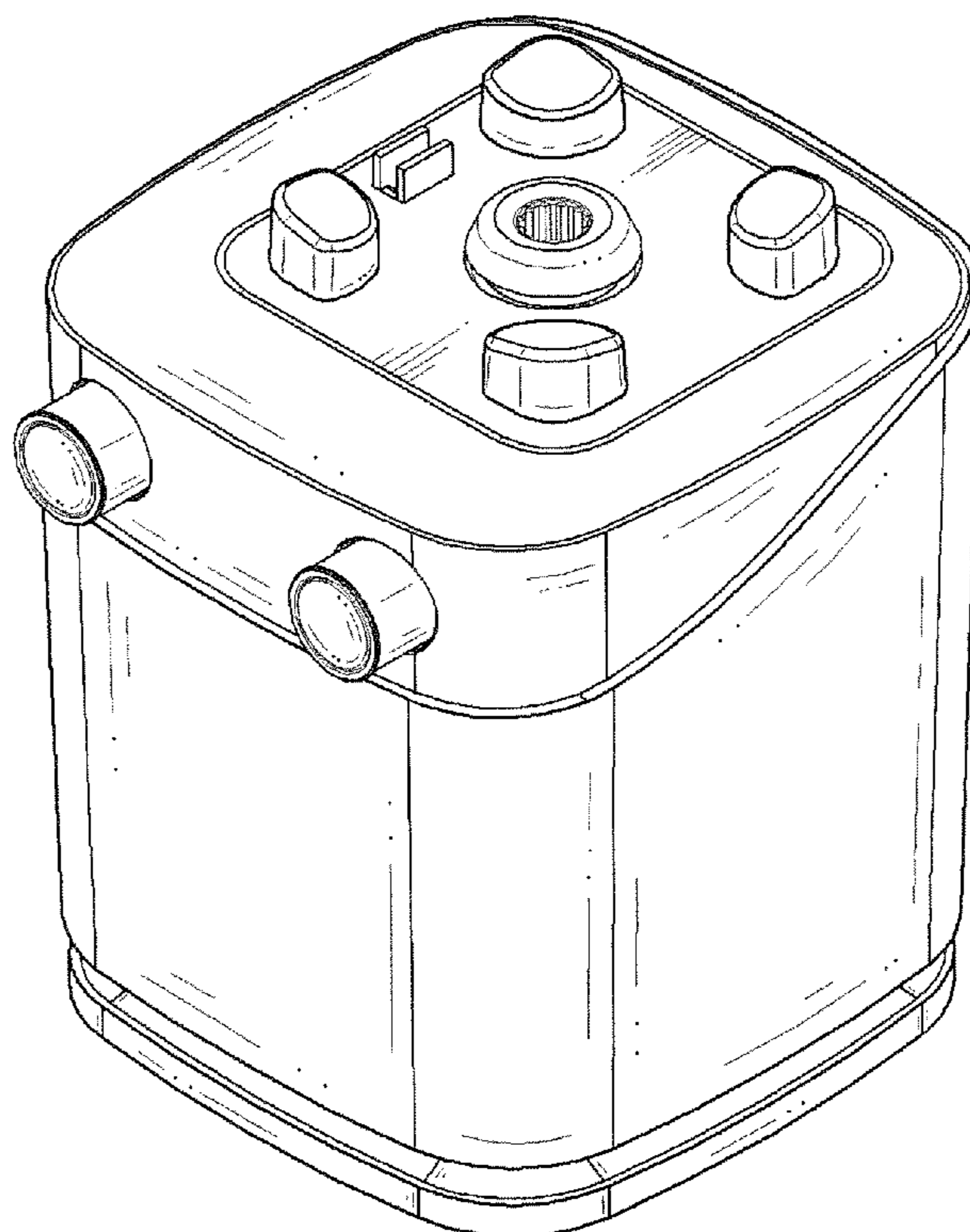
(30) **Foreign Application Priority Data**
Dec. 15, 2014 (CN) 2014 3 0527144
(51) **LOC (10) CL.** **31-00**
(52) **U.S. Cl.**
USPC **D7/665; D7/412**
(58) **Field of Classification Search**
USPC D7/368, 665, 376–378, 412;
99/501–513, 492, 495;
241/101.1–101.7, 285.1–285.3, 282.1,
241/282.2, 285.2, 292.1; 366/133, 157.3,
366/186, 194, 249, 266, 318
CPC A47J 19/027; A47J 43/046; A47J 19/025;
A47J 19/06; A23N 1/02
See application file for complete search history.

(57) **CLAIM**
The ornamental design for a juicer base, as shown and described.

(56) **References Cited**
U.S. PATENT DOCUMENTS
D253,083 S * 10/1979 Lam D7/665

DESCRIPTION
FIG. 1 is a perspective view of the juicer base, showing my new design;
FIG. 2 is a right side view thereof;
FIG. 3 is a left side view thereof;
FIG. 4 is a front view thereof;
FIG. 5 is a rear view thereof;
FIG. 6 is a top plan view thereof; and,
FIG. 7 is a bottom plan view thereof.

1 Claim, 7 Drawing Sheets



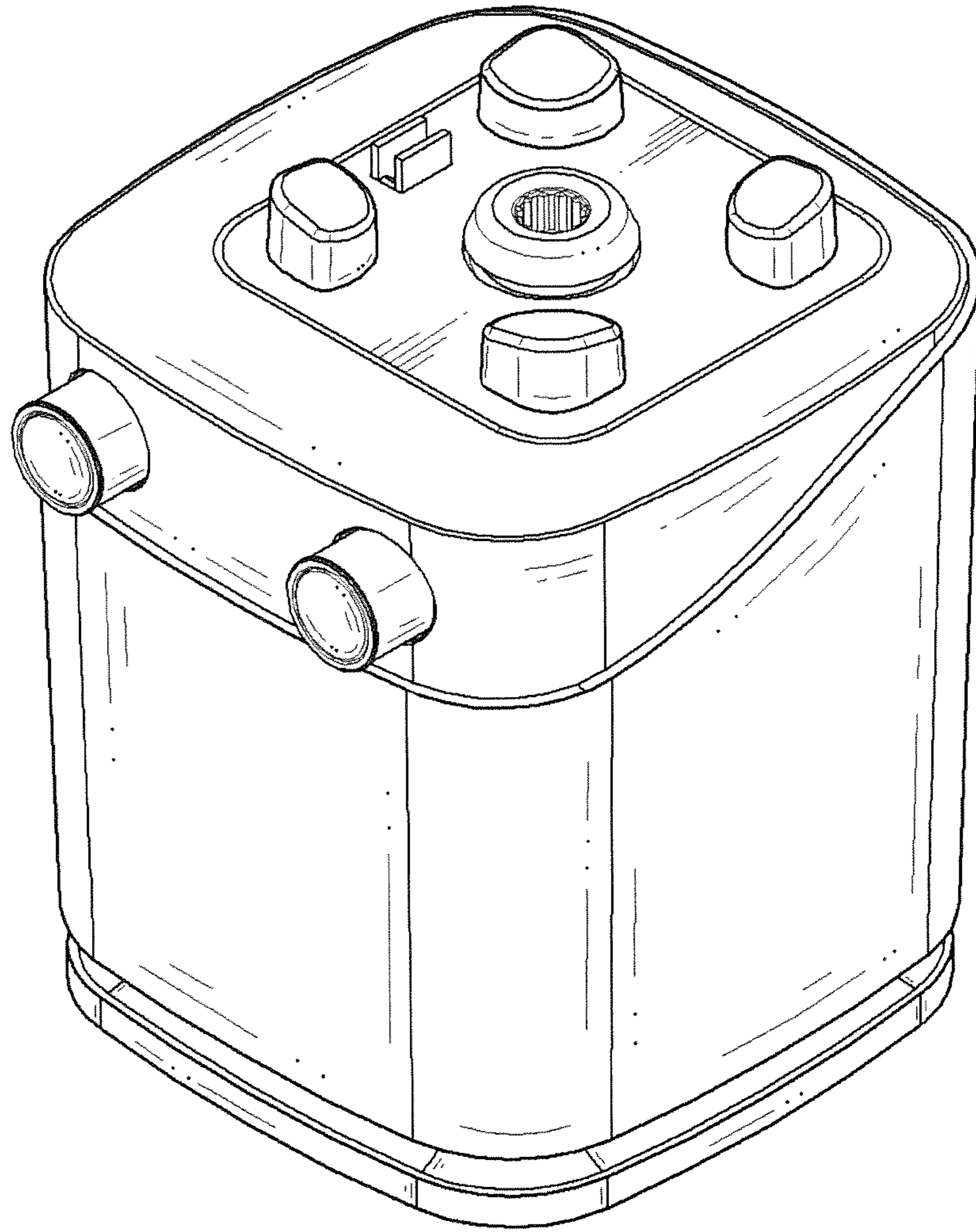


FIG.1

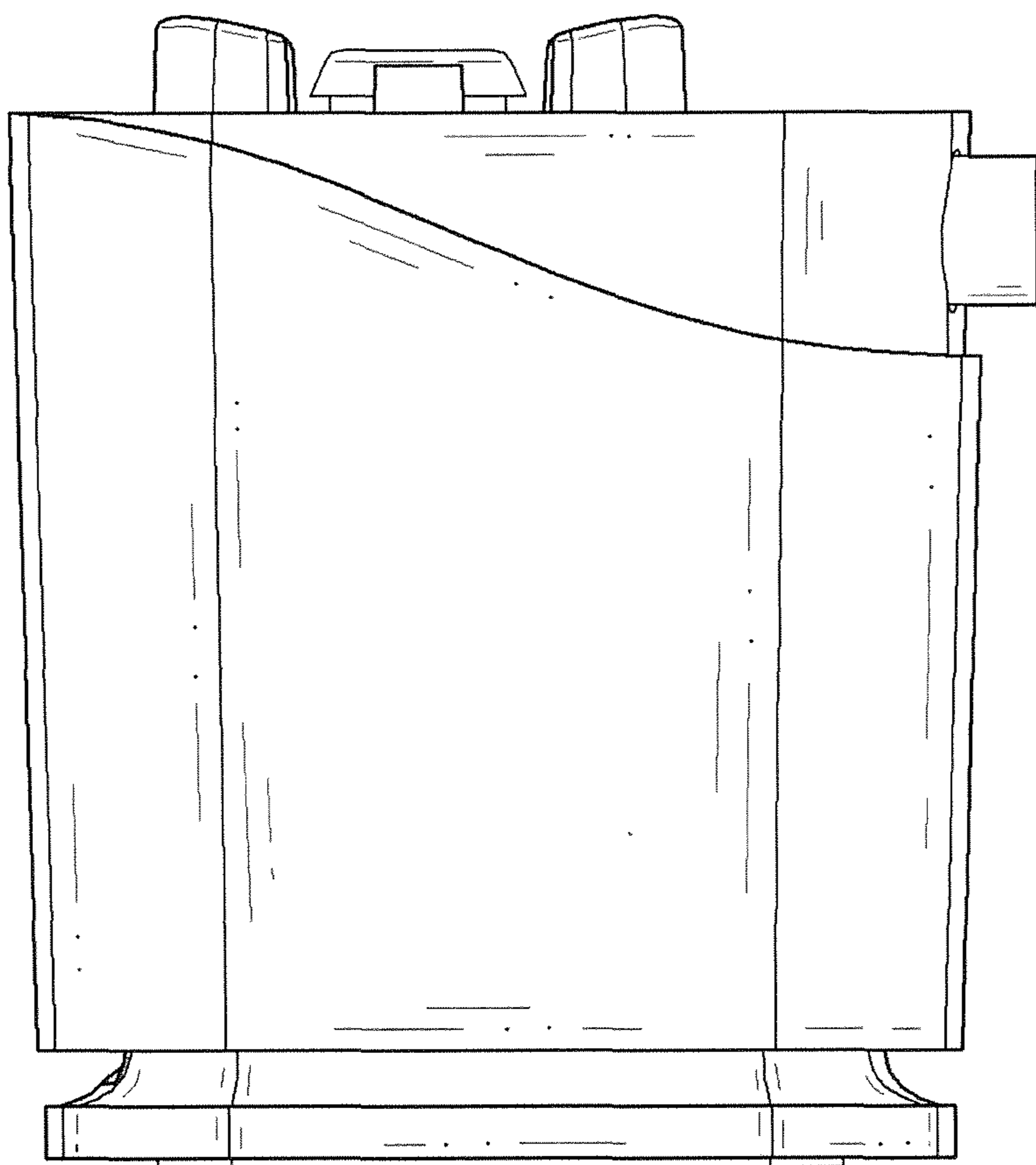


FIG.2

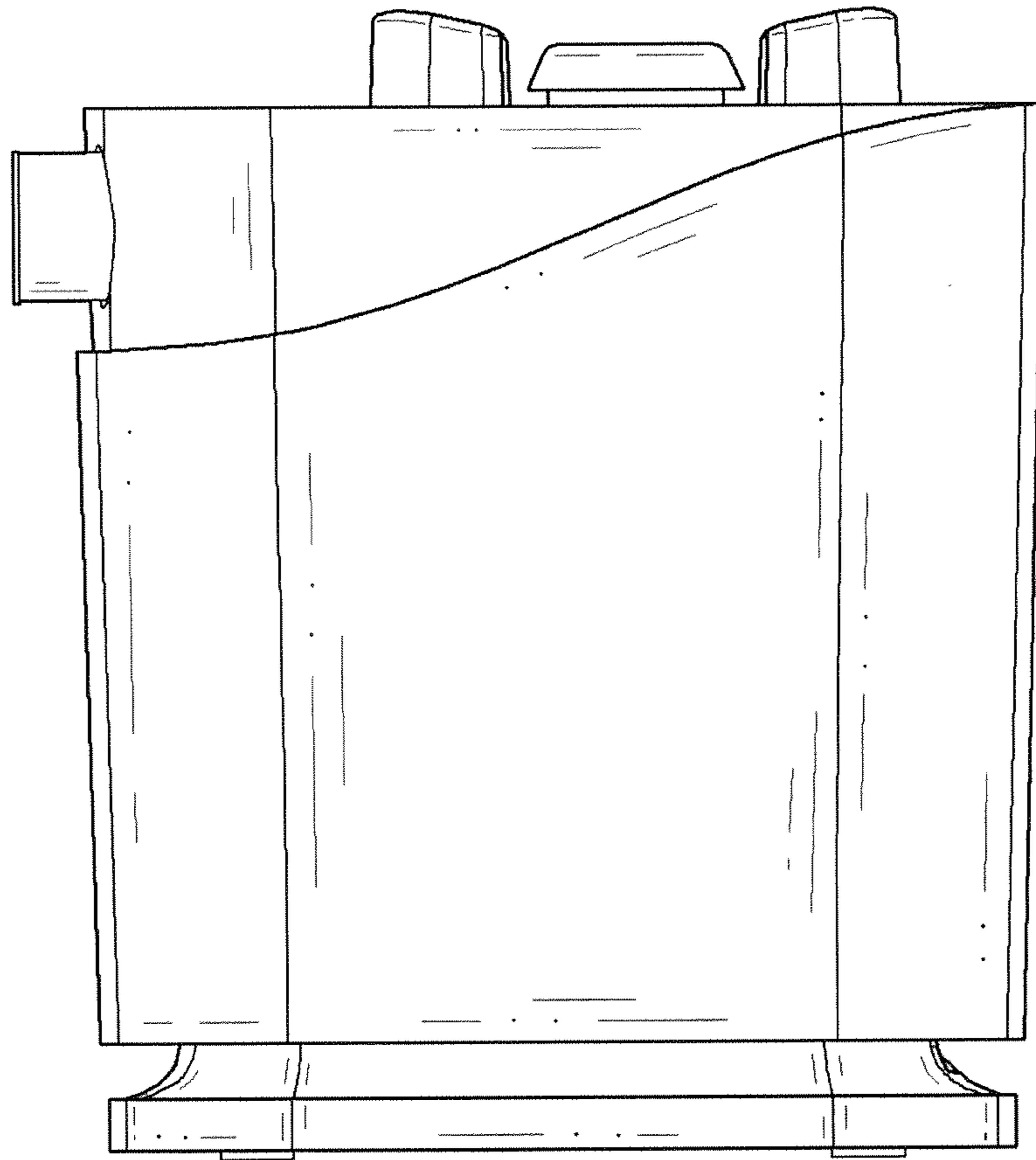


FIG.3

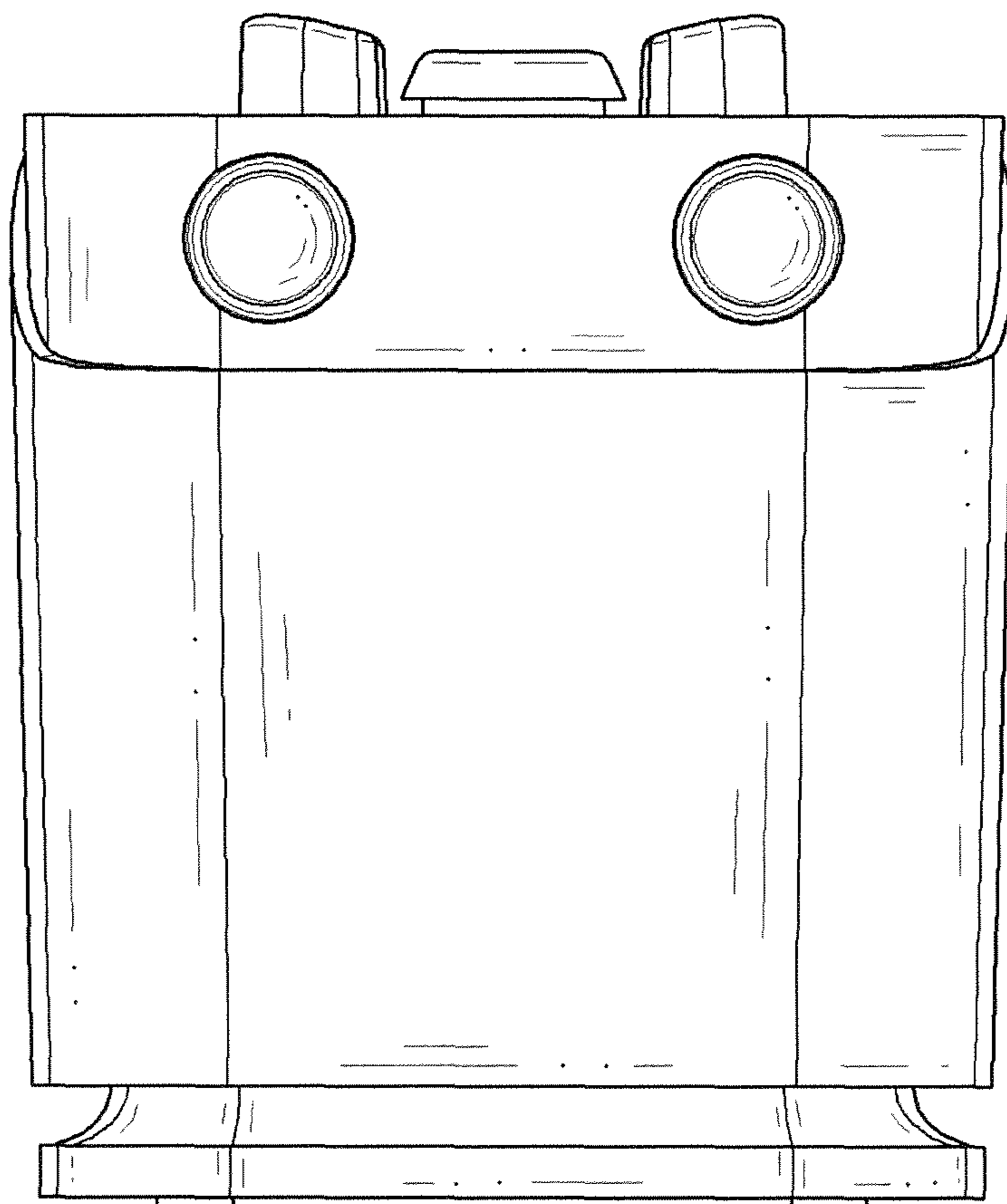


FIG.4

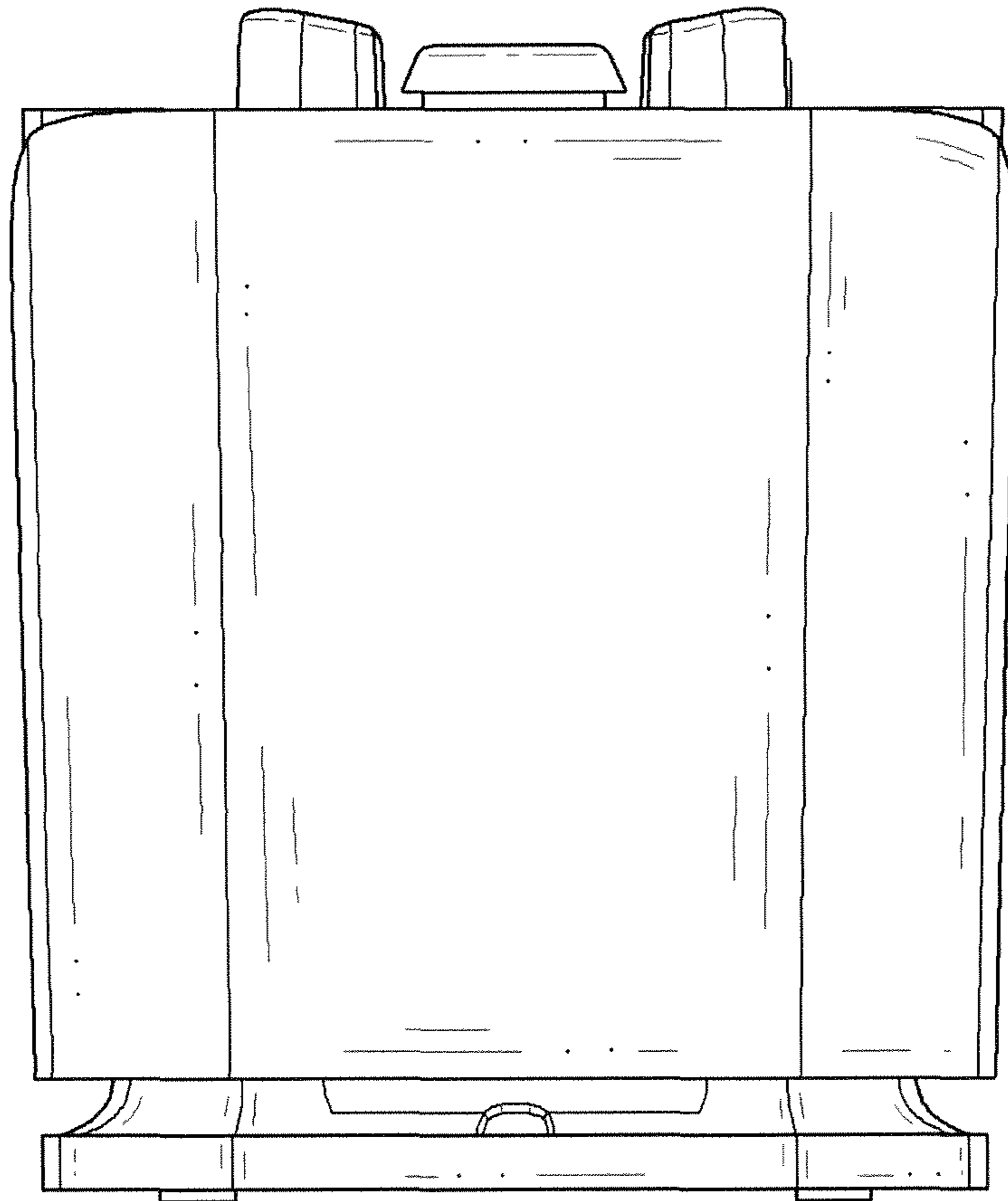


FIG.5

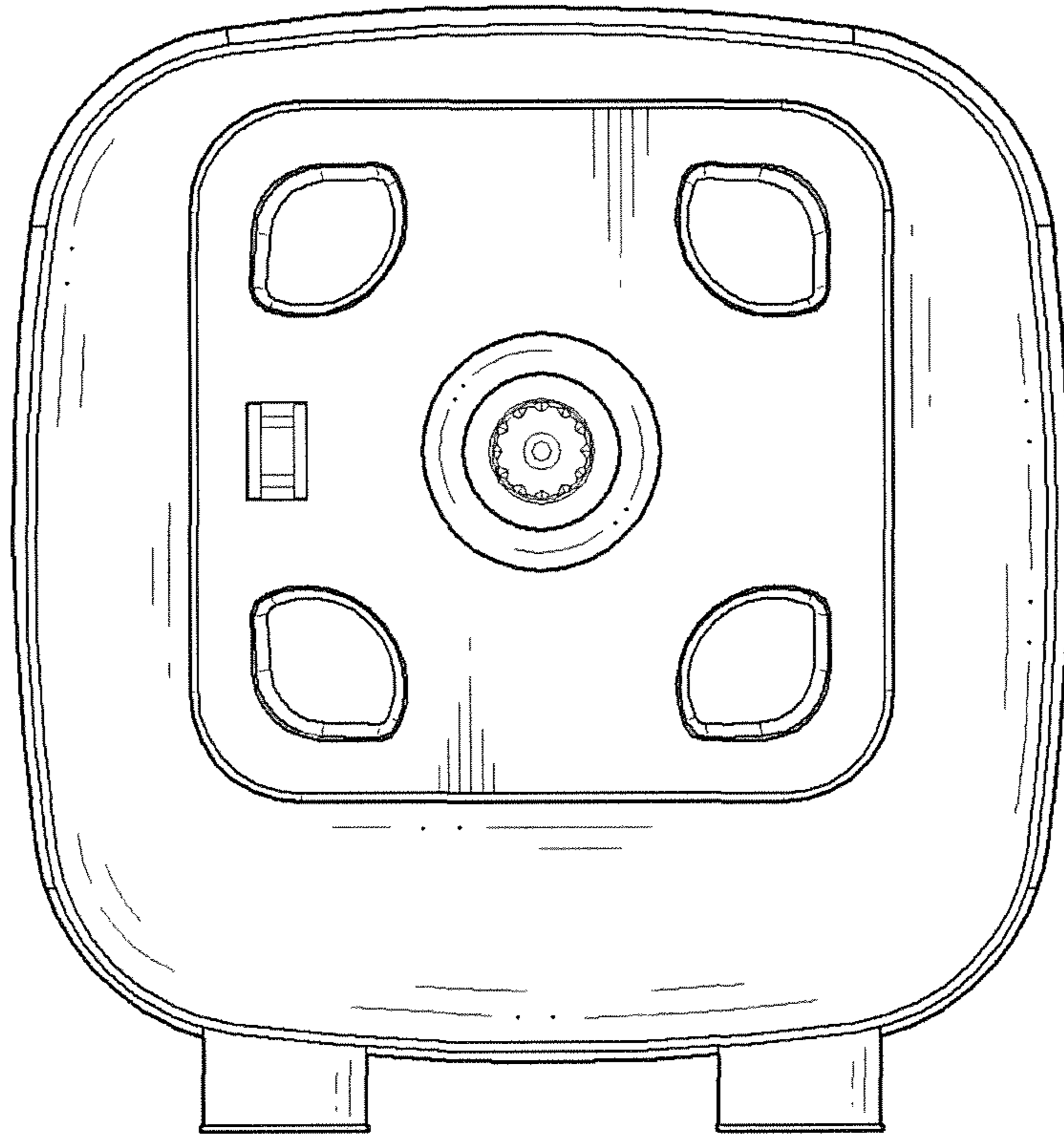


FIG.6

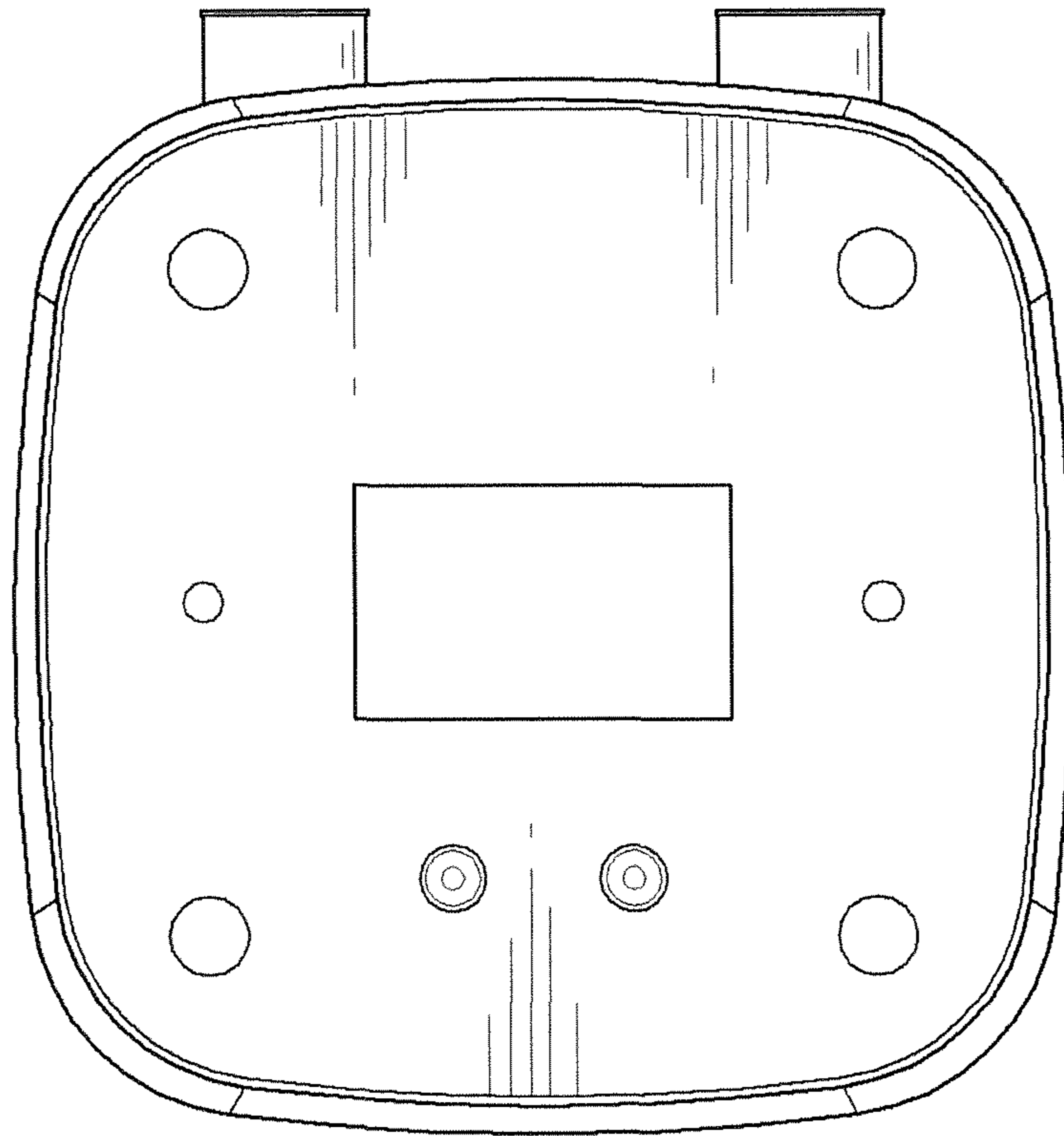


FIG.7