



US00D745340S

(12) **United States Design Patent**
Lee

(10) **Patent No.:** **US D745,340 S**
(45) **Date of Patent:** **** Dec. 15, 2015**

(54) **JUICER BASE**

(71) Applicant: **Wen-Ching Lee**, Taichung (TW)

(72) Inventor: **Wen-Ching Lee**, Taichung (TW)

(**) Term: **14 Years**

(21) Appl. No.: **29/486,843**

(22) Filed: **Apr. 3, 2014**

(30) **Foreign Application Priority Data**

Oct. 10, 2013 (HK) 1301782

(51) **LOC (10) Cl.** **31-00**

(52) **U.S. Cl.**
USPC **D7/665; D7/412**

(58) **Field of Classification Search**
USPC D7/368, 665, 376-378, 412;
99/501-513, 492, 495;
241/101.1-101.7, 285.1-285.3, 282.1,
241/282.2, 285.2, 292.1; 366/133, 157.3,
366/186, 194, 249, 266, 318
CPC A47J 19/027; A47J 43/046; A47J 19/025;
A47J 19/06; A23N 1/02

See application file for complete search history.

(56) **References Cited**

U.S. PATENT DOCUMENTS

D253,083 S *	10/1979	Lam	D7/665
D473,099 S *	4/2003	Yamamoto et al.	D7/378
D510,238 S *	10/2005	Yen	D7/665
D665,633 S *	8/2012	Kim et al.	D7/665

* cited by examiner

Primary Examiner — Terry Wallace

(74) *Attorney, Agent, or Firm* — Rosenberg, Klein & Lee

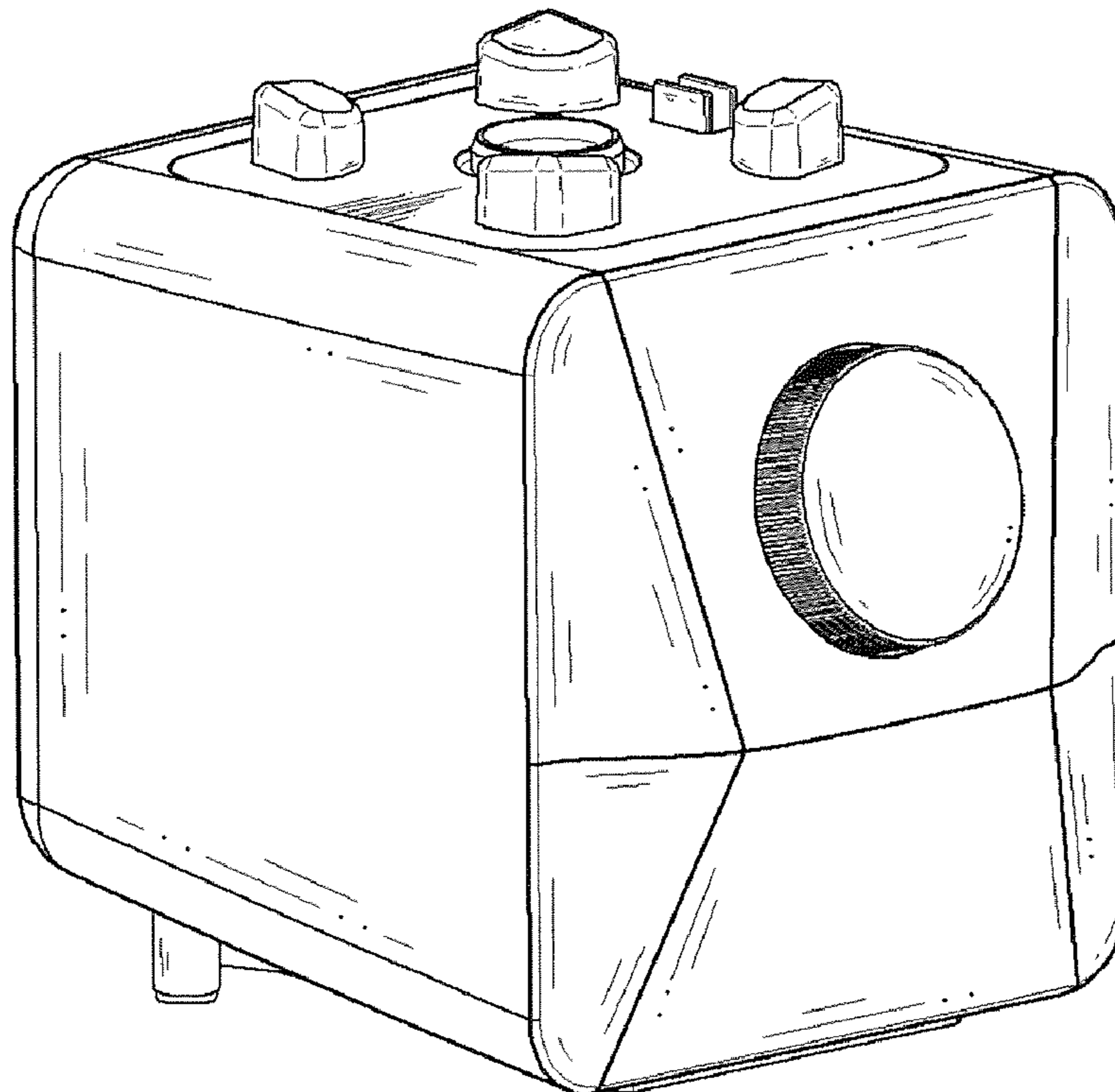
(57) **CLAIM**

The ornamental design for the juicer base, as shown and described.

DESCRIPTION

FIG. 1 is a perspective view of the juicer base, showing my new design;
FIG. 2 is a front elevational view thereof;
FIG. 3 is a rear elevational view thereof;
FIG. 4 is a left side elevational view thereof;
FIG. 5 is a right side elevational view thereof;
FIG. 6 is a top plan view thereof; and,
FIG. 7 is a bottom plan view thereof.

1 Claim, 7 Drawing Sheets



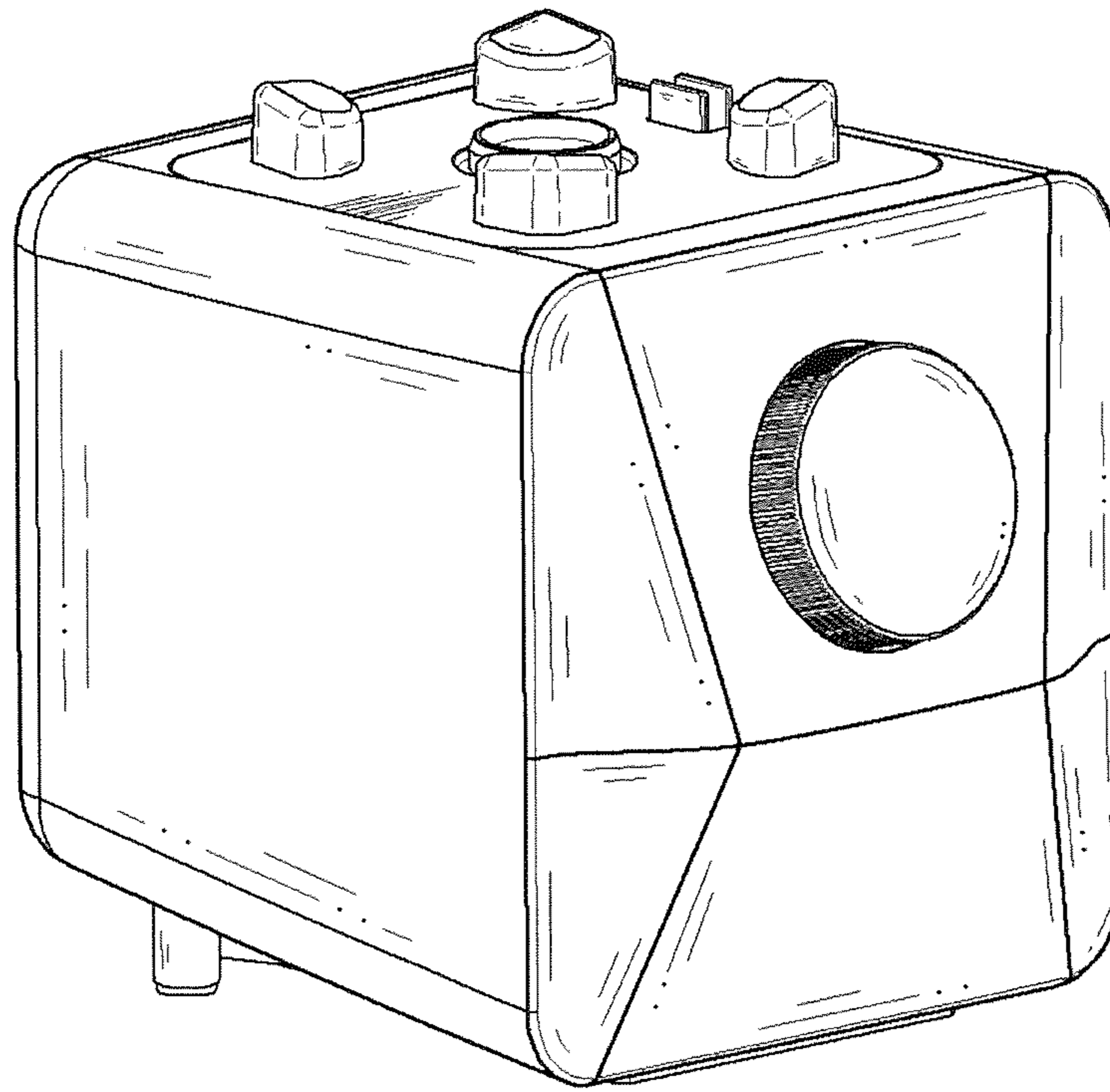


FIG.1

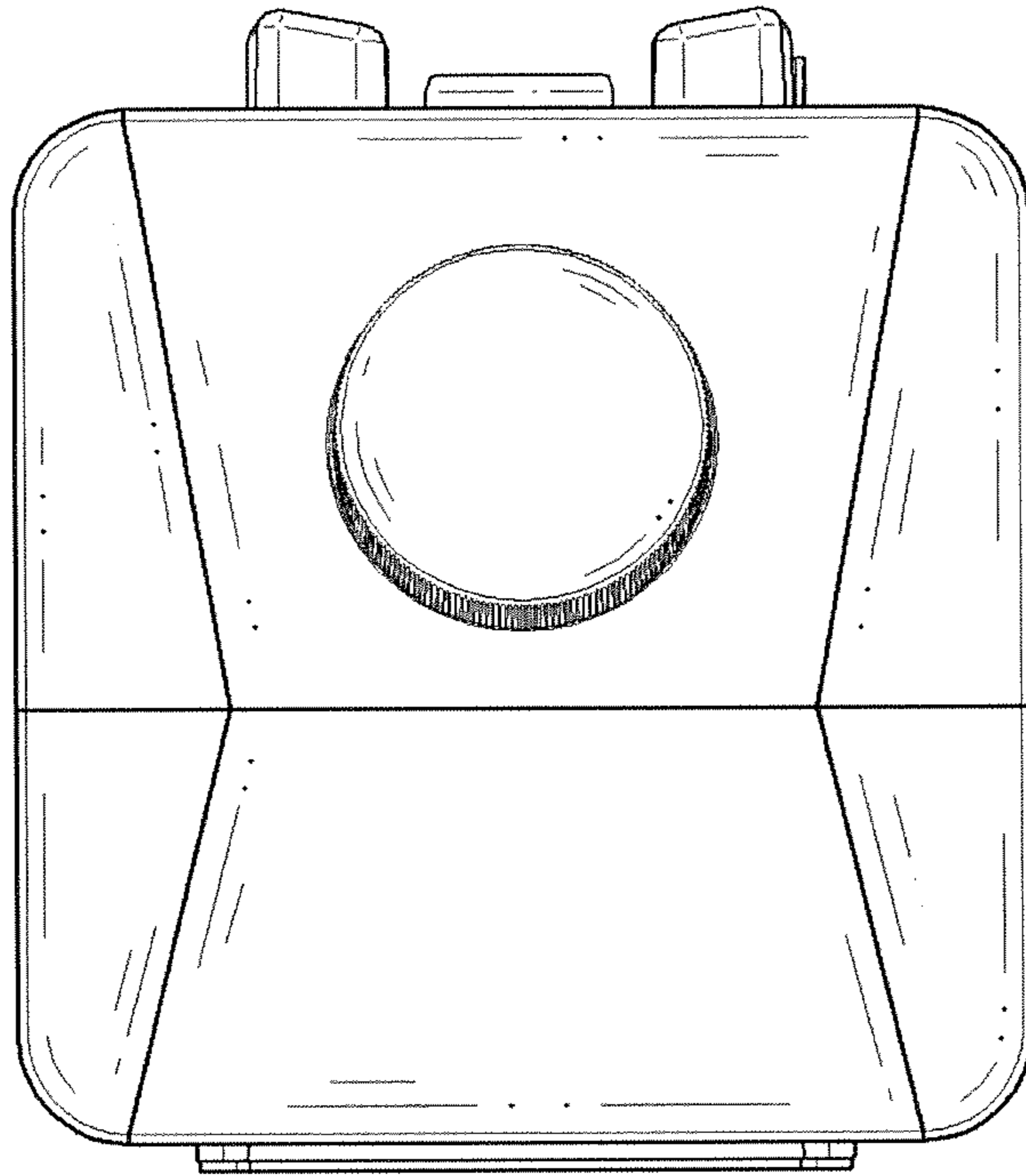


FIG.2

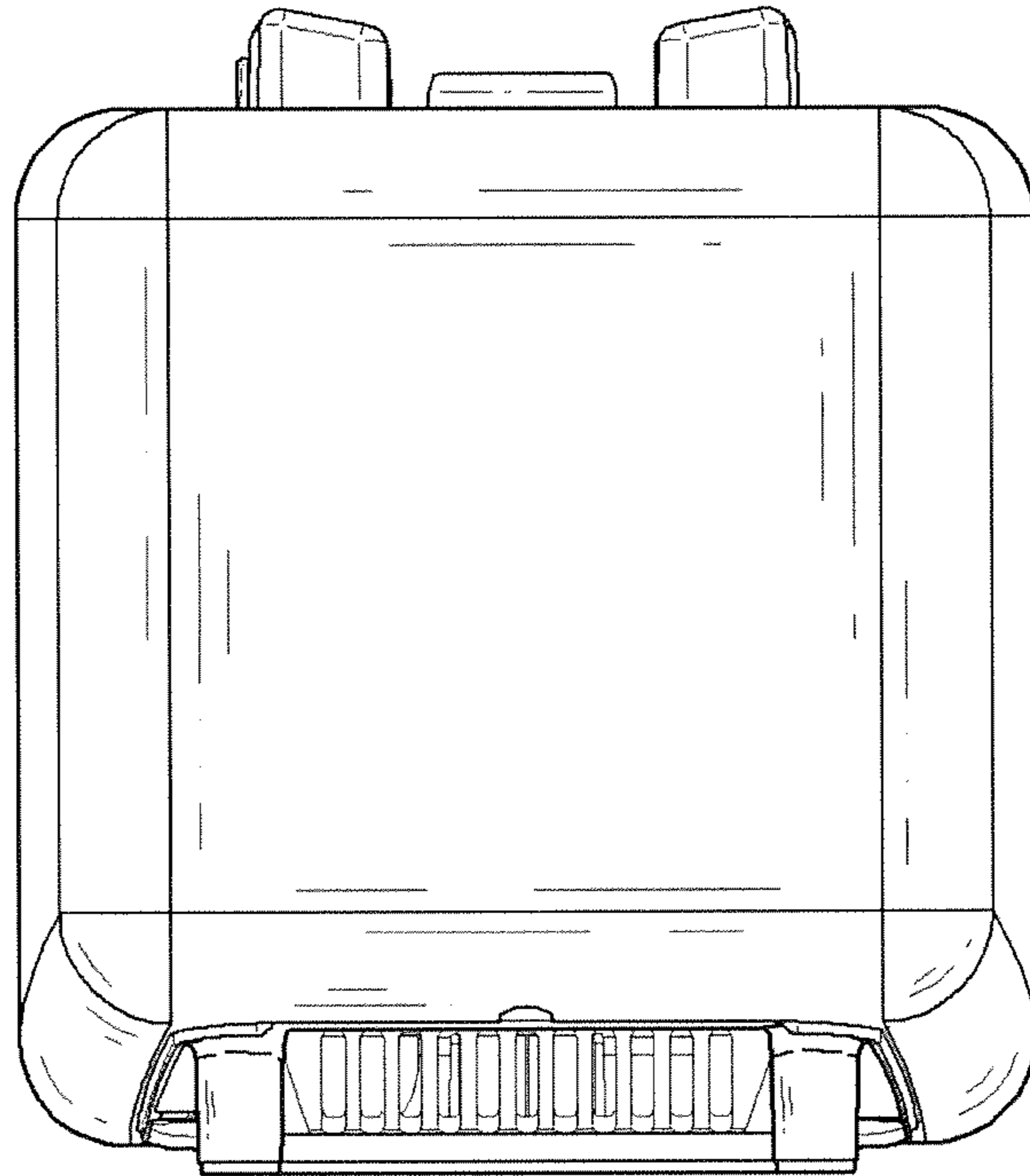


FIG.3

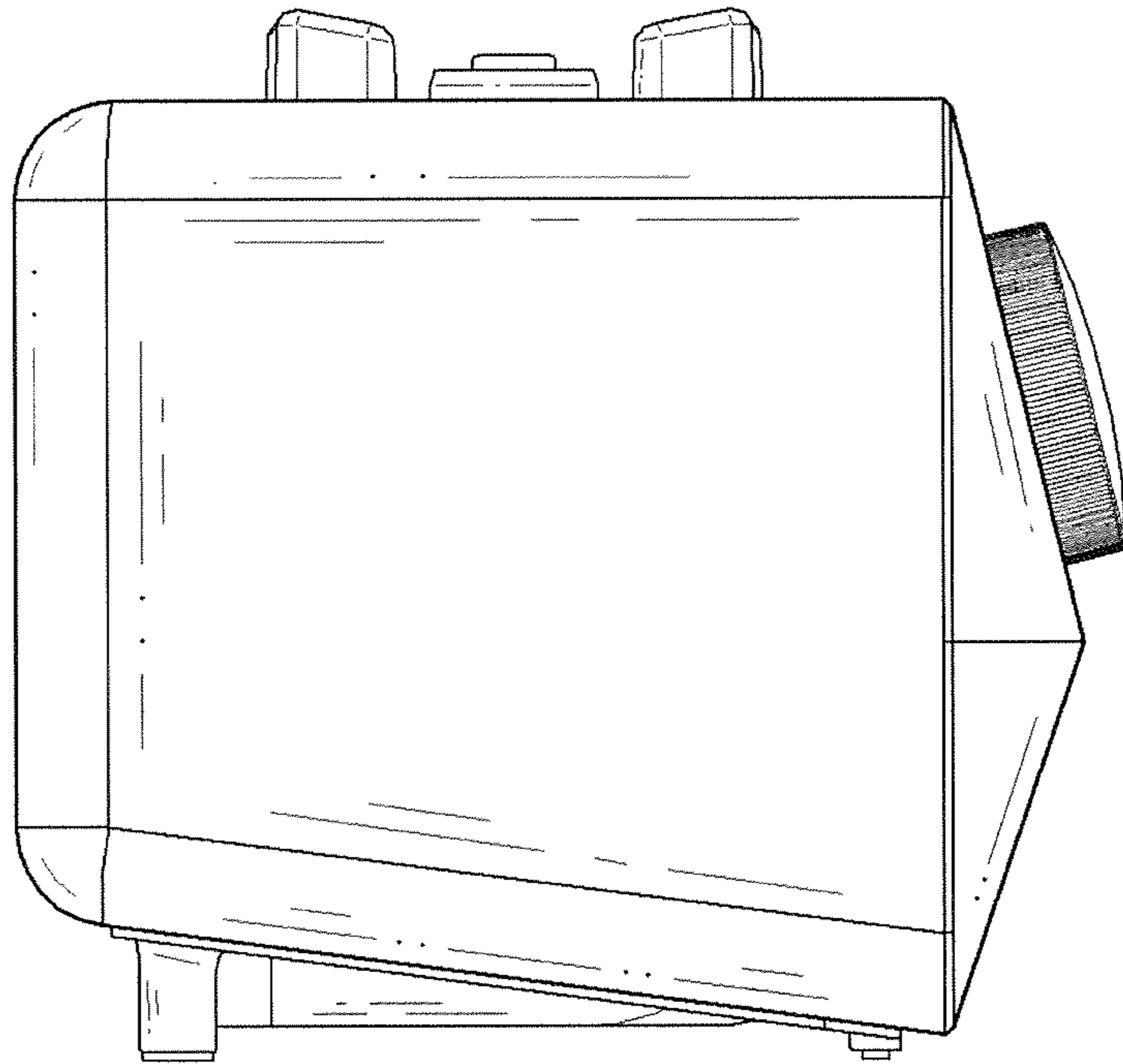


FIG.4

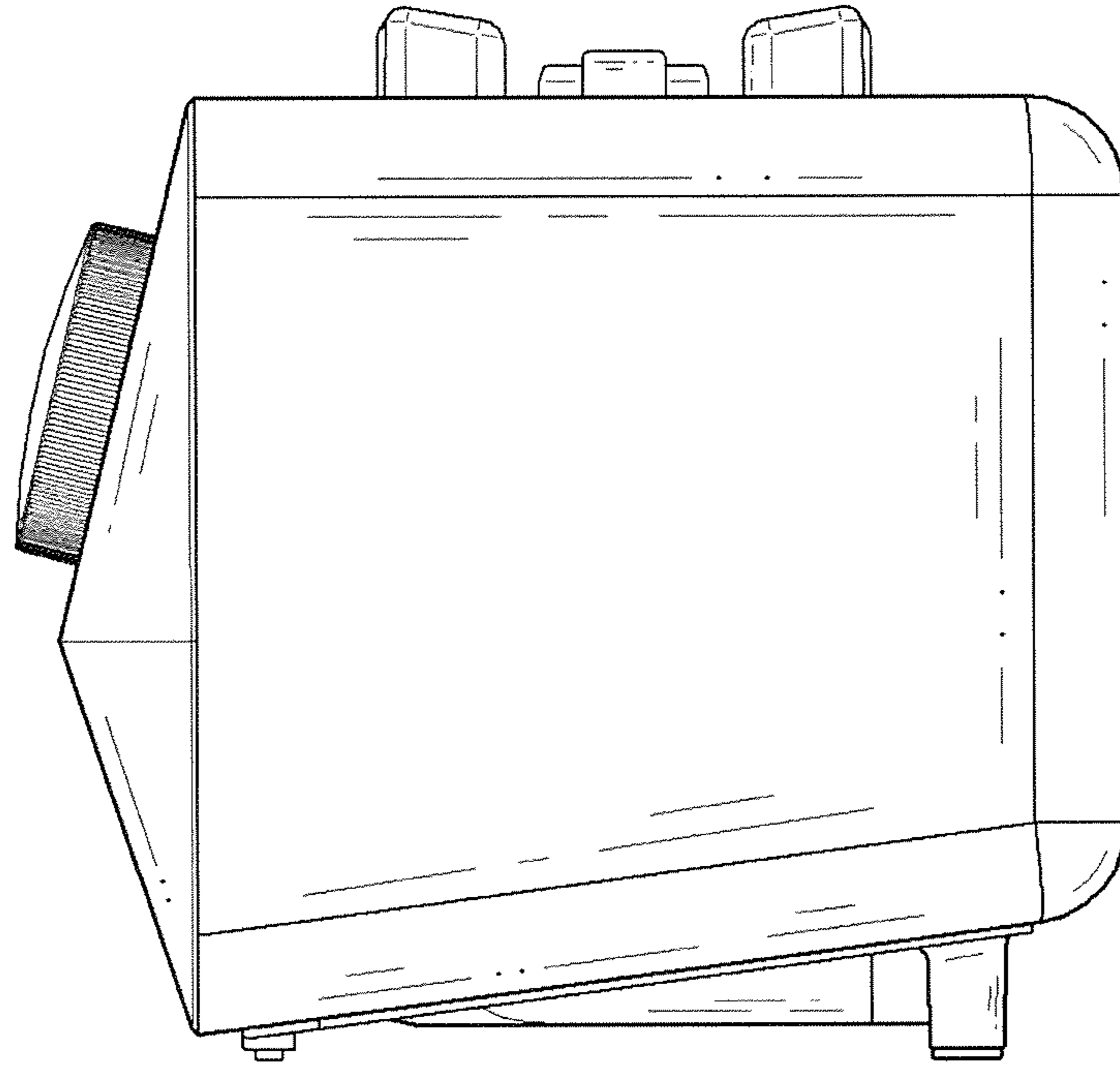


FIG.5

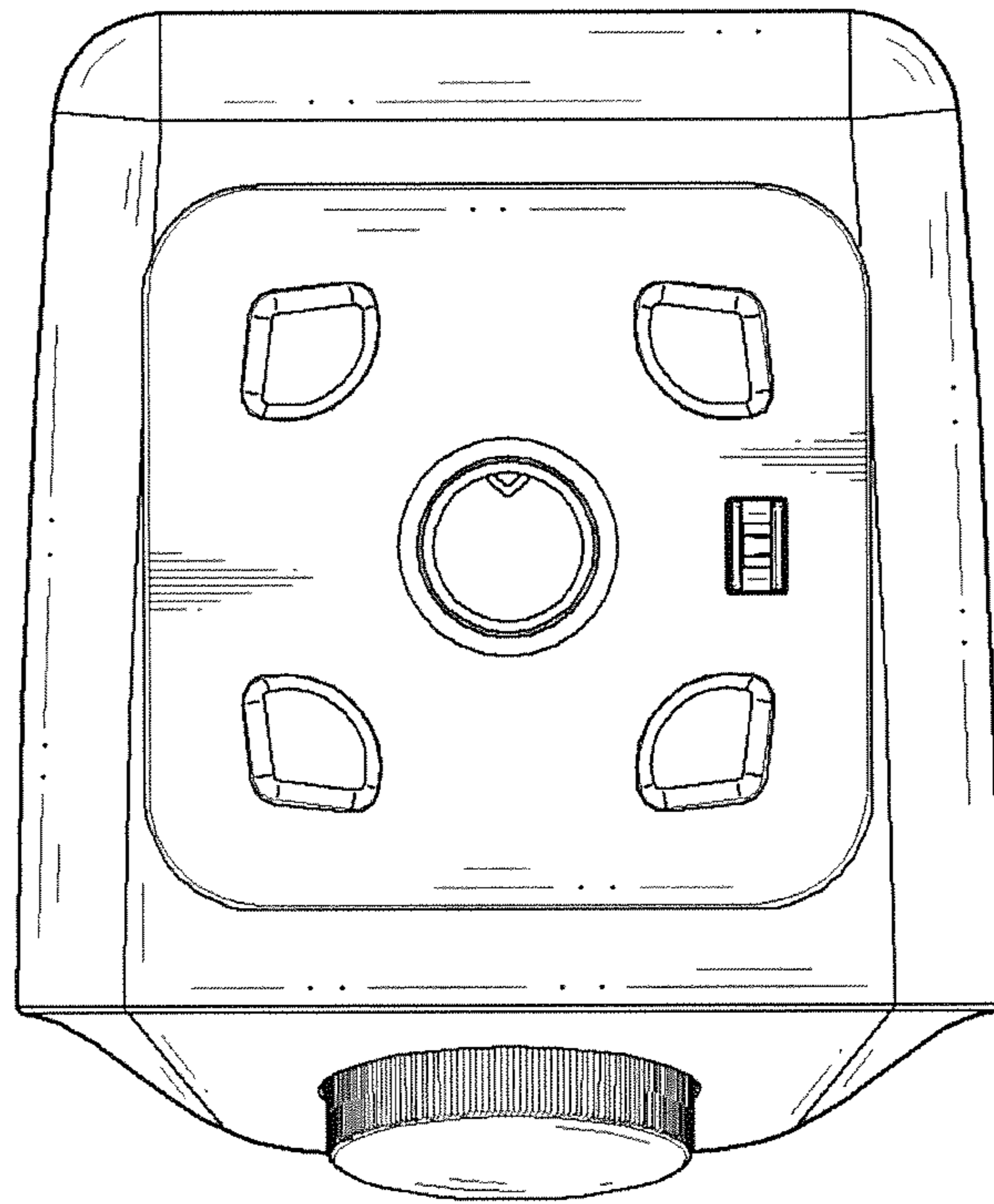


FIG.6

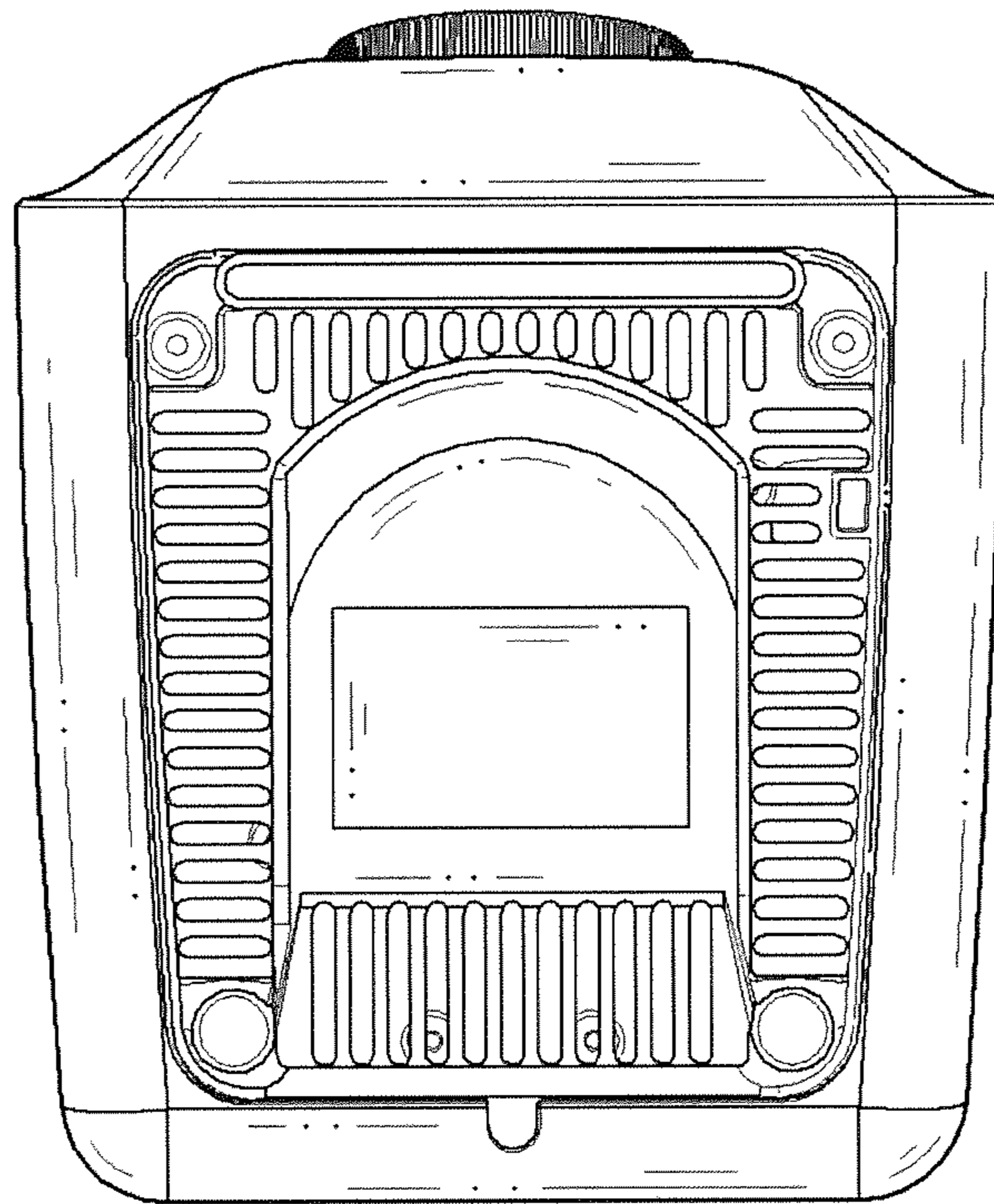


FIG.7