



US00D745336S

(12) **United States Design Patent**
Rittfeldt et al.

(10) **Patent No.:** **US D745,336 S**

(45) **Date of Patent:** **** Dec. 15, 2015**

(54) **NAPKIN DISPENSER**

(71) Applicant: **SCA Hygiene Products AB**, Göteborg (SE)

(72) Inventors: **Mårten Rittfeldt**, Skanör (SE); **Viktor Berglin**, Malmö (SE); **Jens Andersson**, Växjö (SE); **Mariano Vozzi**, Malmö (SE)

(73) Assignee: **SCA HYGIENE PRODUCTS AB**, Gothenburg (SE)

(**) Term: **14 Years**

(21) Appl. No.: **29/493,077**

(22) Filed: **Jun. 5, 2014**

(30) **Foreign Application Priority Data**

Dec. 9, 2013 (EM) 001392252-0001/04

(51) **LOC (10) Cl.** **07-06**

(52) **U.S. Cl.**
USPC **D7/631**

(58) **Field of Classification Search**
USPC D7/631-634; D6/512, 515, 518;
211/49.1, 50, 51; 221/33, 36-44, 56,
221/58, 59, 61
CPC A47G 21/16; A47K 10/423; A47K 10/42;
A47K 10/421; A47K 10/425
See application file for complete search history.

(56) **References Cited**

U.S. PATENT DOCUMENTS

D371,708 S * 7/1996 Haley D6/518
6,257,443 B1 * 7/2001 LaCount A47K 10/427
221/35
6,585,129 B2 * 7/2003 Moody A47K 10/427
221/44
D552,428 S * 10/2007 Zeiron D7/631

D571,159 S * 6/2008 Pommier D7/631
D604,996 S * 12/2009 Kuehneman D7/631
D611,744 S * 3/2010 Mayer D6/518
D635,805 S * 4/2011 Pleyber D6/518
D648,187 S * 11/2011 Kuehneman D7/631
2003/0019880 A1 * 1/2003 Timmers A47K 10/427
221/47
2005/0150898 A1 * 7/2005 Young B65D 83/0811
221/53

* cited by examiner

Primary Examiner — Terry Wallace

(74) *Attorney, Agent, or Firm* — Buchanan Ingersoll & Rooney PC

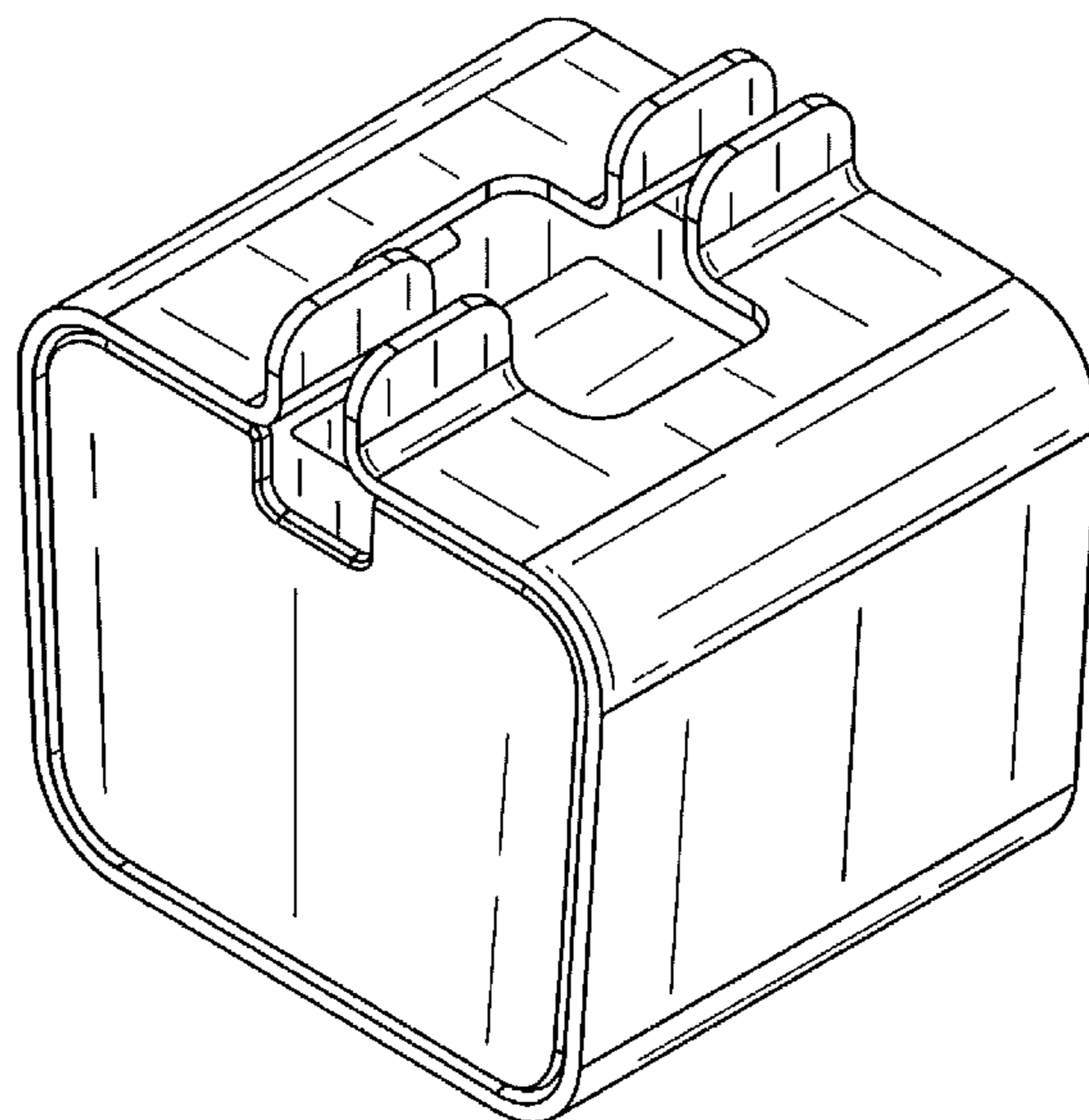
(57) **CLAIM**

The ornamental design for a napkin dispenser, as shown and described.

DESCRIPTION

FIG. 1 is a top plan view of a napkin dispenser showing a first embodiment of our new design.
FIG. 2 is a bottom view thereof.
FIG. 3 is a side elevational view thereof.
FIG. 4 is a side elevational view thereof showing a side opposite that shown in FIG. 3.
FIG. 5 is a front elevational view thereof.
FIG. 6 is a rear elevational view thereof.
FIG. 7 is a perspective view thereof.
FIG. 8 is a top plan view of a napkin dispenser showing a second embodiment of our new design.
FIG. 9 is a bottom view thereof.
FIG. 10 is a side elevational view thereof.
FIG. 11 is a side elevational view thereof showing a side opposite that shown in FIG. 10.
FIG. 12 is a front elevational view thereof.
FIG. 13 is a rear elevational view thereof; and,
FIG. 14 is a perspective view thereof.

1 Claim, 10 Drawing Sheets



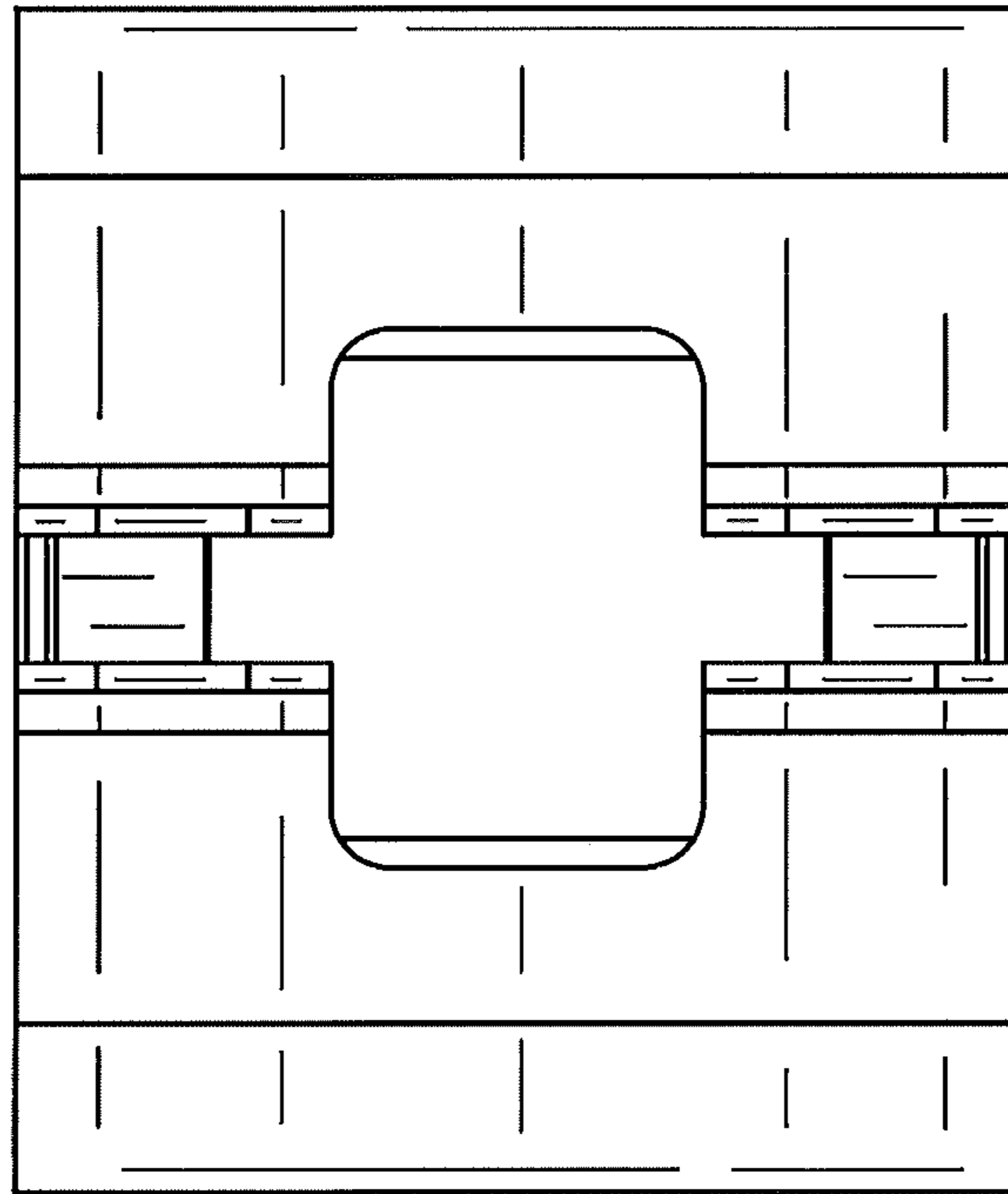


FIG. 1

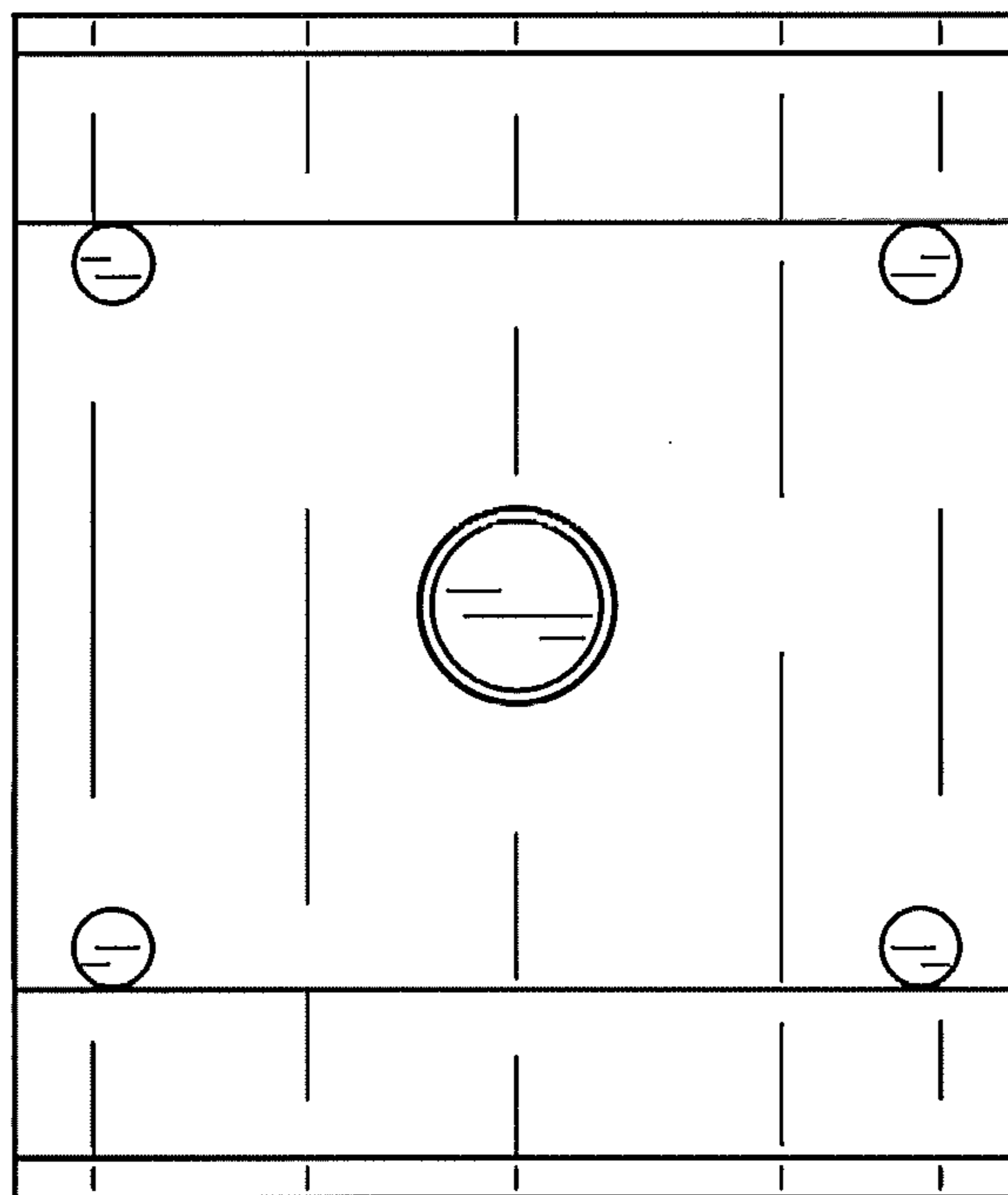


FIG. 2

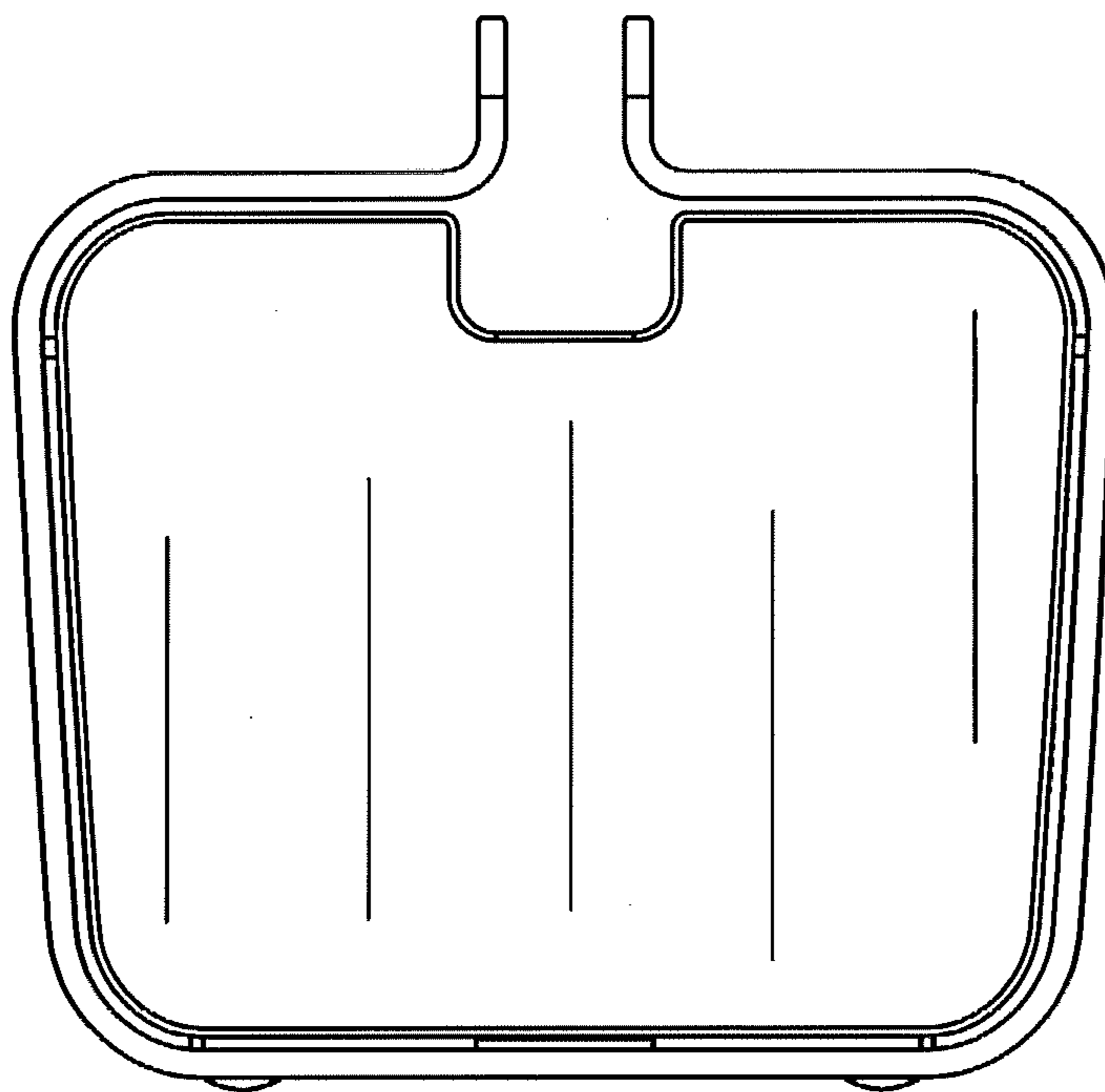


FIG. 3

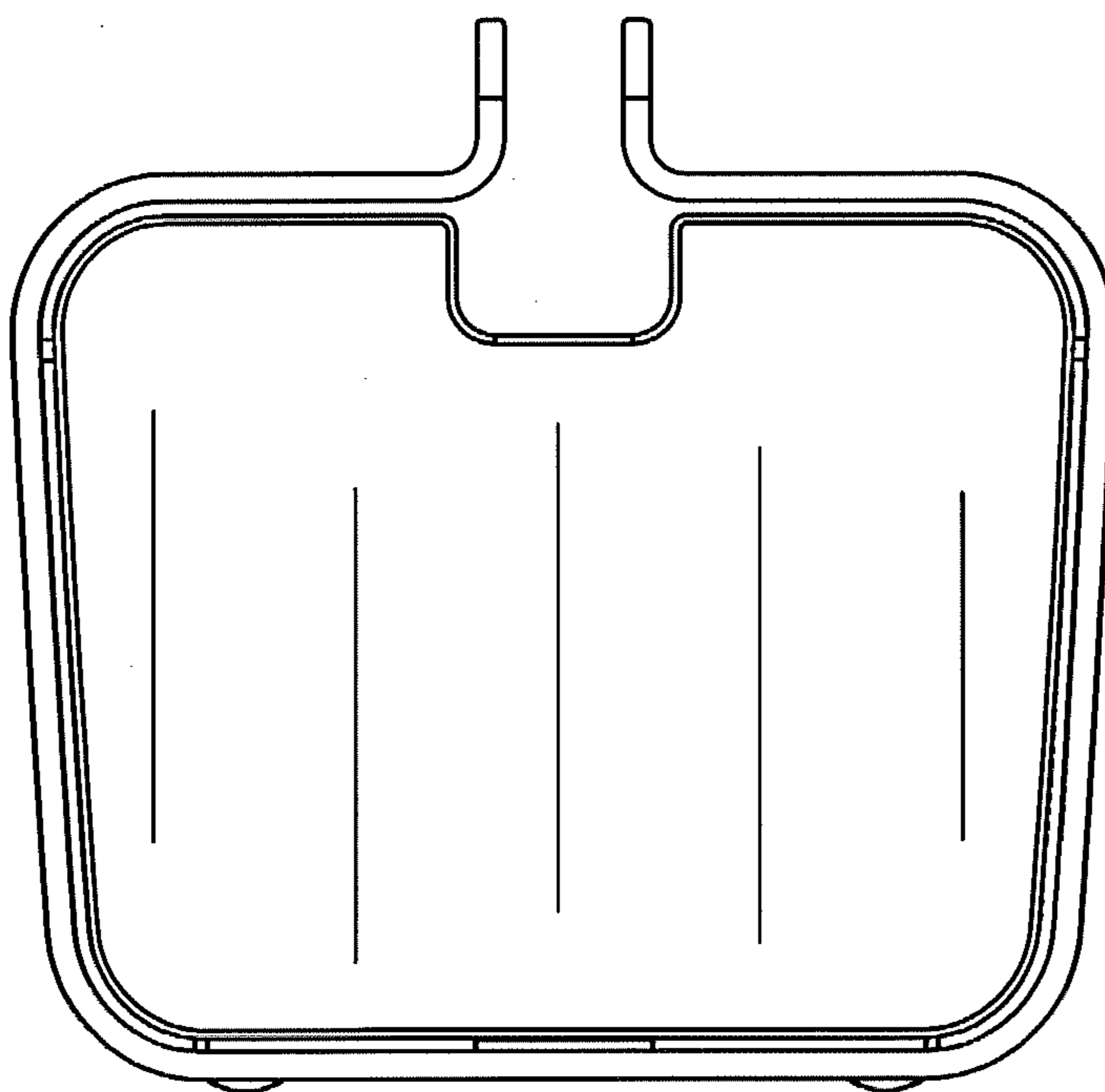


FIG. 4

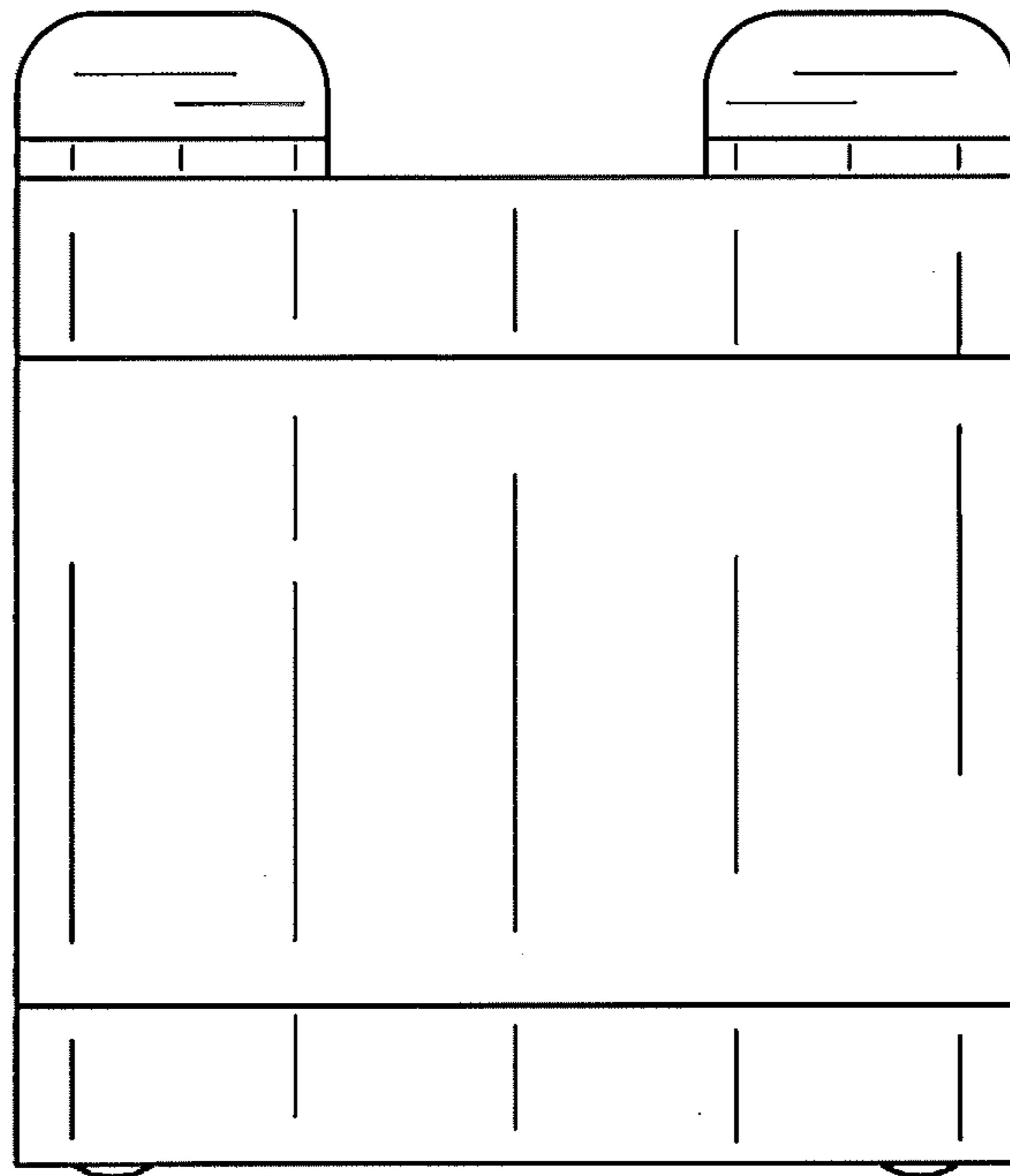


FIG. 5

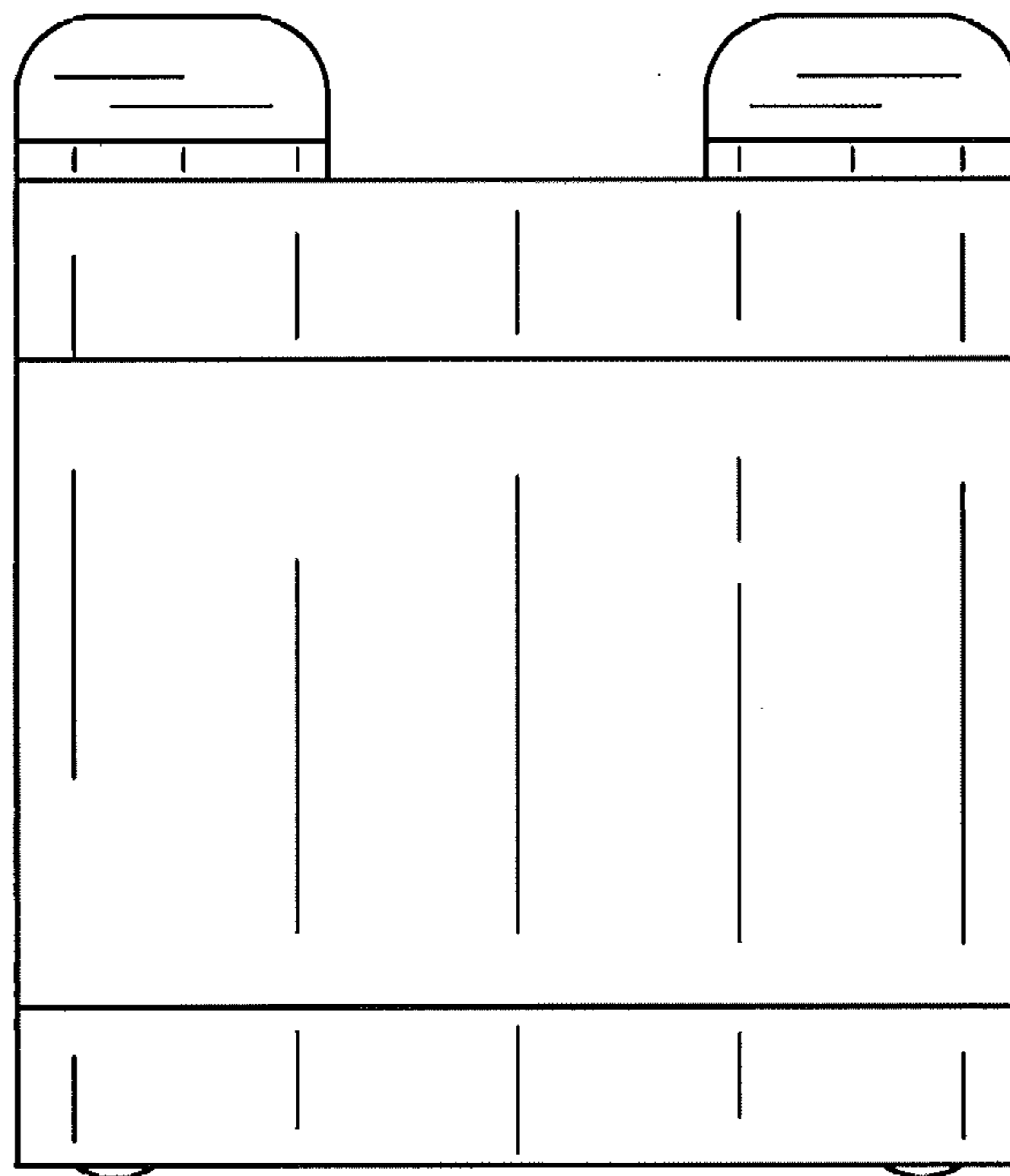


FIG. 6

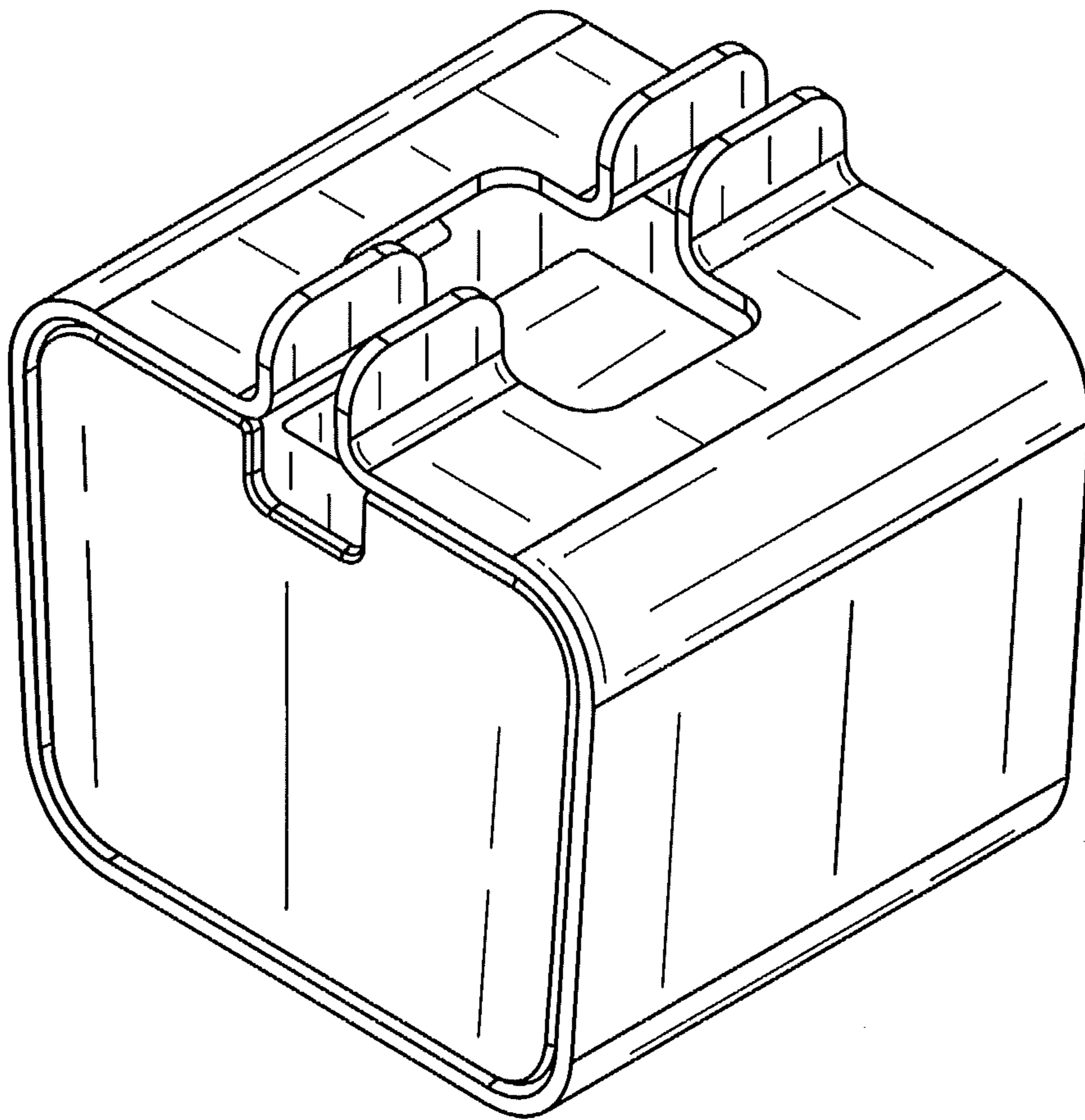


FIG. 7

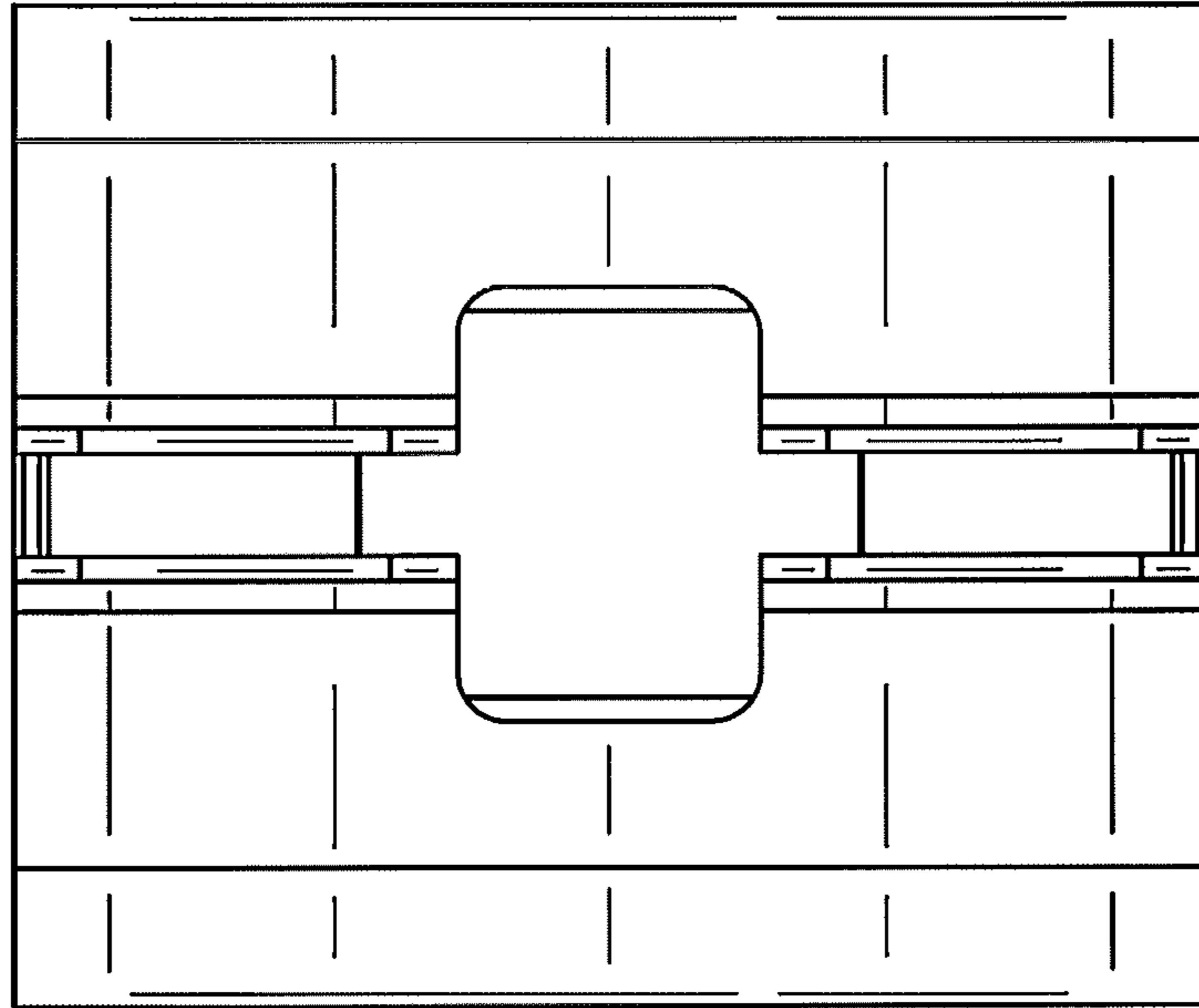


FIG. 8

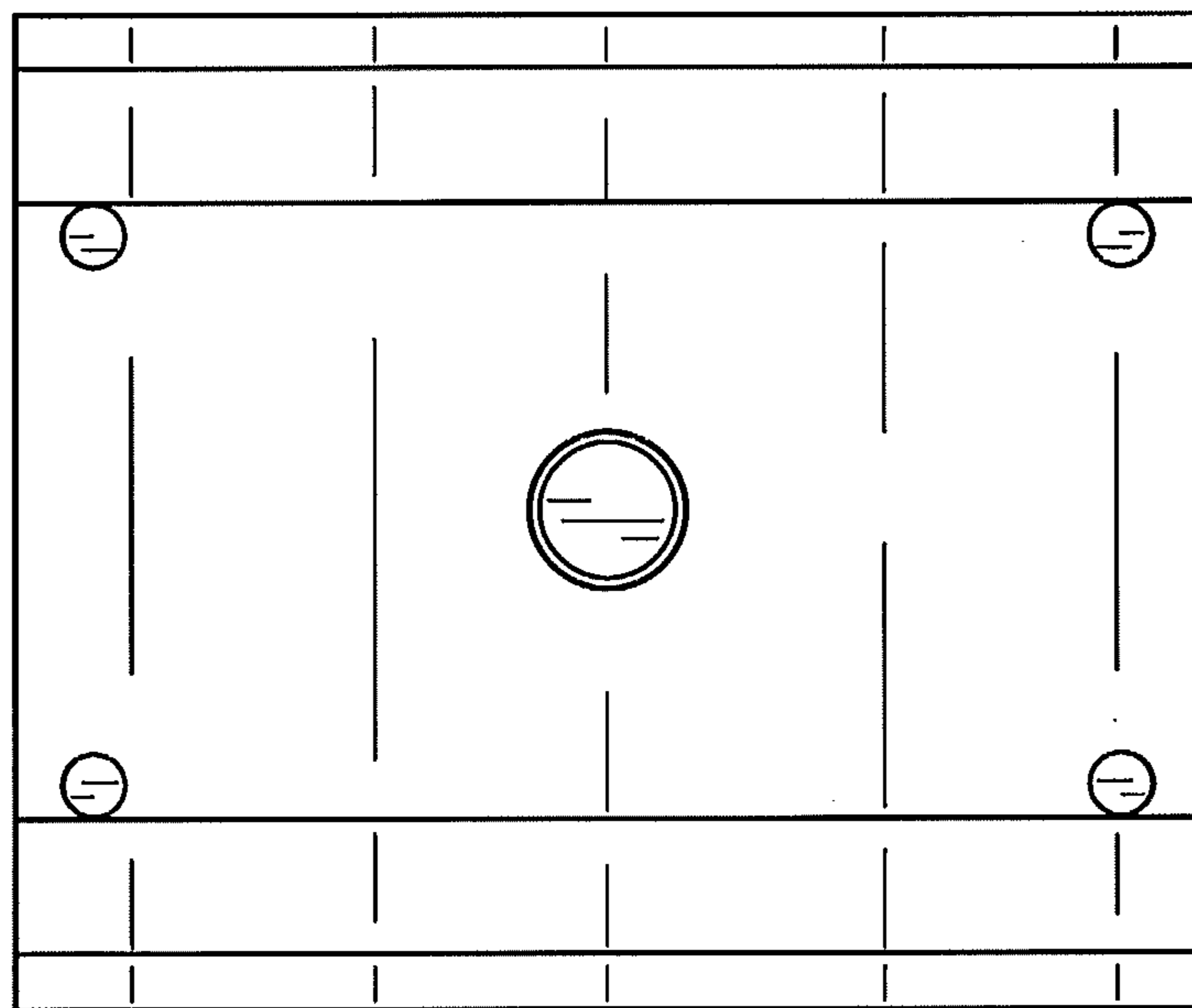


FIG. 9

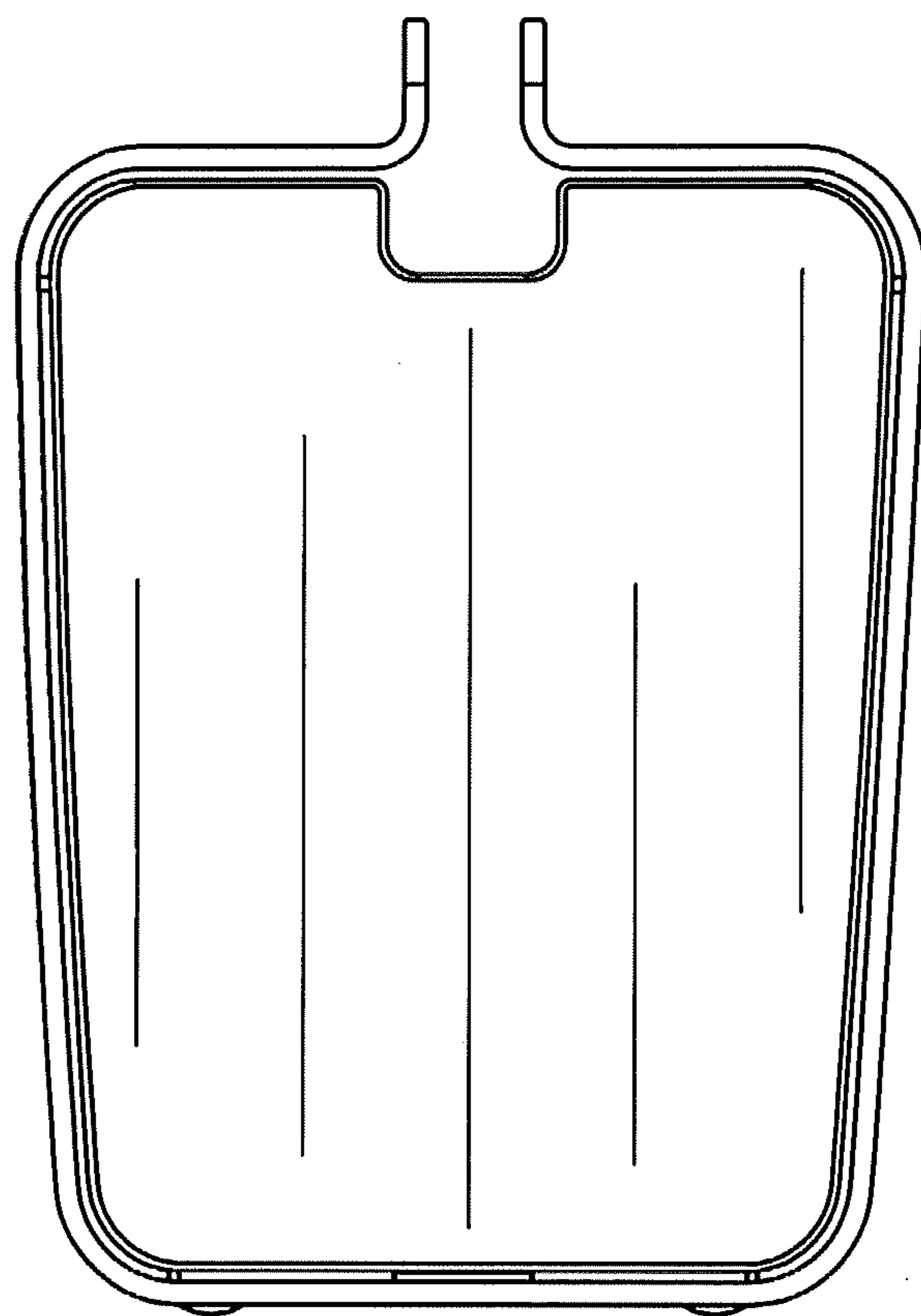


FIG. 10

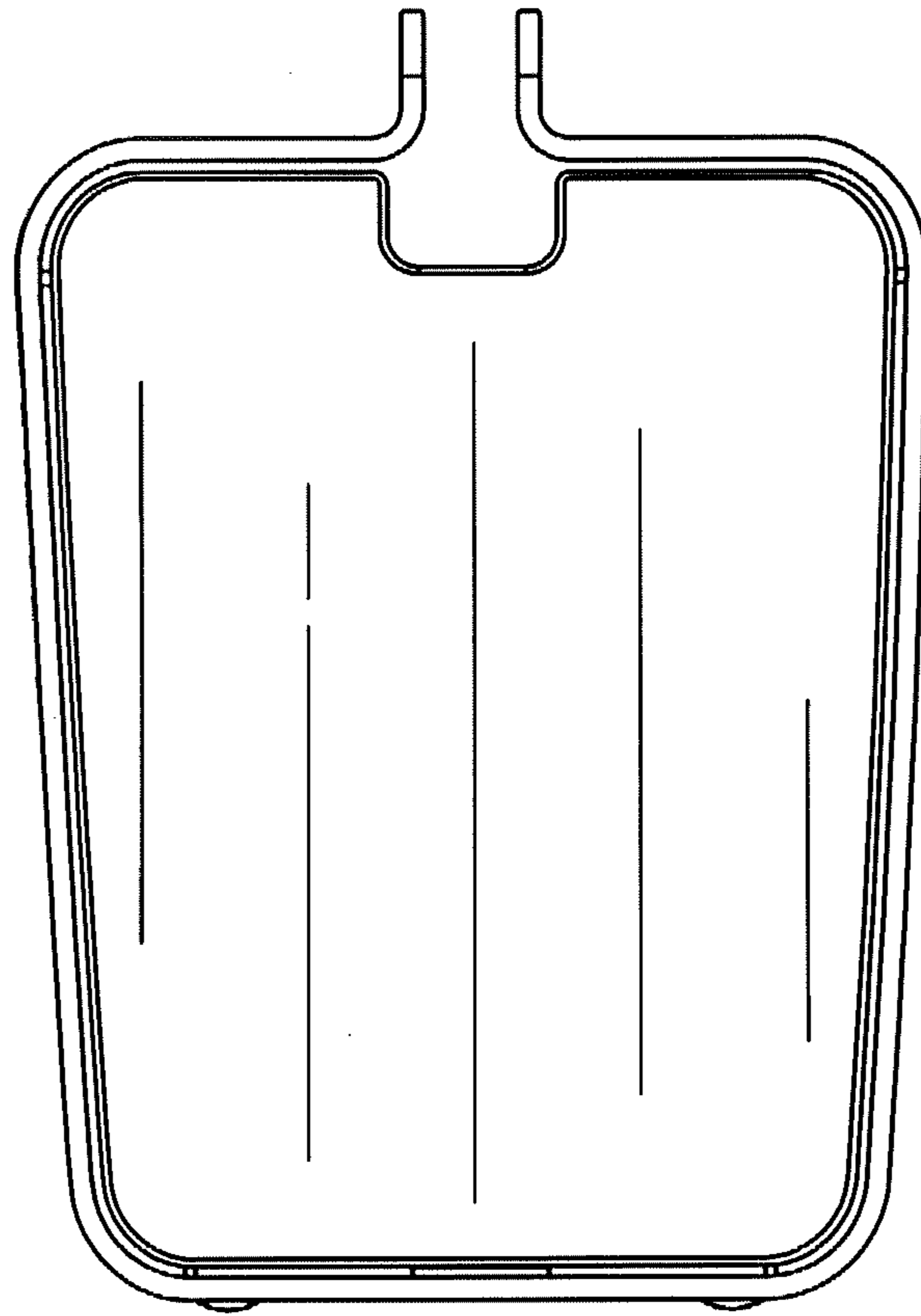


FIG. 11

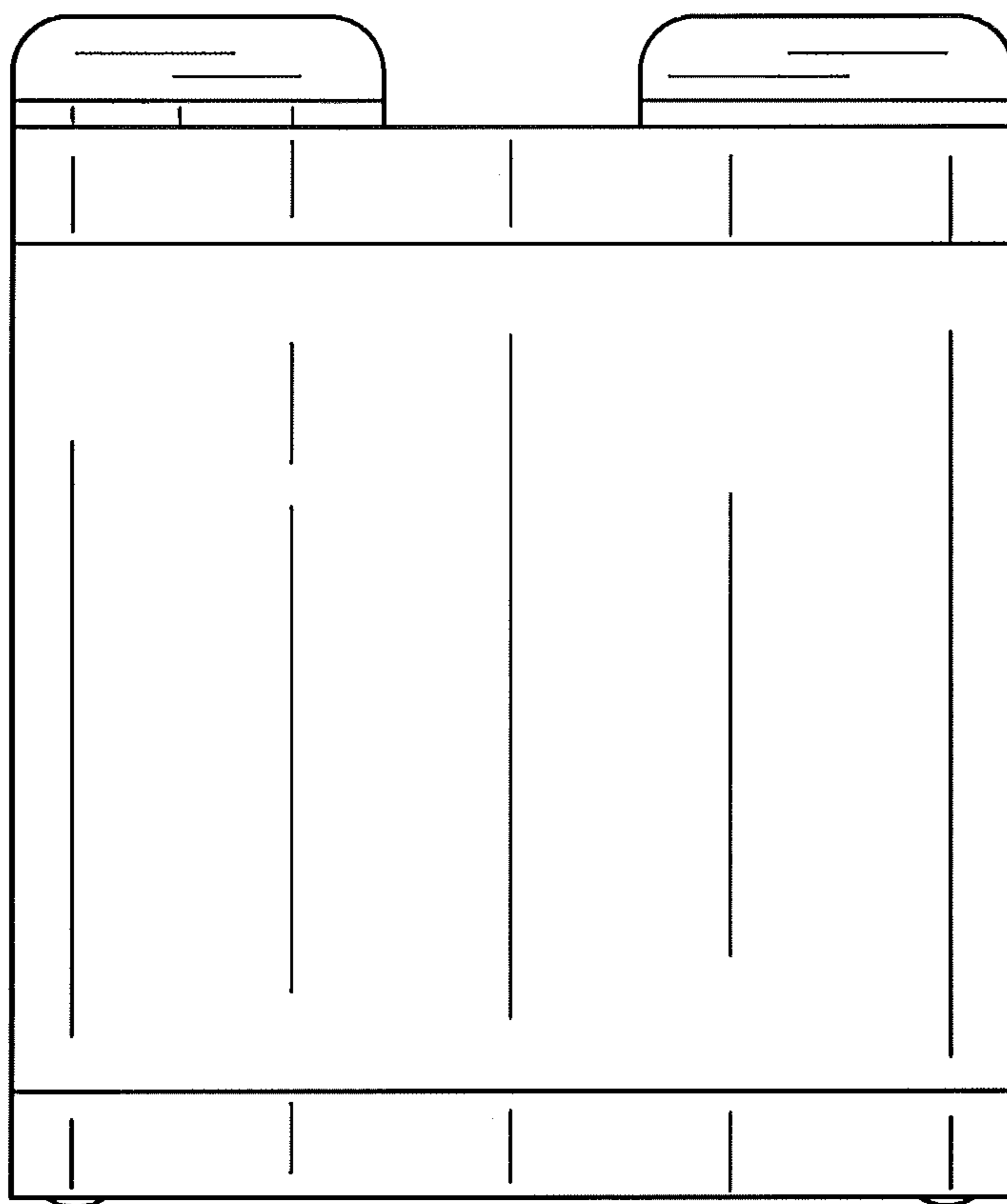


FIG. 12

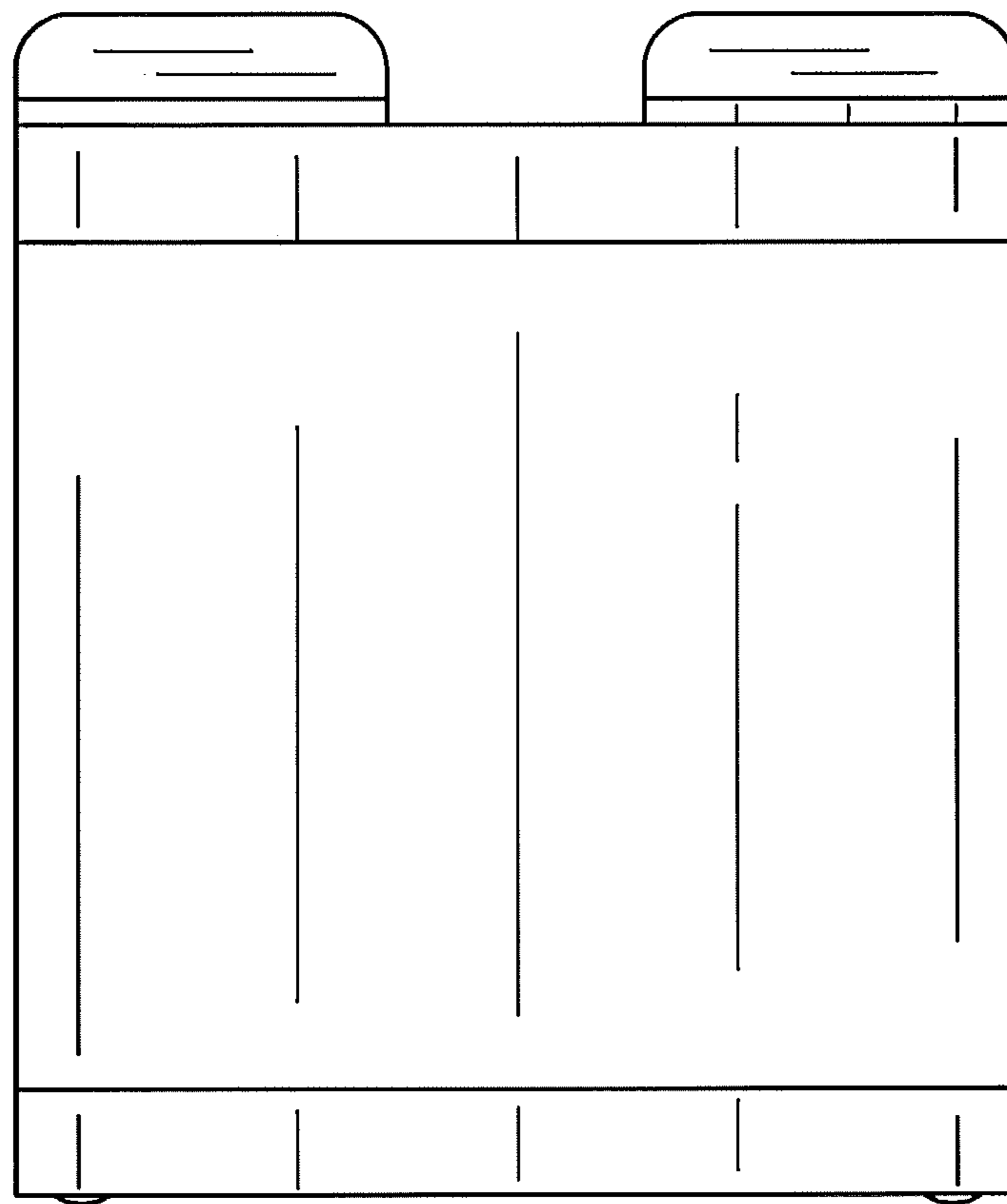


FIG. 13

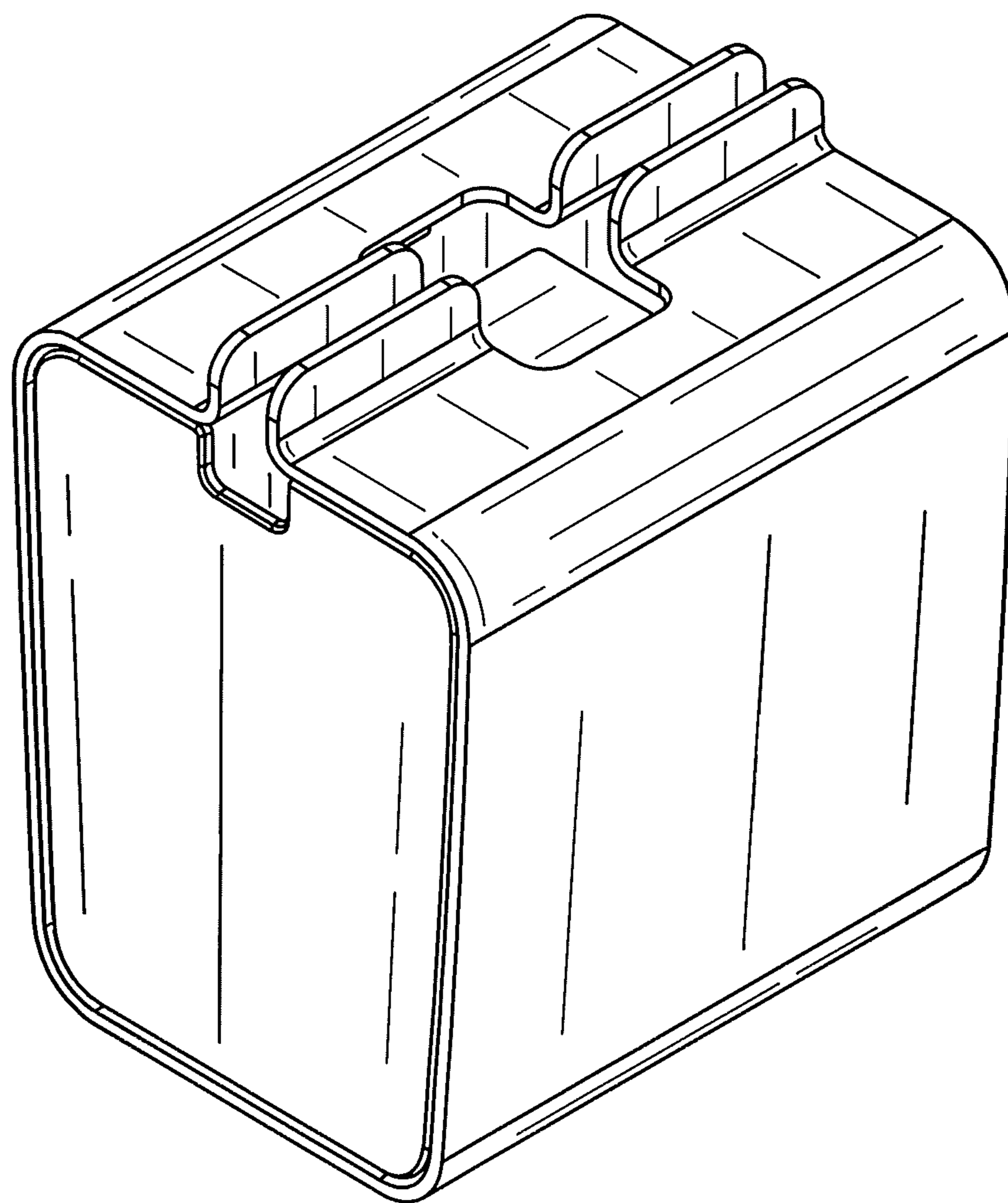


FIG. 14