



US00D745335S

(12) **United States Design Patent**
Kyle et al.

(10) **Patent No.:** **US D745,335 S**

(45) **Date of Patent:** **** Dec. 15, 2015**

(54) **CONTAINER**

(71) Applicant: **Cool Gear International, LLC**,
Plymouth, MA (US)

(72) Inventors: **Troy Kyle**, Pembroke, MA (US); **Donna Roth**, Duxbury, MA (US); **John D. Mason**, Brockton, MA (US)

(73) Assignee: **Cool Gear International, LLC**,
Plymouth, MA (US)

(**) Term: **14 Years**

(21) Appl. No.: **29/491,219**

(22) Filed: **May 19, 2014**

Related U.S. Application Data

(62) Division of application No. 29/416,388, filed on Mar. 21, 2012, now Pat. No. Des. 705,014.

(51) **LOC (10) Cl.** **07-01**

(52) **U.S. Cl.**
USPC **D7/629**

(58) **Field of Classification Search**
USPC D7/672, 601, 550.1, 551.1, 551.2, D7/551.3, 552.1, 552.2, 553.1, 553.2, D7/553.3, 553.4, 553.5, 553.7, 553.8, D7/554.1, 554.3, 554.4, 555, 557, 602, D7/629, 630, 538-542, 612-615, 584, 586, D7/587, 392.1, 709, 502, 608, 622; D9/424-432, 414-423; D3/273, D3/201-206, 276, 283, 284, 295, 274, D3/302; 229/107, 406, 120, 125.17, 4.5, 229/938; 220/669-673, 675, 574-575, 220/573.1, 4.21, 660, 326, 236, 780-795, 220/796-806, 4.24, 288, 260, 266, 306, 220/352, 356; 190/109, 110; 426/106; 206/216, 217, 541-550, 223, 467
CPC B65D 1/00; B65D 3/00; B65D 3/10; B65D 3/24; B65D 3/268; B65D 11/00; B65D 11/02; B65D 13/00; B65D 15/00;

B65D 15/02; B65D 15/16; B65D 21/00;
B65D 75/327; B65D 81/26; A47J 47/00;
A47J 39/006; F25D 2303/0845

See application file for complete search history.

(56) **References Cited**

U.S. PATENT DOCUMENTS

D256,994 S * 9/1980 MacGregor D3/205
4,412,630 A * 11/1983 Daenen 220/792
D328,030 S * 7/1992 Dumbrell D3/302
6,048,558 A * 4/2000 Feldmeier et al. 426/120

(Continued)

Primary Examiner — Ian Simmons

Assistant Examiner — Shannon Morgan

(74) *Attorney, Agent, or Firm* — Mintz Levin Cohn Ferris Glovsky and Popeo, P.C.; Steve Jensen; Richard B. Emmons

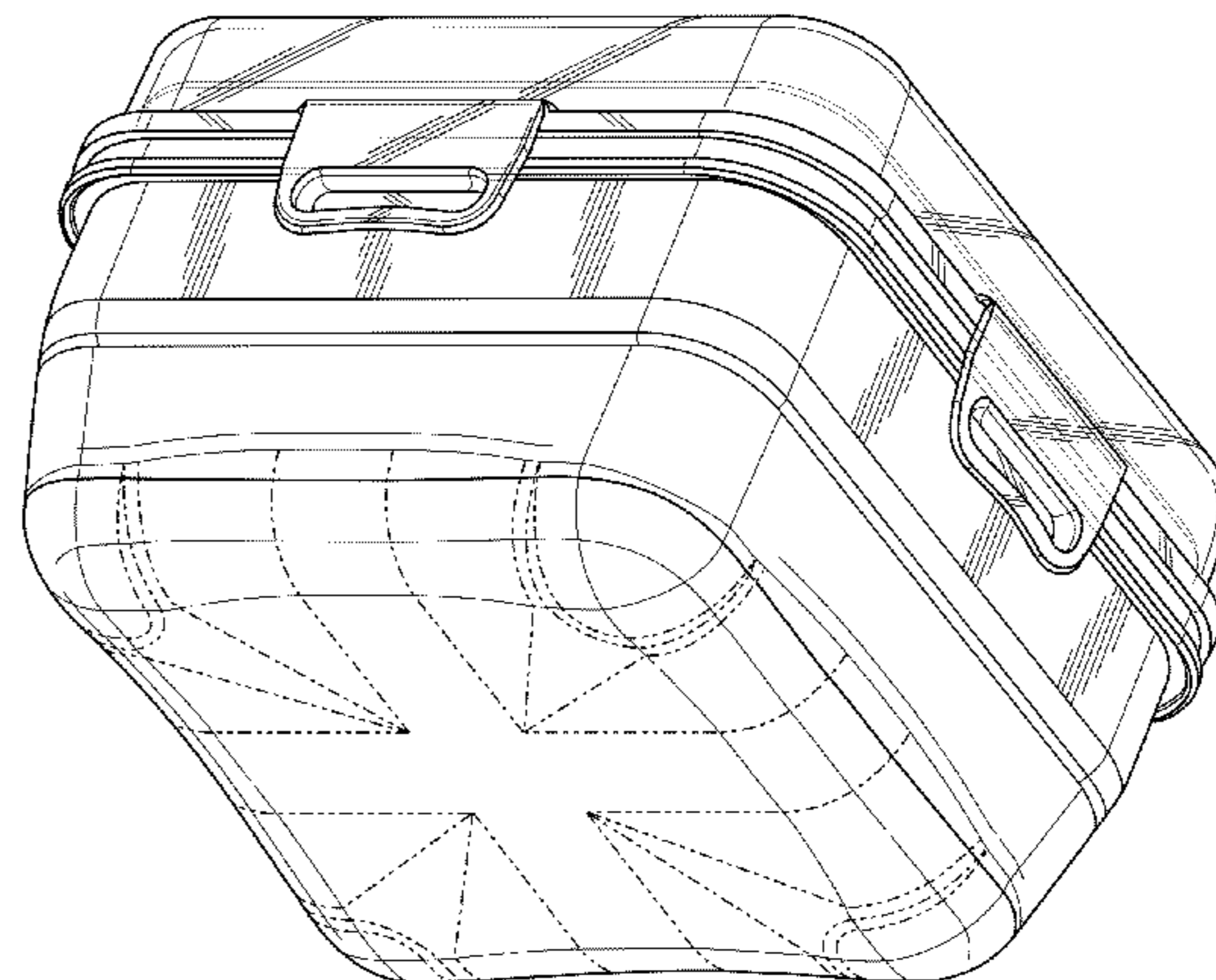
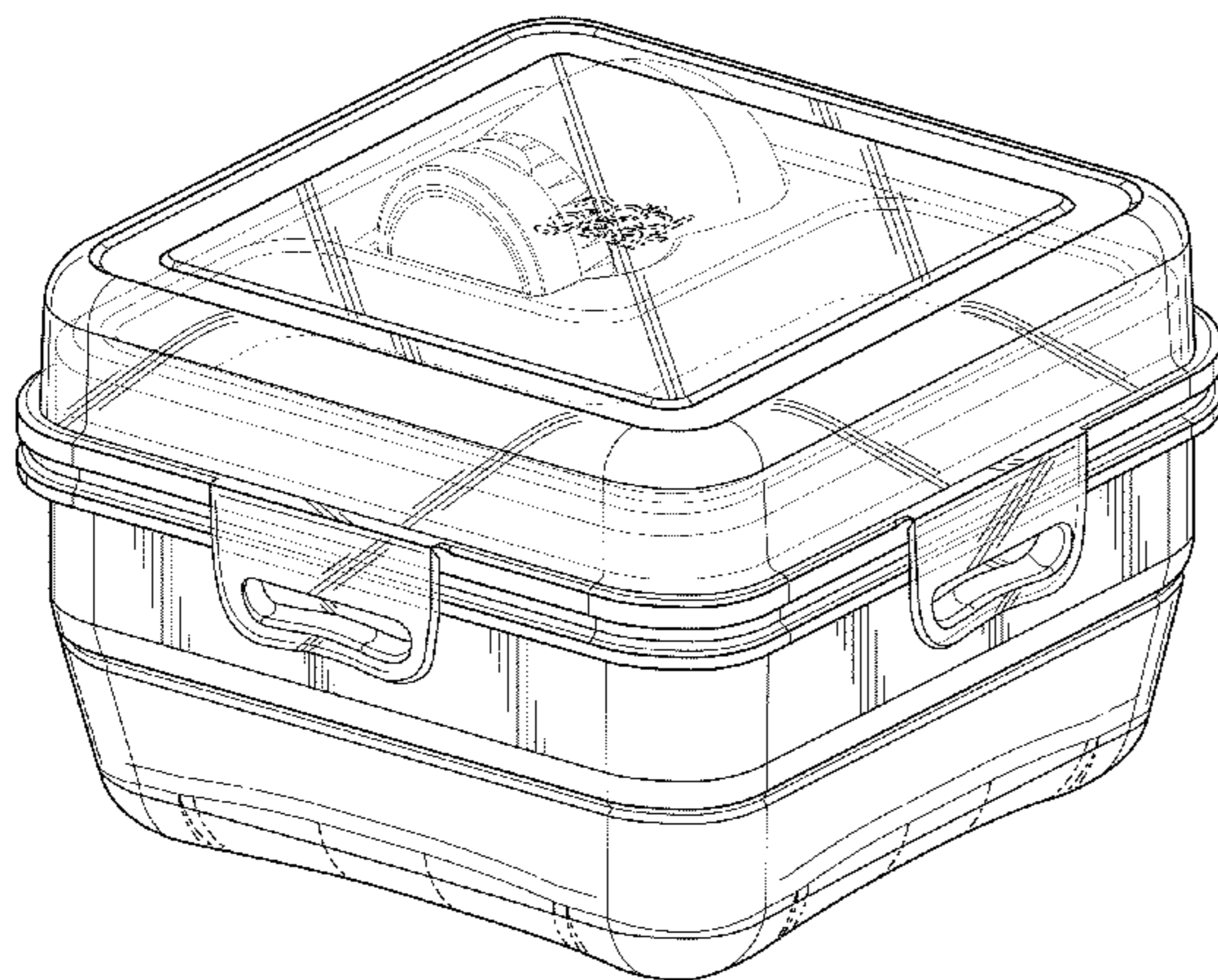
(57) **CLAIM**

The ornamental design for a container, as shown and described.

DESCRIPTION

FIG. 1 is a top, front, and right side perspective view of a container showing our new design;
FIG. 2 is a bottom, front, and right side perspective view thereof;
FIG. 3 is a front side elevational view thereof;
FIG. 4 is a back side elevational view thereof;
FIG. 5 is a right side elevational view thereof (the left side elevational view being identical);
FIG. 6 is a top plan view thereof; and,
FIG. 7 is a bottom plan view thereof.
The broken lines in FIGS. 1-7 immediately adjacent to the claimed subject matter along the bottom surface and lower portion of the sides of the container represent surface ornamentation, and form no part of the claimed design. The broken lines in FIGS. 1 and 6 represent portions of the container that form no part of the claimed design.

1 Claim, 7 Drawing Sheets



(56)

References Cited

U.S. PATENT DOCUMENTS

D493,073 S *	7/2004	Kim	D7/629	D652,686 S *	1/2012	Lindsay et al.	D7/629
6,793,096 B1 *	9/2004	Seok	220/788	D656,369 S *	3/2012	Everson	D7/629
D514,439 S *	2/2006	Snedden et al.	D9/425	D657,204 S *	4/2012	Seehoff et al.	D7/629
D601,381 S *	10/2009	Stamper	D7/505	D660,092 S *	5/2012	Kyung	D7/629
D610,879 S *	3/2010	Kim	D7/629	D660,094 S *	5/2012	Kyung	D7/629
D615,821 S *	5/2010	Stamper	D7/541	D660,659 S *	5/2012	Cohen	D7/629
D632,931 S *	2/2011	Roth et al.	D7/629	D679,508 S *	4/2013	Rivera	D4/199
D636,641 S *	4/2011	Smyers	D7/629	D691,854 S *	10/2013	Dabney-Wiggs	D7/551.1
D646,127 S *	10/2011	Lindsay et al.	D7/629	D705,014 S *	5/2014	Kyle et al.	D7/629
D651,477 S *	1/2012	Nie	D7/629	2002/0008043 A1 *	1/2002	Gunter	206/278
D652,265 S *	1/2012	Lindsay et al.	D7/629	2004/0045314 A1 *	3/2004	Roth et al.	62/457.2
					2004/0166207 A1 *	8/2004	Vincent et al.	426/106
					2005/0035125 A1 *	2/2005	Bae	220/326
					2010/0006579 A1 *	1/2010	Roth et al.	220/592.01

* cited by examiner

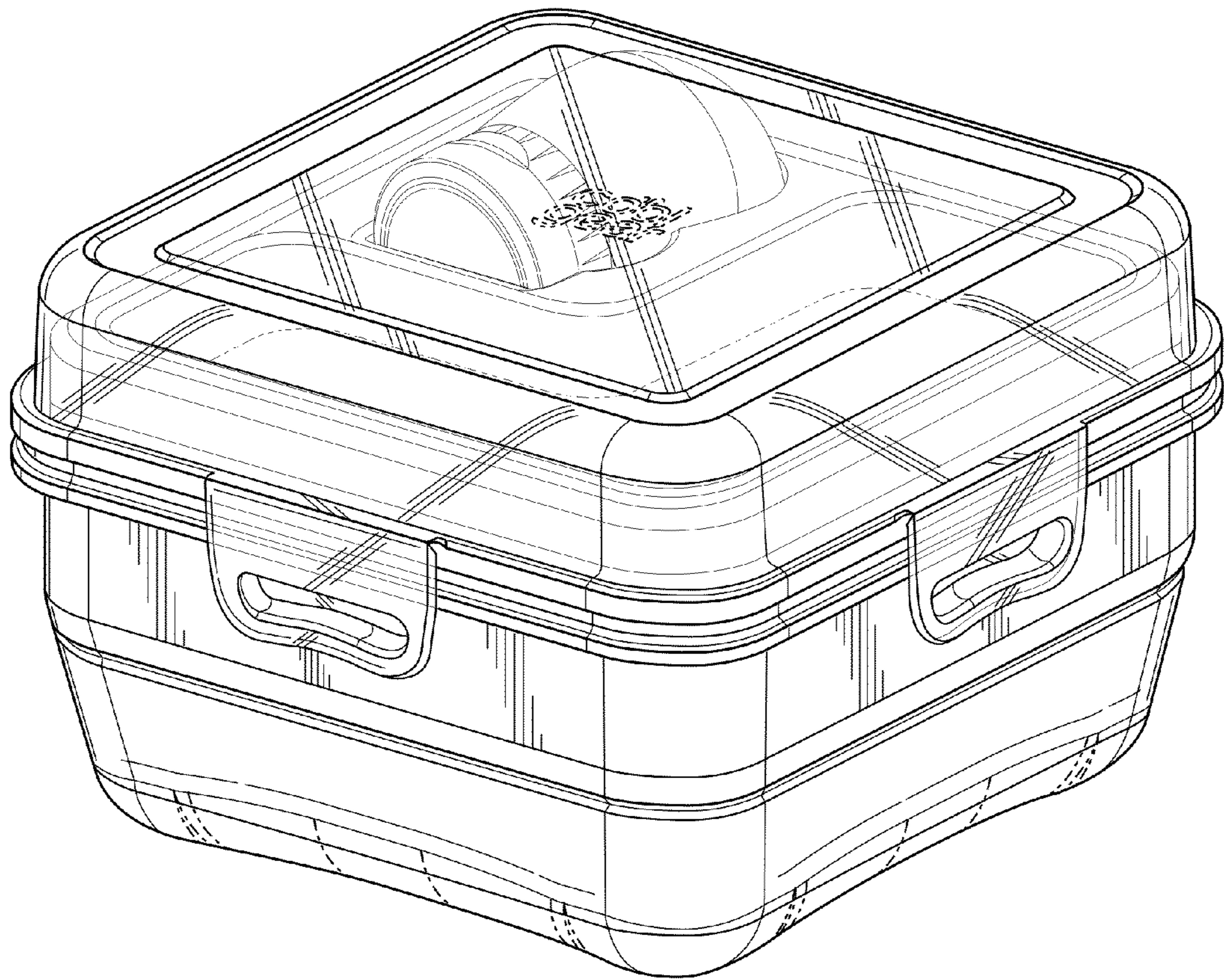


FIG. 1

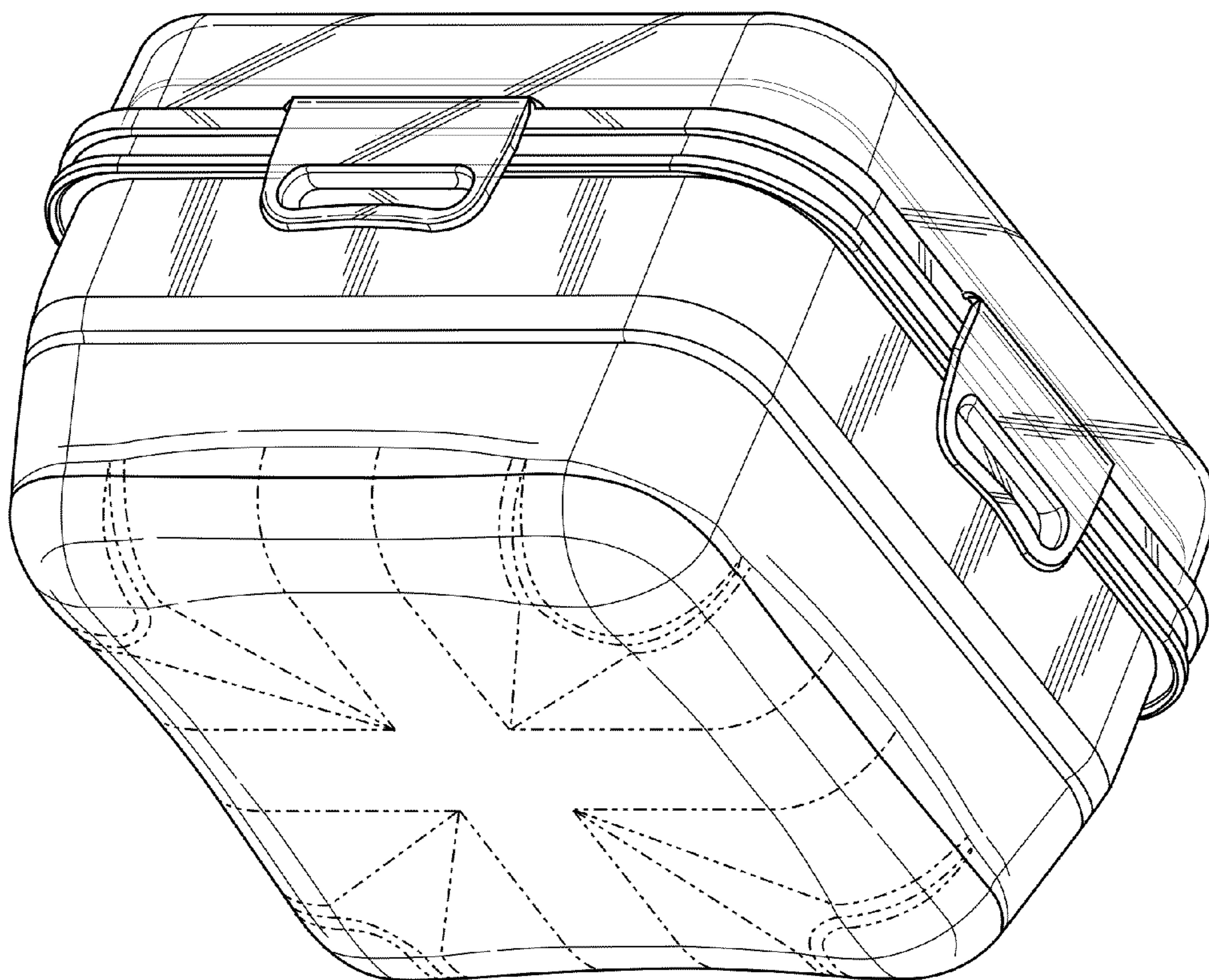


FIG. 2

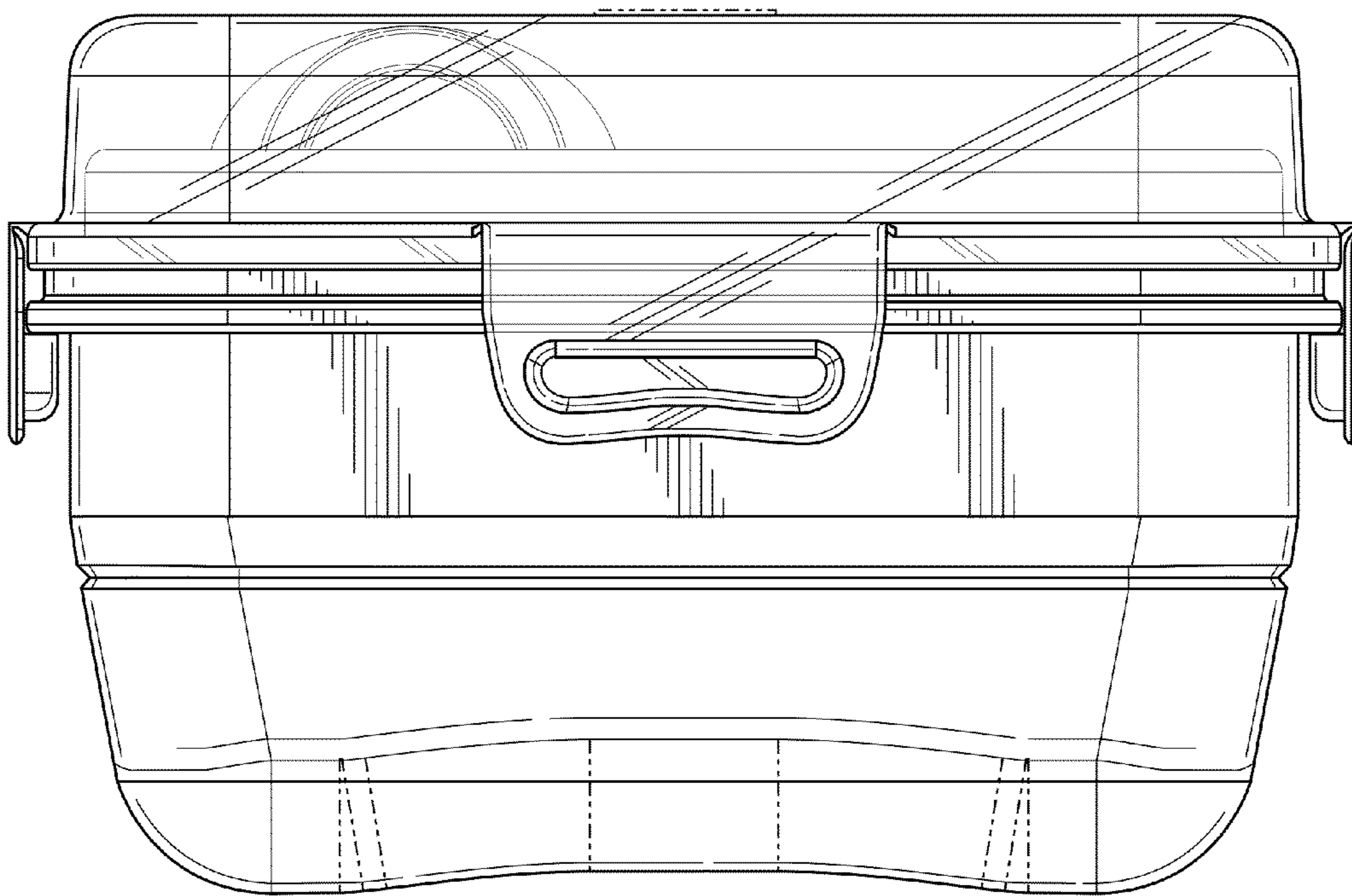


FIG. 3

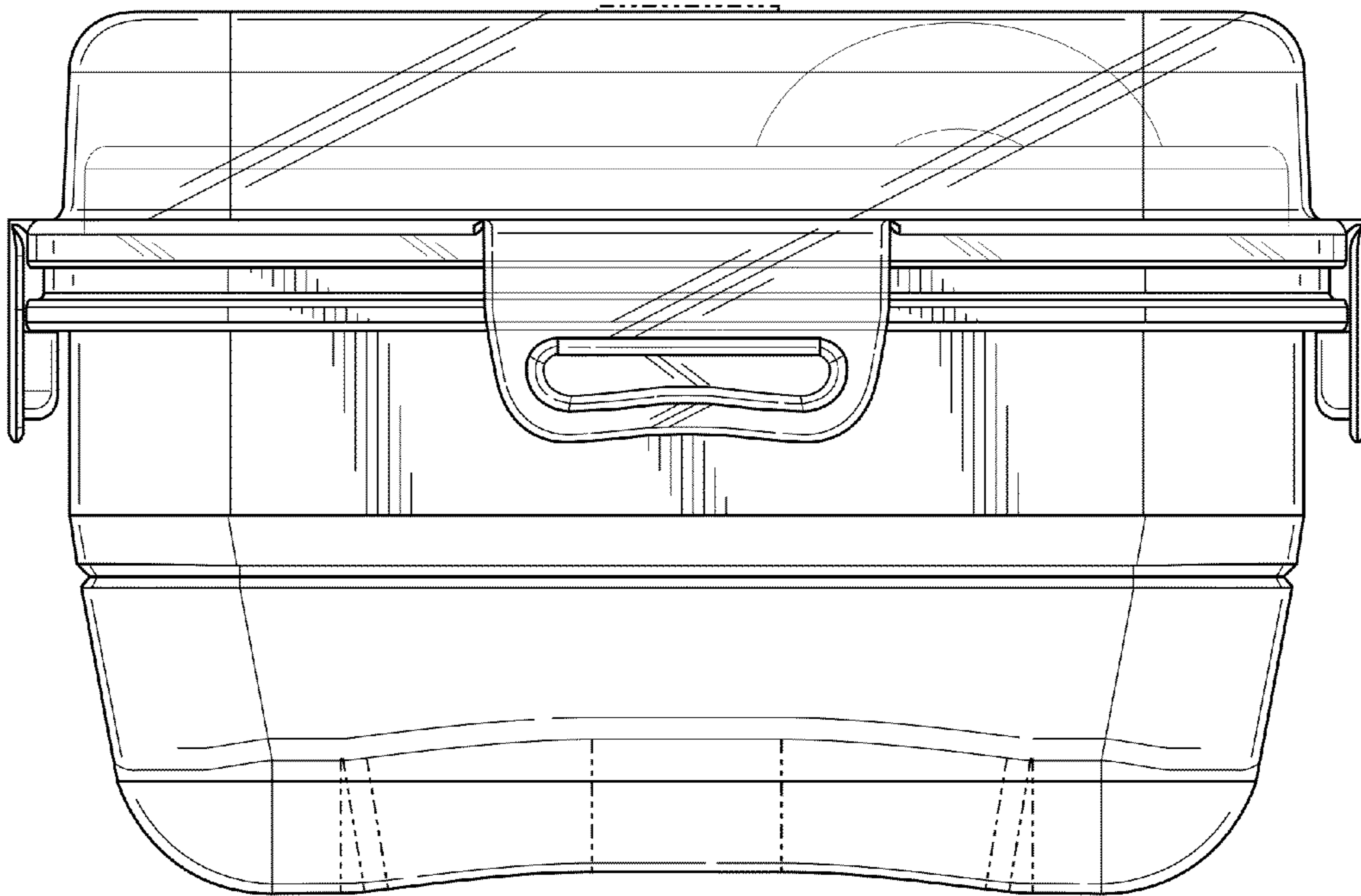


FIG. 4

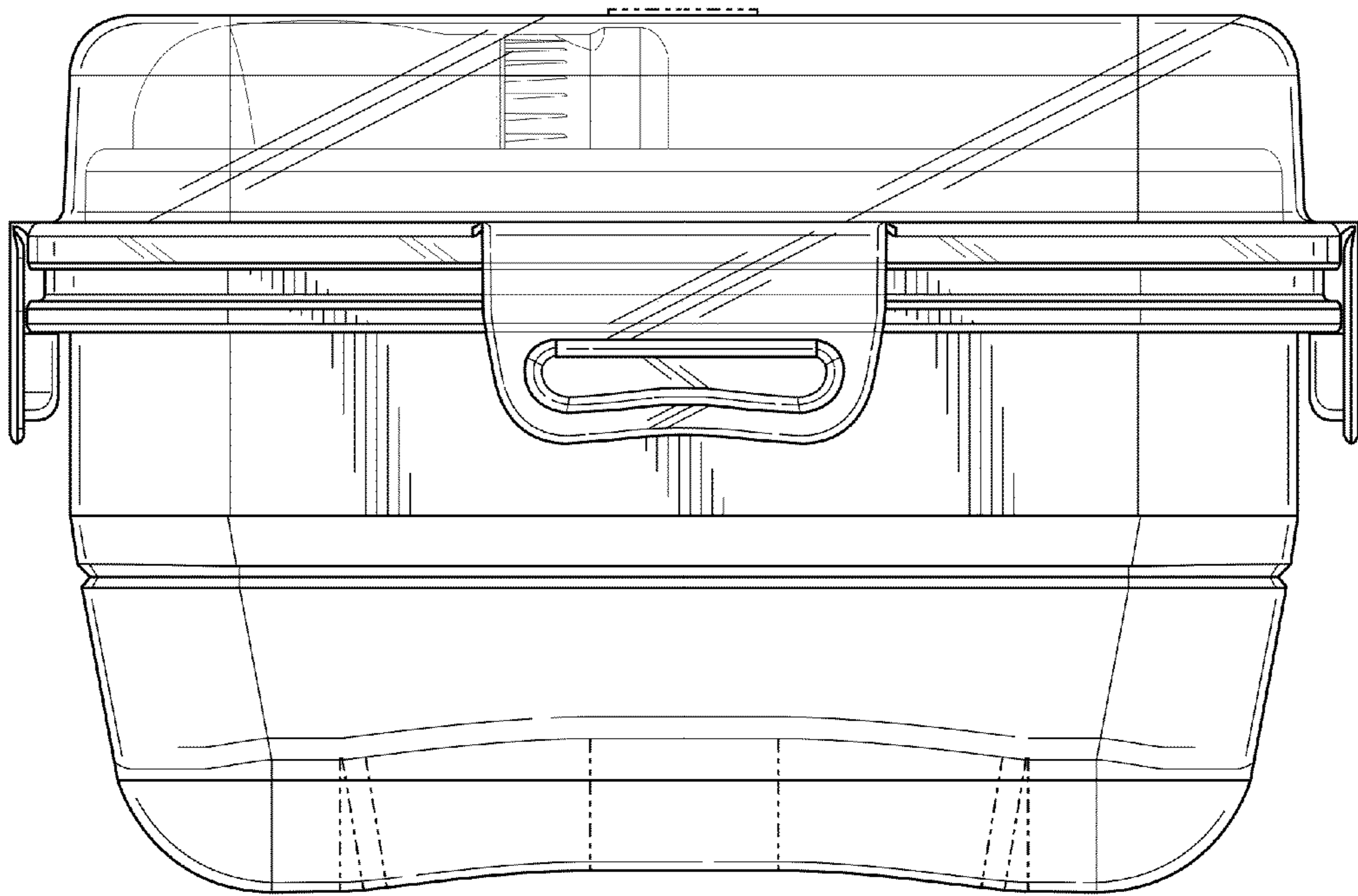


FIG. 5

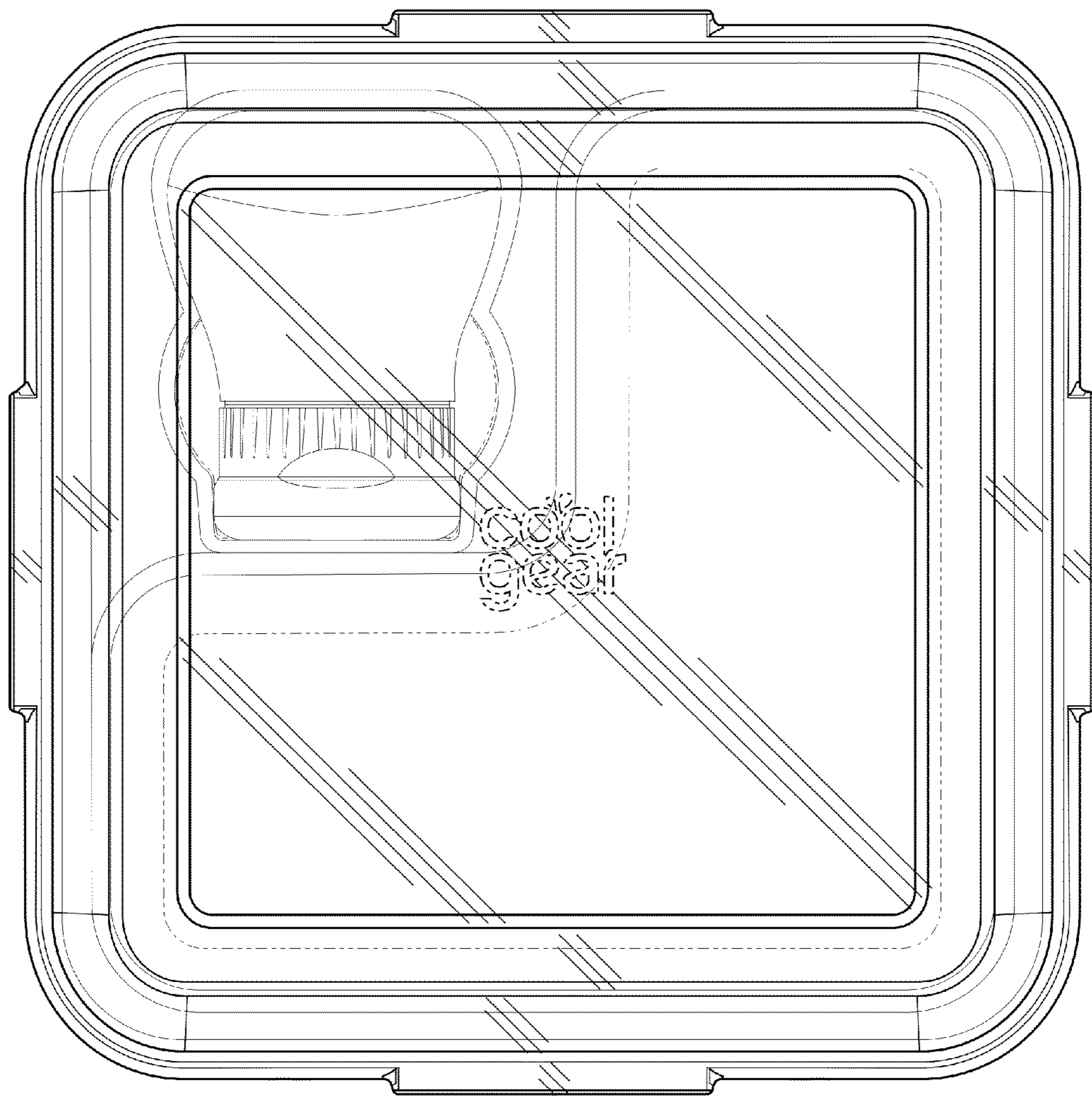


FIG. 6

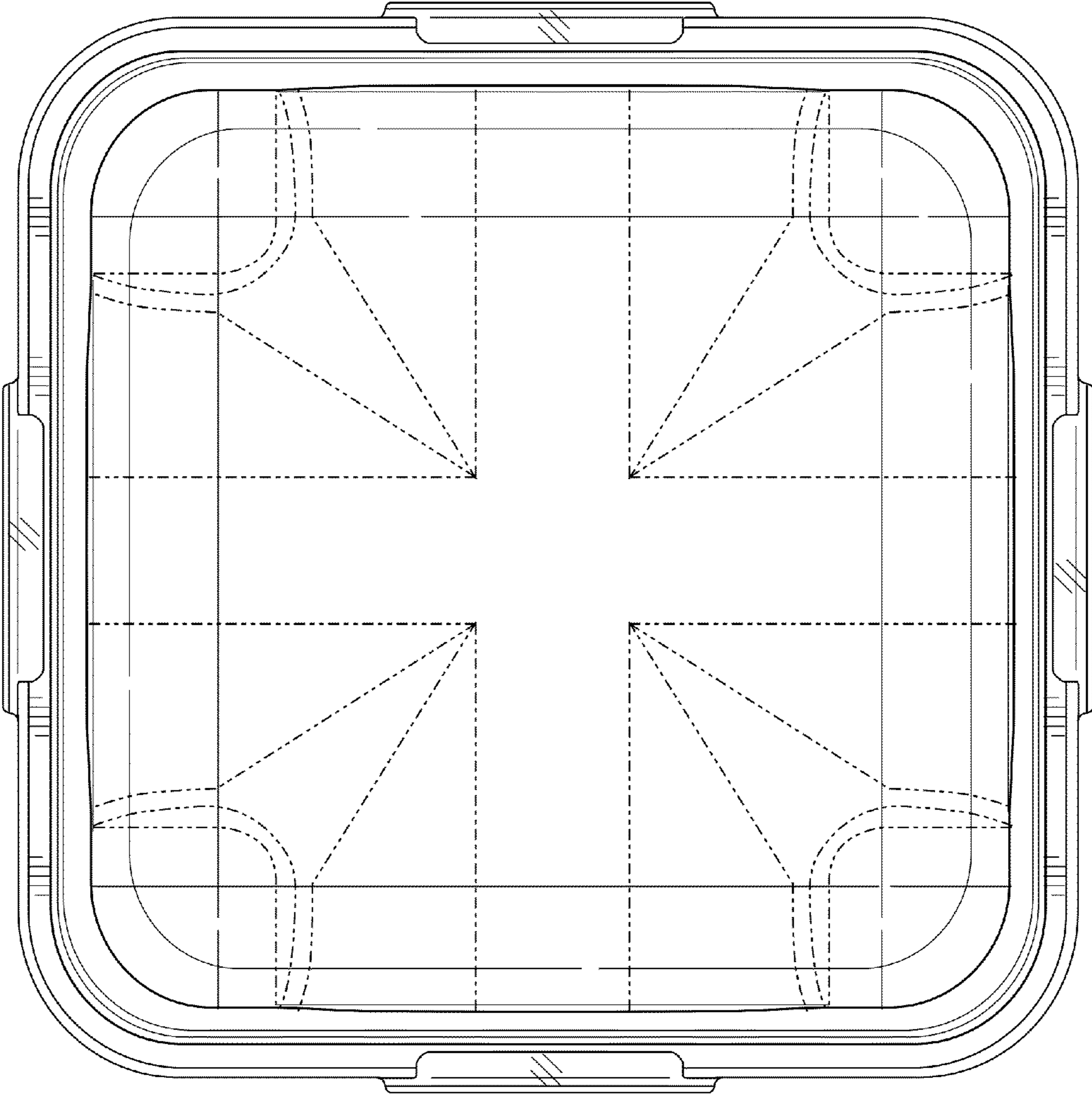


FIG. 7