



US00D745333S

(12) **United States Design Patent**
Greenwood

(10) **Patent No.:** **US D745,333 S**
(45) **Date of Patent:** **** Dec. 15, 2015**

- (54) **STORAGE CONTAINER**
- (71) Applicant: **Youcopia Products Inc.**, Chicago, IL (US)
- (72) Inventor: **Mark Greenwood**, Arlington Heights, IL (US)
- (73) Assignee: **YOUCOPIA PRODUCTS INC.**, Chicago, IL (US)
- (**) Term: **14 Years**
- (21) Appl. No.: **29/481,854**
- (22) Filed: **Feb. 11, 2014**
- (51) **LOC (10) Cl.** **07-06**
- (52) **U.S. Cl.**
USPC **D7/600.1**
- (58) **Field of Classification Search**
USPC D7/601, 600.1-600.4, 571-572, D7/576-577, 582-583, 602, 628, 631, 634, D7/637, 409, 504, 323, 590, 701-708; D6/315, 317, 319, 329, 673, 675, D6/675.2, 675.3, 675.5, 566, 567, D6/569-572, 574, 672, 682, 682.2, 682.4, D6/683-683.1, 677, 677.1, 672.2, 677.3, D6/677.5, 680, 680.1, 680.2, 680.3, 681, D6/681.1, 512, 513, 545, 547, 553; D19/90-92, 75, 78; 220/485, 491, 493, 220/487, 488, 490, 494; 211/11, 126.9, 211/133.5, 85.4, 41.11, 59.2-59.3, 90.03, 211/85.31, 85.26, 126.5, 134, 153, 211/186-188, 181.1, 74, 75, 60.1, 71.01, 211/13.1; 248/312, 235, 243, 219.1, 250, 248/176.1; 126/332; 312/306, 312, 317.1
CPC A47J 43/00; A47B 73/002; A47B 73/00; A47B 73/004; A47B 73/006; A47B 55/02; A47B 43/00; A47B 43/003; A47B 43/04; A47B 46/00; A47B 46/005; A47B 47/00; A47B 47/0008; A47B 47/0025; A47B 47/0058; A47B 47/0075; A47B 47/0083; A47B 47/02; A47B 47/021; A47B 47/03; A47B 47/04; A47B 55/00; A47B 57/00; A47B 67/00; A47B 67/02; A47B 71/00; A47B 75/00; A47B 77/00; A47B 77/02; A47B 77/16; A47B 2210/17; A47B 88/0411;

B65D 21/0211; A47F 5/00; A47F 5/0018; A47F 5/0043; A47F 5/005; A47F 5/0056; A47F 5/0062; A47F 5/0081; A47F 5/01; A47F 7/00; A47F 7/0007; A47F 7/0042; A47F 7/0057; A47F 7/0064; A47F 7/0071; A47F 5/0807; A47F 5/0876; A47F 5/0006; A47F 5/0012; A47F 5/04; A47F 5/05; A47F 5/06; A47F 1/00; A47F 1/04; A47F 3/00; F16M 11/38; A47L 15/50

See application file for complete search history.

(56) **References Cited**

U.S. PATENT DOCUMENTS

743,859 A * 11/1903 Goldsmith 206/564
D93,082 S * 8/1934 Wright D6/473

(Continued)

Primary Examiner — Ian Simmons

Assistant Examiner — Shannon Morgan

(74) *Attorney, Agent, or Firm* — Knechtel, Demeur & Samlan

(57) **CLAIM**

I claim the ornamental design for a storage container, as shown and described.

DESCRIPTION

FIG. 1 is a perspective view of a storage container showing the new design.

FIG. 2 is a top plan view thereof.

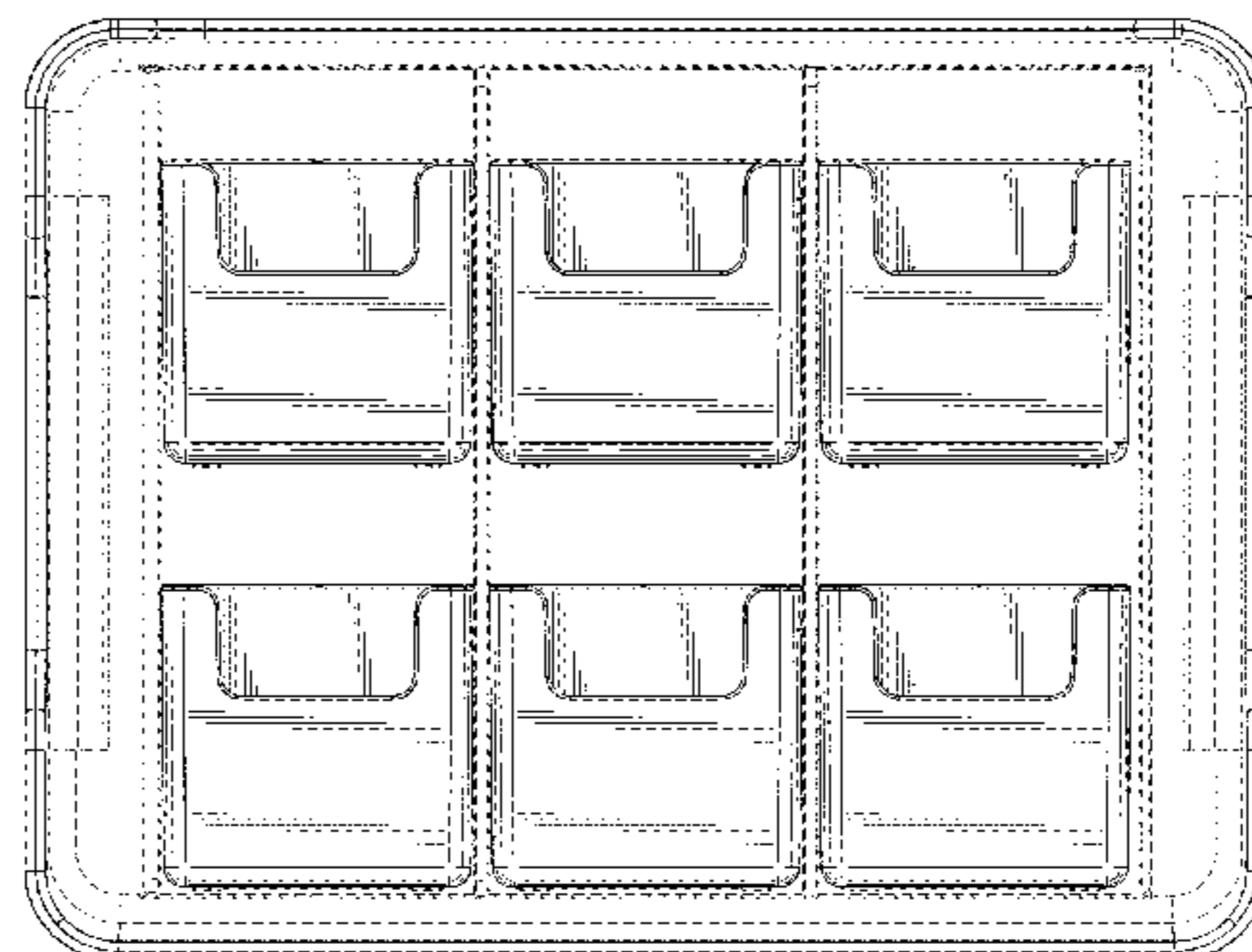
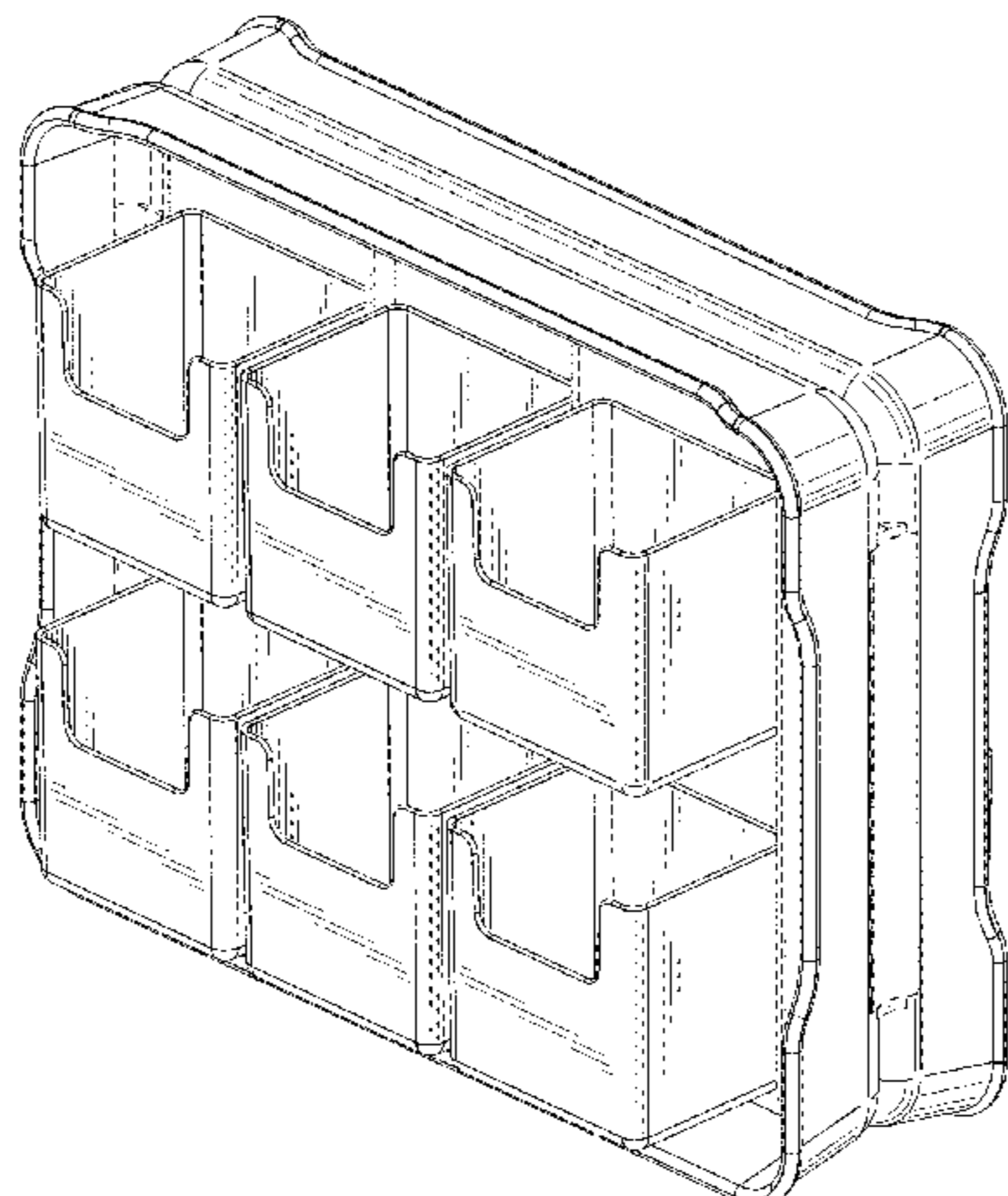
FIG. 3 is a front side elevational view thereof; the rear side elevational view being identical to the front side elevational view.

FIG. 4 is a bottom plan view thereof; and,

FIG. 5 is a left side elevational view thereof; the right side elevational view being identical to the left side elevational view.

The broken lines shown in FIGS. 1, 2, 3, and 5 represent portions of the storage container that form no part of the claimed design.

1 Claim, 3 Drawing Sheets



(56)

References Cited

U.S. PATENT DOCUMENTS

2,950,012	A *	8/1960	Mascaretti	211/65	D526,512	S *	8/2006	Hahn	D6/683.1
3,246,413	A *	4/1966	Cockrell	40/618	D533,414	S *	12/2006	Claypool et al.	D7/701
3,480,178	A *	11/1969	Morgan	206/506	D606,348	S *	12/2009	White et al.	D6/553
3,517,852	A *	6/1970	Schoeller	220/518	D631,607	S *	1/2011	Hall	D28/73
3,762,594	A *	10/1973	Utz	220/516	D657,589	S *	4/2012	Watson	D6/678.4
5,147,039	A *	9/1992	Sechler et al.	206/386	D700,435	S *	3/2014	Gold	D3/307
D333,392	S *	2/1993	Cugley	D6/683.1	D711,172	S *	8/2014	Voron et al.	D6/675.4
D335,594	S *	5/1993	Muniz	D3/313	D715,072	S *	10/2014	Simonetti	D6/571
D362,135	S *	9/1995	Wilson et al.	D6/672	2006/0086679	A1 *	4/2006	Simpson et al.	211/59.2
5,685,452	A *	11/1997	Kristoffersson	220/608	2007/0184339	A1 *	8/2007	Scheucher	429/99
D437,719	S *	2/2001	Dicellis	D6/571	2008/0190872	A1 *	8/2008	Scollon et al.	211/59.4
6,550,168	B1 *	4/2003	Campos	40/406	2012/0248948	A1 *	10/2012	Dantus et al.	312/111
					2014/0110362	A1 *	4/2014	Ammon	211/41.8
					2015/0114917	A1 *	4/2015	Ammon	211/41.8

* cited by examiner

Fig. 1

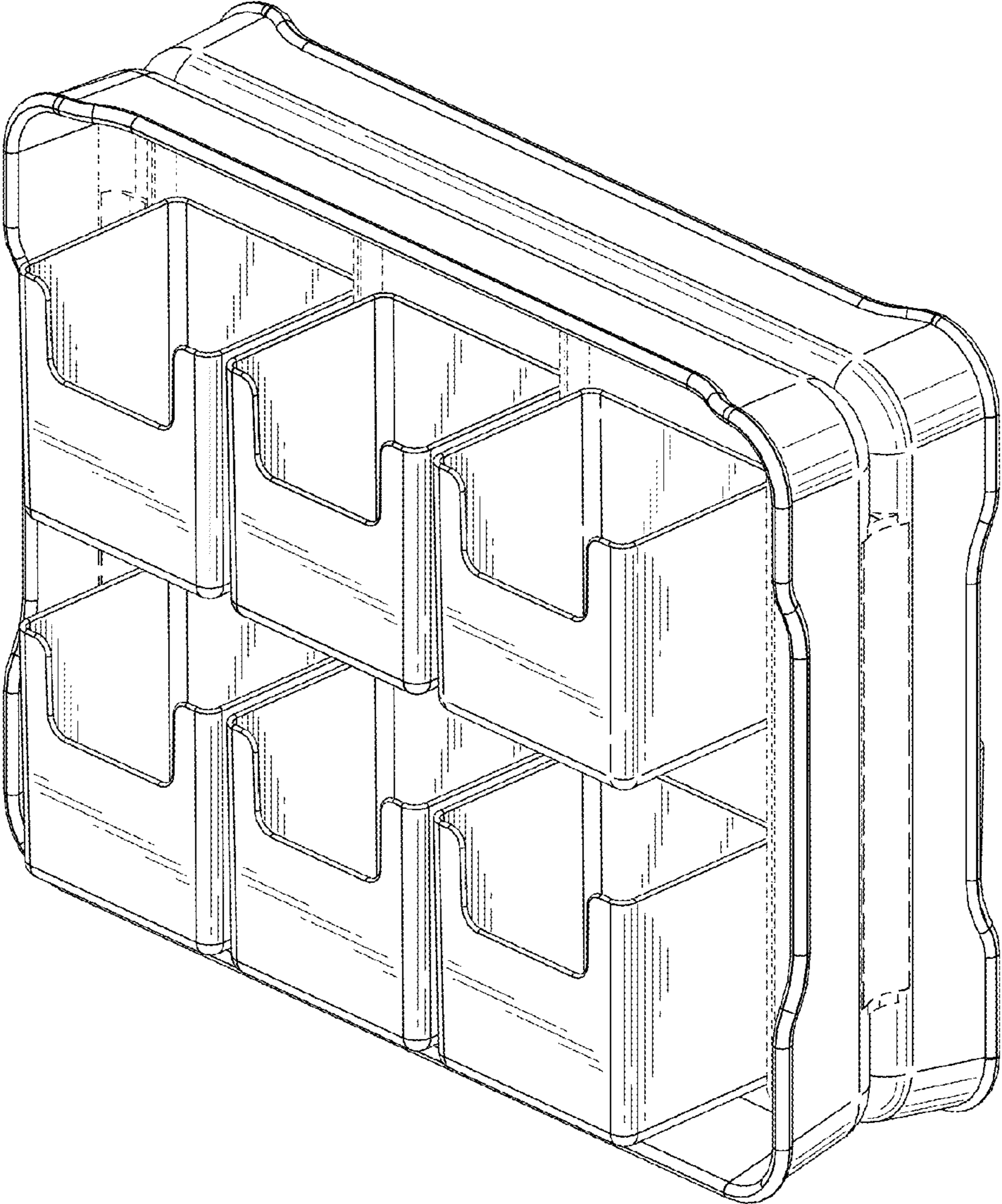


Fig. 2

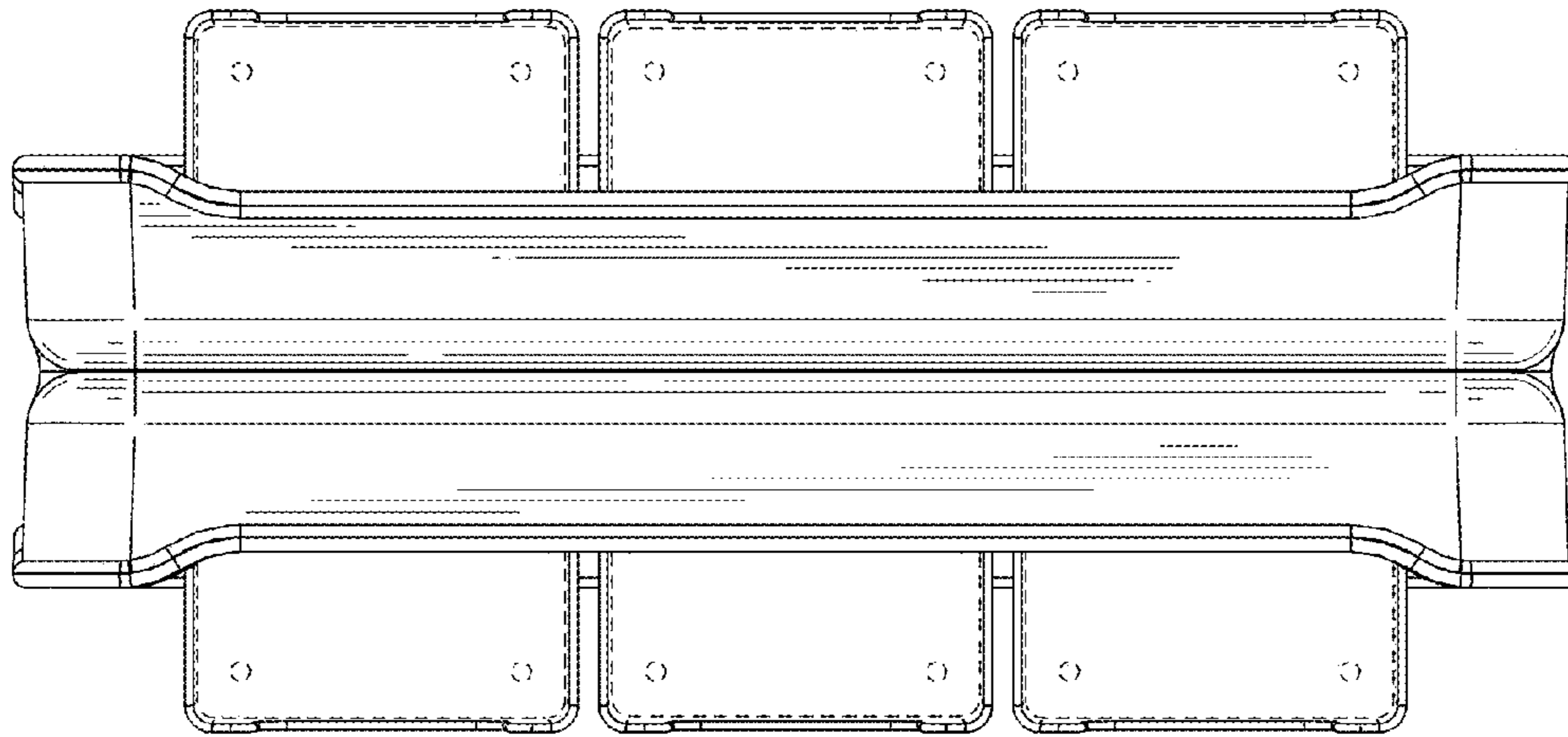


Fig. 3

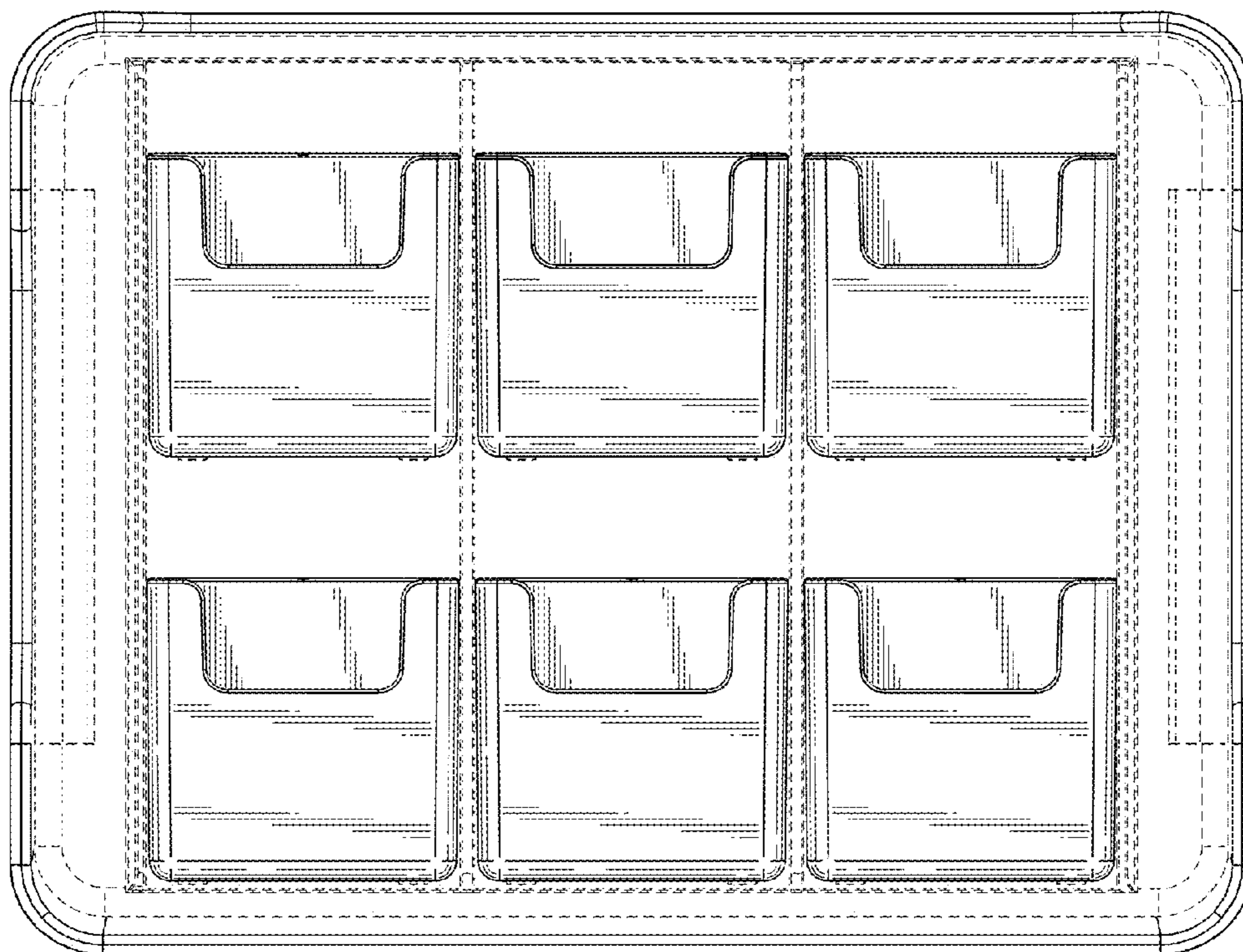


Fig. 4

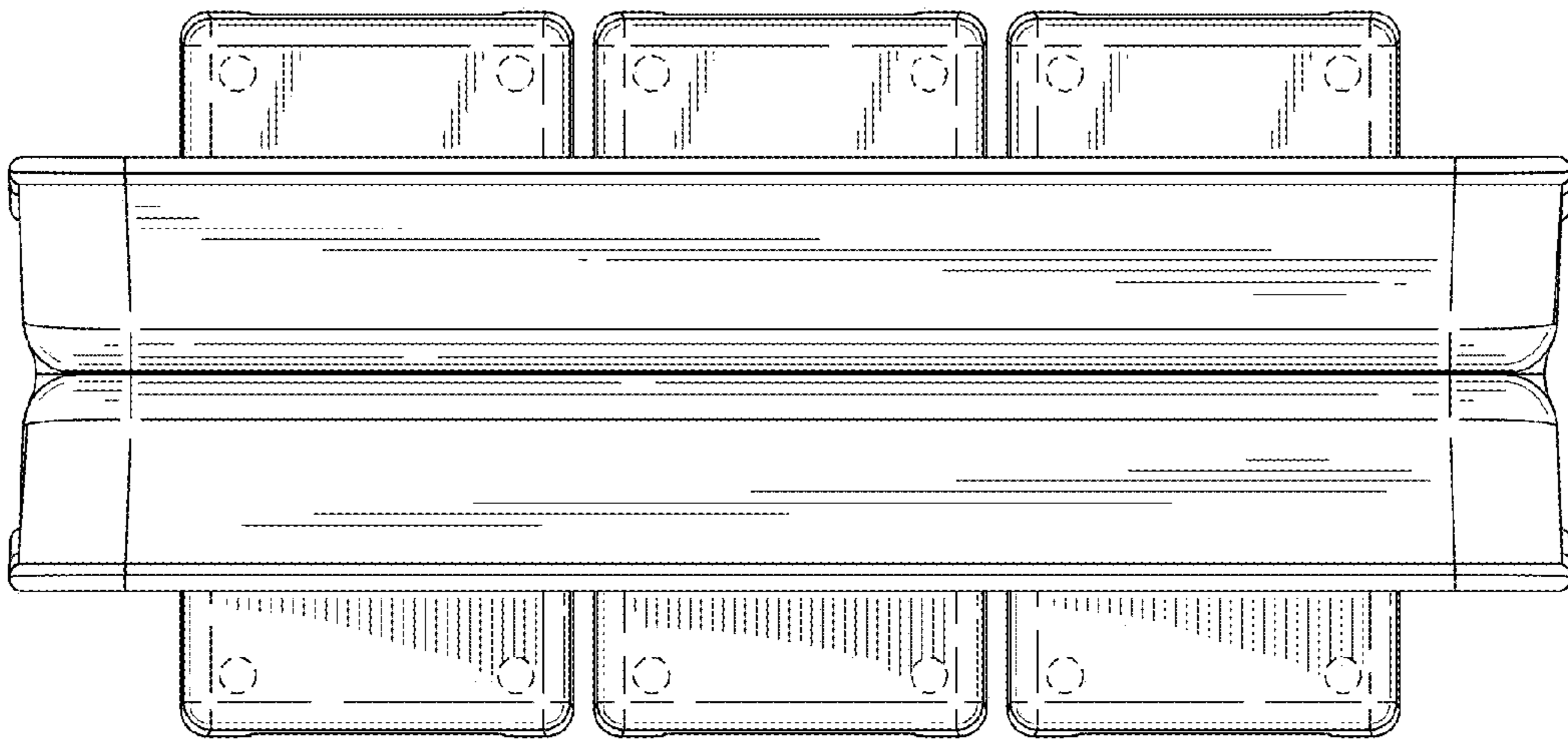


Fig. 5

