



US00D745329S

(12) **United States Design Patent**
Ong

(10) **Patent No.:** **US D745,329 S**

(45) **Date of Patent:** **** Dec. 15, 2015**

(54) **MULTI-COMPARTMENT FOOD PREPARATION CONTAINER**

4,061,242 A	12/1977	Donlon
D277,234 S	1/1985	Bank
D283,386 S	4/1986	Mansueto
D283,476 S	4/1986	Mansueto
4,626,438 A	12/1986	Glantz
D295,009 S	4/1988	Mansueto

(71) Applicant: **Ongma Enterprise Corporation**, Union City, CA (US)

(72) Inventor: **Michael Ong**, Union City, CA (US)

(73) Assignee: **Ongma Enterprise Corporation**, Union City, CA (US)

(**) Term: **14 Years**

(21) Appl. No.: **29/481,529**

(22) Filed: **Feb. 6, 2014**

(Continued)

OTHER PUBLICATIONS

MR Spring Roll's, Special and Unique Rice Paper Bowls; <http://mrspringroll.com/index.php>, Apr. 21, 2010, 2 pages.

(Continued)

Primary Examiner — Cynthia Underwood

(74) *Attorney, Agent, or Firm* — Mahamedi Paradise LLP

(57) **CLAIM**

The ornamental design for a multi-compartment food preparation container, as shown and described.

DESCRIPTION

FIG. 1 is a front perspective view of a multi-compartment food preparation container;

FIG. 2 is a back perspective view of the multi-compartment food preparation apparatus of FIG. 1;

FIG. 3 is a front view of the multi-compartment food preparation apparatus of FIG. 1;

FIG. 4 is a back view of the multi-compartment food preparation apparatus of FIG. 1;

FIG. 5 is a top view of the multi-compartment food preparation apparatus of FIG. 1;

FIG. 6 is a bottom view of the multi-compartment food preparation apparatus of FIG. 1;

FIG. 7 is a right side view of the multi-compartment food preparation apparatus of FIG. 1; and,

FIG. 8 is a left side view of the multi-compartment food preparation apparatus of FIG. 1.

The broken lines represent environment and form no part of the claim.

Related U.S. Application Data

(63) Continuation of application No. 29/416,400, filed on Mar. 21, 2012, now Pat. No. Des. 699,517.

(51) **LOC (10) Cl.** **07-01**

(52) **U.S. Cl.**
USPC **D7/586**

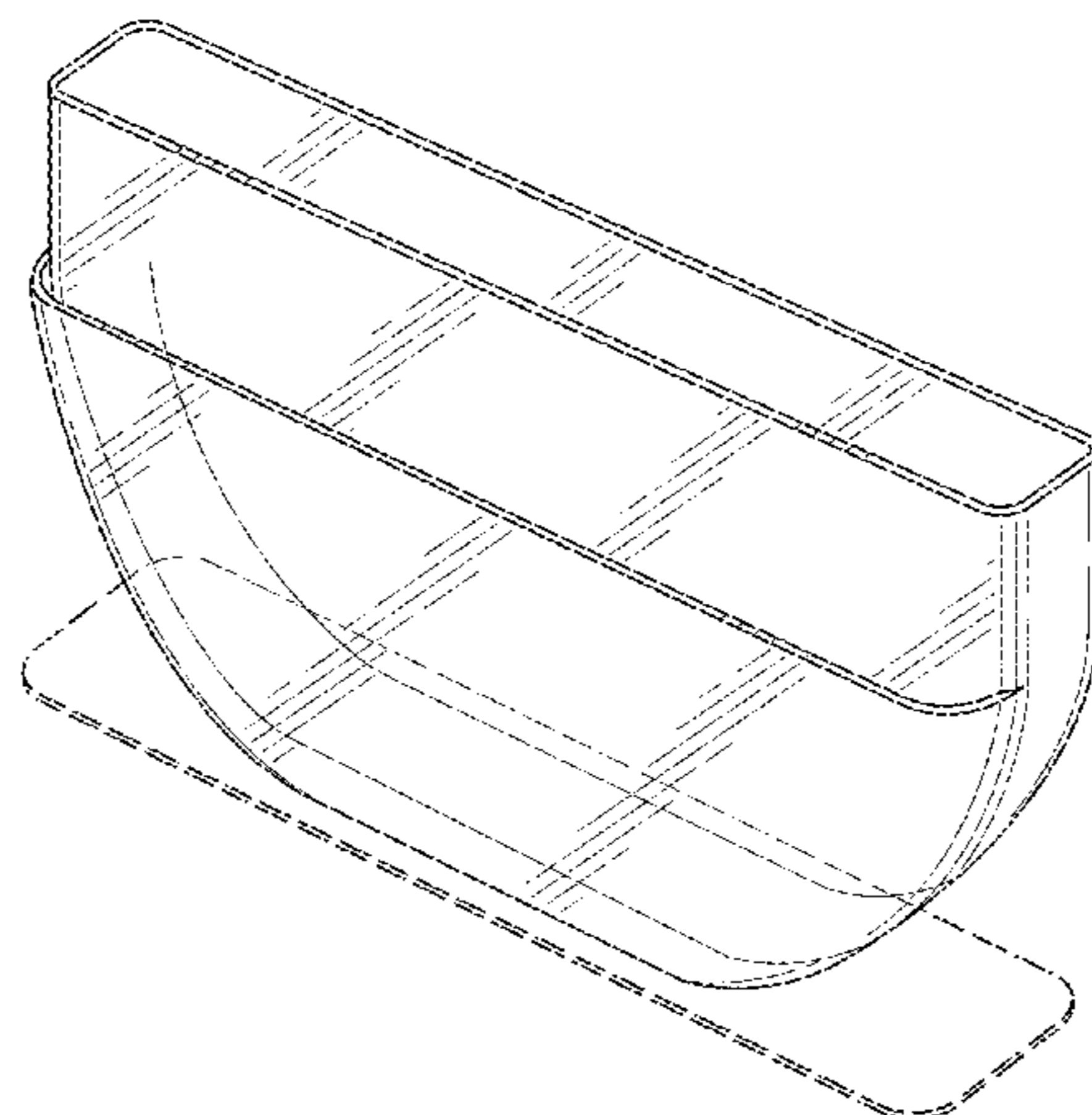
(58) **Field of Classification Search**
USPC D7/357, 541, 546, 548, 553.1, 553.6, D7/550.1, 586; D30/130; 206/561, 521.15; 220/575, 500, 506; D9/737, 761
CPC A47G 19/00; B65D 25/04
See application file for complete search history.

(56) **References Cited**

U.S. PATENT DOCUMENTS

185,791 A	12/1876	Smith et al.
386,964 A	7/1888	Cochran
1,238,830 A	9/1917	Schuster et al.
1,494,978 A	5/1924	Roy
D99,827 S	5/1936	Scaman
3,106,314 A	10/1963	Spears
3,429,474 A	2/1969	Cann
D219,675 S	1/1971	Davis
D222,682 S	11/1971	Douglas

1 Claim, 5 Drawing Sheets



(56)

References Cited

U.S. PATENT DOCUMENTS

D295,010 S 4/1988 Mansueto
D353,745 S 12/1994 Rinard
5,487,486 A 1/1996 Meneo
5,490,608 A 2/1996 Hawkins
5,499,763 A 3/1996 DeMars
D373,707 S 9/1996 Seaburg
D376,893 S 12/1996 Gornet
D395,577 S 6/1998 Miller
6,006,936 A 12/1999 Przybylowicz
D421,462 S 3/2000 Orchanian
D425,685 S 5/2000 Kitslaar
D499,306 S 12/2004 Laib

D567,592 S 4/2008 Fite et al.
D623,376 S 9/2010 Griebel
D699,517 S * 2/2014 Ong D7/587
2006/0147587 A1 7/2006 Kovich et al.

OTHER PUBLICATIONS

Non-Final Office Action mailed Dec. 11, 2012 for U.S. Appl. No. 13/426,335; 7 pages.
Non-Final Office Action mailed Sep. 17, 2013 for U.S. Appl. No. 13/426,335; 11 pages.
Notice of Allowance mailed Oct. 8, 2013 for U.S. Appl. No. 29/416,400; 11 pages.

* cited by examiner

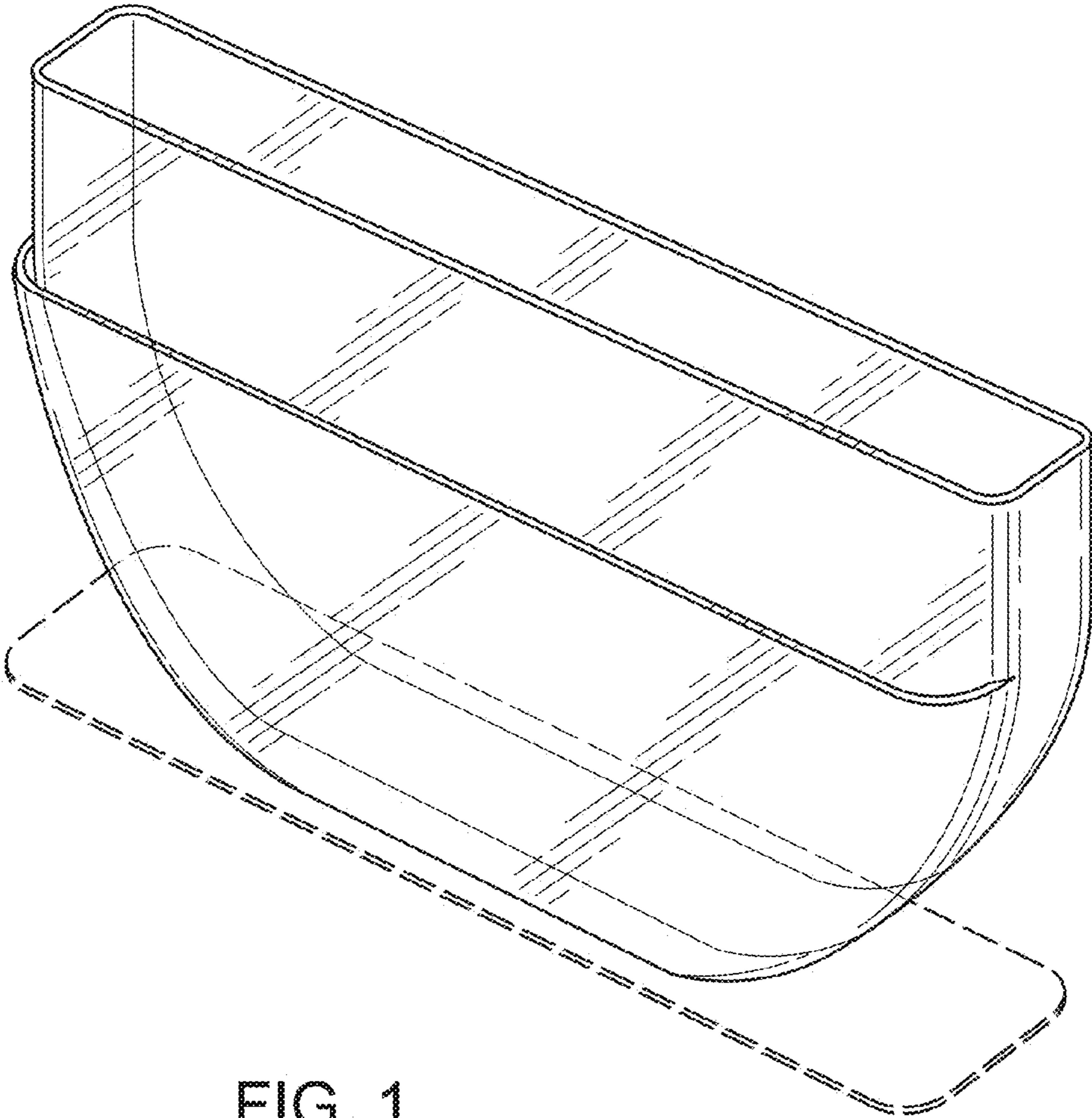


FIG. 1

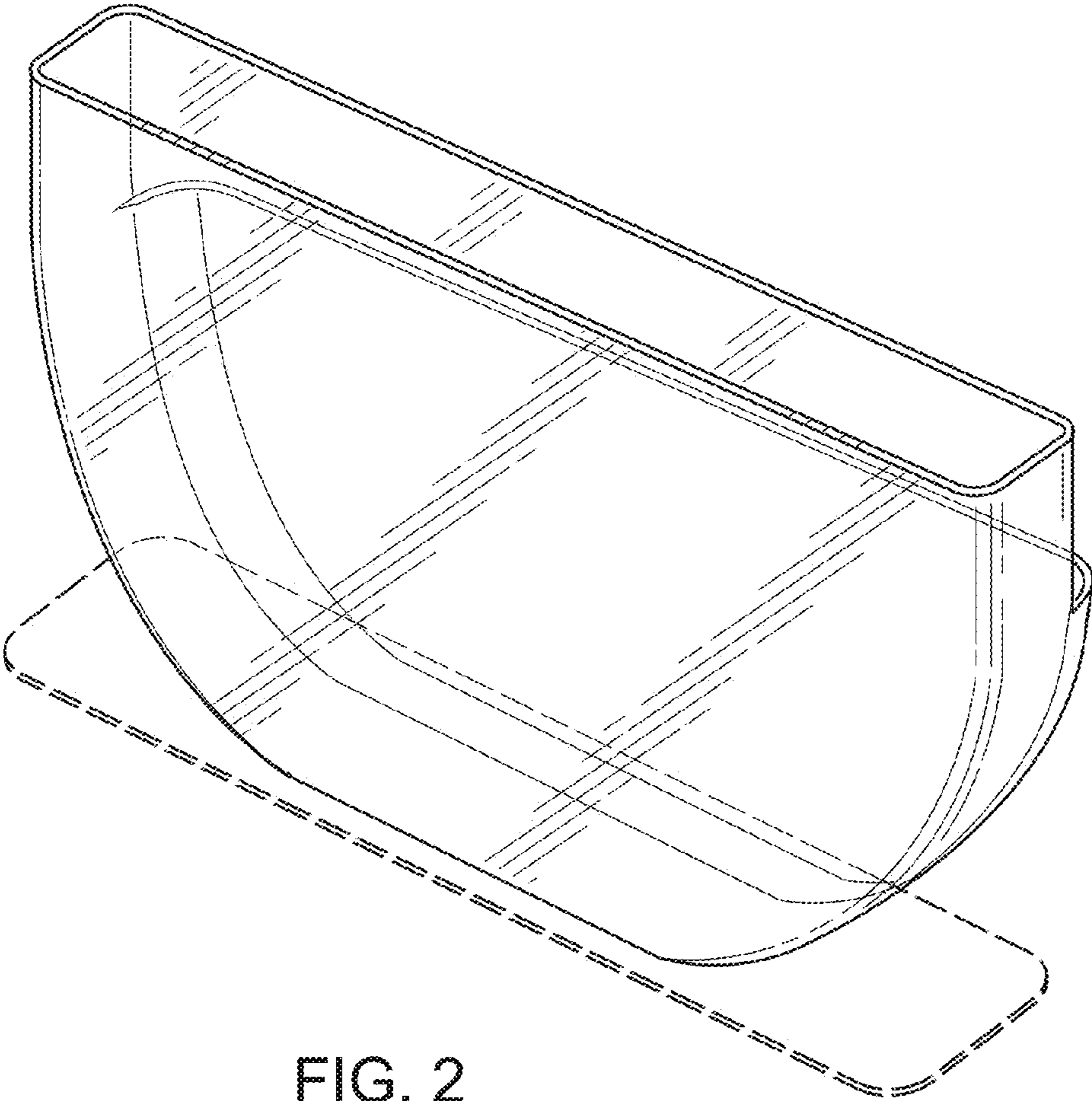


FIG. 2

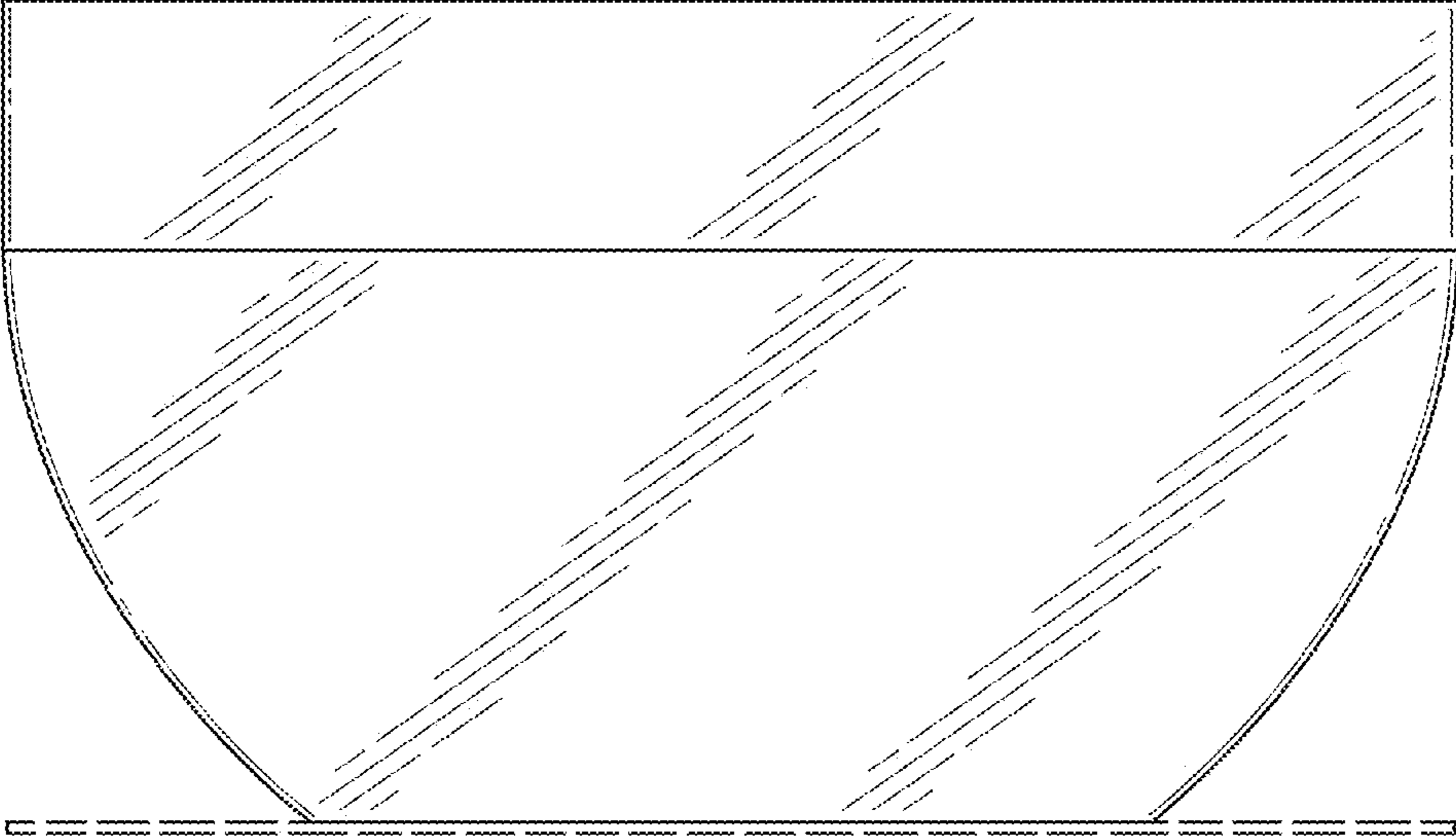


FIG. 3

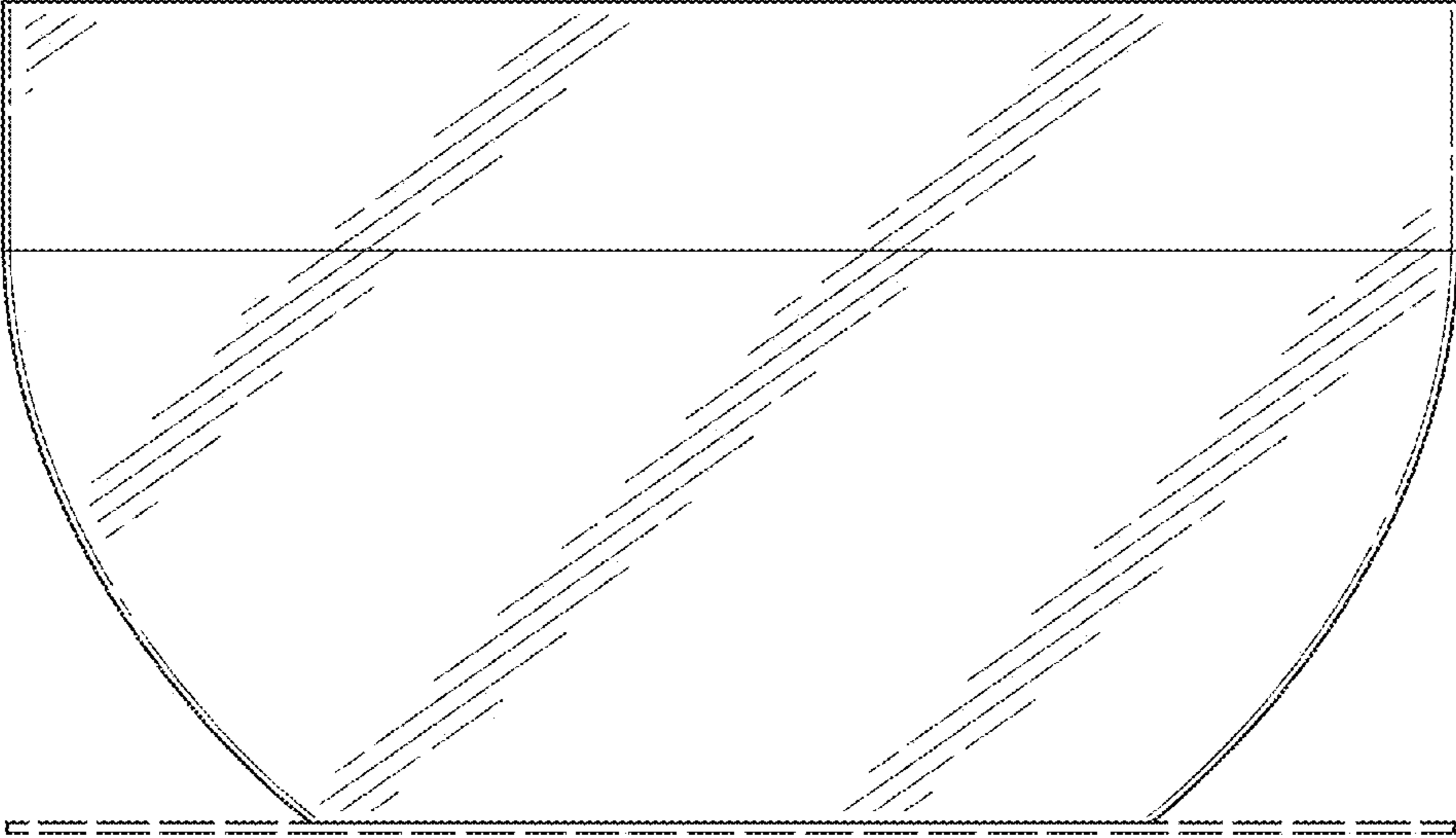


FIG. 4

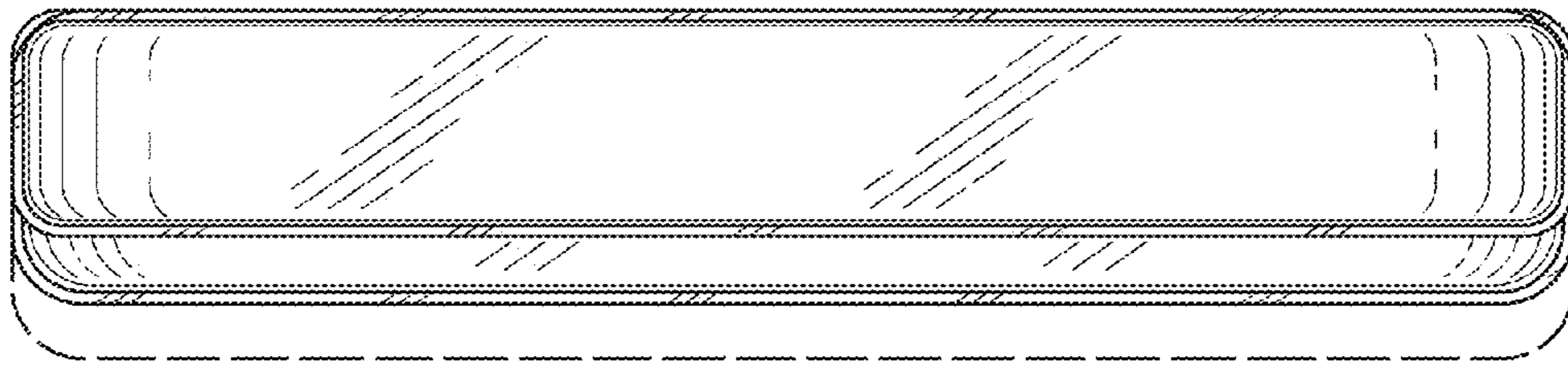


FIG. 5

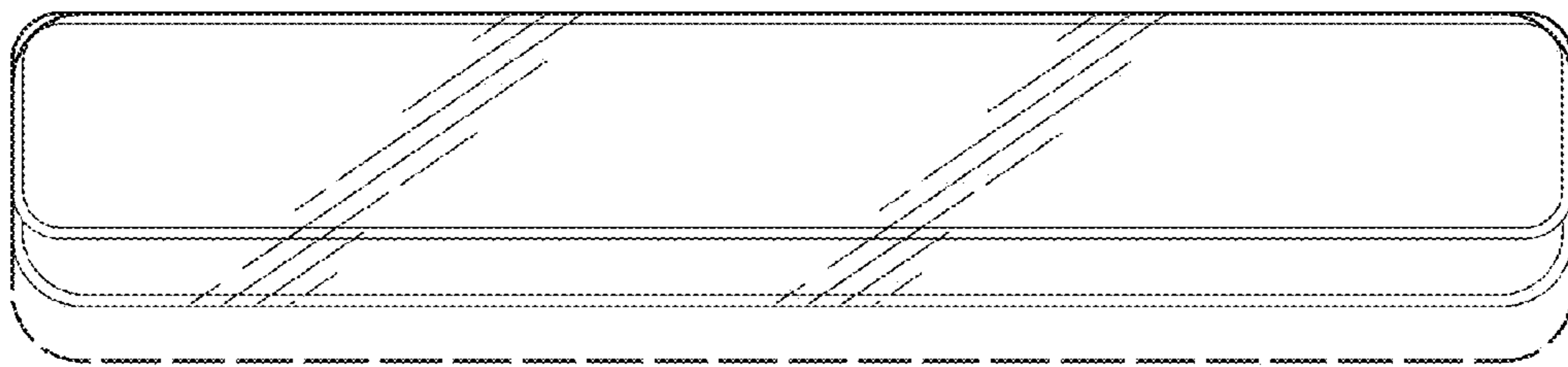


FIG. 6

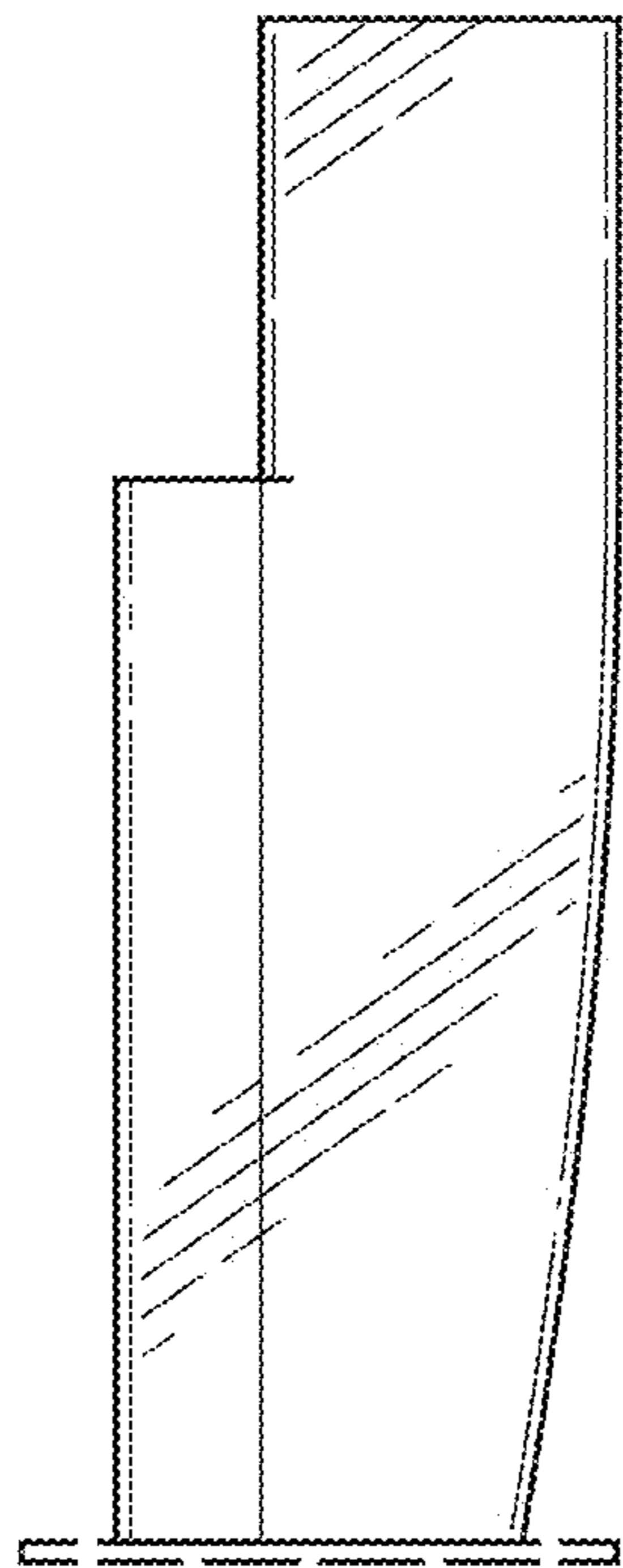


FIG. 7

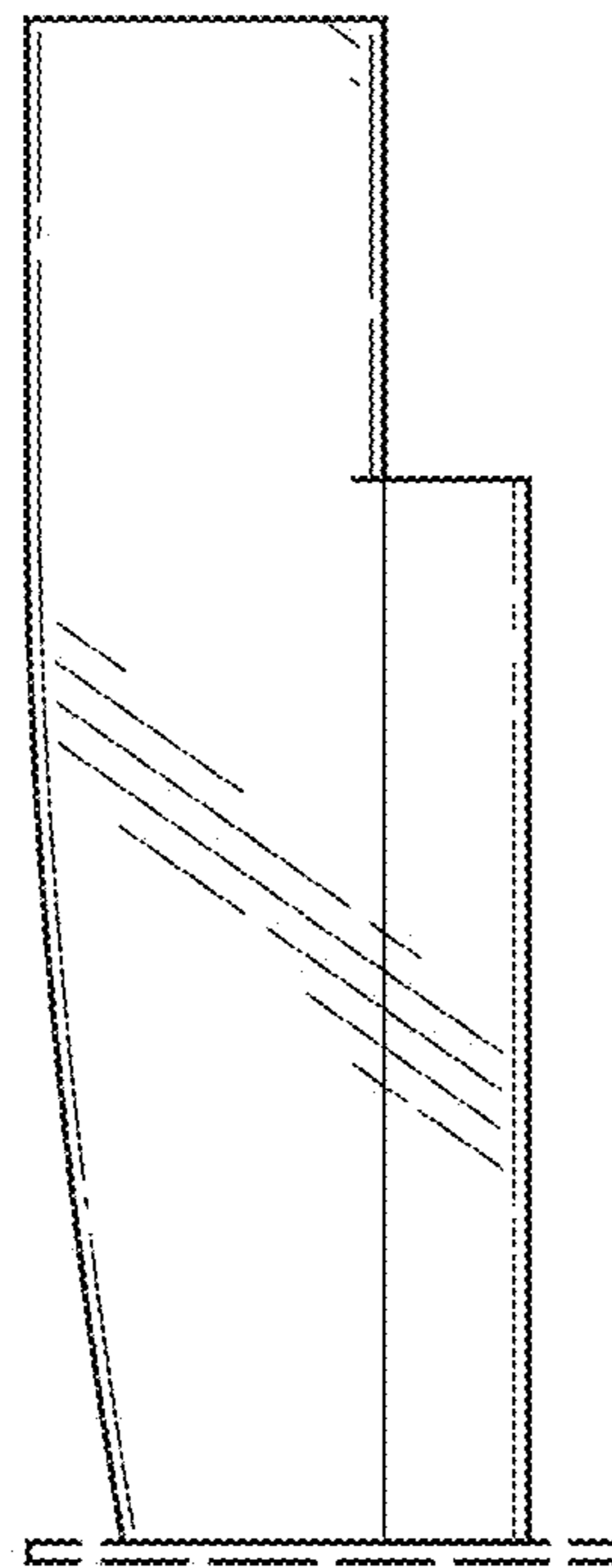


FIG. 8