



US00D745324S

(12) **United States Design Patent**  
**Malaspino**

(10) **Patent No.:** **US D745,324 S**  
(45) **Date of Patent:** **\*\* Dec. 15, 2015**

- (54) **BEVERAGE VESSEL**
- (71) Applicant: **True Fabrications, Inc.**, Seattle, WA  
(US)
- (72) Inventor: **Erin Marie Malaspino**, Seattle, WA  
(US)
- (73) Assignee: **TRUE FABRICATIONS, INC.**, Seattle,  
WA (US)
- (\*\*) Term: **14 Years**
- (21) Appl. No.: **29/498,483**
- (22) Filed: **Aug. 4, 2014**
- (51) **LOC (10) Cl.** ..... **07-01**
- (52) **U.S. Cl.**  
USPC ..... **D7/532; D7/523**
- (58) **Field of Classification Search**  
USPC ..... D7/509, 512, 514, 516, 517, 523, 529,  
D7/532, 591, 594, 608, 624.1, 624.2, 391,  
D7/392.1, 396.2, 396.4, 519, 607, 524,  
D7/527, 528; D9/501, 502, 444;  
220/592.16, 592.17, 592.23, 592.24,  
220/674, 676; 229/400, 403, 405; 215/382;  
206/520; D11/3, 4, 6; D3/202; D5/1, 2,  
D5/3, 4, 17, 23, 25, 29, 58; D25/60, 153,  
D25/156, 157, 164, 261, 259  
CPC ..... A47G 19/2288; A47G 2023/0291;  
A47G 19/2205; A47G 19/22; B65D 3/22;  
B65D 1/265  
See application file for complete search history.

(56) **References Cited**  
U.S. PATENT DOCUMENTS

D79,276 S *	8/1929	Arduser	.....	D7/528
D98,420 S *	2/1936	Deskey	.....	D7/523
D107,990 S *	1/1938	Hansen	.....	D7/532
D110,278 S *	6/1938	Fuerst	.....	D7/532

D110,279 S *	6/1938	Fuerst	.....	D7/532
D130,277 S *	11/1941	Eggleton	.....	D7/532
D173,106 S *	9/1954	Foster	.....	D7/524
D371,936 S *	7/1996	Goto et al.	.....	D7/523
D416,757 S *	11/1999	Ginuntoli	.....	D7/523
D433,599 S *	11/2000	Kristiansen et al.	.....	D7/523
D433,876 S *	11/2000	Freed	.....	D7/532
D469,658 S *	2/2003	Norris et al.	.....	D7/523
D472,101 S *	3/2003	Janky	.....	D7/532
D474,077 S *	5/2003	Hatsumoto	.....	D7/608
D475,891 S *	6/2003	Bin	.....	D7/510
D479,437 S *	9/2003	Gluck	.....	D7/523
D506,642 S *	6/2005	Dirstein et al.	.....	D7/529
D509,707 S *	9/2005	Tien	.....	D7/510
D533,404 S *	12/2006	Mansfield	.....	D7/513
D534,770 S *	1/2007	Gluck	.....	D7/532
D546,125 S *	7/2007	Bhavnani	.....	D7/523
D553,439 S *	10/2007	Bodum	.....	D7/523
D563,723 S *	3/2008	Gluck	.....	D7/396.2
D568,103 S *	5/2008	Bodum	.....	D7/523
D569,183 S *	5/2008	Blake	.....	D7/513
D572,083 S *	7/2008	Tien	.....	D7/510
D581,739 S *	12/2008	Bodum	.....	D7/523
D582,213 S *	12/2008	Kehrein et al.	.....	D7/523
D582,723 S *	12/2008	Renz et al.	.....	D7/523

(Continued)

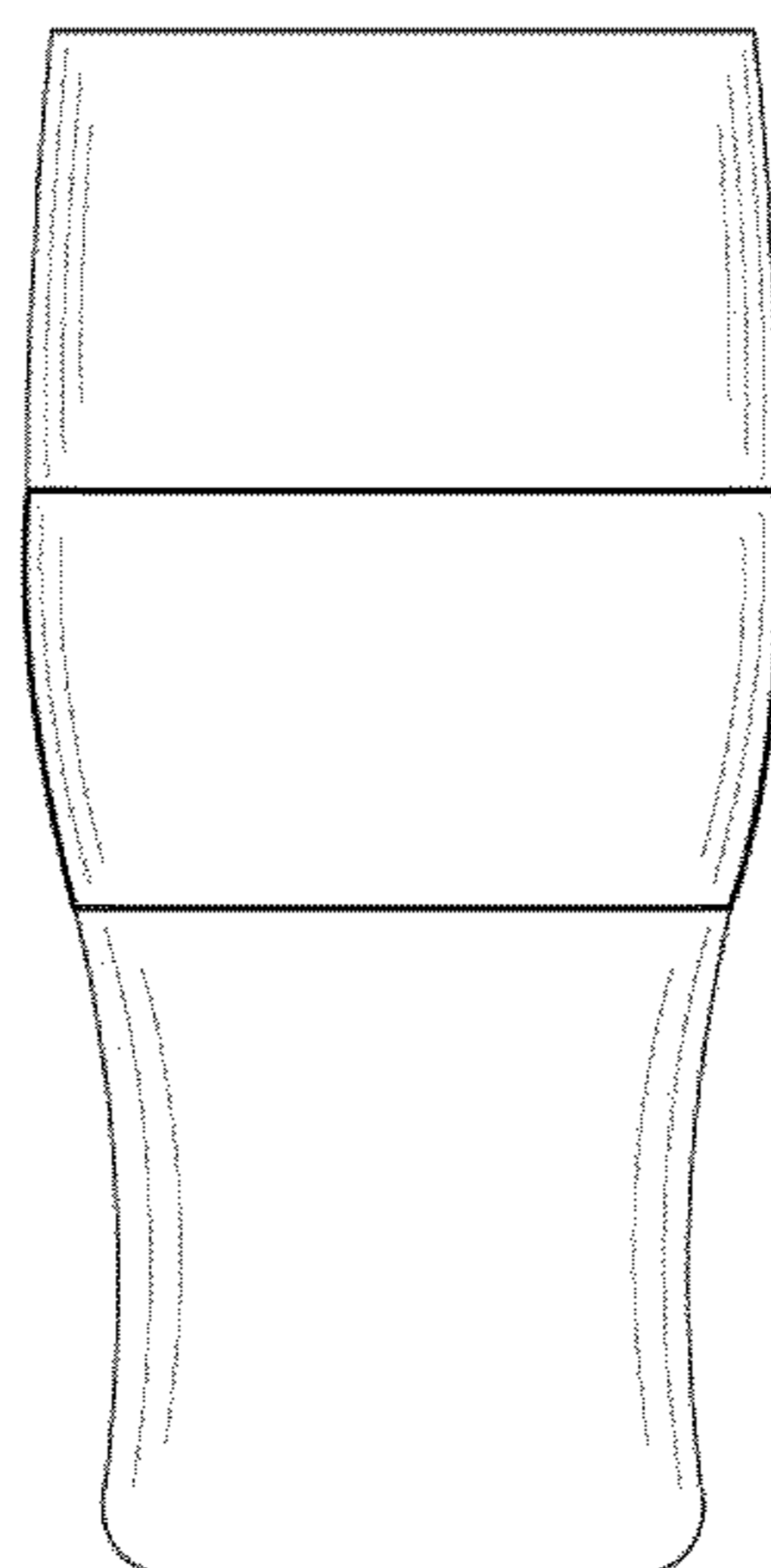
*Primary Examiner* — Marianne Pandozzi  
*Assistant Examiner* — Jae Liang  
(74) *Attorney, Agent, or Firm* — Vicky Kaur Bajwa

(57) **CLAIM**  
The ornamental design for a beverage vessel, as shown and described.

**DESCRIPTION**

FIG. 1 is a front elevational view of a beverage vessel showing my new design; the rear view being a mirror image thereof; FIG. 2 is a left side elevational view thereof; the right side view being a mirror image thereof; FIG. 3 is a top view thereof; and, FIG. 4 is a bottom view thereof.

**1 Claim, 3 Drawing Sheets**



(56)

**References Cited**

U.S. PATENT DOCUMENTS

D599,619 S *	9/2009	Bodum .....	D7/509	D648,179 S *	11/2011	Myers .....	D7/523
D599,622 S *	9/2009	Gilbert et al. ....	D7/538	D648,599 S *	11/2011	Watanabe et al. ....	D7/523
D637,456 S *	5/2011	Creech et al. ....	D7/523	D648,985 S *	11/2011	Chiu et al. ....	D7/510
D639,113 S *	6/2011	Hayes .....	D7/509	D654,319 S *	2/2012	Myers .....	D7/523
				D657,198 S *	4/2012	Bodum .....	D7/560
				D669,736 S *	10/2012	Bodum .....	D7/510
				D698,602 S *	2/2014	Beller .....	D7/523

\* cited by examiner

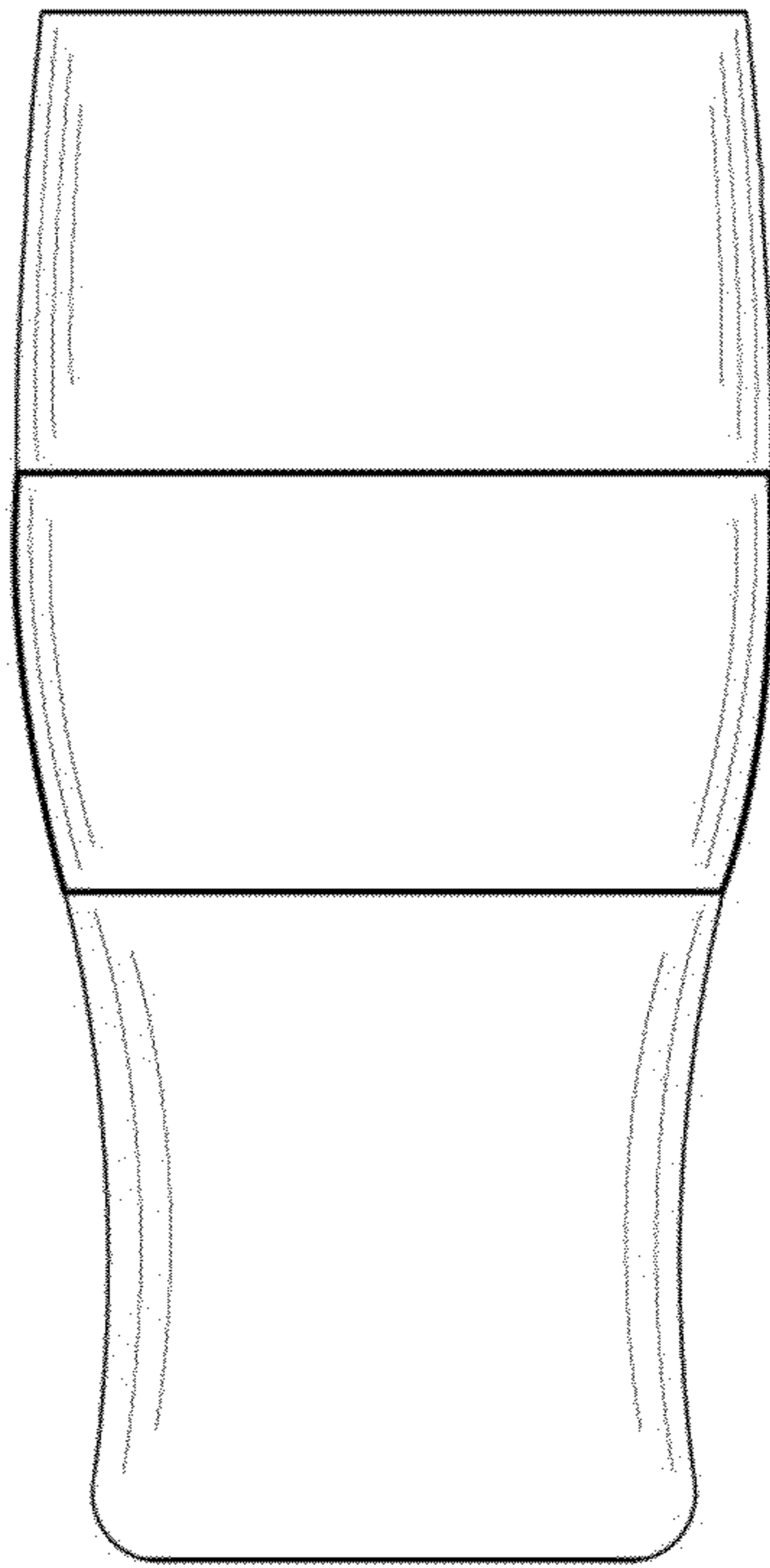


FIG. 1

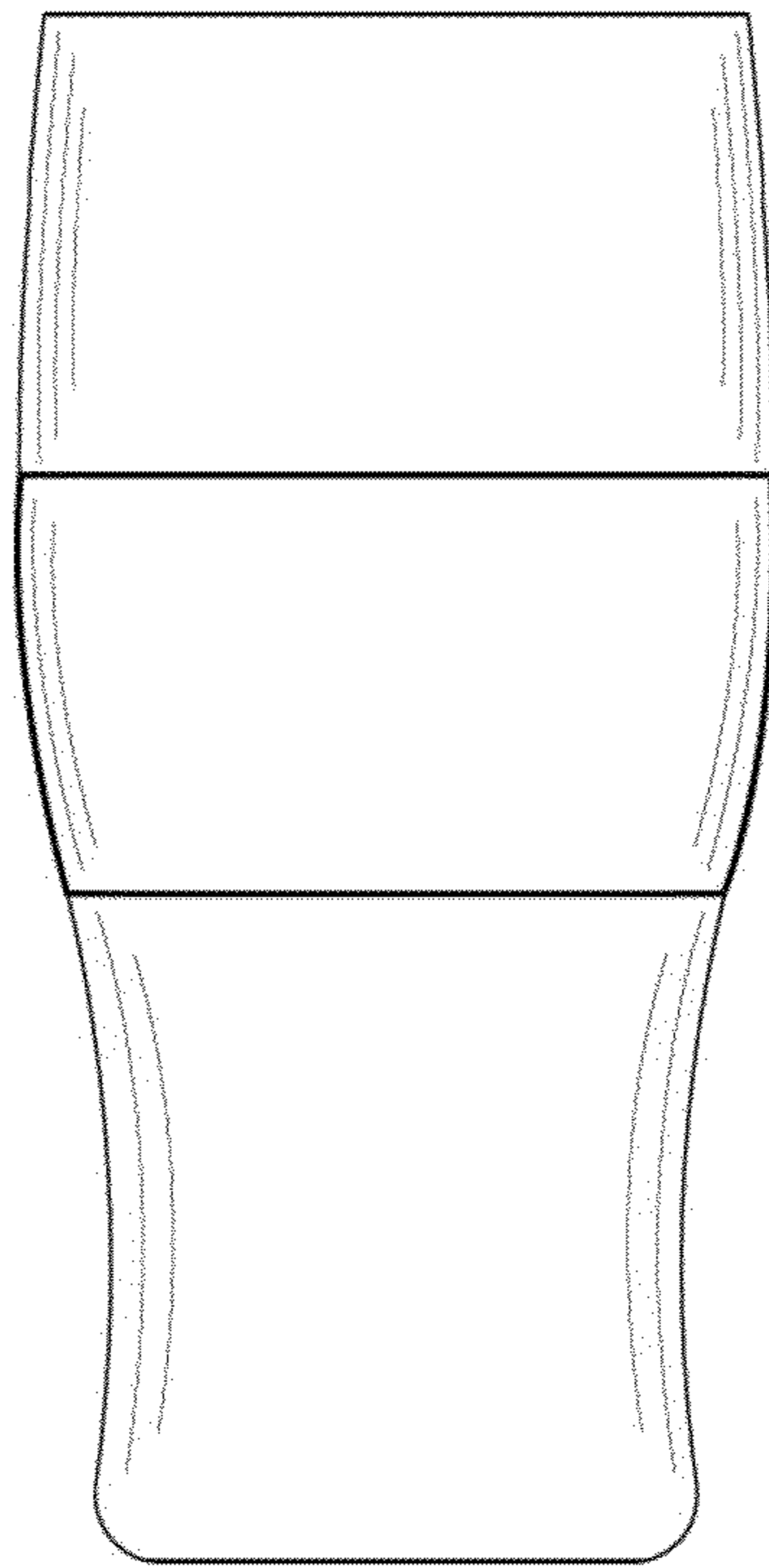


FIG. 2

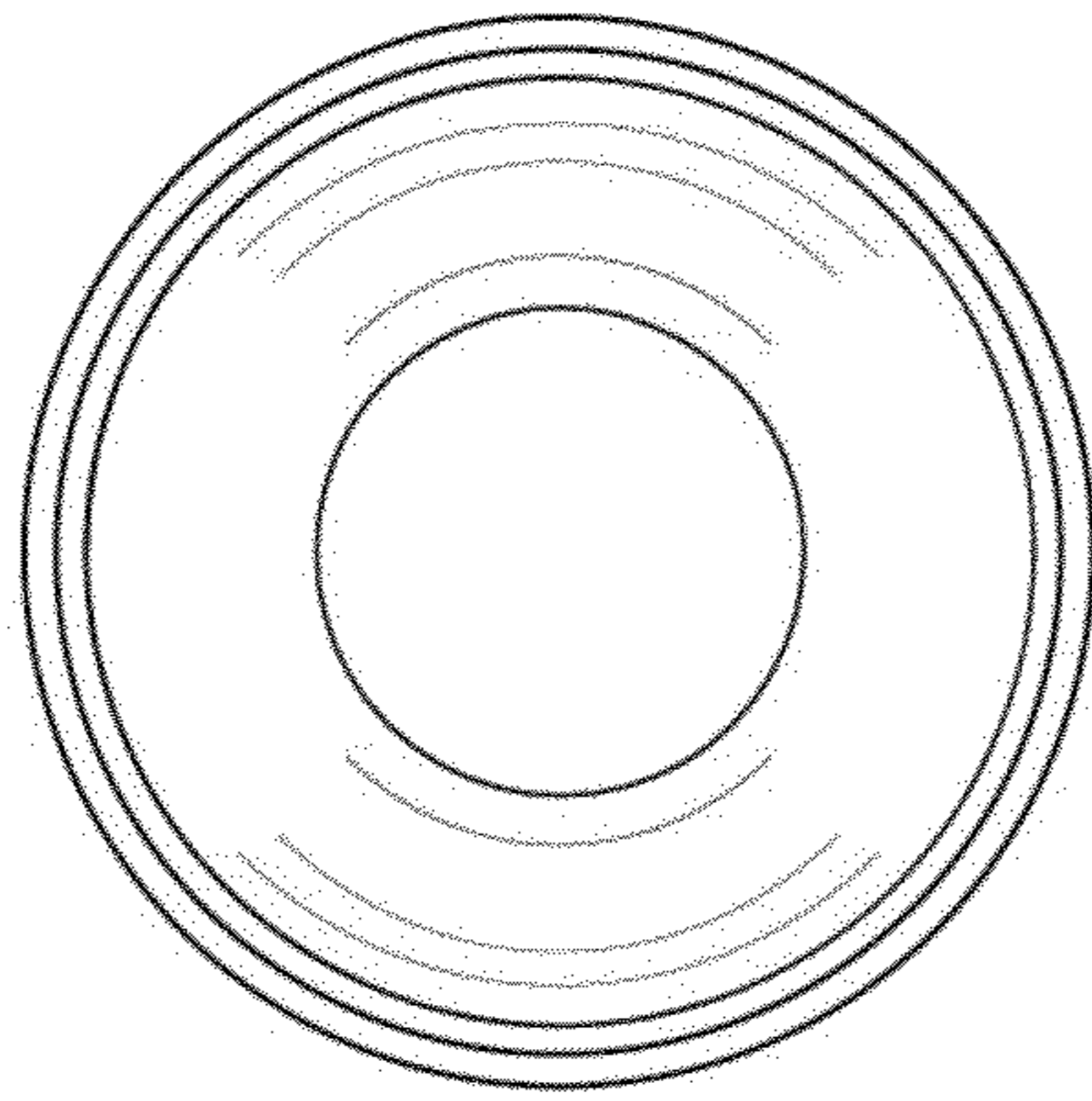


FIG. 3

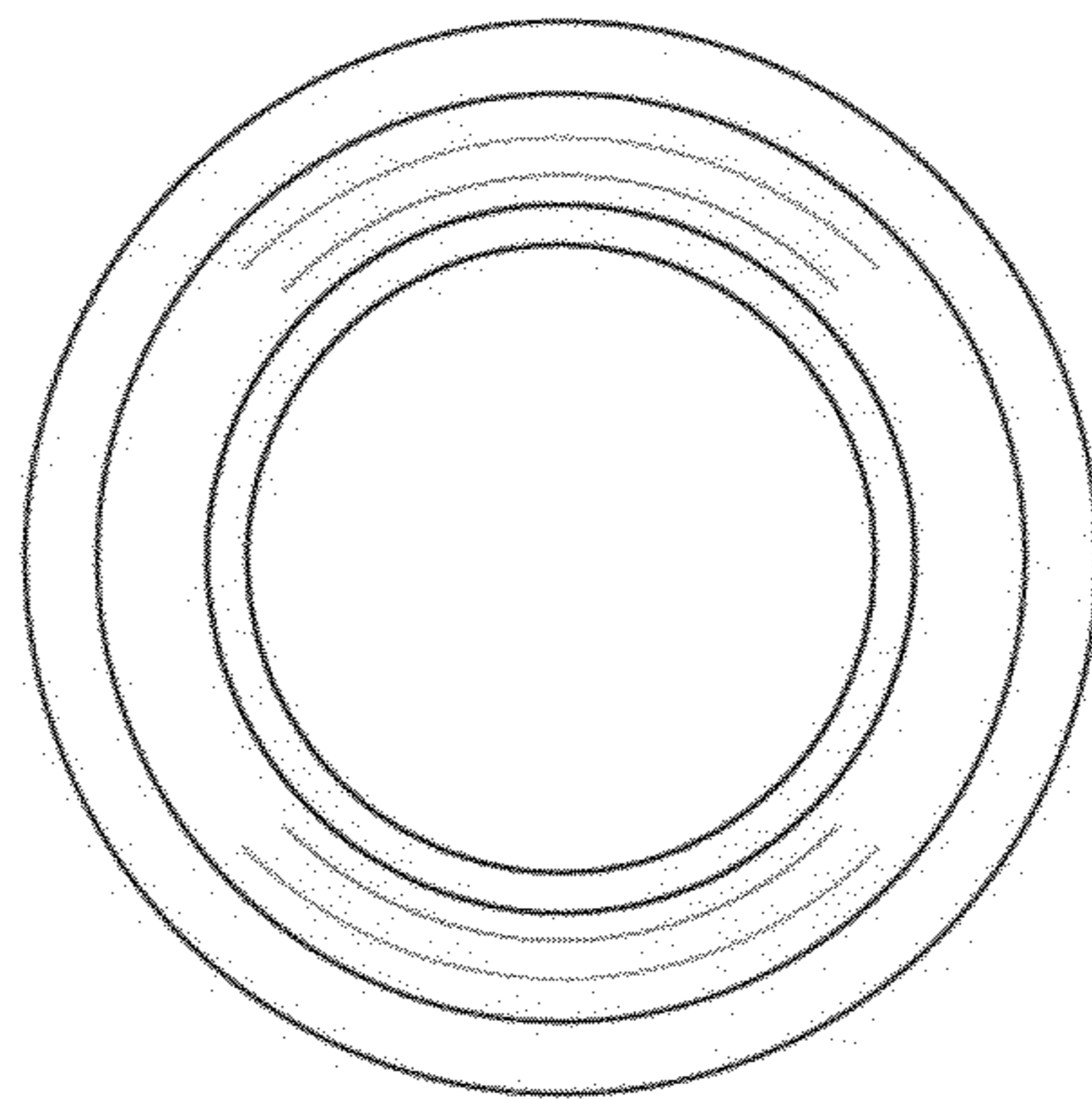


FIG. 4