



US00D745319S

(12) **United States Design Patent**
Melzer et al.

(10) **Patent No.:** **US D745,319 S**

(45) **Date of Patent:** **** Dec. 15, 2015**

(54) **BEVERAGE DISPENSER**

(71) Applicant: **Epoca International, Inc.**, Boca Raton, FL (US)

(72) Inventors: **Brian Melzer**, Boca Raton, FL (US);
Matthew L. Chin, New York, NY (US);
Gareth Brown, Jersey City, NJ (US)

(73) Assignee: **Epoca International, Inc.**, Boca Raton, FL (US)

(**) Term: **14 Years**

(21) Appl. No.: **29/480,596**

(22) Filed: **Jan. 28, 2014**

(51) **LOC (10) Cl.** **07-02**

(52) **U.S. Cl.**
USPC **D7/392; D7/392.1**

(58) **Field of Classification Search**
USPC D7/391, 392, 392.1, 393, 397, 401.1,
D7/513, 538, 542, 602, 629, 705; D9/424,
D9/430, 435, 449, 452, 524; 220/212, 213,
220/231, 260, 287, 305, 574, 660, 675, 781,
220/782, 783, 790, 791, 794; 215/10
CPC B65D 2543/00296; B67D 1/0004
See application file for complete search history.

(56) **References Cited**

U.S. PATENT DOCUMENTS

D233,697 S * 11/1974 Tate D7/397
4,362,028 A * 12/1982 Armstrong 62/390
D293,760 S * 1/1988 Balisteri D7/312
D326,392 S * 5/1992 Mondry et al. D7/701

6,269,980 B1 * 8/2001 Randall et al. 222/145.5
D641,208 S * 7/2011 Morenstein et al. D7/392.1
D661,182 S * 6/2012 Noer et al. D9/428
D667,701 S * 9/2012 Gilbert D7/629
D716,653 S * 11/2014 Balembois D9/435
D719,399 S * 12/2014 Thurin et al. D7/392.1
2004/0035867 A1 * 2/2004 Schultz et al. 220/212
2008/0264947 A1 * 10/2008 Morenstein et al. 220/376
2014/0252008 A1 * 9/2014 deLeon 220/574

* cited by examiner

Primary Examiner — Robert M Spear

Assistant Examiner — Kendra L Hamilton

(74) *Attorney, Agent, or Firm* — Akerman LP

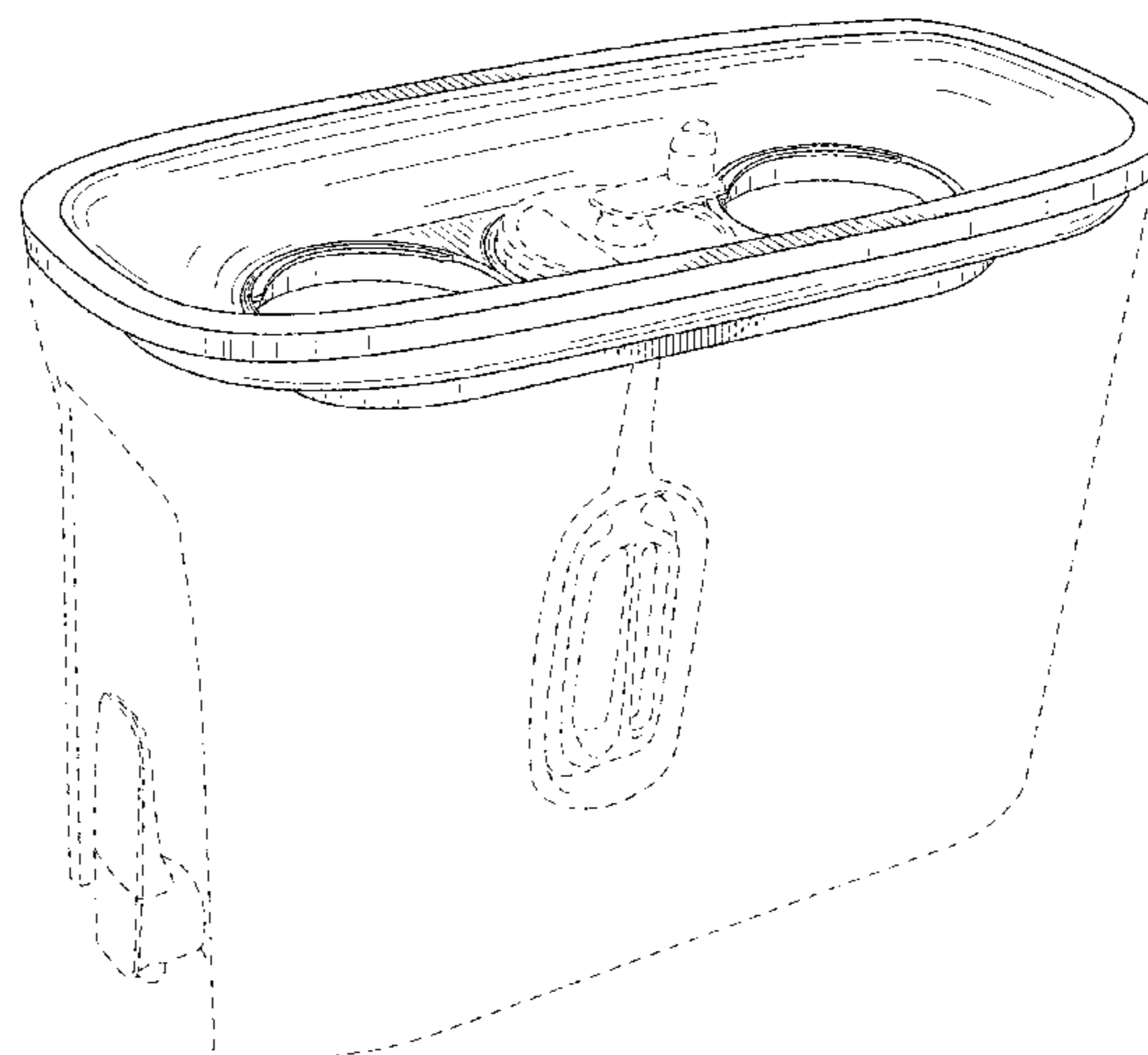
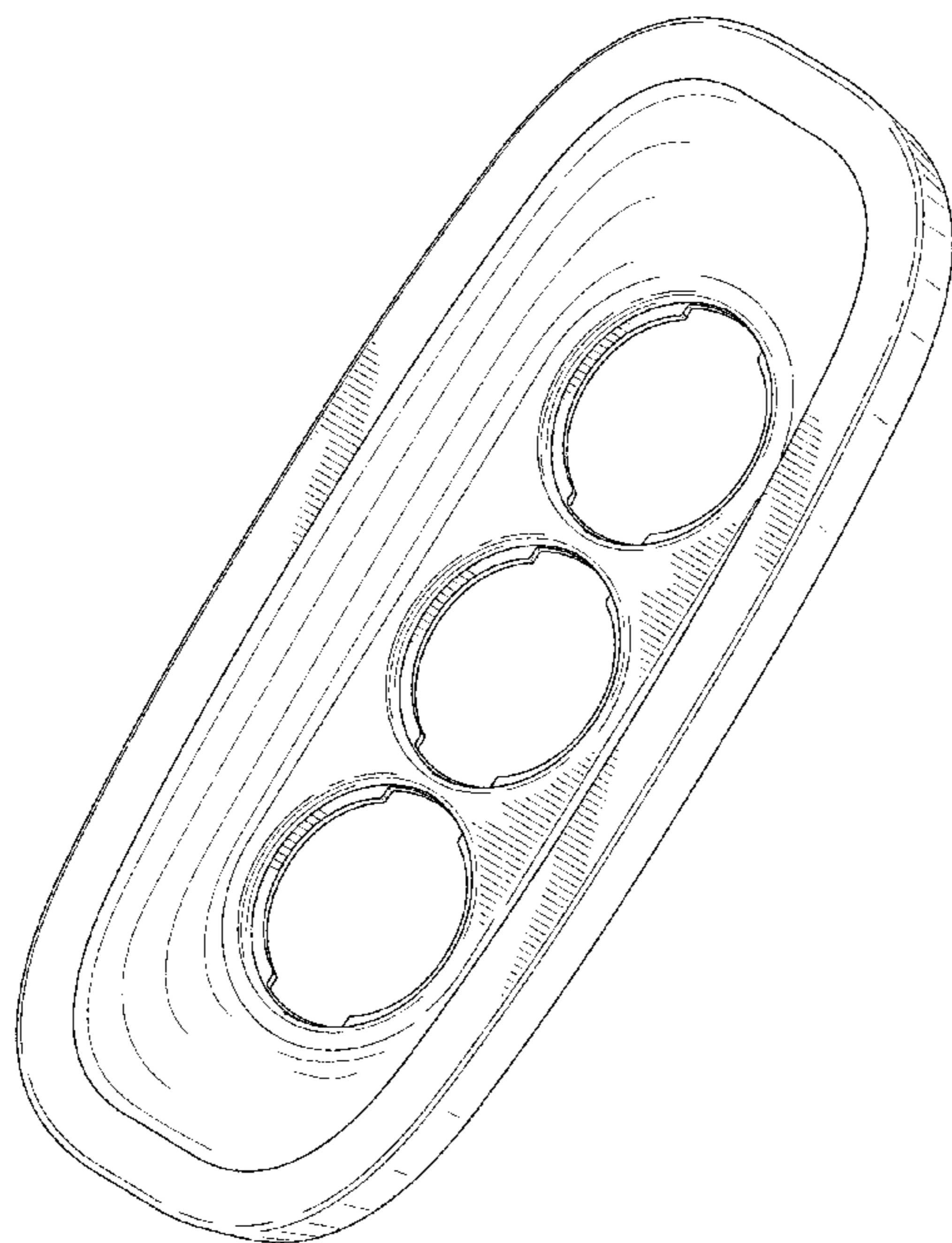
(57) **CLAIM**

We claim the ornamental design for a beverage dispenser, as shown and described.

DESCRIPTION

FIG. 1 is a perspective view of the beverage dispenser lid, showing our new, original and ornamental design;
FIG. 2 is a top view thereof;
FIG. 3 is a bottom view thereof;
FIG. 4 is a side view thereof;
FIG. 5 is a second side view thereof;
FIG. 6 is a front end view thereof;
FIG. 7 is a back end view thereof.
FIG. 8 is a perspective view of the beverage dispenser incorporating the lid, showing one interchangeable component held in the central aperture.
FIG. 9 is another view of the system of FIG. 8; and,
FIG. 10 is an end view of the system of FIG. 8.
The broken lines in the drawings depict environmental subject matter and form no part of the claimed design.

1 Claim, 8 Drawing Sheets



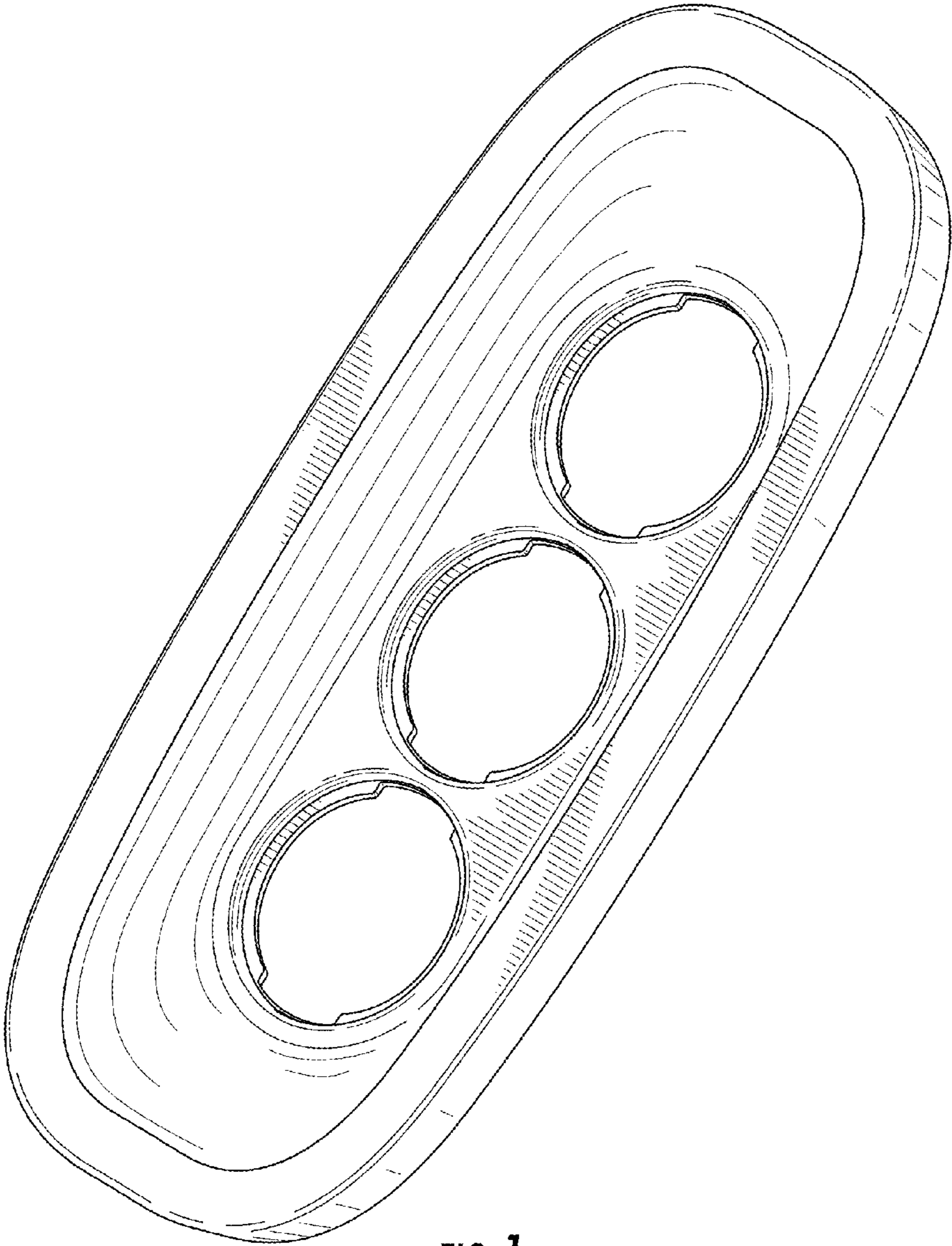


FIG. 1

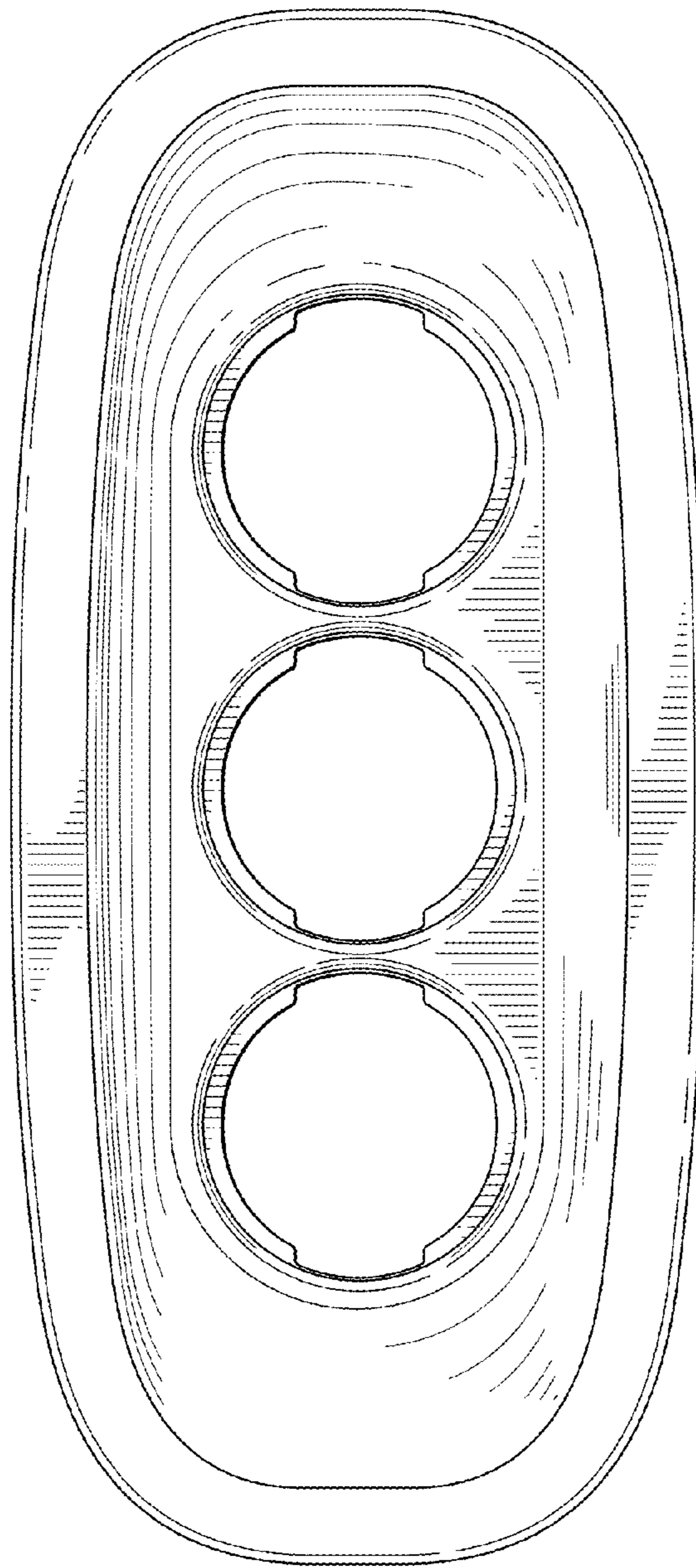


FIG. 2

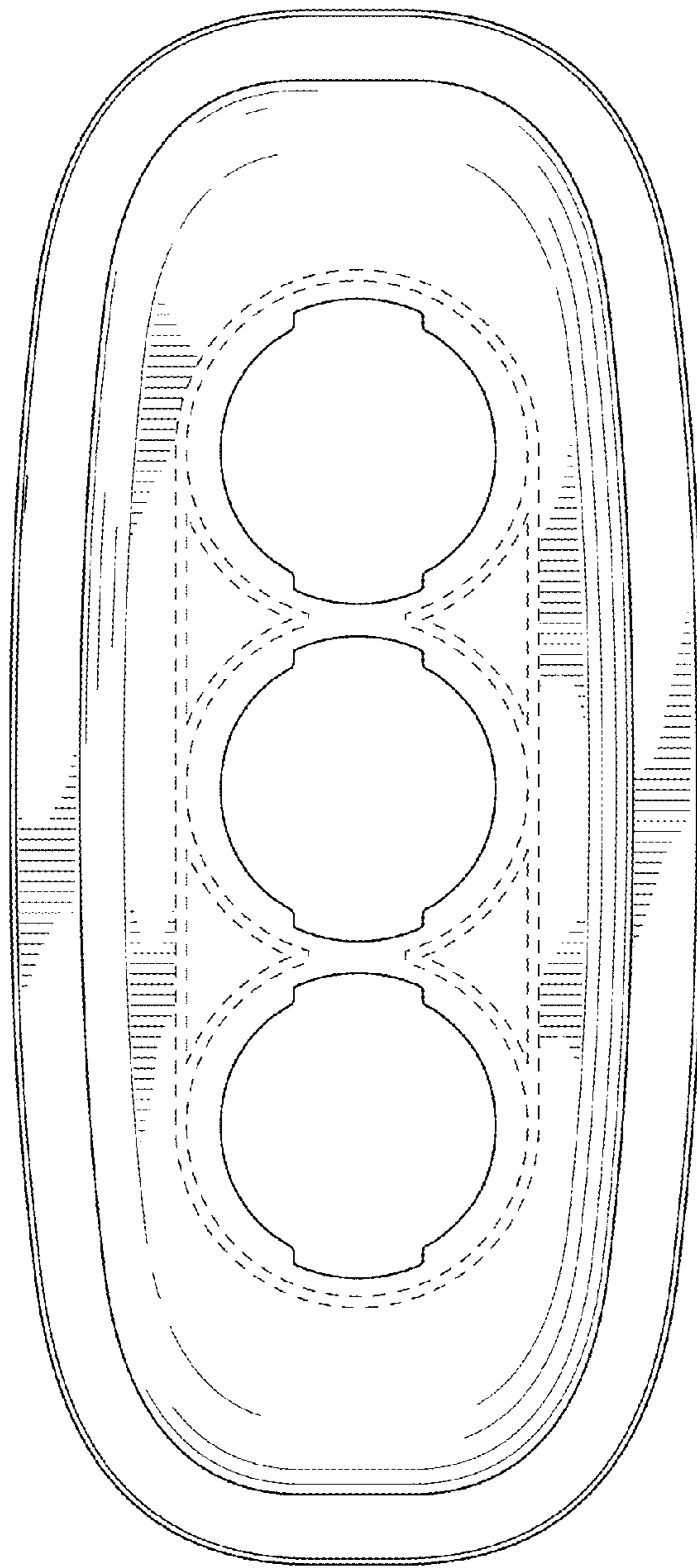


FIG. 3

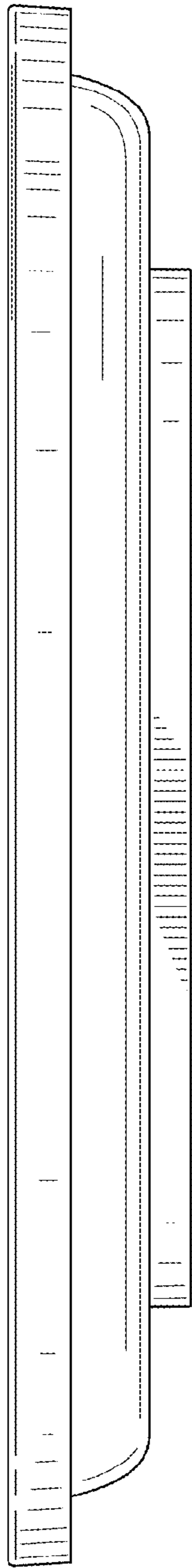


FIG. 4

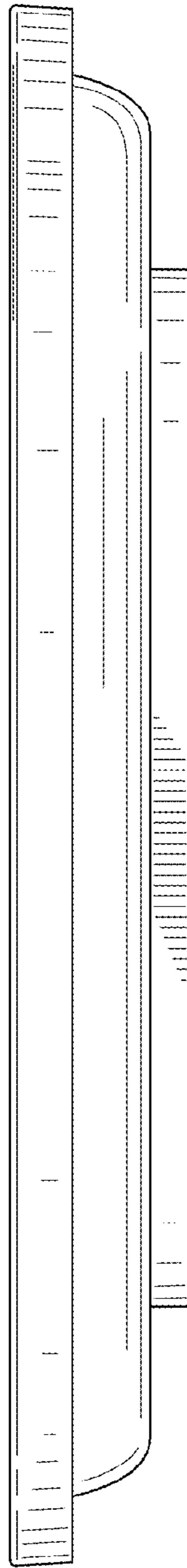


FIG. 5

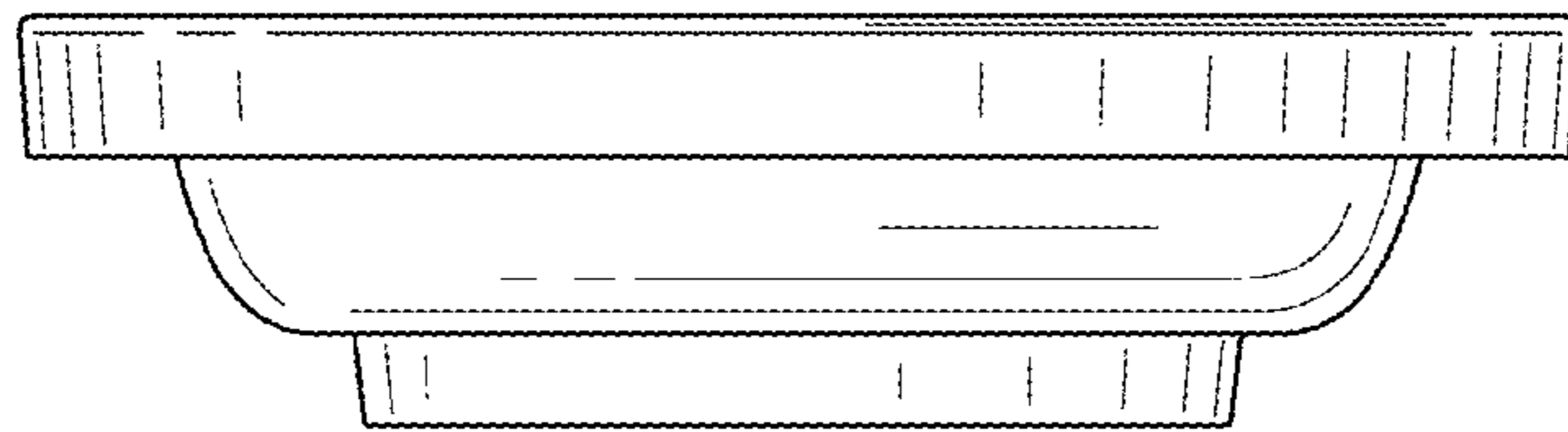


FIG. 6

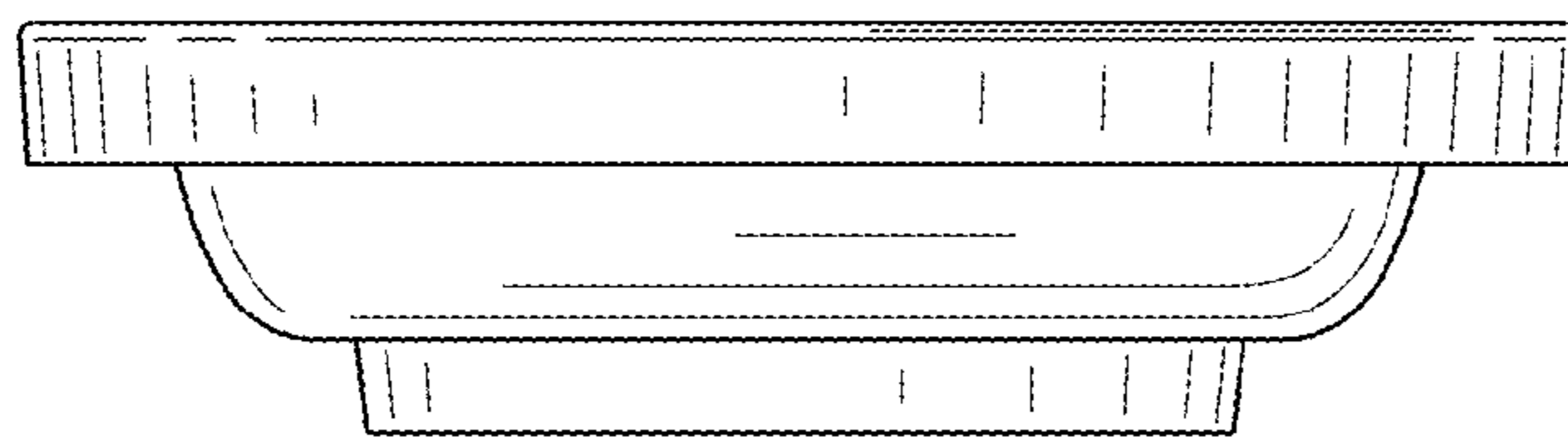


FIG. 7

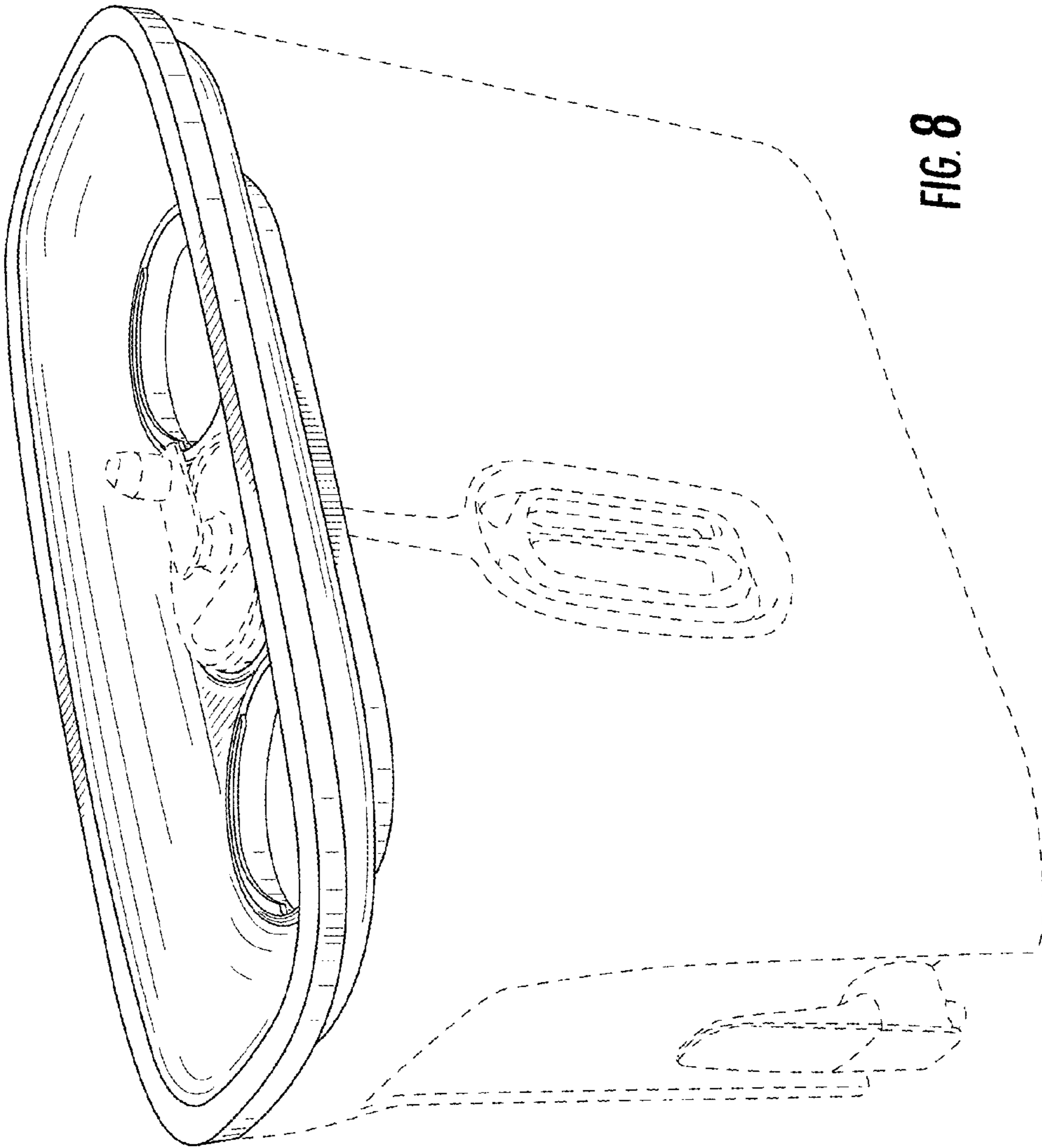


FIG. 8

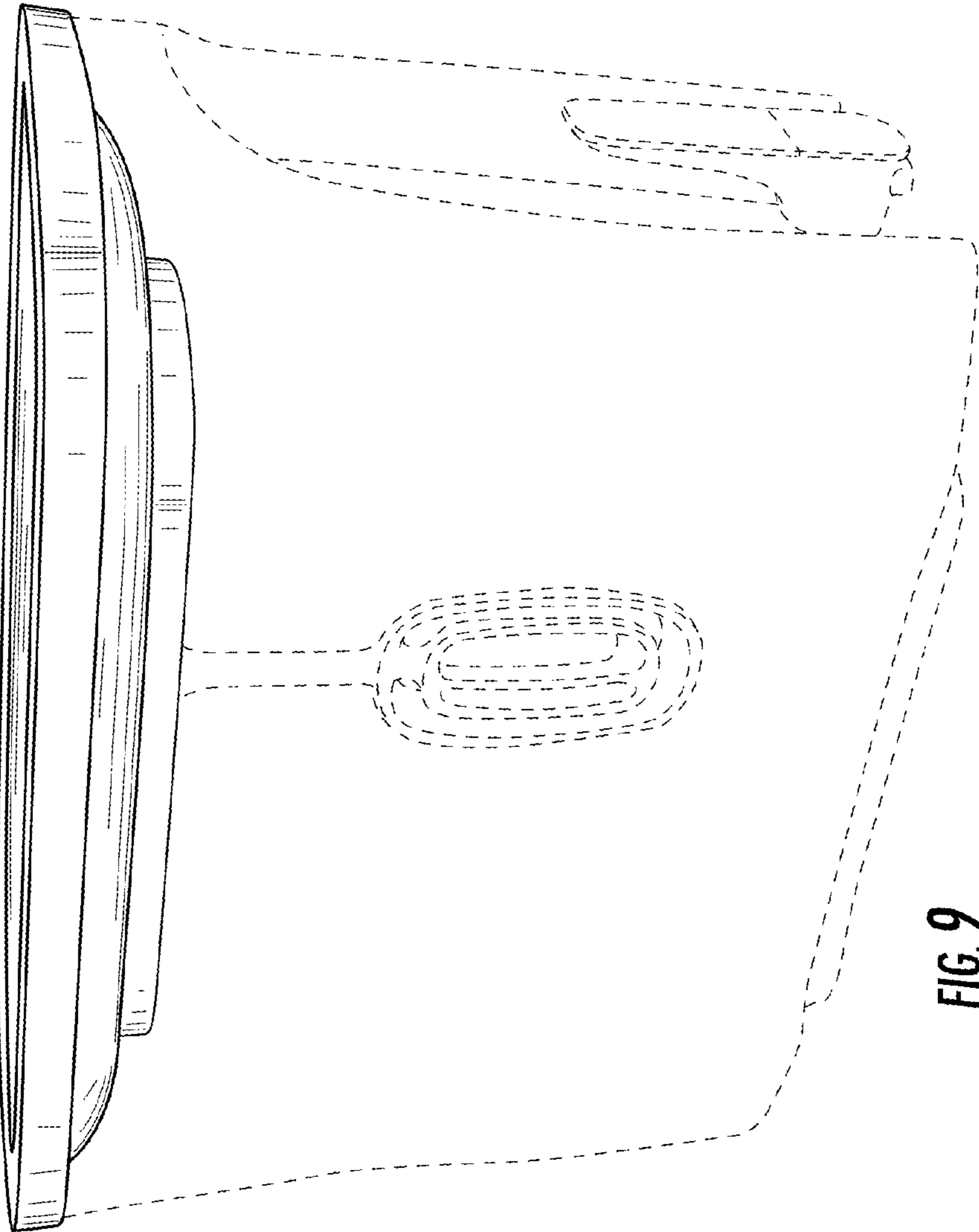


FIG. 9

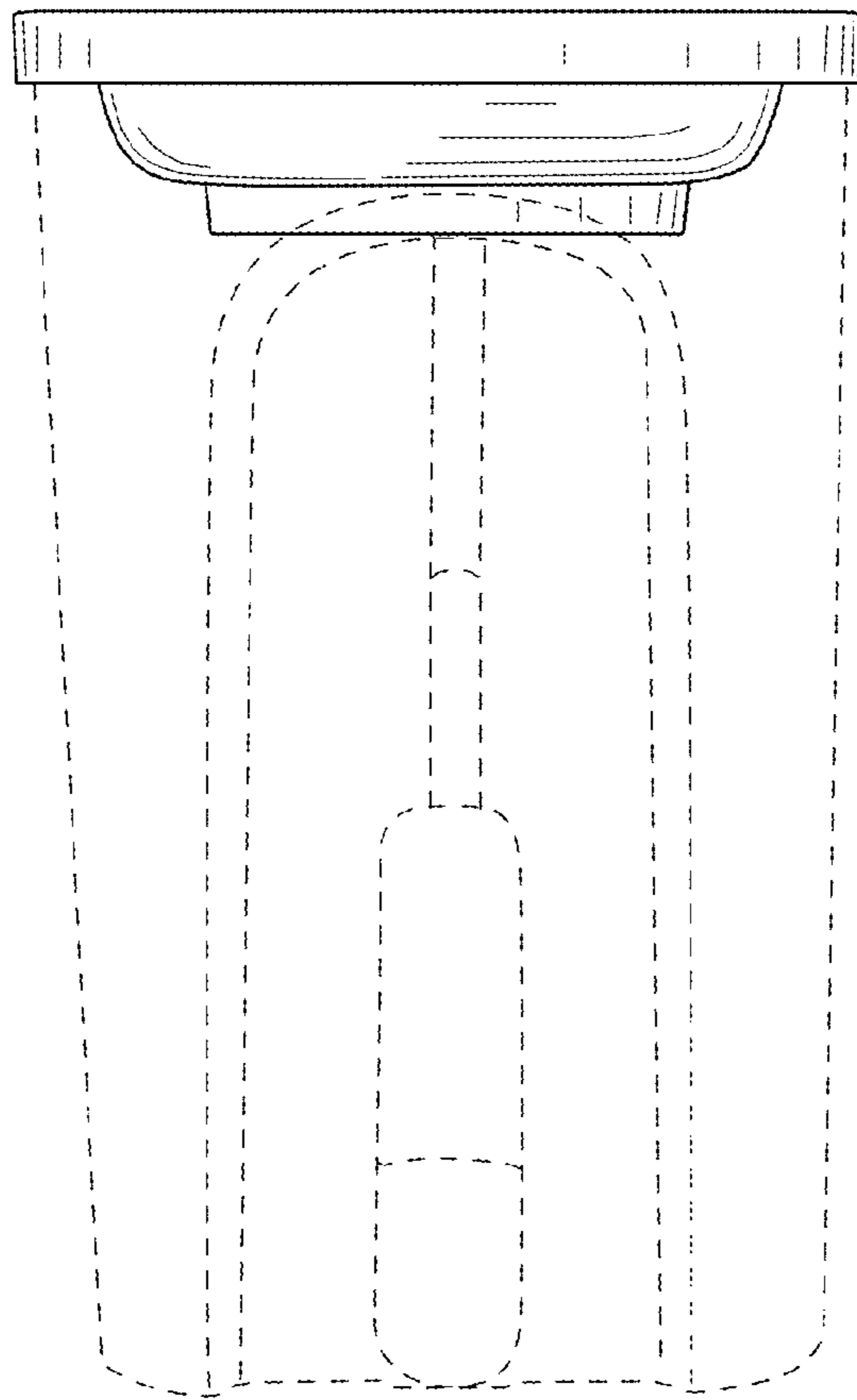


FIG. 10