



US00D745315S

(12) **United States Design Patent**  
**Perkins et al.**

(10) **Patent No.:** **US D745,315 S**

(45) **Date of Patent:** **\*\* Dec. 15, 2015**

(54) **HAND DOUGH MIXER**

(56) **References Cited**

(71) Applicants: **David Perkins**, Columbiana, OH (US);  
**Virginia B Perkins**, Columbiana, OH (US)

U.S. PATENT DOCUMENTS

(72) Inventors: **David Perkins**, Columbiana, OH (US);  
**Virginia B Perkins**, Columbiana, OH (US)

1,582,801	A *	4/1926	Szur .....	366/325.4
1,698,402	A *	1/1929	Harris .....	366/247
2,257,238	A *	9/1941	Hexter .....	366/185
D327,015	S *	6/1992	Stallings .....	D32/54
5,156,084	A *	10/1992	Lin .....	99/495
D391,804	S *	3/1998	Wong .....	D7/380
D395,194	S *	6/1998	Wong .....	D7/384
D426,744	S *	6/2000	Wong .....	D7/384
D433,594	S *	11/2000	Wong .....	D7/384
D480,613	S *	10/2003	Wong .....	D7/693
6,854,675	B2 *	2/2005	Wong .....	241/92
D575,099	S *	8/2008	Jalet .....	D7/376
7,744,026	B2 *	6/2010	Gregory et al. ....	241/92

(\*\*) Term: **14 Years**

(21) Appl. No.: **29/485,824**

\* cited by examiner

(22) Filed: **Mar. 24, 2014**

(51) **LOC (10) Cl.** ..... **31-00**

*Primary Examiner* — Ricky Pham

(52) **U.S. Cl.**  
USPC ..... **D7/376**

(74) *Attorney, Agent, or Firm* — Harpman & Harpman

(58) **Field of Classification Search**  
USPC ..... D7/372, 376–386, 412–413, 602, 629,  
D7/665–666, 669, 679, 693–694; D32/54  
CPC ..... A21C 1/02; A21C 1/04; A23N 1/00;  
A23N 1/02; A47J 42/34; A47J 43/04; A47J  
43/25; A47J 43/27; A47J 43/042; A47J  
43/044; A47J 43/046; A47J 43/06; A47J  
43/0705; A47J 43/075; A47J 43/0722; A47J  
43/0727; A47K 5/12; B01F 3/00; B01F  
3/0807; B01F 3/0853; B01F 7/00208; B01F  
13/0059; B01F 13/0064; B02C 1/08; B02C  
2/04; B02C 4/42; B02C 4/142; B02C 4/143;  
B02C 4/423; B02C 13/1835; B02C 5/10;  
B02C 5/12; B02C 5/14; B02C 5/16

(57) **CLAIM**

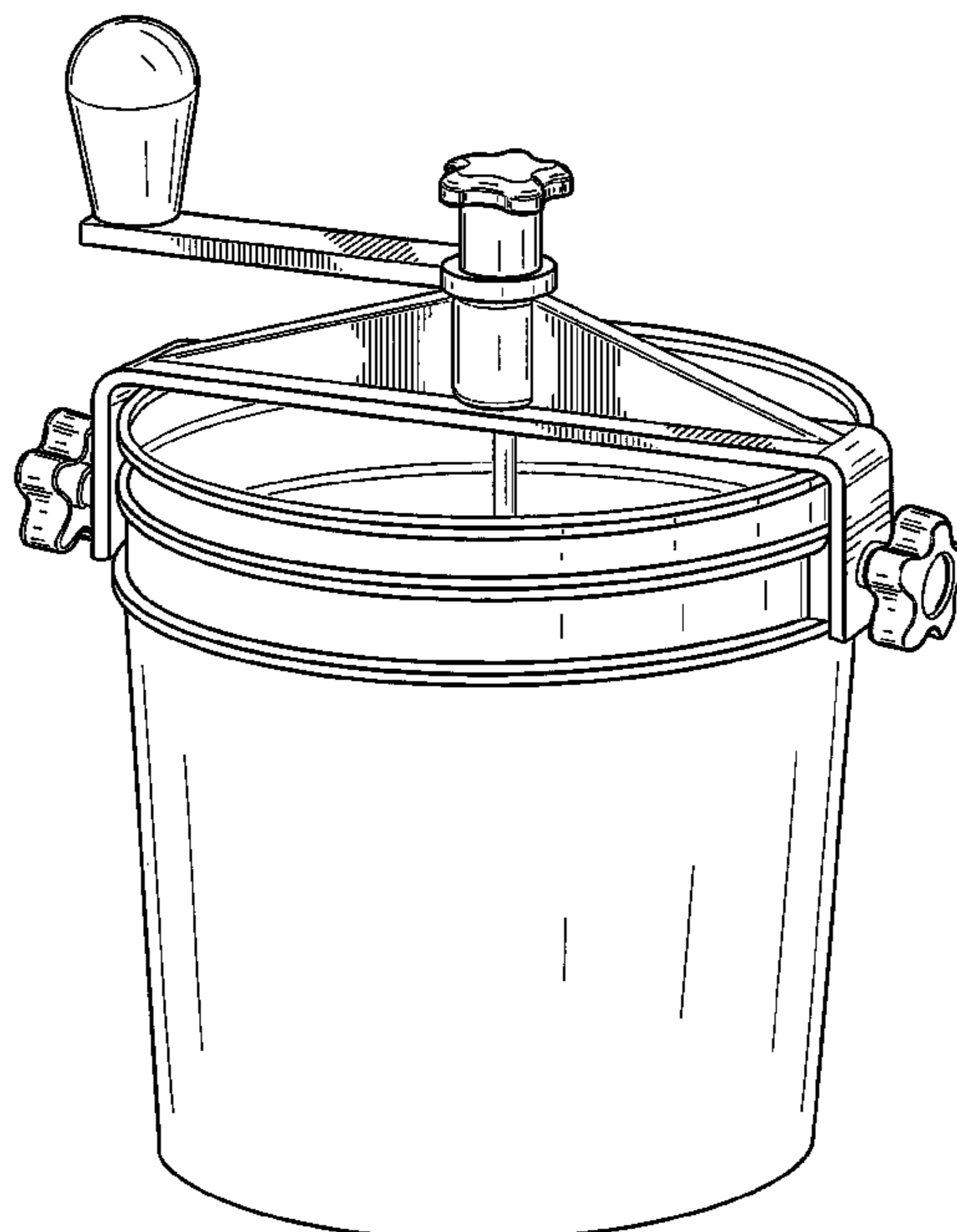
The ornamental design for a hand dough mixer, as shown and described.

**DESCRIPTION**

FIG. 1 is a front and side perspective view of the design for a hand dough mixer.  
FIG. 2 is a rear elevational view of the ornamental design for a hand dough mixer.  
FIG. 3 is a left side elevational view thereof.  
FIG. 4 is a right side elevational view thereof.  
FIG. 5 is a top plan view of the ornamental design for a hand dough mixer; and,  
FIG. 6 is a bottom plan view thereof.

See application file for complete search history.

**1 Claim, 6 Drawing Sheets**



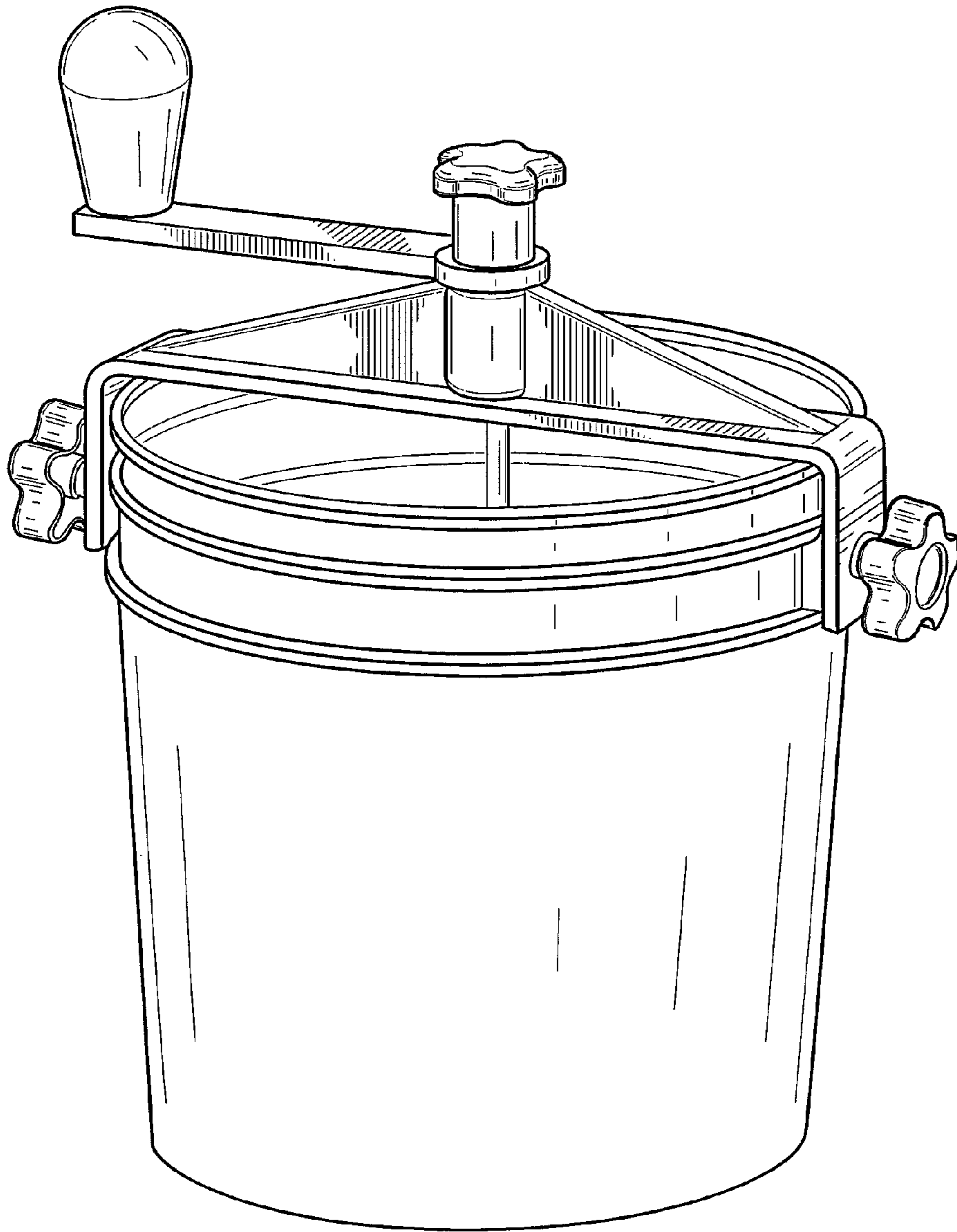


FIG. 1

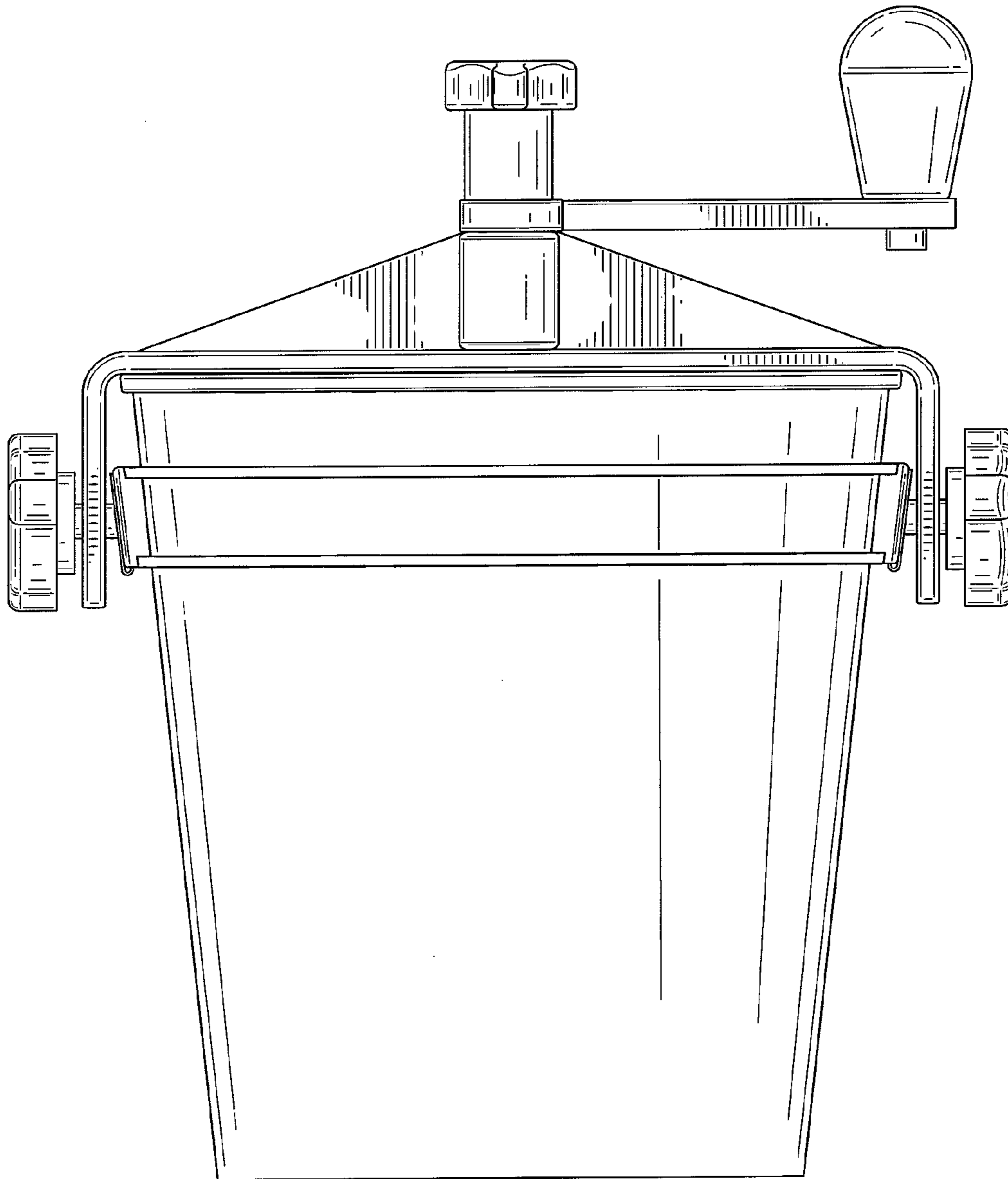
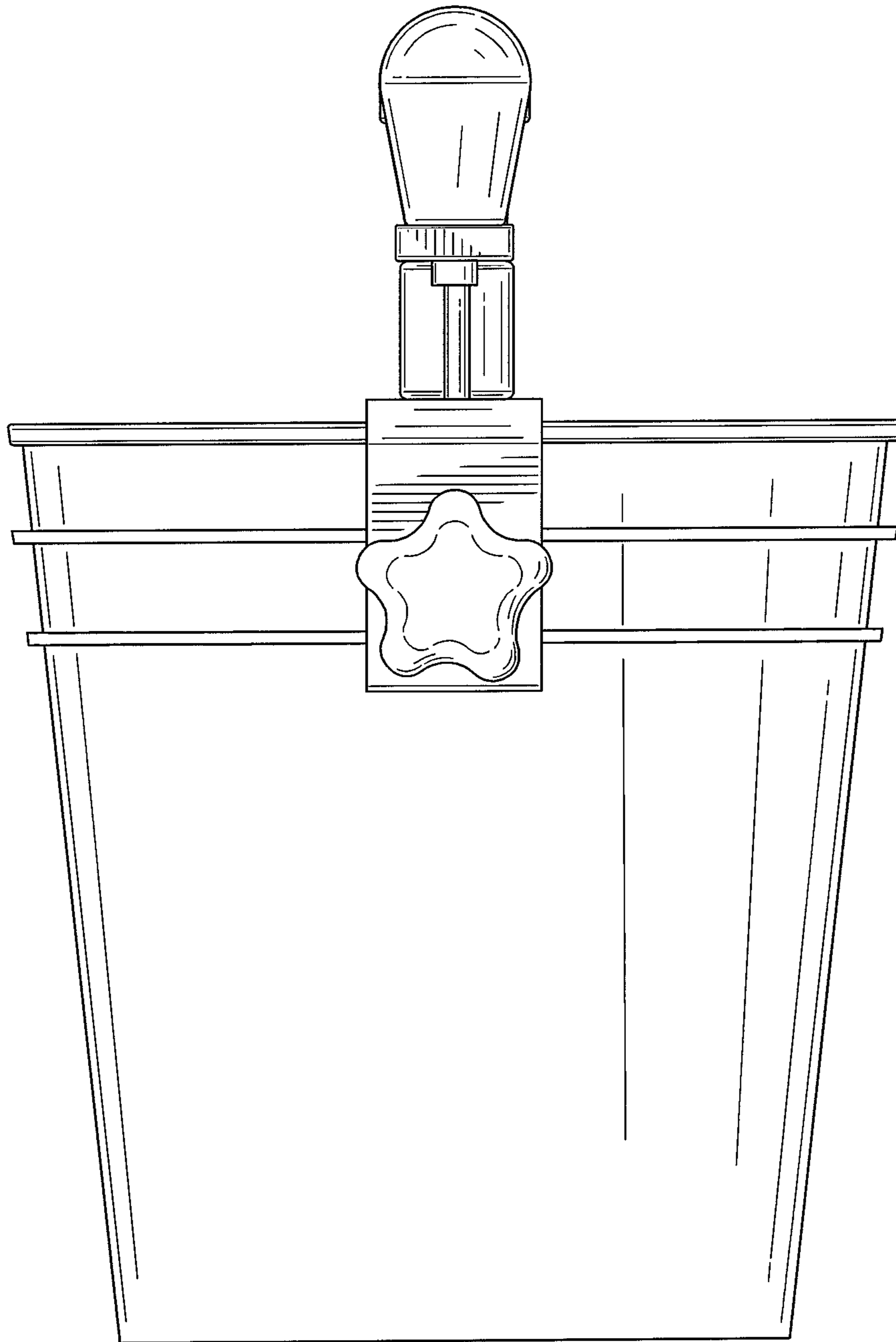


FIG. 2



**FIG. 3**

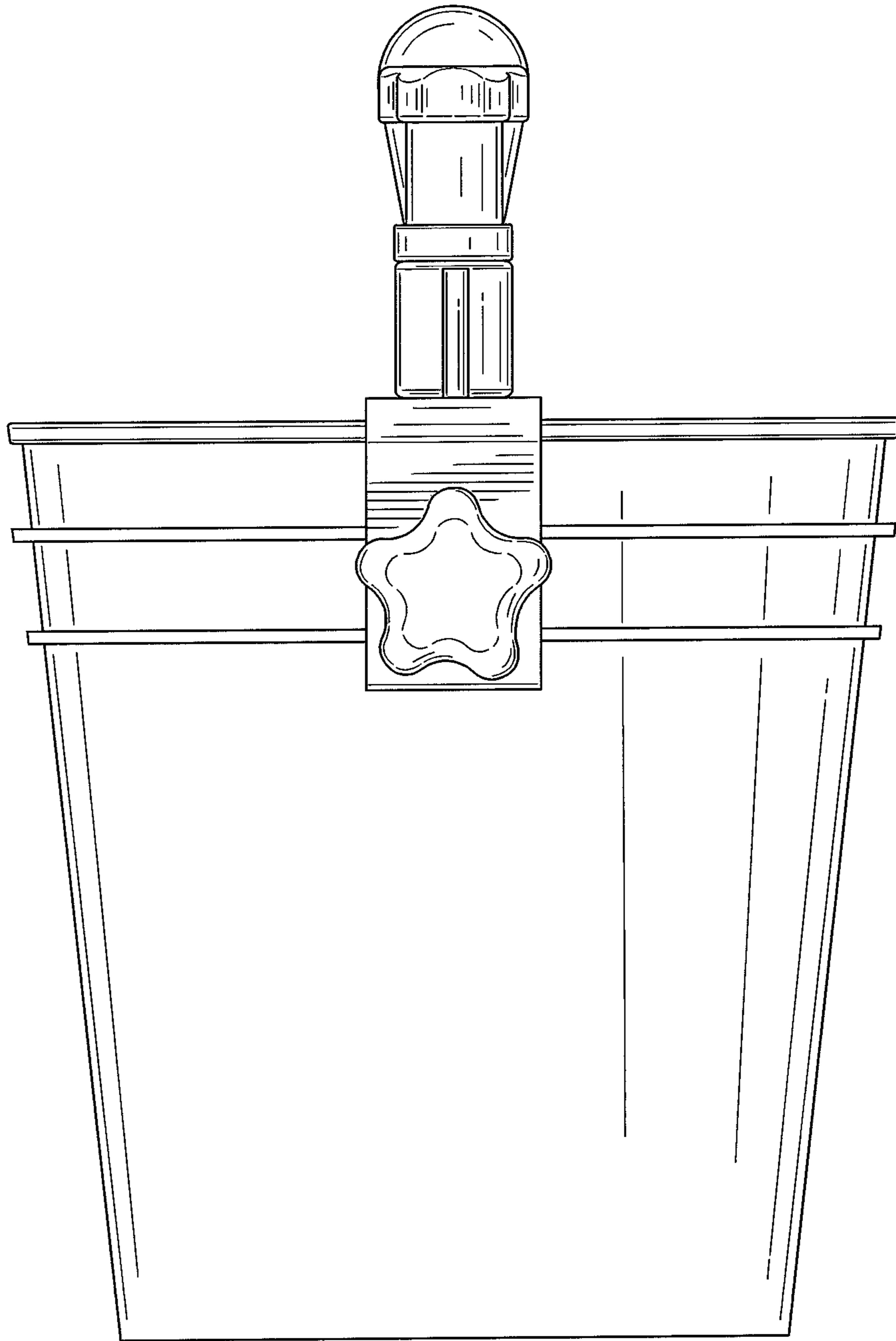


FIG. 4

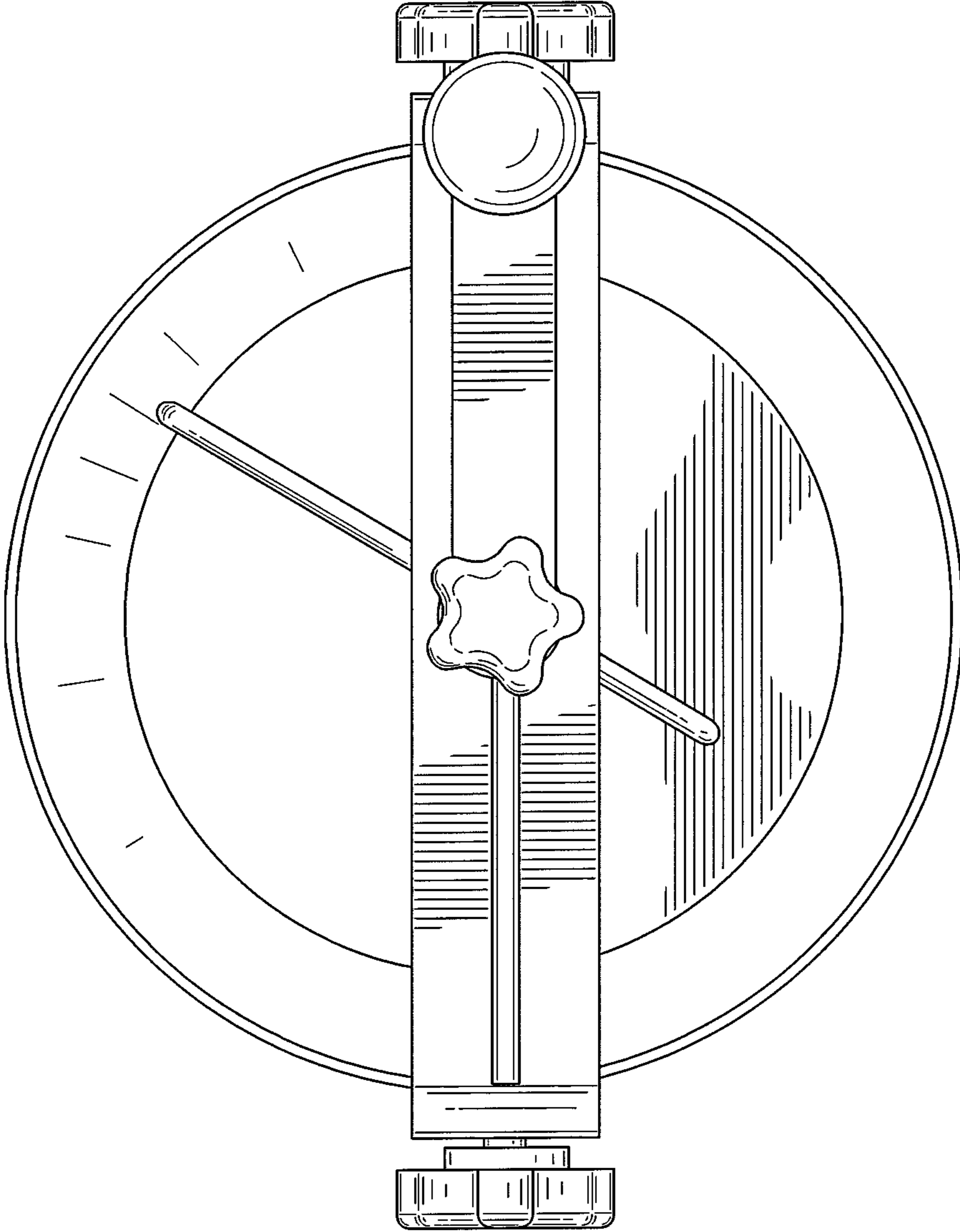


FIG. 5

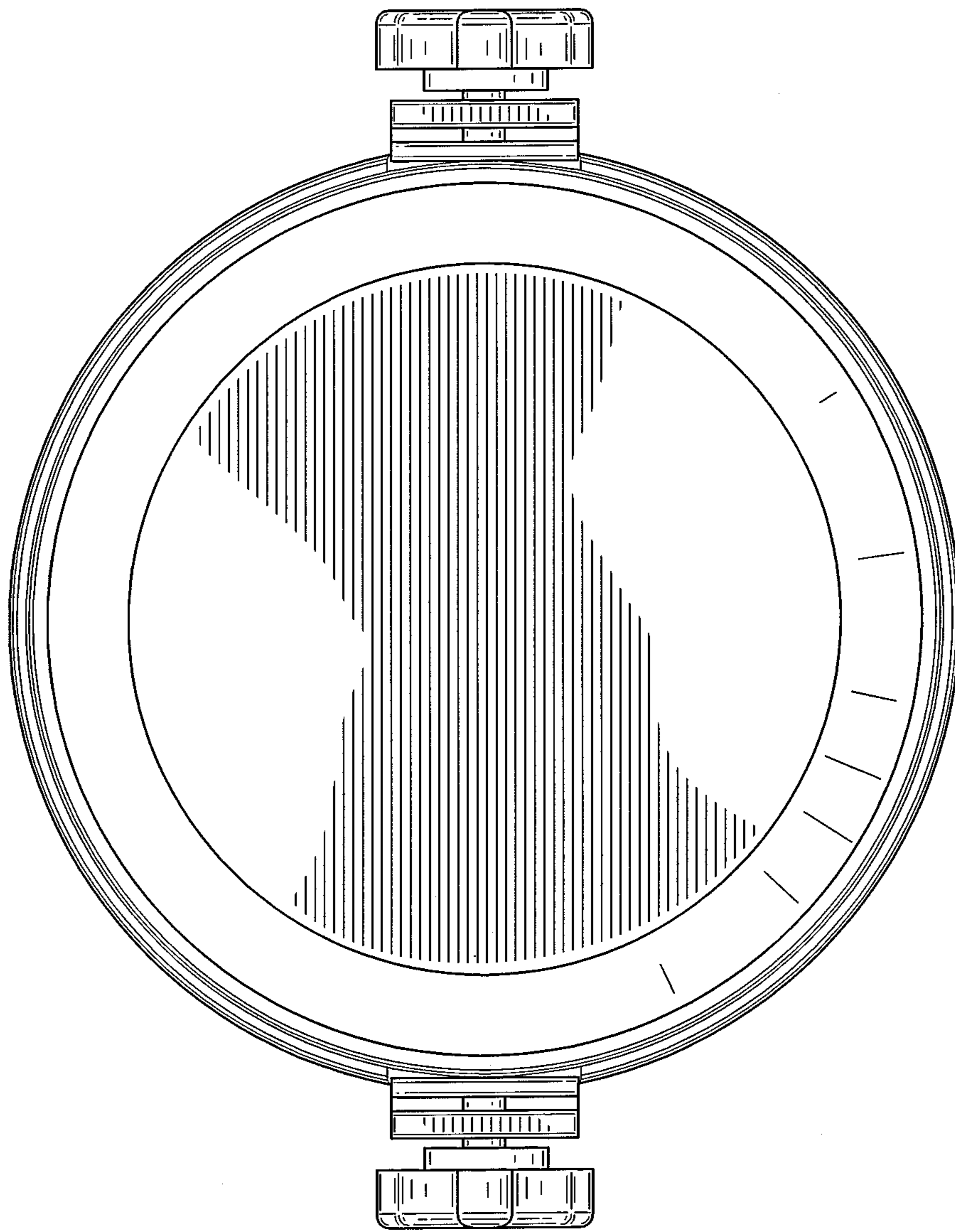


FIG. 6