



US00D745314S

(12) **United States Design Patent**
Haft

(10) **Patent No.:** **US D745,314 S**
(45) **Date of Patent:** **** Dec. 15, 2015**

(54) **GRINDER FUNNEL**

(71) Applicant: **Jonathan Haft**, Basalt, CO (US)

(72) Inventor: **Jonathan Haft**, Basalt, CO (US)

(**) Term: **14 Years**

(21) Appl. No.: **29/487,541**

(22) Filed: **Apr. 9, 2014**

(51) **LOC (10) Cl.** **31-00**

(52) **U.S. Cl.**
USPC **D7/372**

(58) **Field of Classification Search**

USPC D7/372-373, 376-386, 412-413, 602,
D7/629, 665-666, 669, 679, 693-694;
D8/62; D15/125, 150; D24/221;
D30/121, 129
CPC A01K 39/0125; A21C 1/02; A21C 1/04;
A23N 1/00; A23N 1/02; A47J 43/04; A47J
43/25; A47J 43/27; A47J 43/042; A47J
43/044; A47J 43/046; A47J 43/075; A47J
43/0722; A47J 43/0727; B01F 3/00; B01F
3/0807; B01F 3/0853; B01F 13/0059; B01F
13/0064; B02C 1/08; B02C 2/04; B02C 4/42;
B02C 4/142; B02C 4/143; B02C 4/423;
B02C 13/1835; B25B 27/0042; B28C 5/10;
B28C 5/12; B28C 5/14; B28C 5/16; B65D
47/122

See application file for complete search history.

(56) **References Cited**

U.S. PATENT DOCUMENTS

D218,831	S	*	9/1970	Leeming	D30/129
3,537,623	A	*	11/1970	Fisher	222/460
D255,714	S	*	7/1980	Lancellotti	D24/221
5,259,426	A	*	11/1993	Burleigh et al.	141/98
D391,274	S	*	2/1998	Gasior	D15/150
5,941,193	A	*	8/1999	Cole	119/57.4

(Continued)

OTHER PUBLICATIONS

PuffMart website, www.puffmart.com, "4 Part Herb Funnel," dated Feb. 21, 2014.

(Continued)

Primary Examiner — Ricky Pham

(74) *Attorney, Agent, or Firm* — Marsh Fischmann & Breyfogle, LLP; Jonathon A. Szummy

(57) **CLAIM**

The ornamental design for the "grinder funnel," as shown and described.

DESCRIPTION

FIG. 1 is a perspective view of a first embodiment of the grinder funnel, where a plug is inserted into one end of the grinder funnel and a grinder is connected with another end of the grinder funnel.

FIG. 2 is an exploded perspective view of the grinder funnel, plug and grinder of FIG. 1.

FIG. 3 is an exploded perspective view of the grinder funnel, plug and grinder of FIG. 1, taken from a different perspective from that of FIG. 2.

FIG. 4 is a front view of the grinder funnel of FIG. 1.

FIG. 5 is a rear view of the grinder funnel of FIG. 1.

FIG. 6 is a left side view of the grinder funnel of FIG. 1.

FIG. 7 is a right side view of the grinder funnel of FIG. 1.

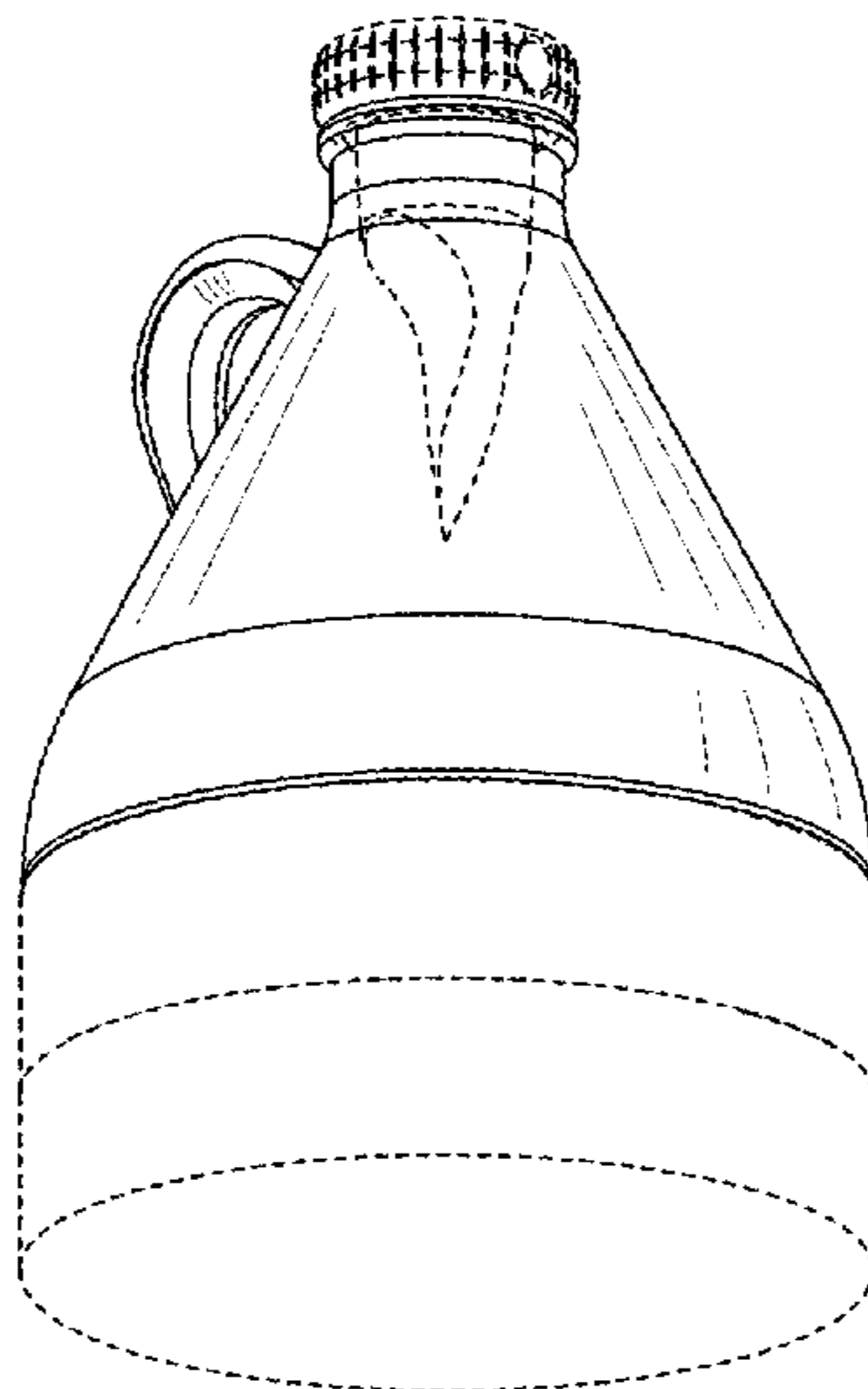
FIG. 8 is a top view of the grinder funnel of FIG. 1.

FIG. 9 is a bottom view of the grinder funnel of FIG. 1; and,

FIG. 10 is a second embodiment of FIG. 1, the only difference being the lack of surface treatment of the grinder funnel in FIG. 10, it being understood that all other surfaces are the same as those of the first embodiment.

The broken lines depict environmental and non-claimed subject matter and form no part of the claimed design.

1 Claim, 7 Drawing Sheets



(56)

References Cited

U.S. PATENT DOCUMENTS

D509,837 S * 9/2005 Sesona D15/125
D512,538 S * 12/2005 Bird et al. D30/121
D625,054 S * 10/2010 Nowacek D30/121
8,083,167 B1 12/2011 Namakian et al.
D653,905 S * 2/2012 Bodum D7/373

D708,921 S * 7/2014 Hoare et al. D8/62
2004/0149843 A1 * 8/2004 Tang 241/272

OTHER PUBLICATIONS

DH Gate website, www.dhgate.com, "Wholesale—Funnel Mill Herb Grinder," dated Feb. 21, 2014.

* cited by examiner

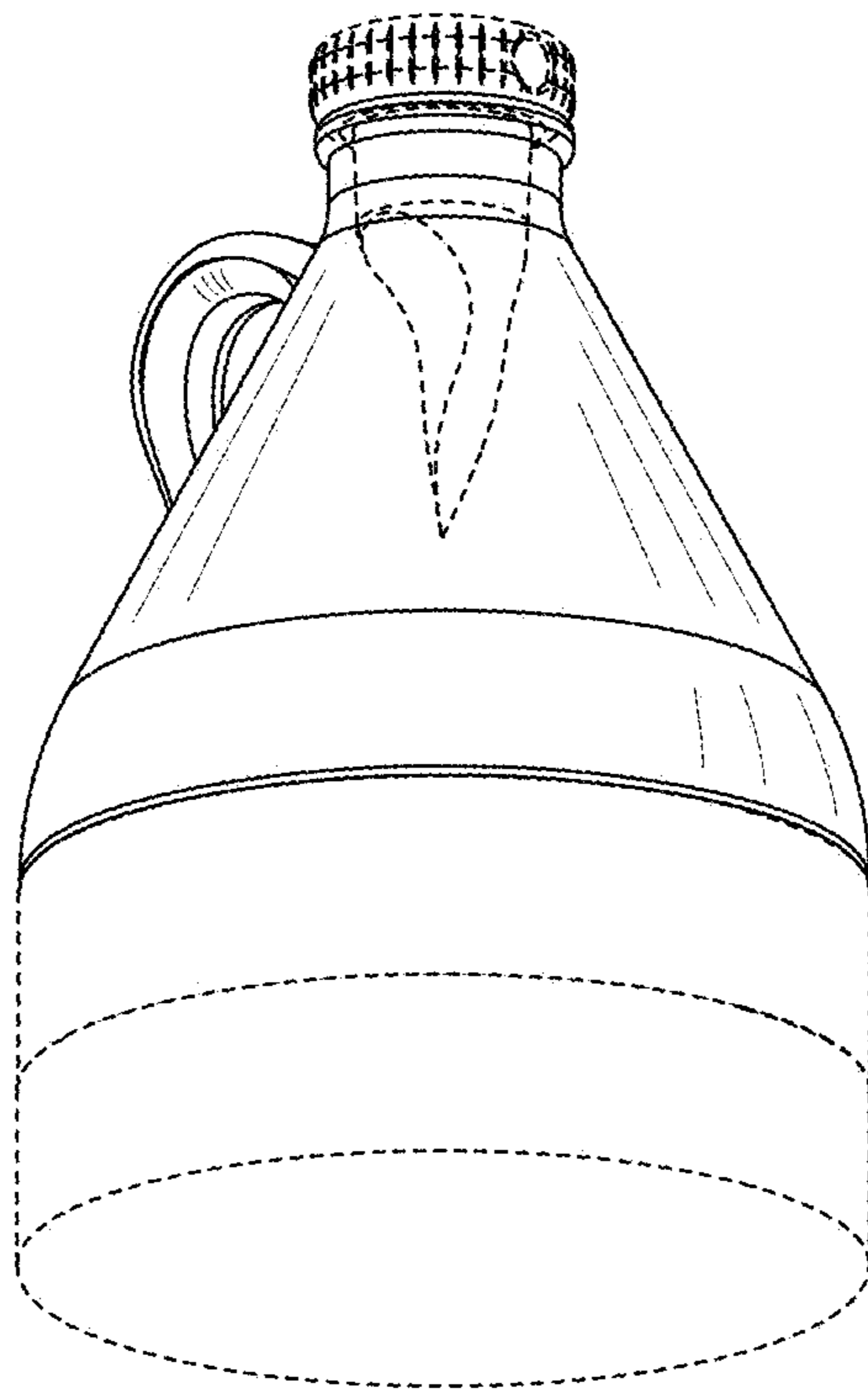


Fig. 1

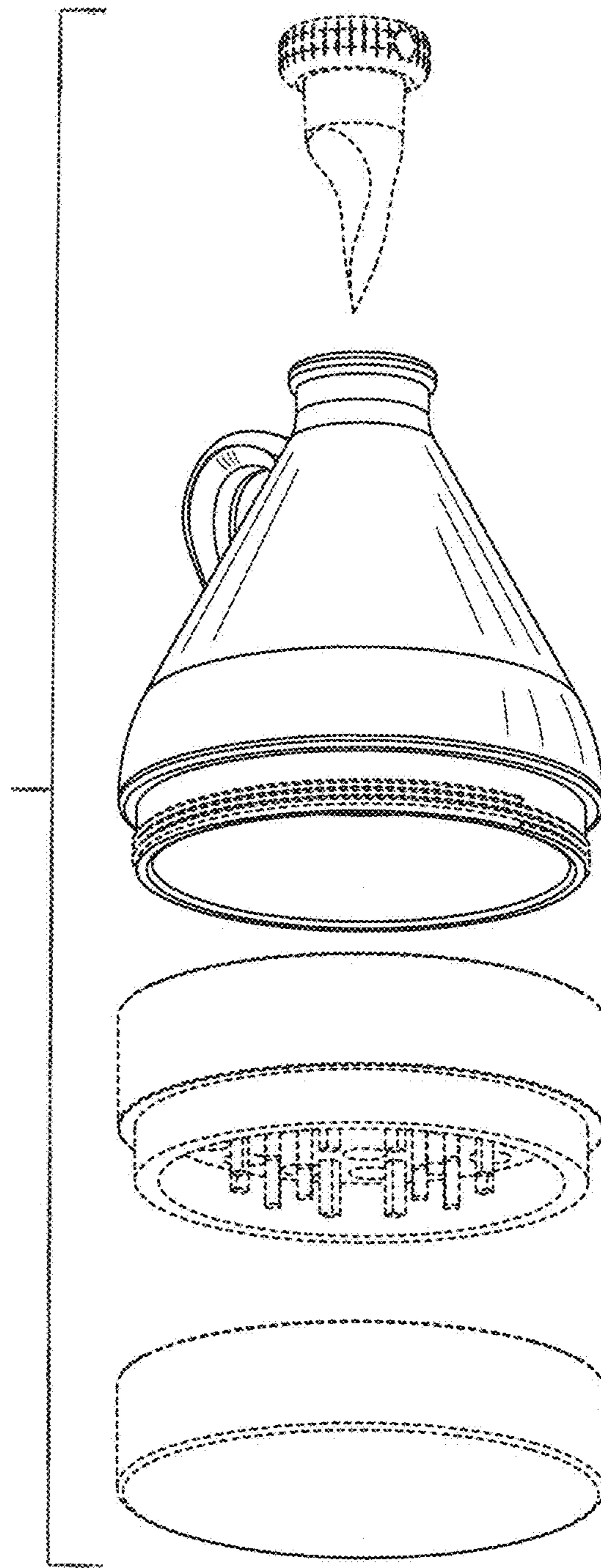


Fig. 2

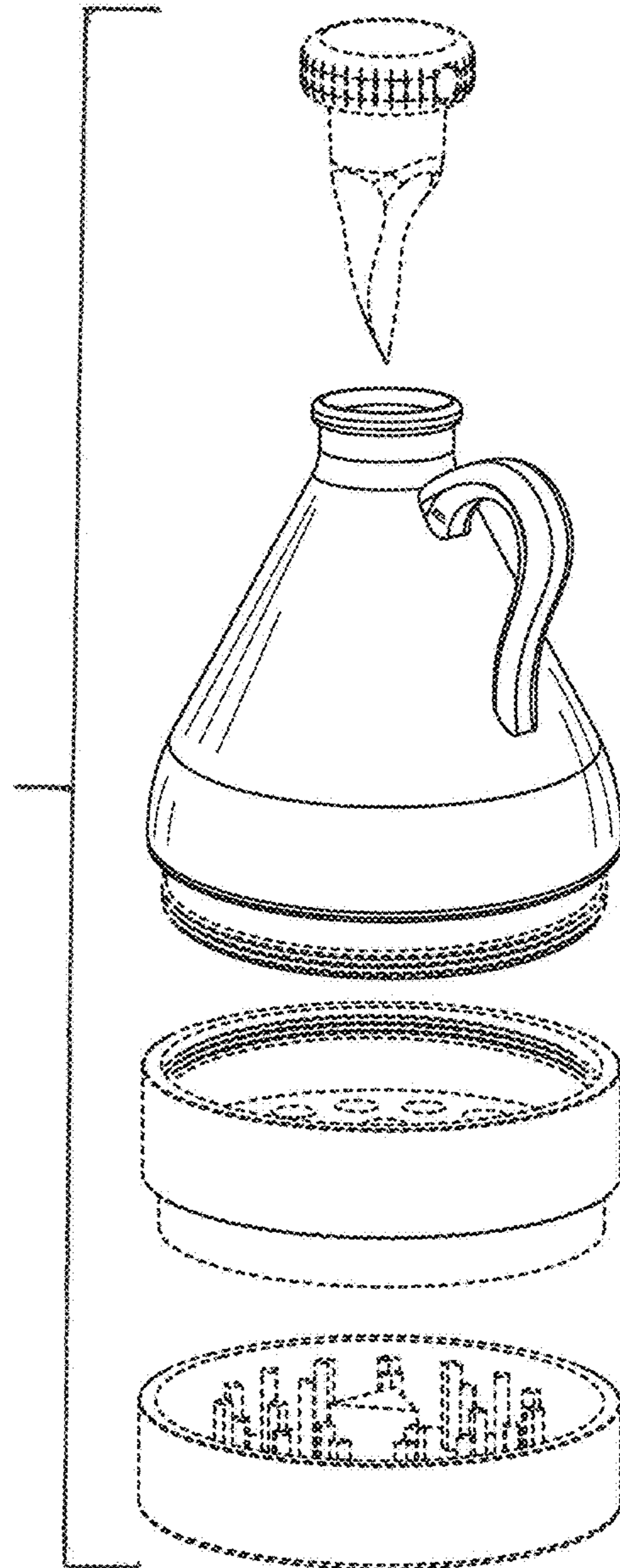


Fig. 3

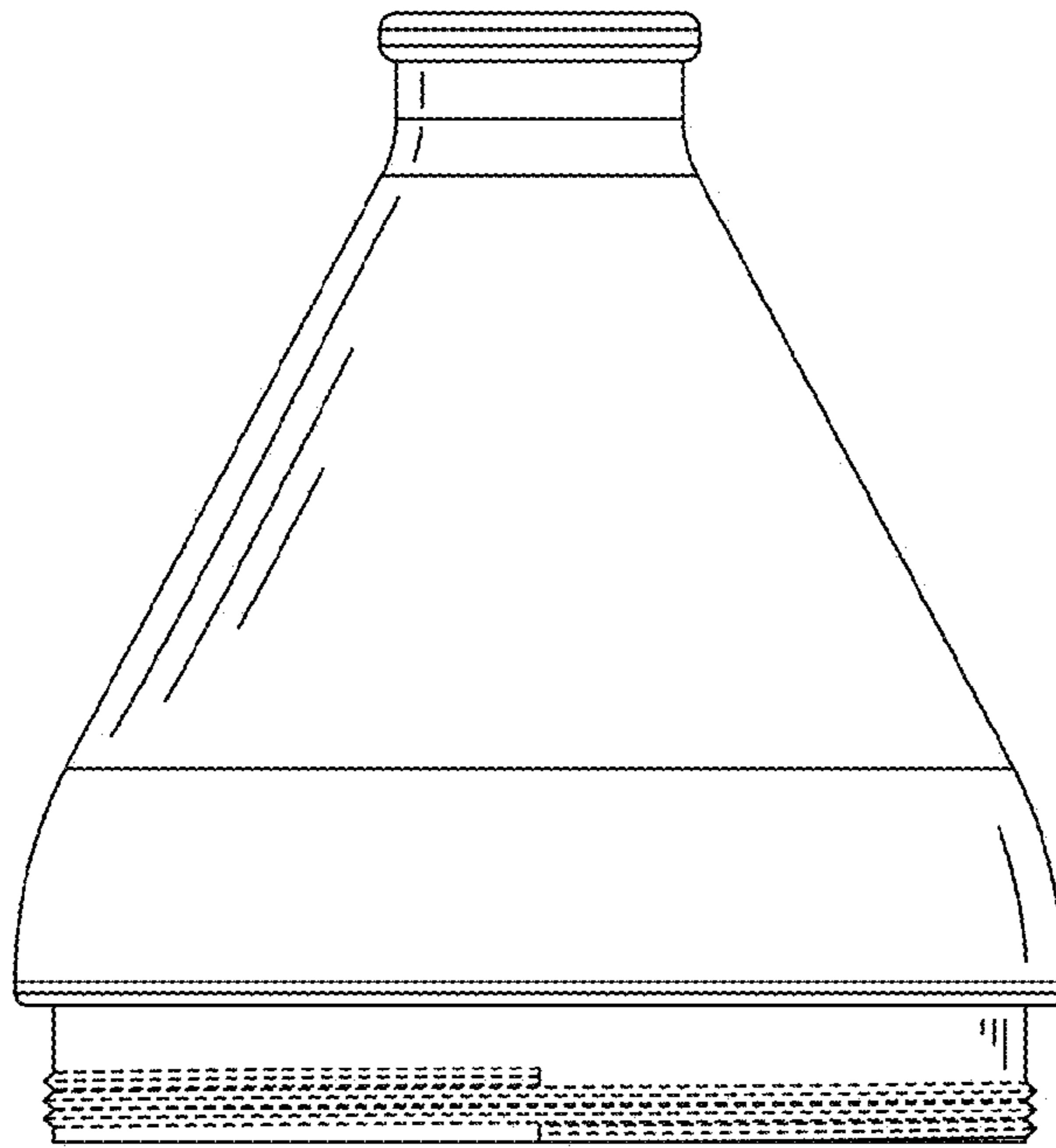


Fig. 4

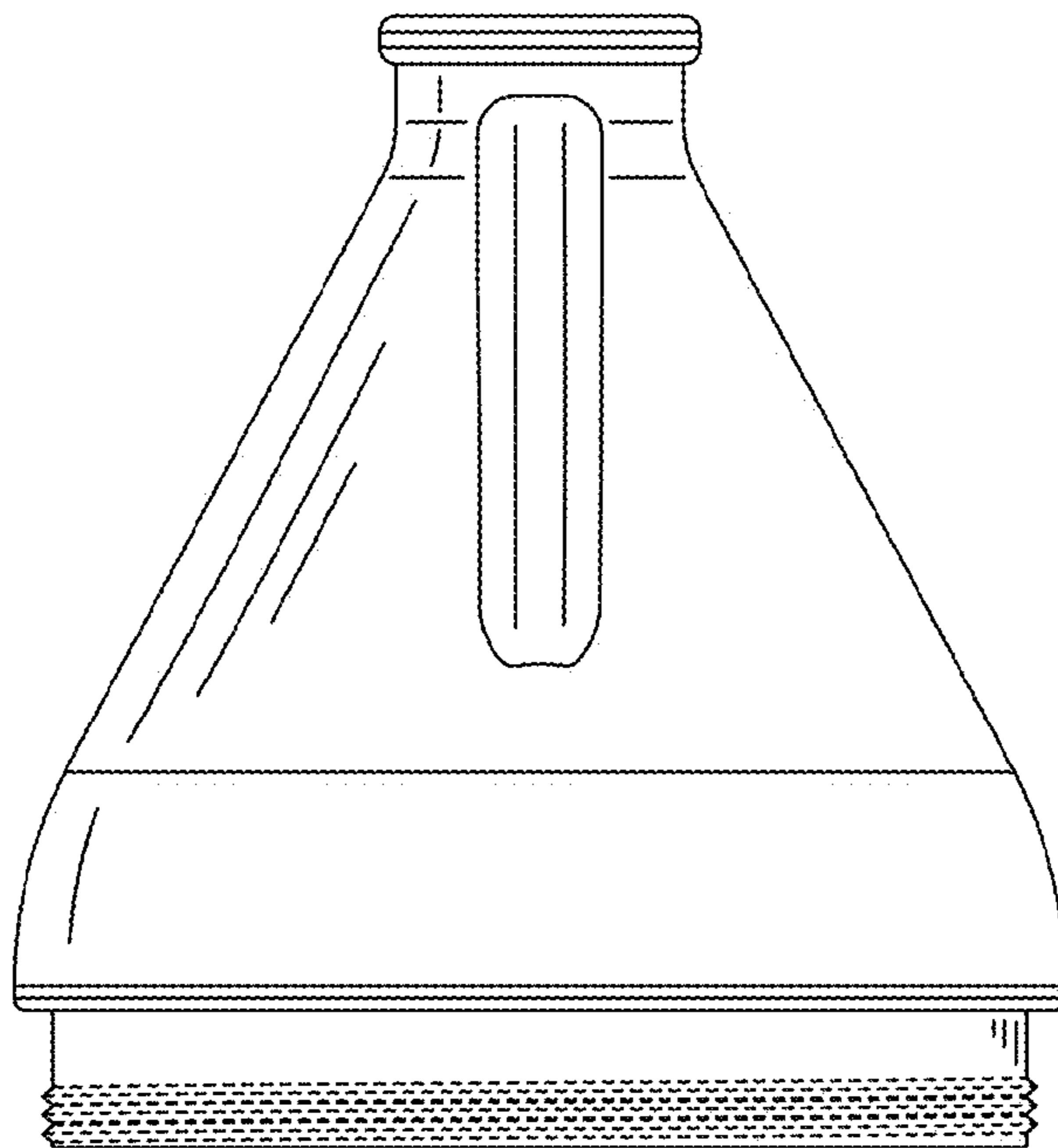


Fig. 5

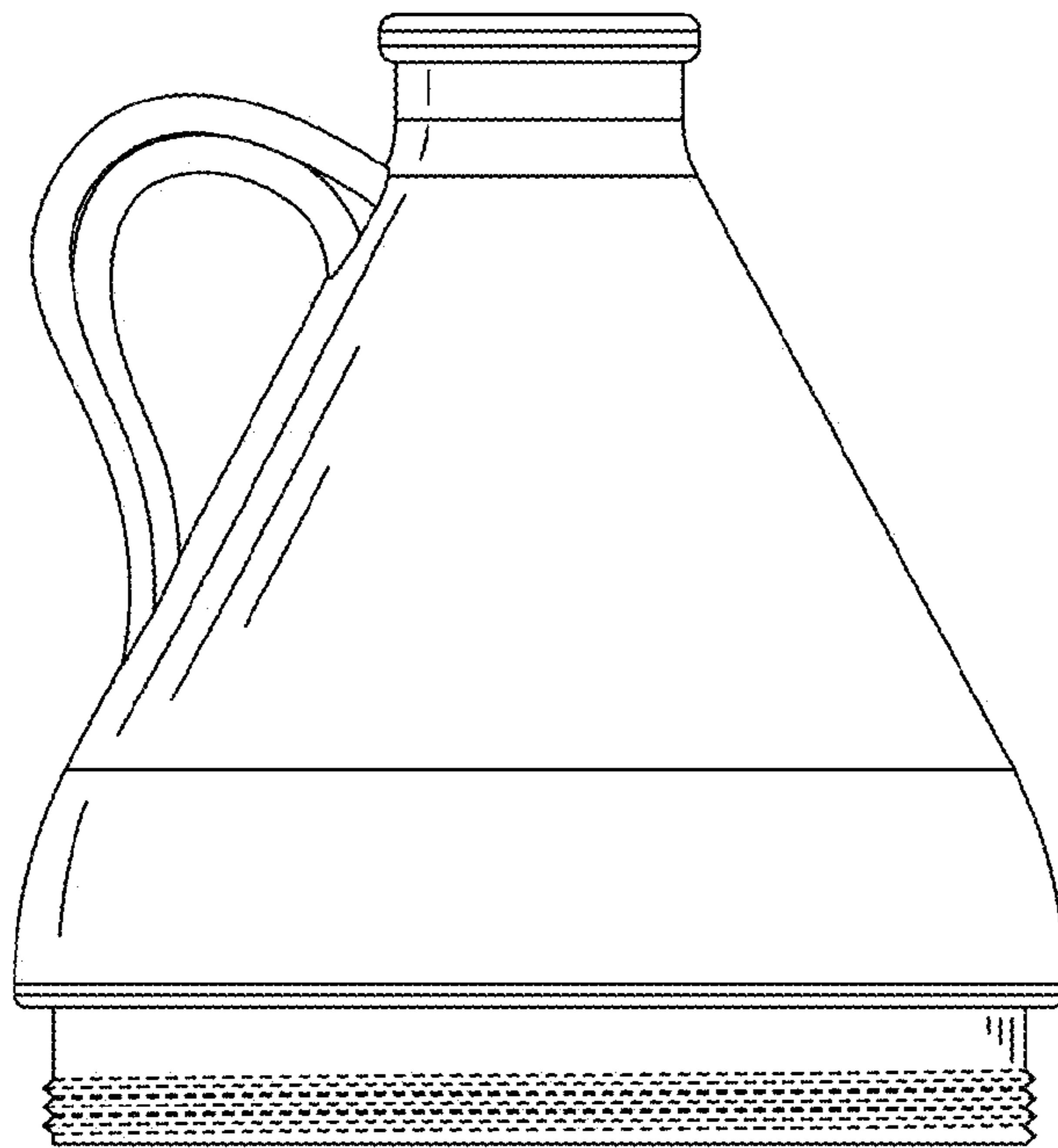


Fig. 6

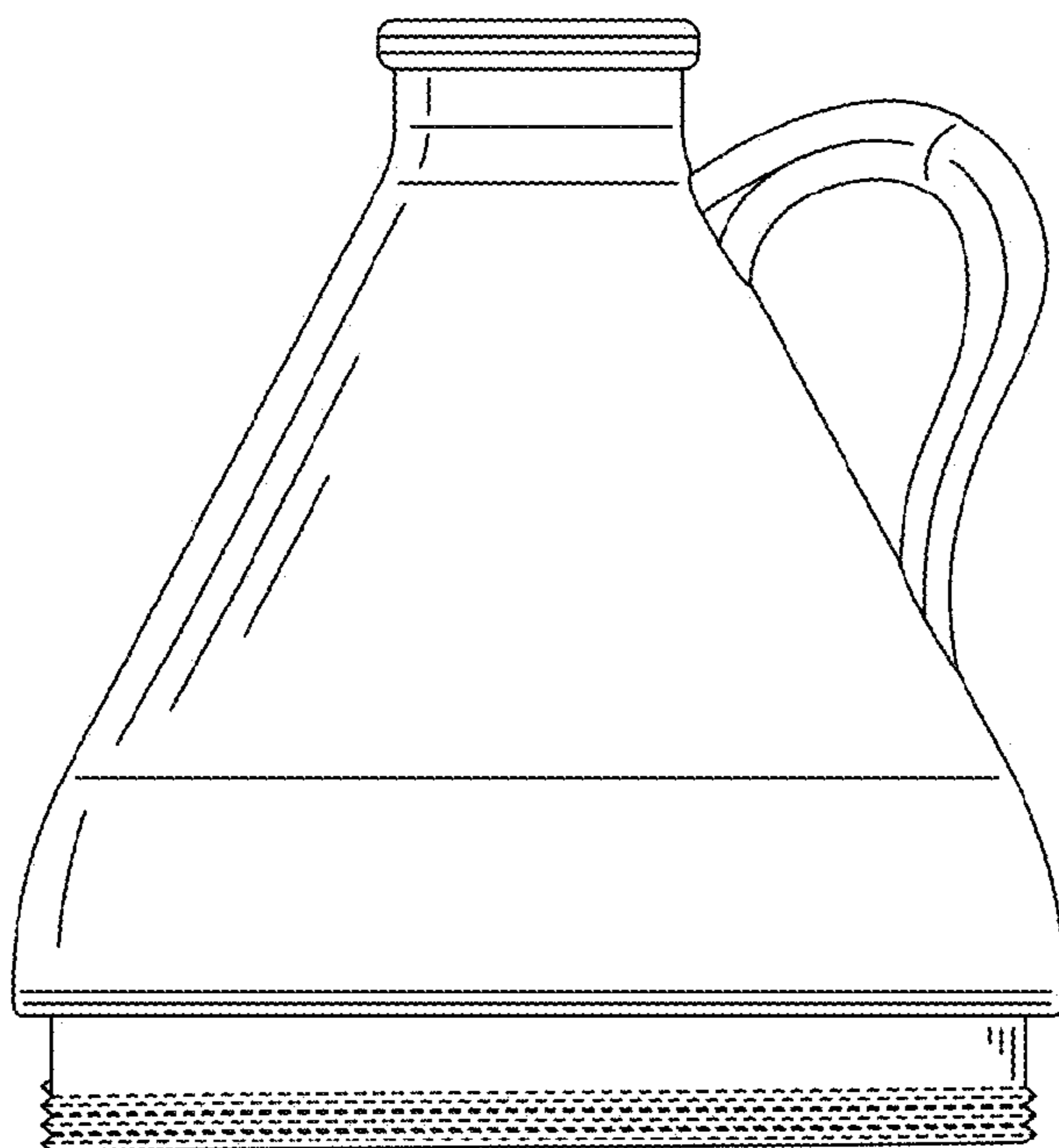


Fig. 7

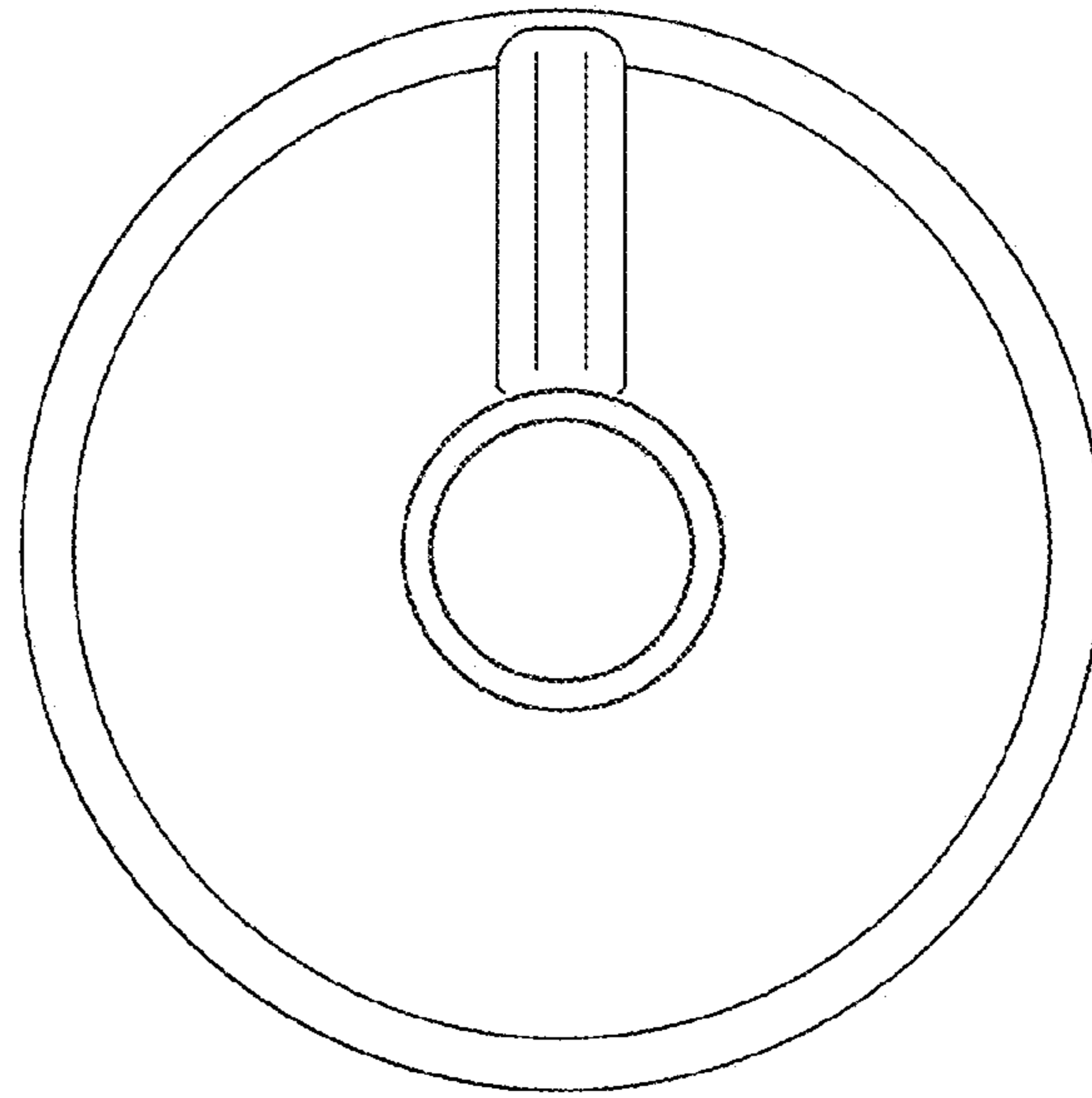


Fig. 8

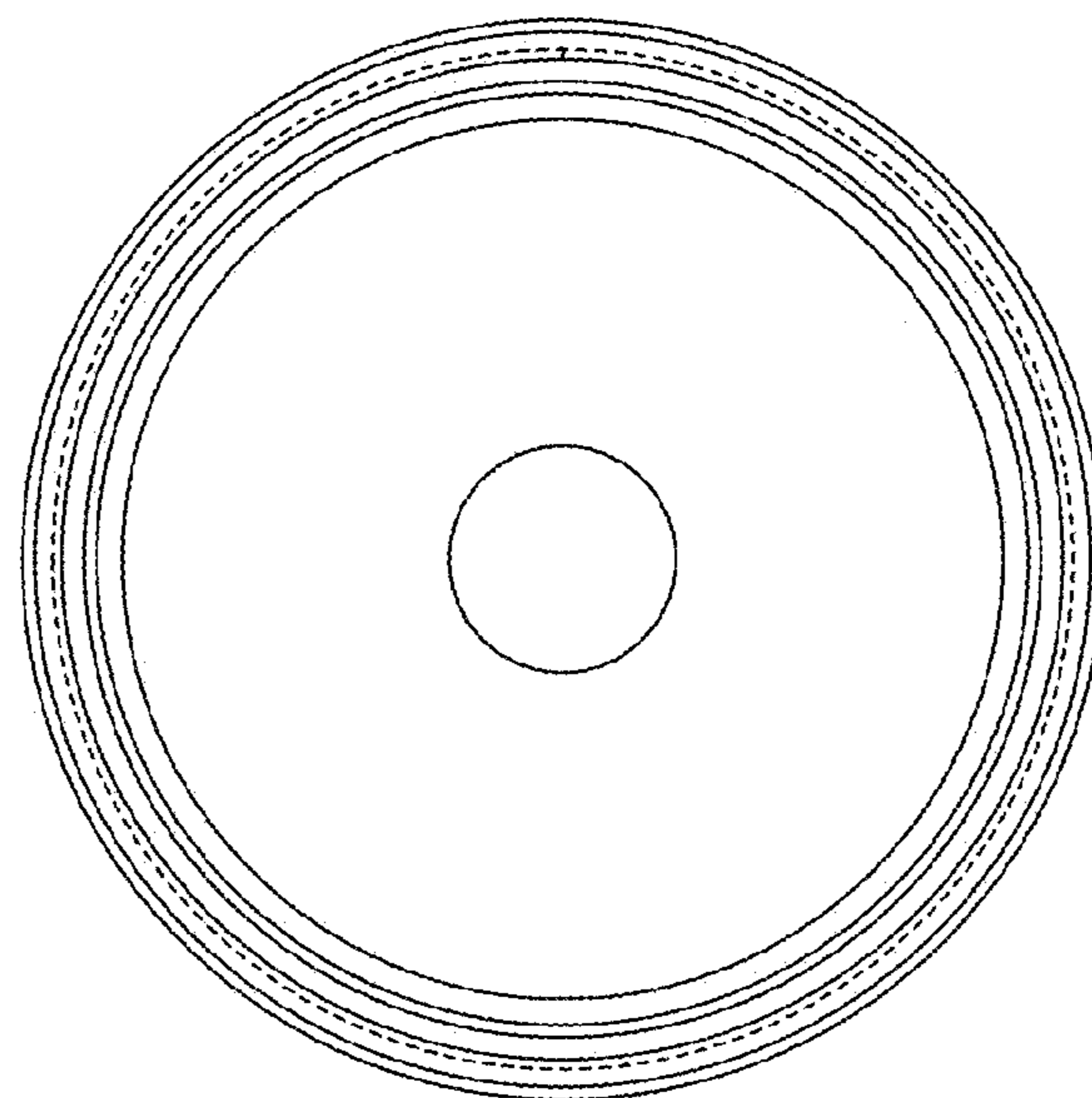


Fig. 9

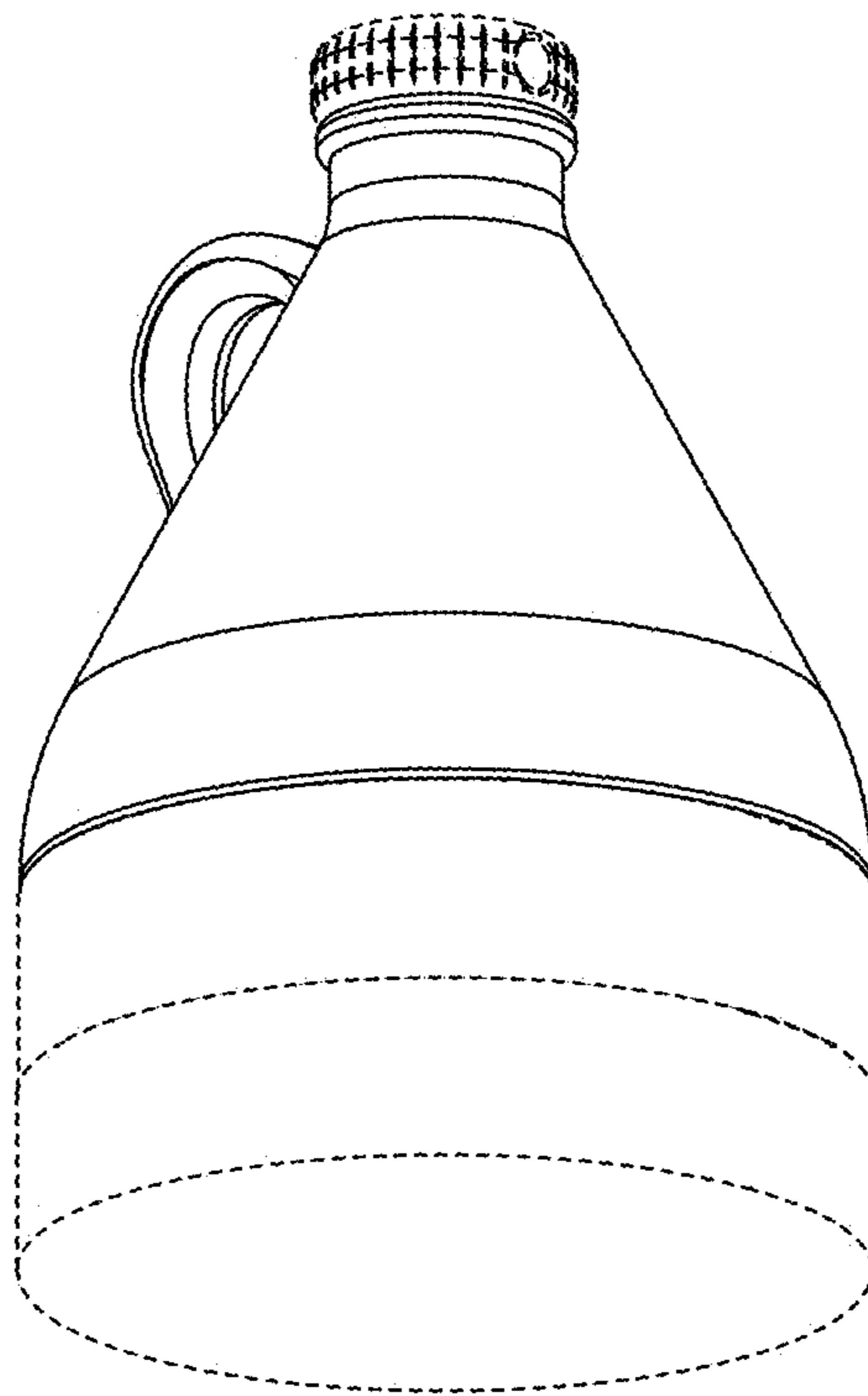


Fig. 10