



US00D745313S

(12) **United States Design Patent**  
**Mowry**

(10) **Patent No.:** **US D745,313 S**

(45) **Date of Patent:** **\*\* Dec. 15, 2015**

(54) **COMBINED VACUUM AND STERILIZING APPLIANCE**

6,971,418 B2 \* 12/2005 De Costa ..... 141/65  
D584,563 S \* 1/2009 Sakata ..... D7/351  
8,915,093 B2 \* 12/2014 Espinosa ..... 62/100

(71) Applicant: **Eric Mowry**, Leesburg, VA (US)

\* cited by examiner

(72) Inventor: **Eric Mowry**, Leesburg, VA (US)

*Primary Examiner* — Terry Wallace

(\*\*) Term: **14 Years**

(57) **CLAIM**

(21) Appl. No.: **29/463,852**

The ornamental design for a combined vacuum and sterilizing appliance, as shown and described.

(22) Filed: **Mar. 20, 2014**

**DESCRIPTION**

(51) **LOC (10) Cl.** ..... **31-00**

(52) **U.S. Cl.**  
USPC ..... **D7/368**; D7/351

(58) **Field of Classification Search**  
USPC ..... D7/368, 350.1–350.4, 351; 34/92;  
141/65, 66; 99/471, 472, 467, 468;  
62/78, 100, 169, 176.1, 270  
CPC .. B65D 81/20; B65D 31/047; B65D 81/2007;  
A23L 3/3418; F26B 25/12; F25D 2317/0417  
See application file for complete search history.

FIG. 1 is a top, front, side perspective view of a combined vacuum and sterilizing appliance showing my new design.  
FIG. 2 is a top, front, other side view thereof, with the door open.  
FIG. 3 is a front view of FIG. 2.  
FIG. 4 is a top, rear perspective view thereof; and,  
FIG. 5 is a right side view thereof.

The combined vacuum and sterilizing appliance is an electrical appliance that uses vacuum and sterilizing technology to maintain food freshness without the need for refrigeration. It takes the air out of the interior of the unit and uses a UV light to sterilize the unit from bacteria growing inside the unit. This allows food to stay fresher for much longer in any climate and makes more room available inside the refrigerator.

(56) **References Cited**

**U.S. PATENT DOCUMENTS**

4,065,857 A \* 1/1978 Nelson et al. .... 99/468  
5,946,919 A \* 9/1999 McKinney et al. .... 62/78  
5,964,255 A \* 10/1999 Schmidt ..... 141/65

**1 Claim, 5 Drawing Sheets**

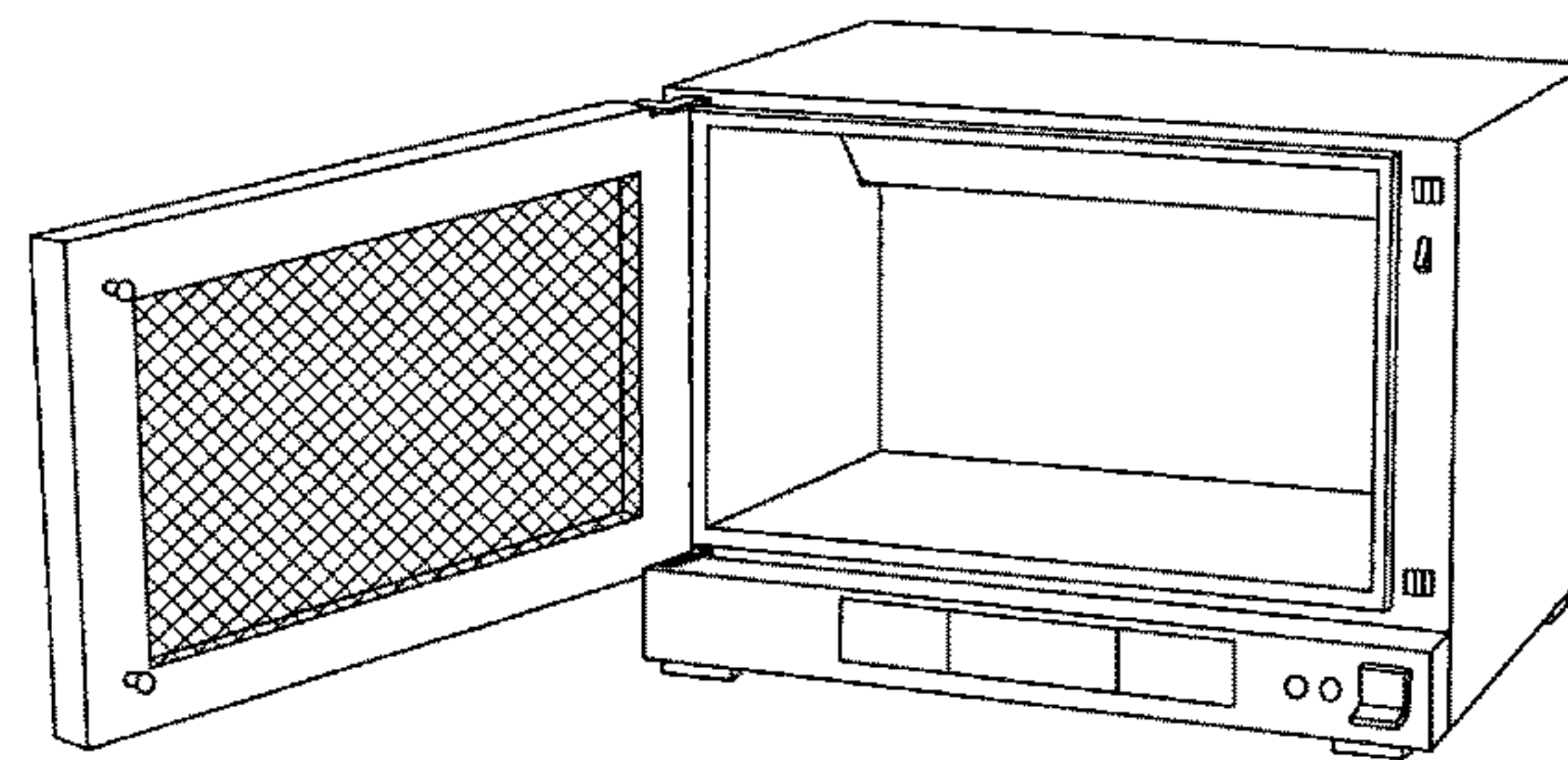
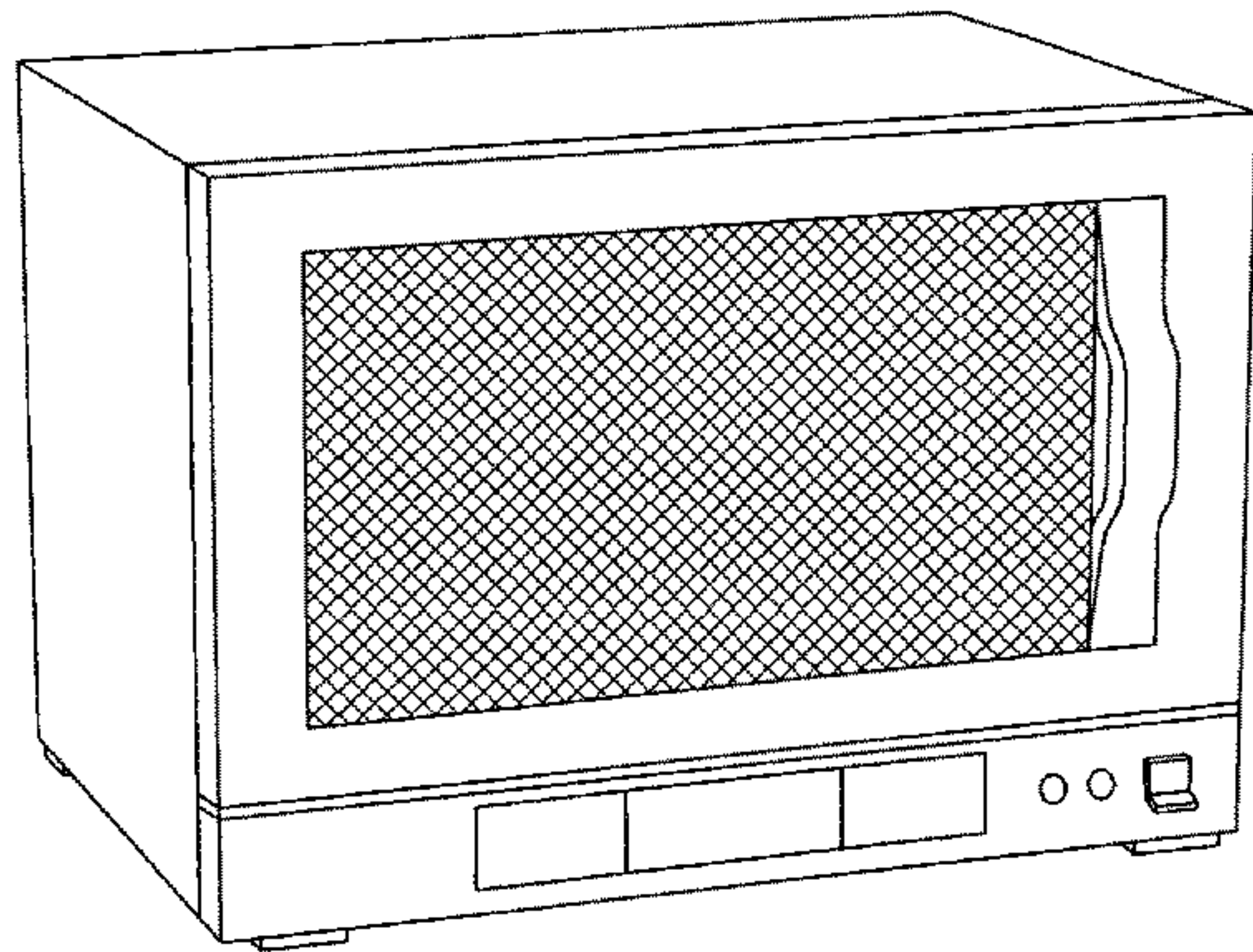


Fig. 1

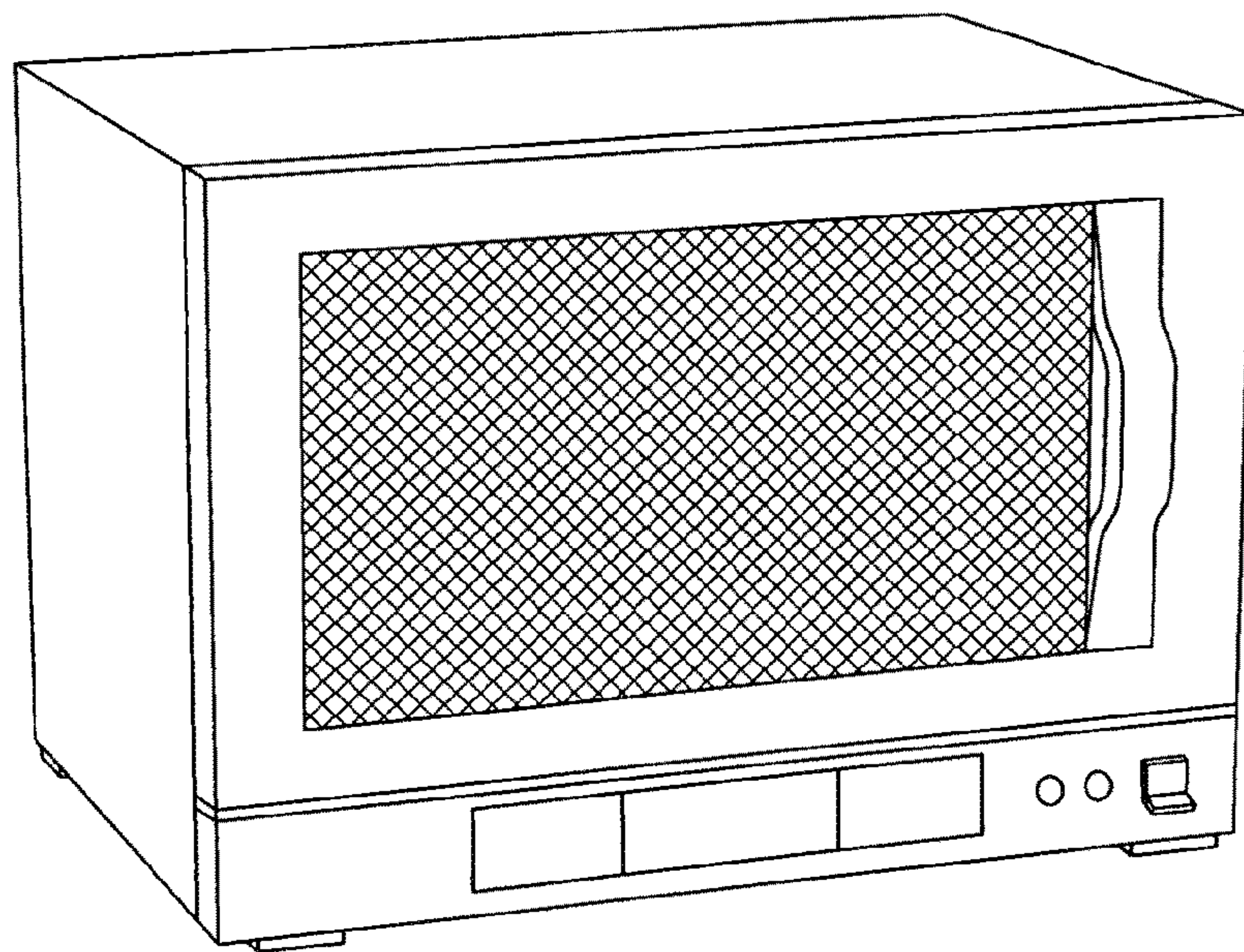


Fig. 2

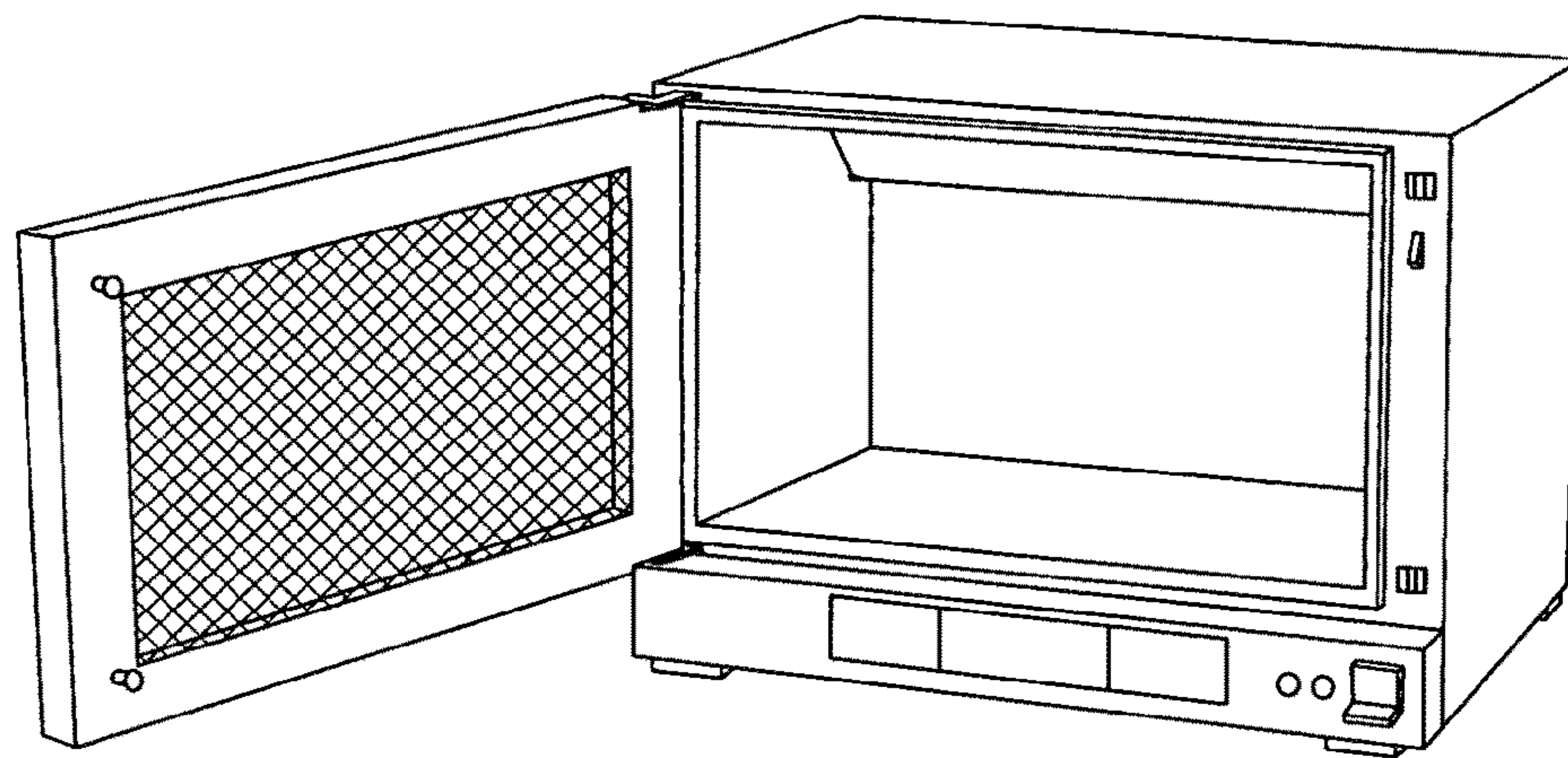


Fig. 3

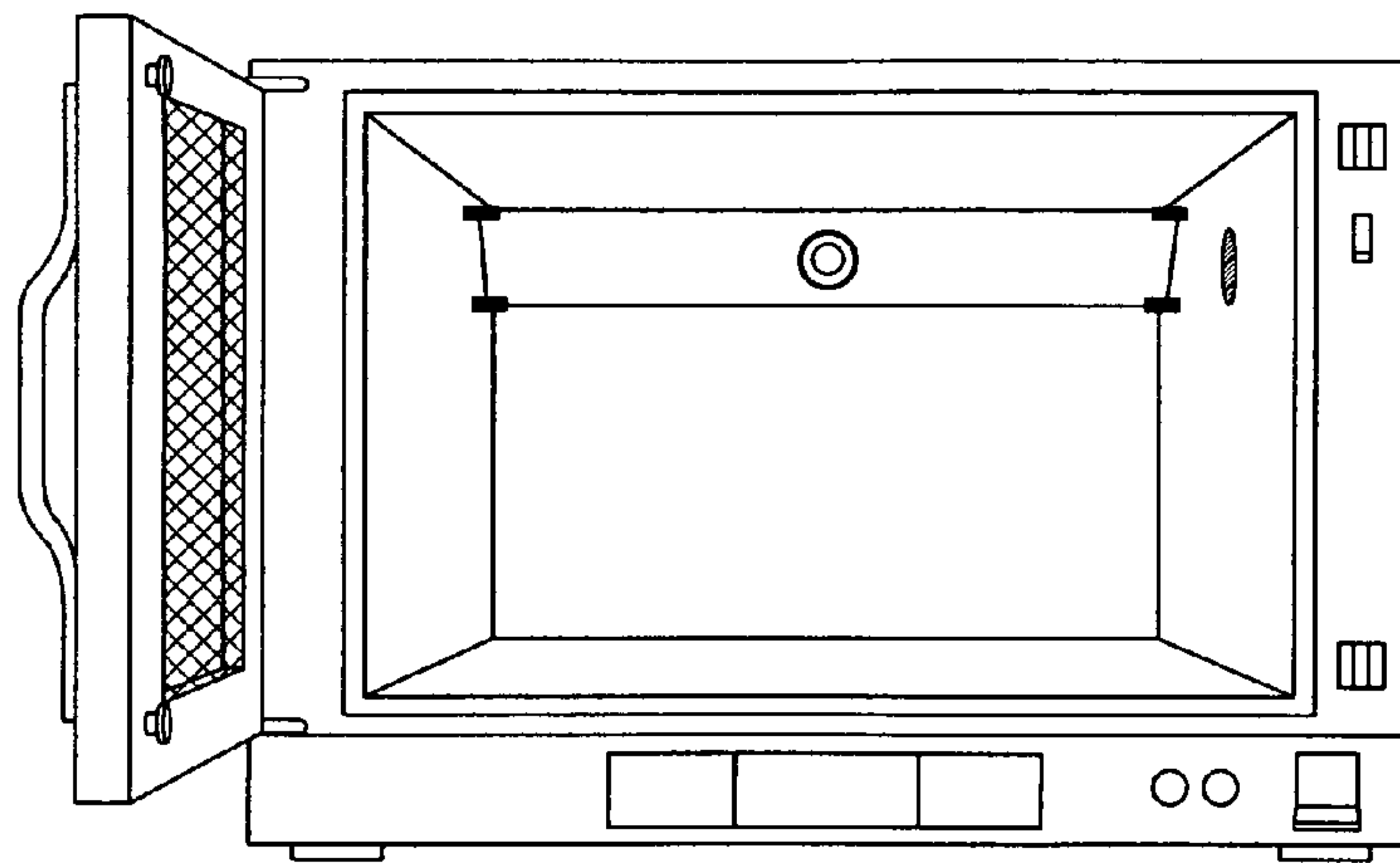




Fig. 4

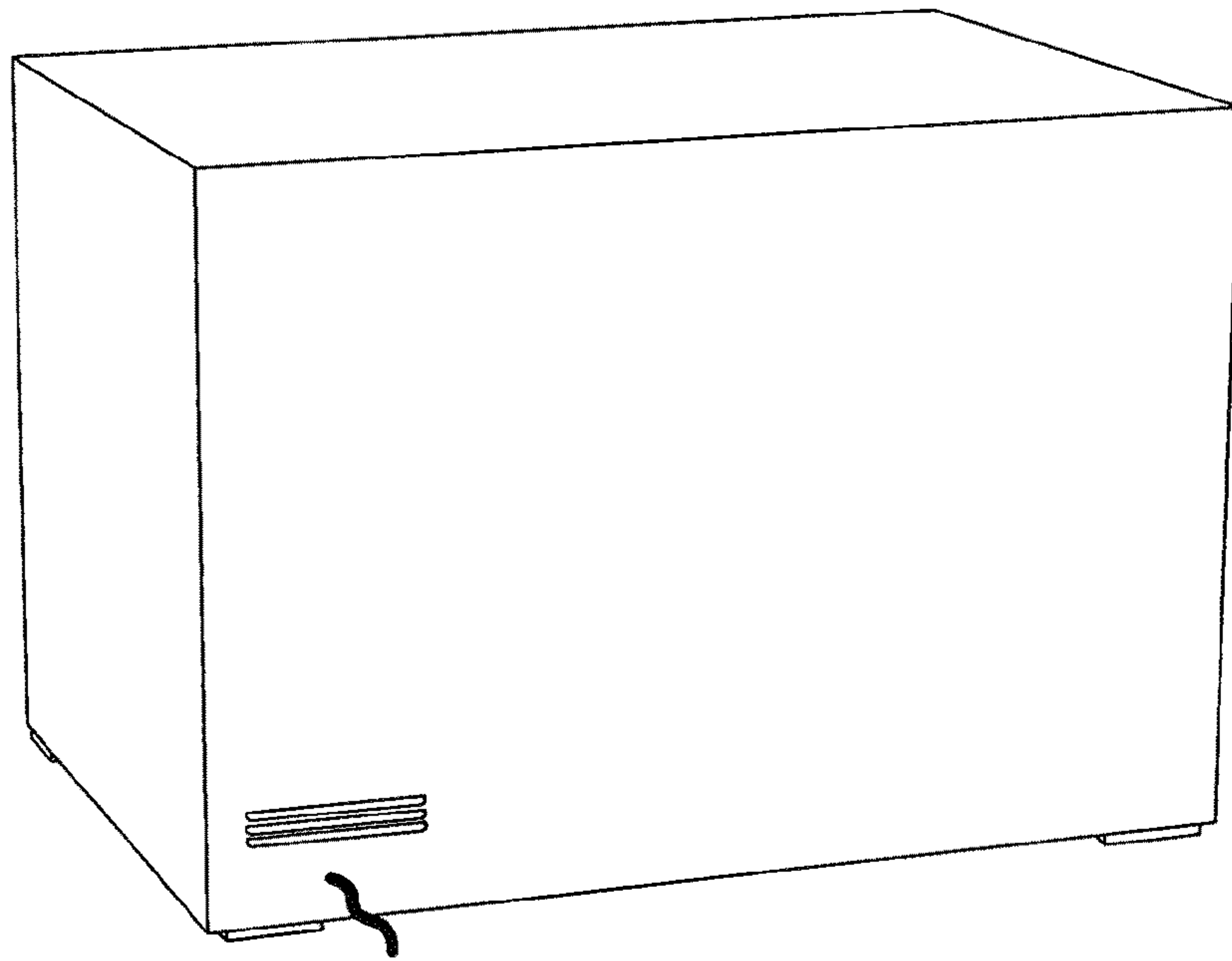


Fig. 5

