



US00D745310S

(12) **United States Design Patent**  
**Funnell, II et al.**

(10) **Patent No.:** **US D745,310 S**

(45) **Date of Patent:** **\*\* \*Dec. 15, 2015**

(54) **DOUBLE OVEN**

(71) Applicant: **BSH Home Appliances Corporation**,  
Irvine, CA (US)

(72) Inventors: **Richard W. Funnell, II**, Huntington  
Beach, CA (US); **Andrew Roberson**,  
Long Beach, CA (US); **Graham**  
**Sadtler**, Huntington Beach, CA (US)

(73) Assignee: **BSH Home Appliances Corporation**,  
Irvine, CA (US)

(\*) Notice: This patent is subject to a terminal dis-  
claimer.

(\*\*) Term: **14 Years**

(21) Appl. No.: **29/456,401**

(22) Filed: **May 31, 2013**

(51) **LOC (10) Cl.** ..... **07-02**

(52) **U.S. Cl.**  
USPC ..... **D7/349**

(58) **Field of Classification Search**  
USPC ..... D7/339-349  
CPC ..... F24C 15/006; F24C 15/18  
See application file for complete search history.

(56) **References Cited**

**U.S. PATENT DOCUMENTS**

D172,209 S *	5/1954	Armstrong	.....	D7/340
D187,168 S *	2/1960	Kimberley	.....	D7/349
3,924,601 A *	12/1975	Nuss	.....	126/21 R
D366,983 S *	2/1996	Leukhardt et al.	.....	D7/349
D424,862 S *	5/2000	Holbrook	.....	D7/349
D462,867 S *	9/2002	Resuello et al.	.....	D7/349
D523,685 S *	6/2006	Jung et al.	.....	D7/340
D524,095 S *	7/2006	Pino et al.	.....	D7/349
D525,476 S *	7/2006	Bengtson et al.	.....	D7/349
D527,948 S *	9/2006	Bengtson	.....	D7/405
D539,591 S *	4/2007	Bengtson et al.	.....	D7/349

D560,958 S *	2/2008	Shin et al.	.....	D7/348
D611,294 S *	3/2010	Busalt et al.	.....	D7/349
D626,781 S *	11/2010	Busalt et al.	.....	D7/349
D671,790 S *	12/2012	Busalt et al.	.....	D7/349
D709,726 S *	7/2014	Borjesson	.....	D7/349
D724,889 S *	3/2015	Borjesson	.....	D7/349

\* cited by examiner

*Primary Examiner* — Mitchell Siegel

(74) *Attorney, Agent, or Firm* — James E. Howard; Andre  
Pallapies

(57) **CLAIM**

The ornamental design for a double oven and/or component  
thereof, as shown and described.

**DESCRIPTION**

FIG. 1 is a front perspective view of a double oven showing an  
embodiment of our new ornamental design;

FIG. 2 a front view thereof;

FIG. 3 is a top view thereof;

FIG. 4 is a bottom view thereof;

FIG. 5 is a right side view thereof, with the left side view  
thereof being a mirror image thereof;

FIG. 6 is a similar perspective view thereof in a sample  
environmental setting;

FIG. 7 is a front perspective view of a double oven showing an  
embodiment of our new ornamental design;

FIG. 8 a front view thereof;

FIG. 9 is a top view thereof;

FIG. 10 is a bottom view thereof;

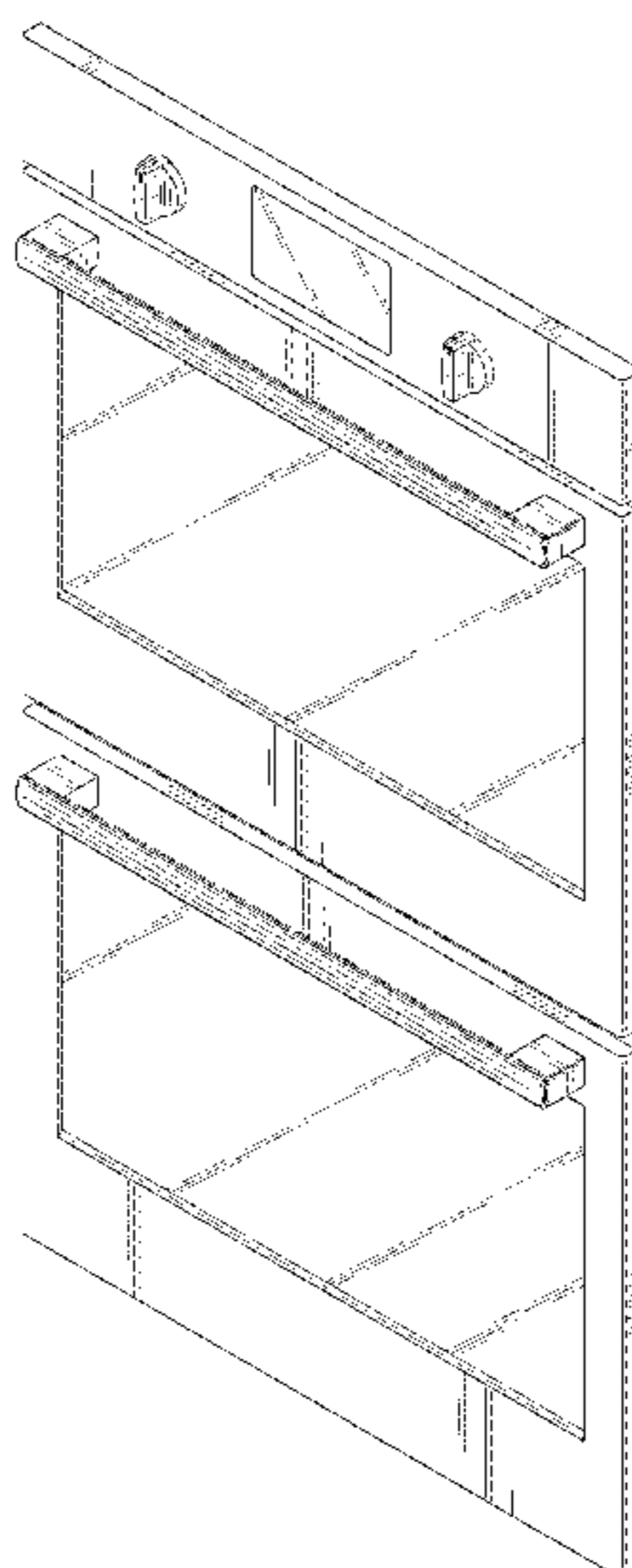
FIG. 11 is a right side view thereof, with the left side view  
thereof being a mirror image thereof; and,

FIG. 12 is a similar perspective view thereof in a sample  
environmental setting.

The broken lines are included for the purpose of illustrating  
and forms no part of the claimed design.

The sides of the claimed design not shown in the drawing or  
described in the specification form no part of the claimed  
design.

**1 Claim, 10 Drawing Sheets**



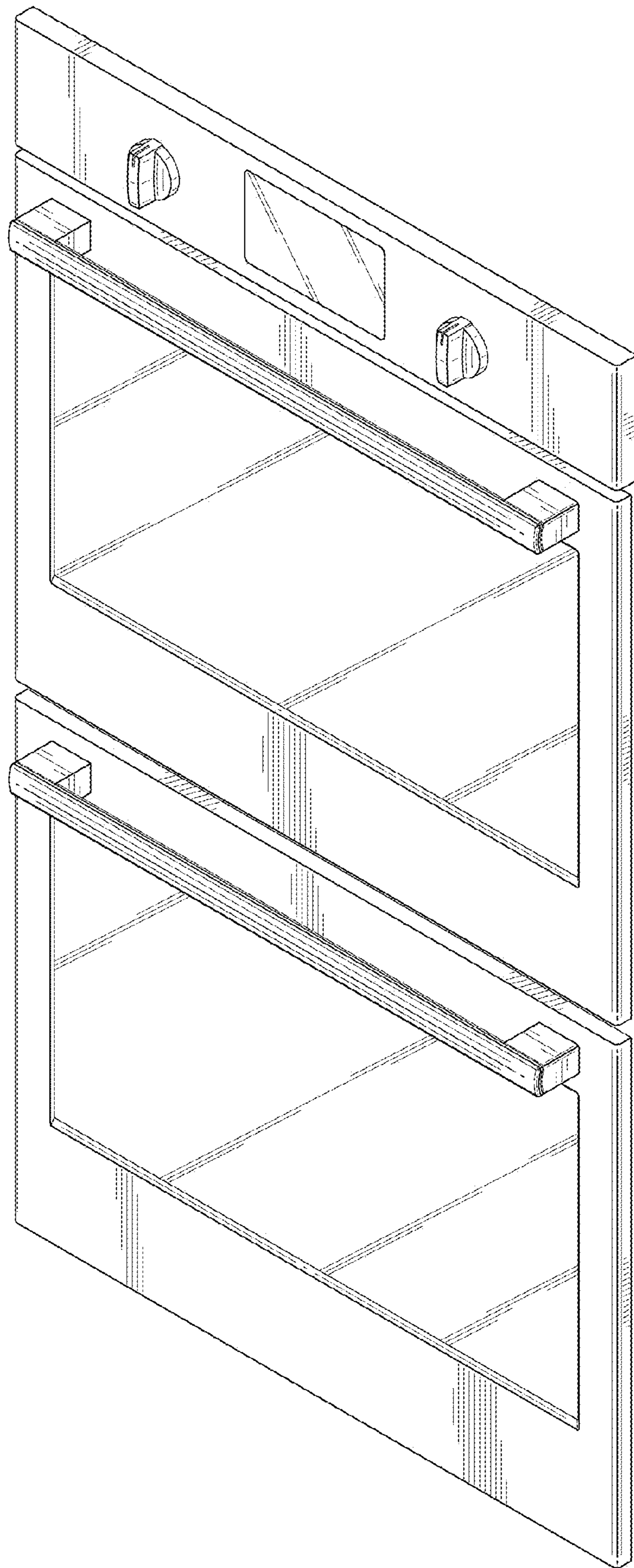
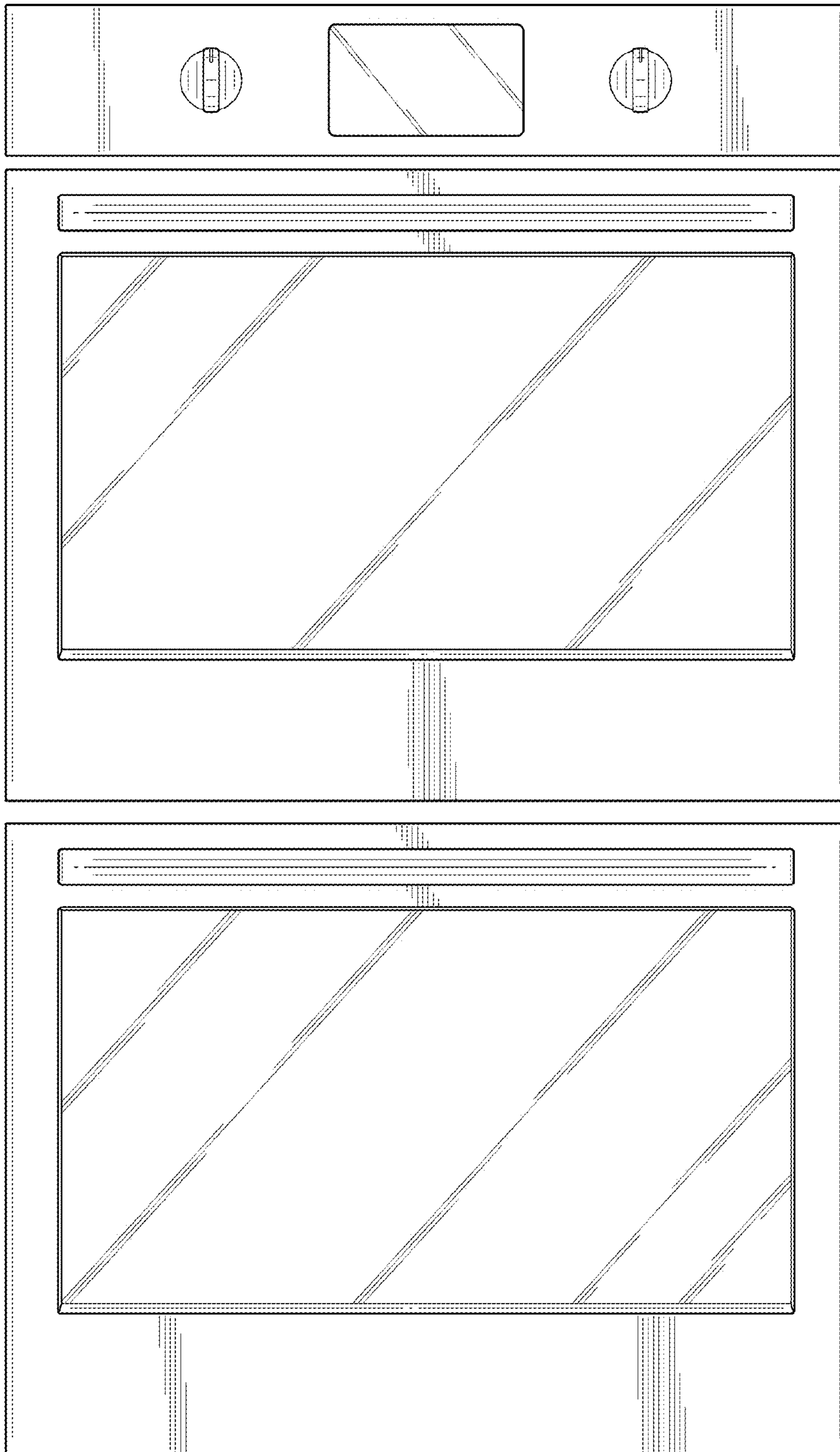


FIG. 1

FIG. 2



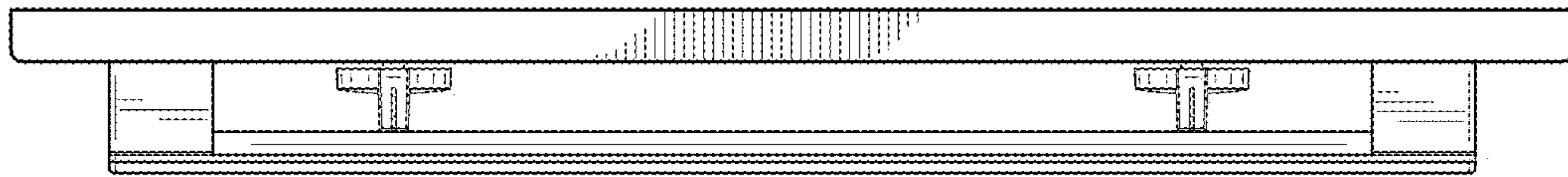


Fig. 3

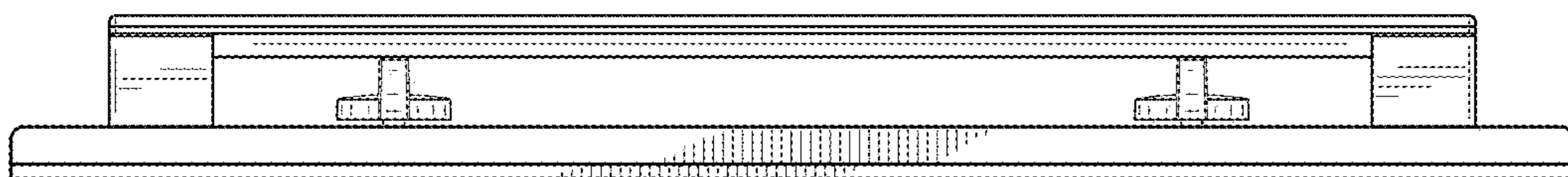


Fig. 4

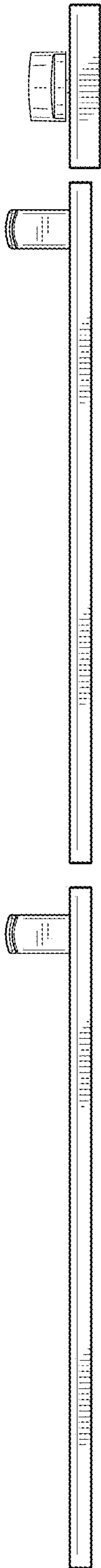


FIG. 5

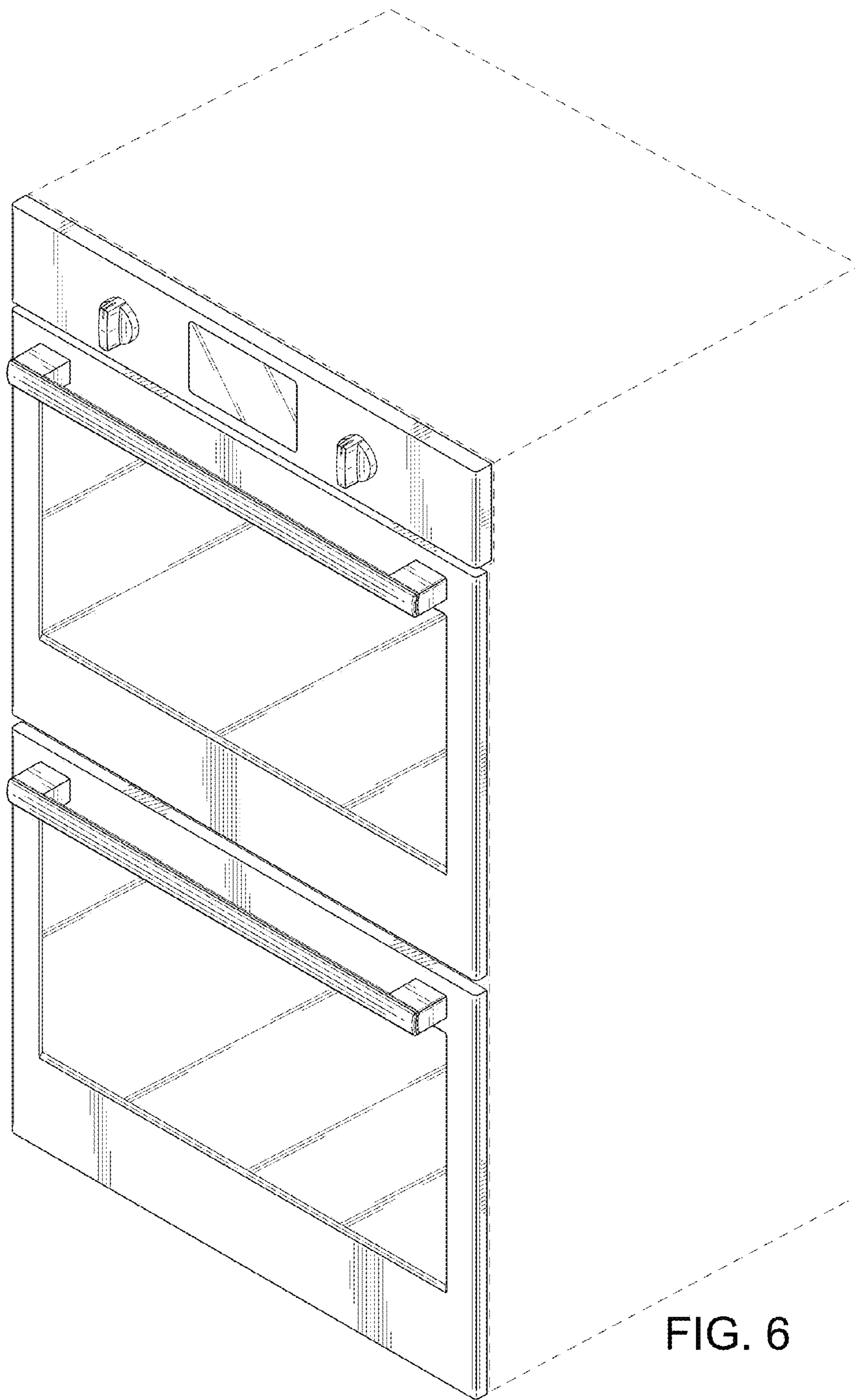


FIG. 6

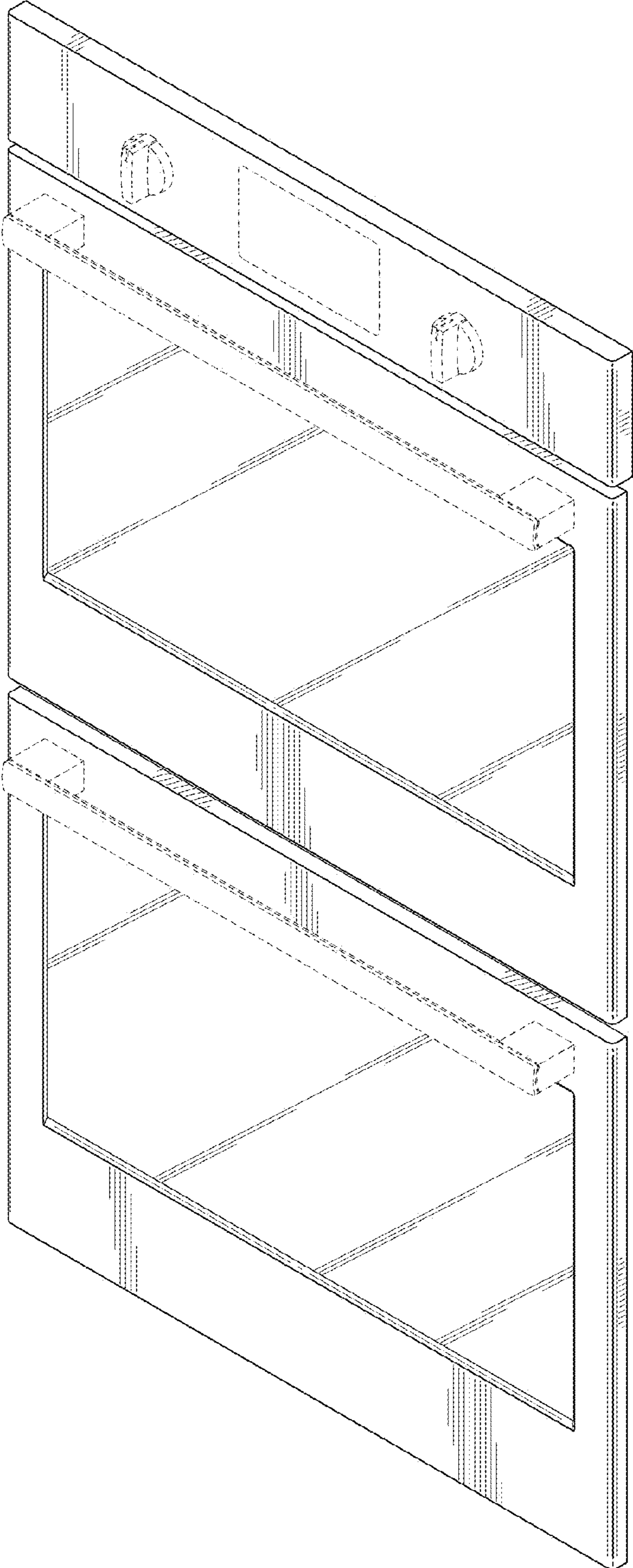
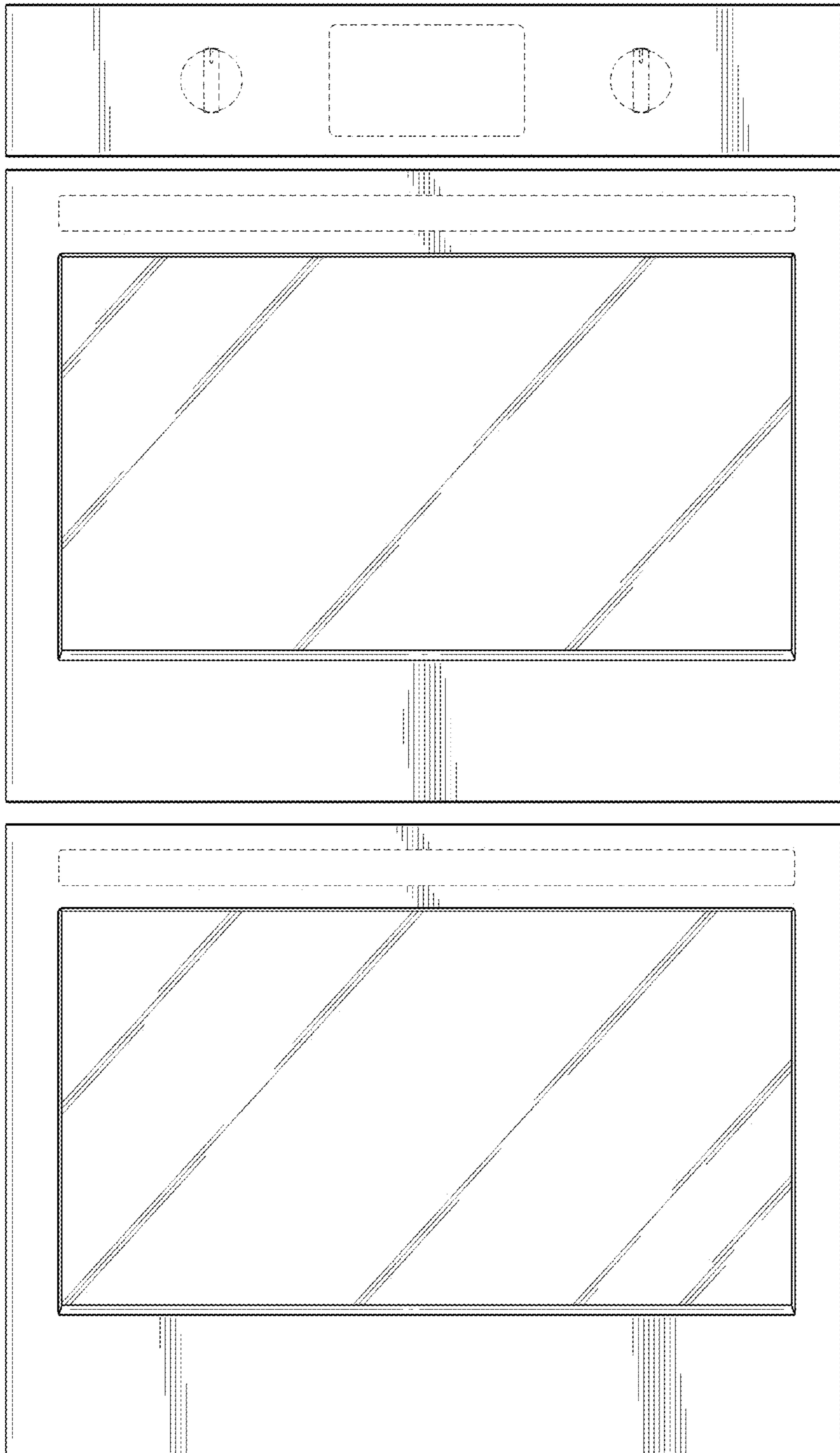


FIG. 7

FIG. 8





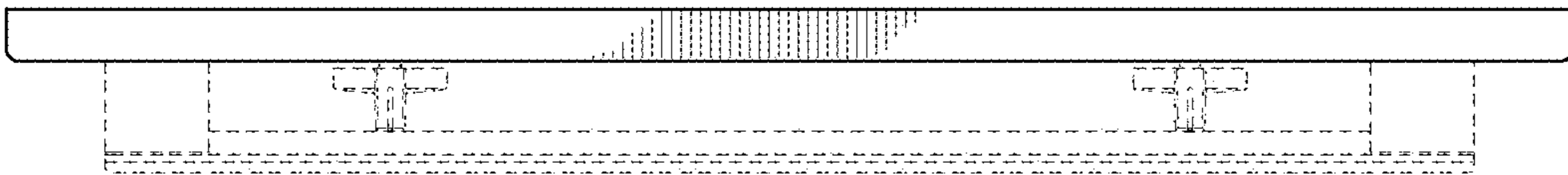


Fig. 9

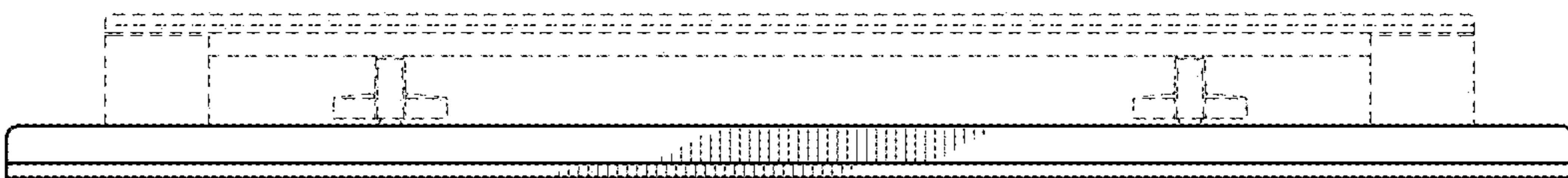


Fig. 10

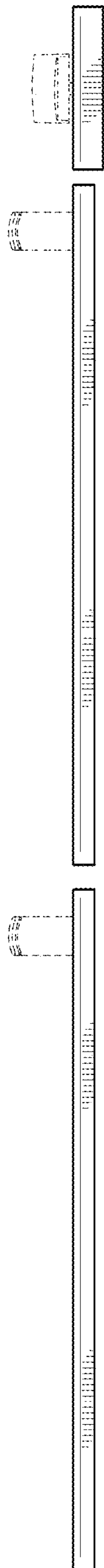


FIG. 11

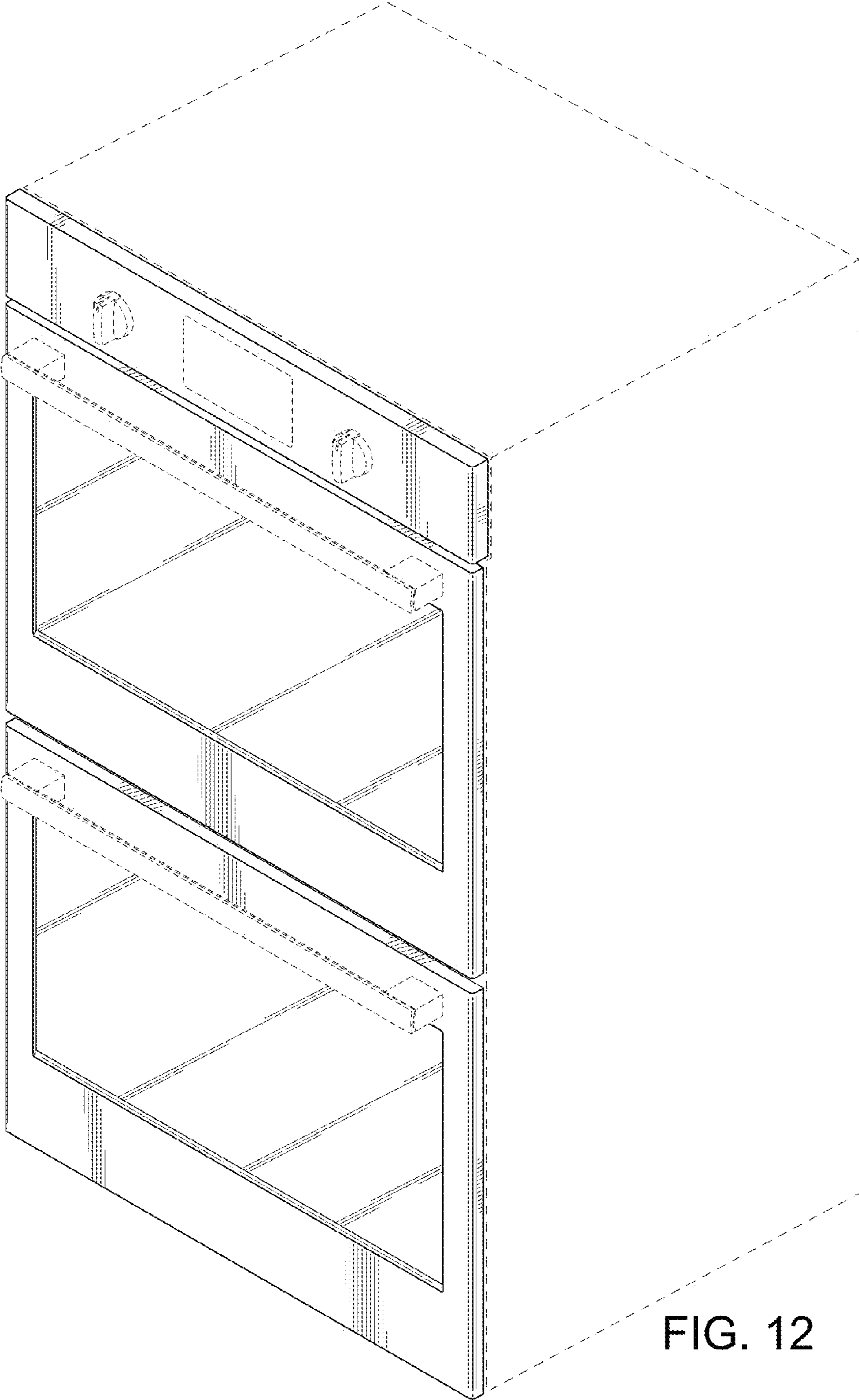


FIG. 12