



US00D745309S

(12) **United States Design Patent**
Gagnon et al.

(10) **Patent No.:** **US D745,309 S**

(45) **Date of Patent:** **** Dec. 15, 2015**

(54) **FOOD DISPENSER**

D363,830 S * 11/1995 Forrest D6/515
5,694,830 A 12/1997 Hodgson et al.
5,711,208 A 1/1998 Wood

(71) Applicant: **8479950 CANADA INC.**, Montréal
(CA)

(Continued)

(72) Inventors: **Martin Gagnon**, Blainville (CA); **Jamie Coblentz**, Montreal (CA)

FOREIGN PATENT DOCUMENTS

(73) Assignee: **8479950 Canada Inc.**, Montreal (CA)

CA 2687733 A1 12/2008
CN 1510994 A 7/2004

(**) Term: **14 Years**

(Continued)

OTHER PUBLICATIONS

(21) Appl. No.: **29/475,439**

Screenshot of search results dated Sep. 3, 2013.

(22) Filed: **Dec. 3, 2013**

Primary Examiner — Ricky Pham

(51) **LOC (10) Cl.** **31-00**

(74) *Attorney, Agent, or Firm* — Taft Stettinius & Hollister LLP

(52) **U.S. Cl.**

USPC **D7/325**

(58) **Field of Classification Search**

USPC D6/515; D7/307, 323, 325, 337, 339,
D7/346-347, 350.1, 350.4, 354, 362, 391,
D7/602, 629; D9/730; D20/6; D21/370,
D21/811

CPC A23L 1/01; A23L 1/0128; A23L 1/10;
A23L 1/18; A23L 1/1802; A23L 1/1812;
A23L 1/1815; A23L 1/1817; A23L 1/217;
A23P 1/14; A23P 1/142; A23P 1/144; A23P
1/146; A23P 1/148; A47J 27/004; A47J
36/027; A47J 36/06; B65D 81/34; B65D
81/3407; B65D 81/3446; B65D 81/3453;
B65D 83/0805; G07F 11/44

See application file for complete search history.

(57) **CLAIM**

The ornamental design for a food dispenser, as shown and described.

DESCRIPTION

FIG. 1 is a perspective view of the food dispenser shown in an open position in accordance with our new design; FIG. 2 is a perspective of the food dispenser of FIG. 1 shown in a closed position; FIG. 3 is a front view thereof; FIG. 4 is a left side elevation view thereof; FIG. 5 is a right side elevation view thereof; FIG. 6 is a top plan view thereof; and, FIG. 7 is a bottom plan view thereof.

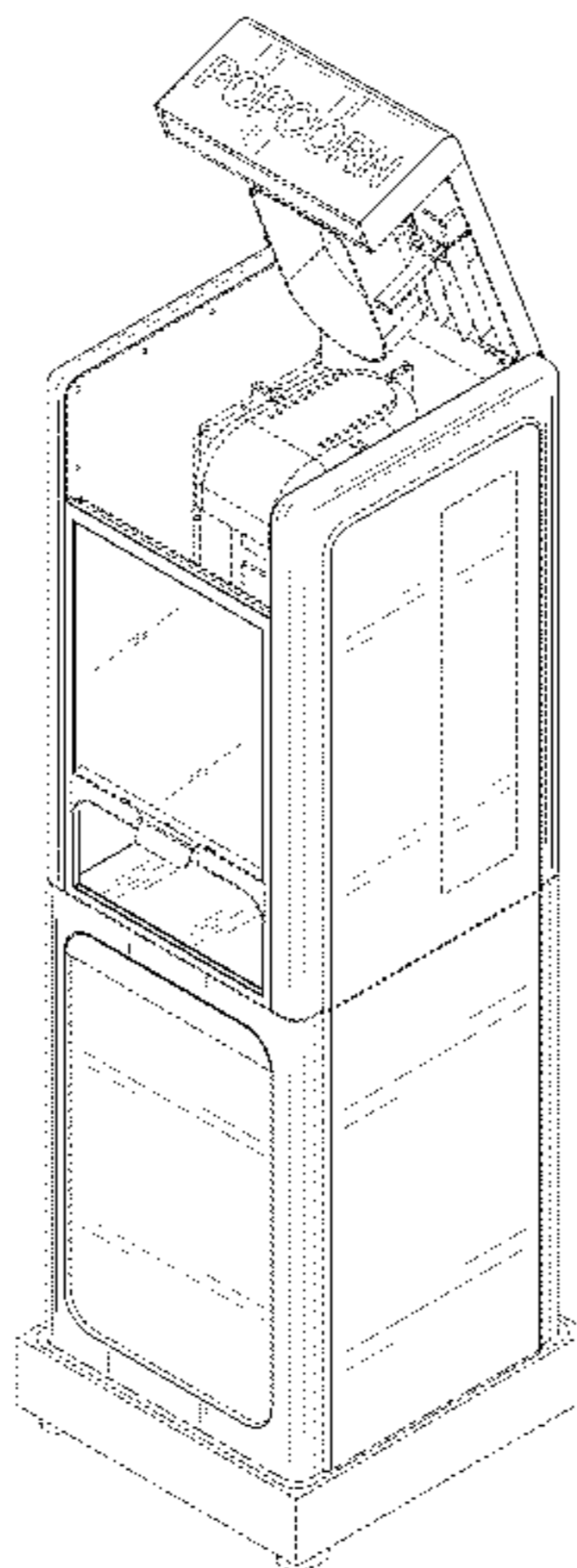
Throughout the figures, where shown: (i) the dotted lines showing additional structure of the food dispenser are for illustrative purposes only and form no part of the claimed design; (ii) the unshaded surfaces do not form part of the claimed design; and (iii) the dotted-dashed lines illustrate unclaimed boundaries of surfaces claimed as part of the design. Portions of the food dispenser not shown in the Figures and not otherwise described in this Specification do not form part of the claimed design.

(56) **References Cited**

U.S. PATENT DOCUMENTS

748,065 A * 12/1903 Green 221/33
D80,489 S * 2/1930 Meyer D21/811
D95,156 S * 4/1935 Soellner D21/811
2,668,636 A * 2/1954 Martin 222/2
D249,868 S * 10/1978 Russert D9/730
4,152,974 A 5/1979 Tienor
D291,392 S * 8/1987 Worthen D6/515

1 Claim, 6 Drawing Sheets



(56)

References Cited

U.S. PATENT DOCUMENTS

5,771,779 A 6/1998 Stein et al.
5,928,550 A 7/1999 Weiss
D421,464 S * 3/2000 Risolia D20/6
6,374,727 B1 4/2002 Cretors
D460,846 S 7/2002 Helman
6,460,451 B1 10/2002 Helman et al.
D484,551 S * 12/2003 Seelig et al. D21/370
7,082,891 B2 8/2006 Watson
D551,016 S 9/2007 Bond
D552,405 S 10/2007 Bond
D628,428 S 12/2010 Bond
D628,847 S * 12/2010 Liu D7/325
7,874,244 B2 1/2011 Rhome

D632,123 S * 2/2011 Kauer D7/325
D643,668 S * 8/2011 Yui D7/307
D677,969 S * 3/2013 Bond et al. D7/325
8,464,634 B2 6/2013 Cretors
2011/0274804 A1 11/2011 Barrows
2013/0276640 A1 10/2013 Cretors
2013/0276641 A1 10/2013 Vidojevic
2013/0280386 A1 10/2013 Cretors

FOREIGN PATENT DOCUMENTS

CN 202095477 U 1/2012
CN 202364752 U 8/2012
CN 202918980 U 5/2013

* cited by examiner

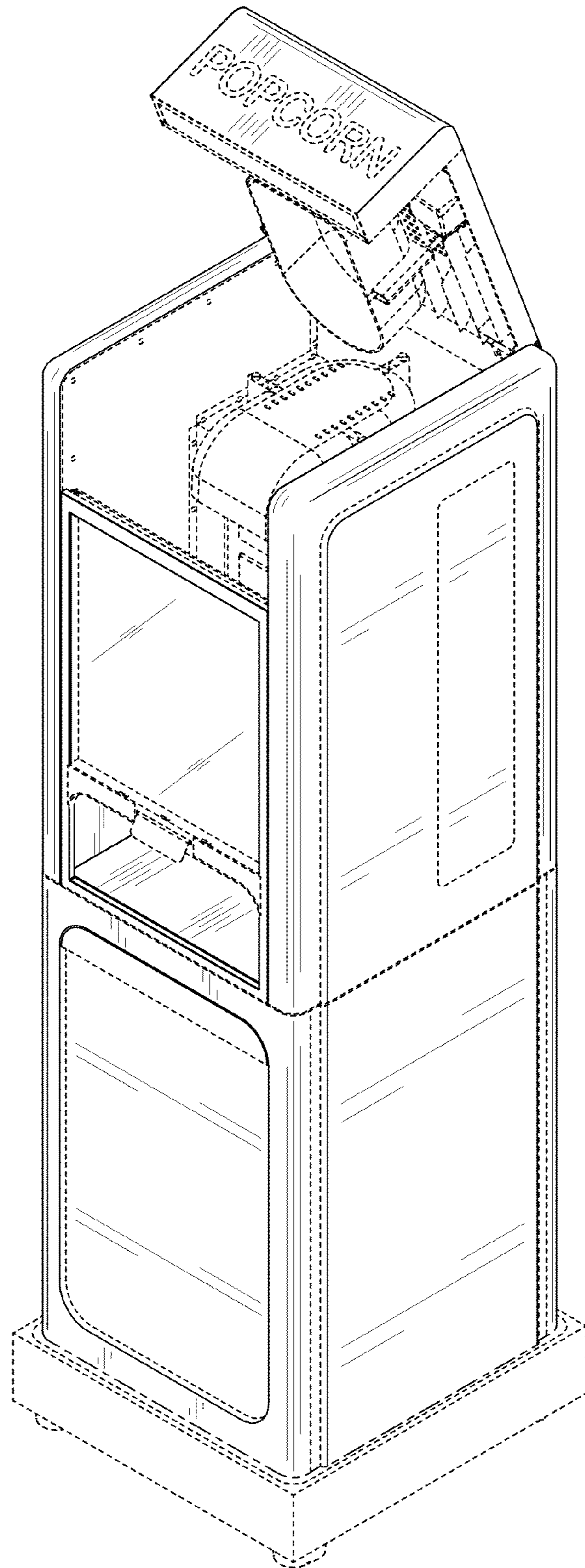


FIG. 1

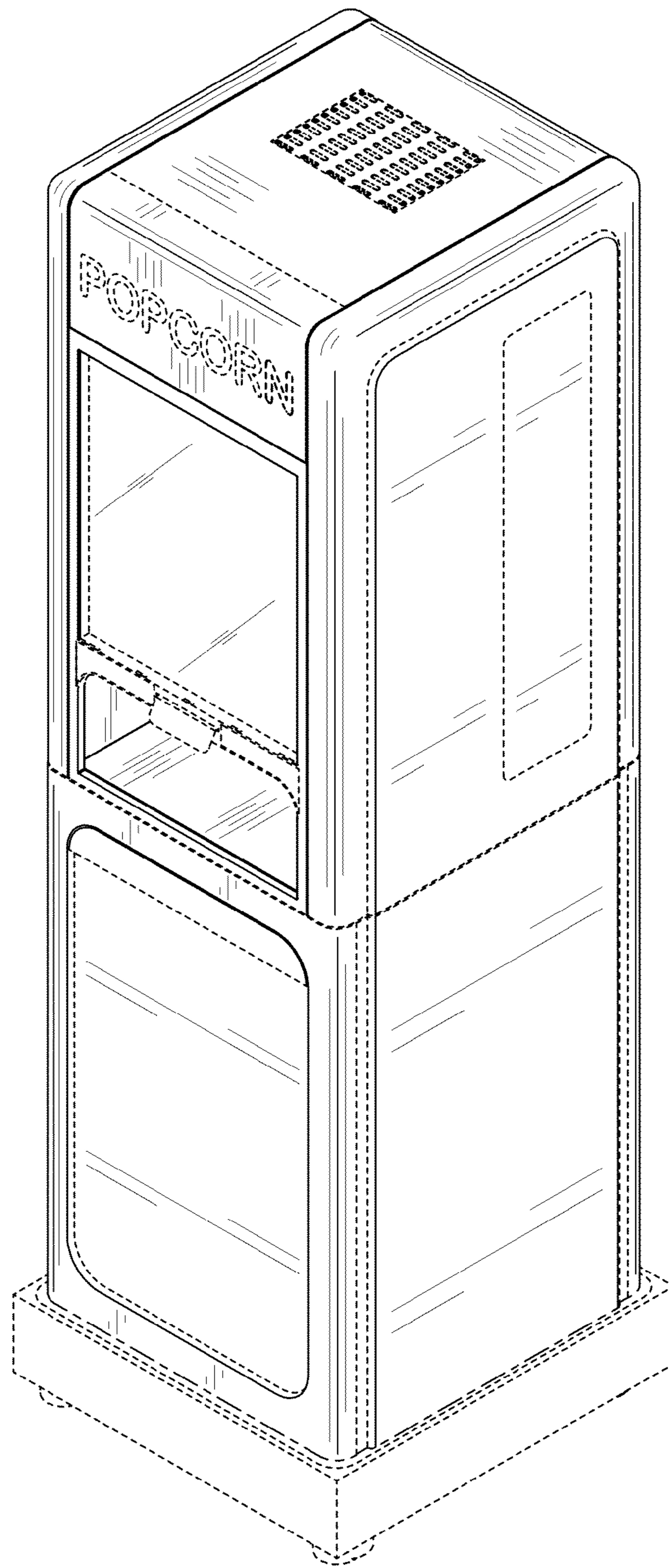


FIG. 2

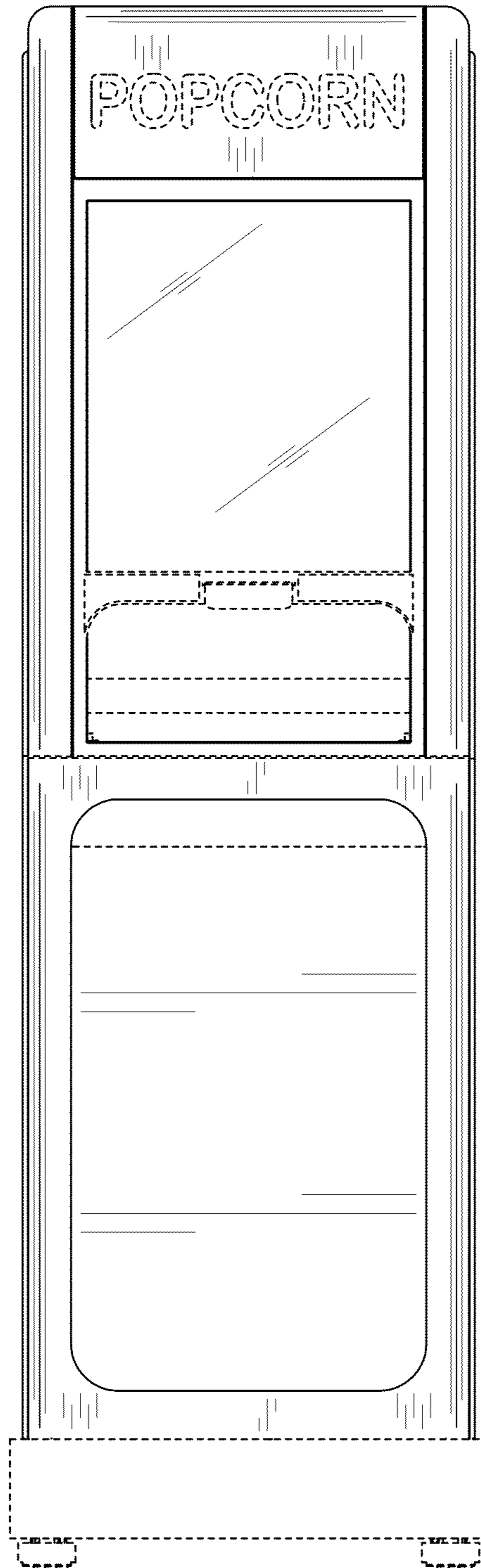


FIG. 3

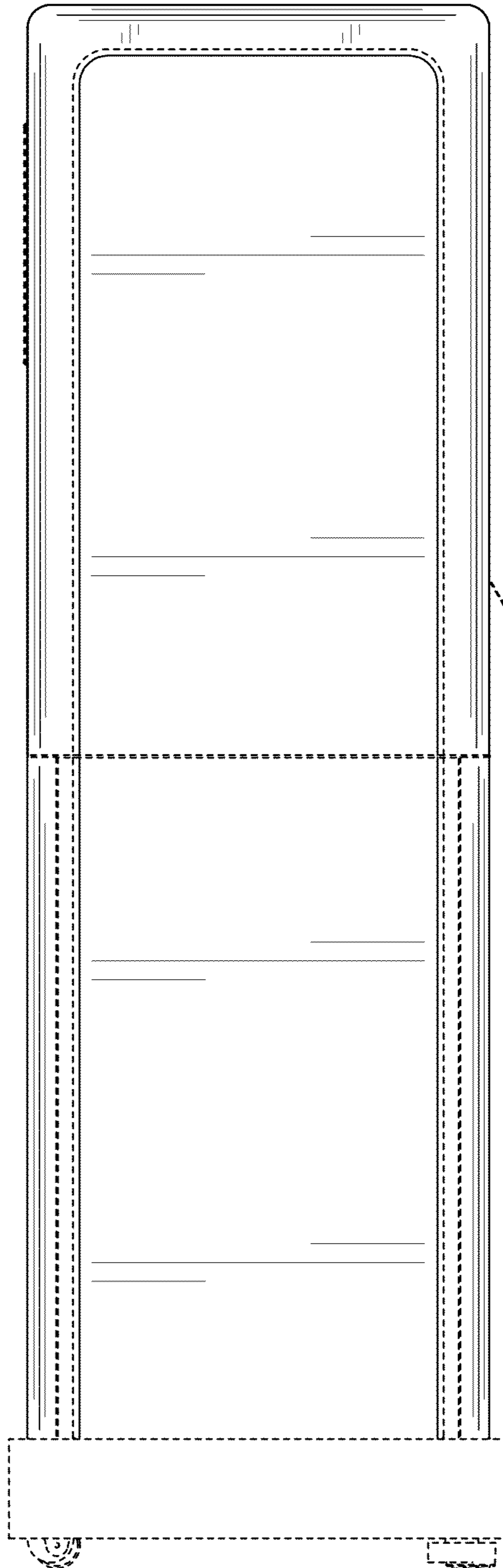


FIG. 4

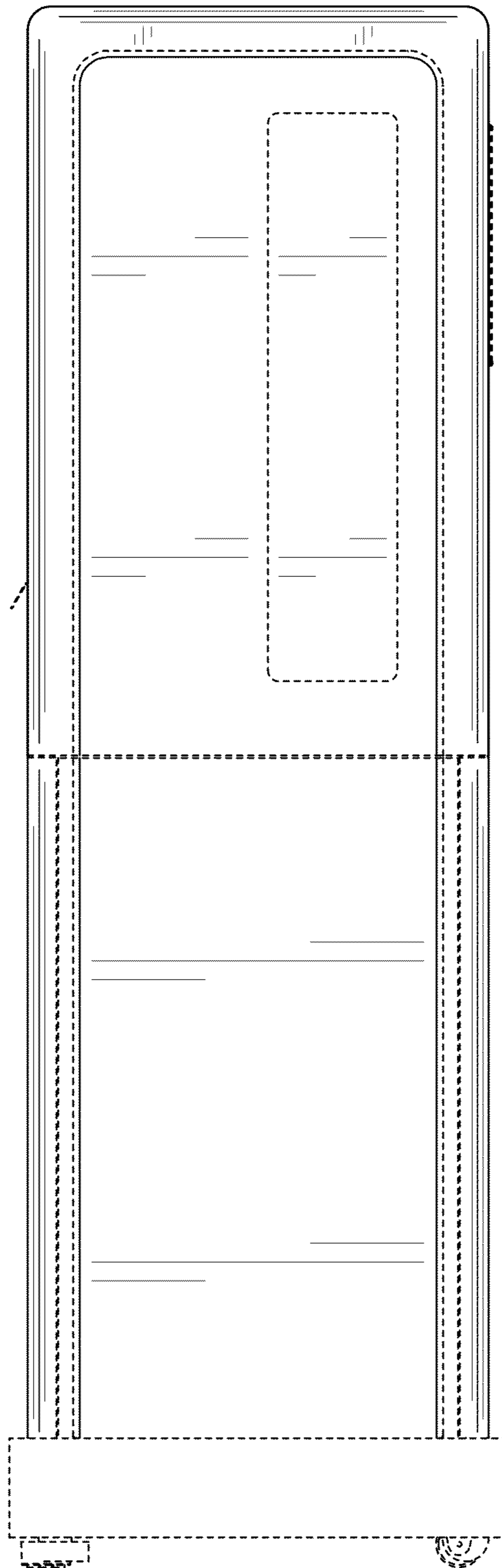


FIG. 5

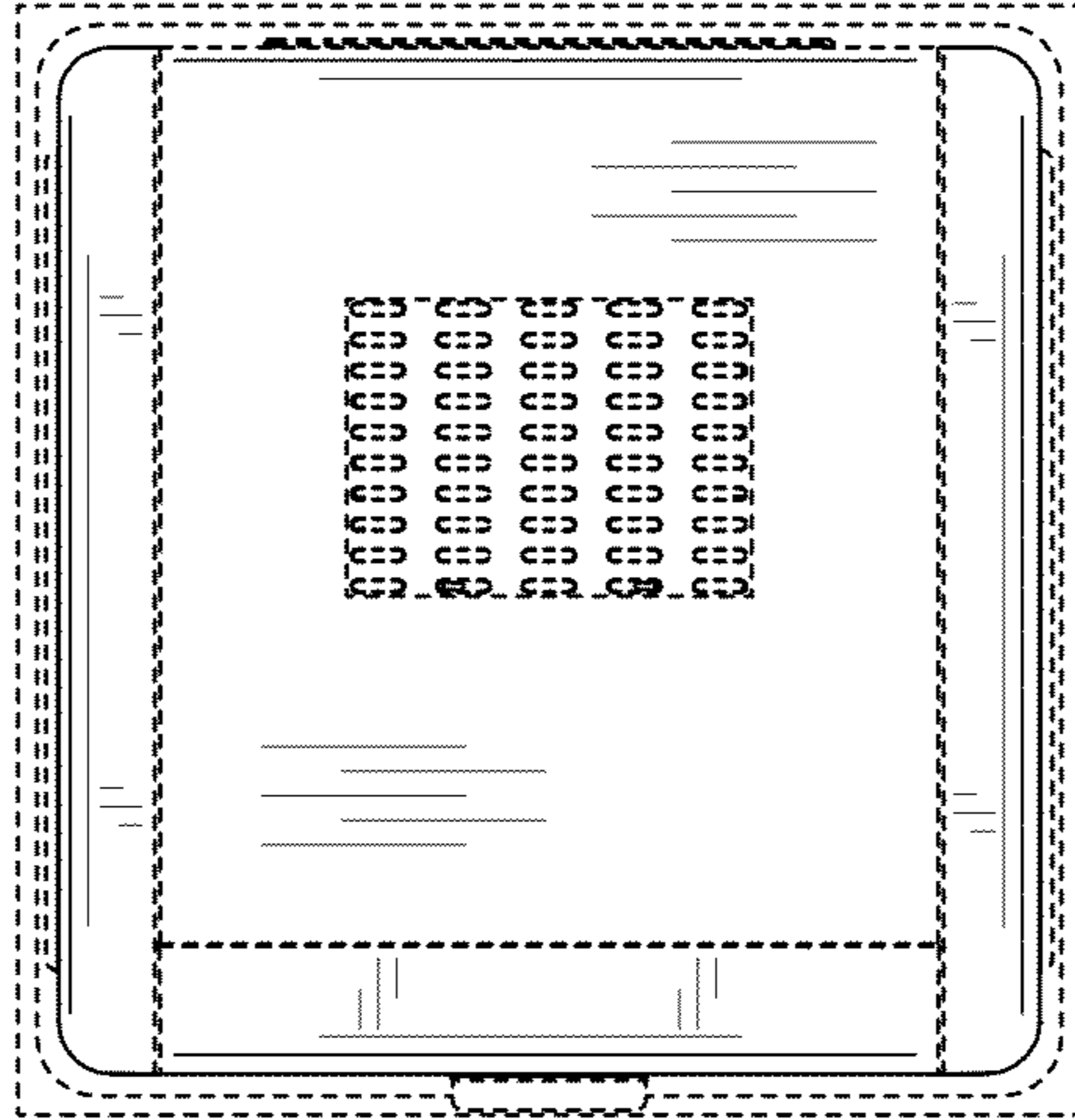


FIG. 6

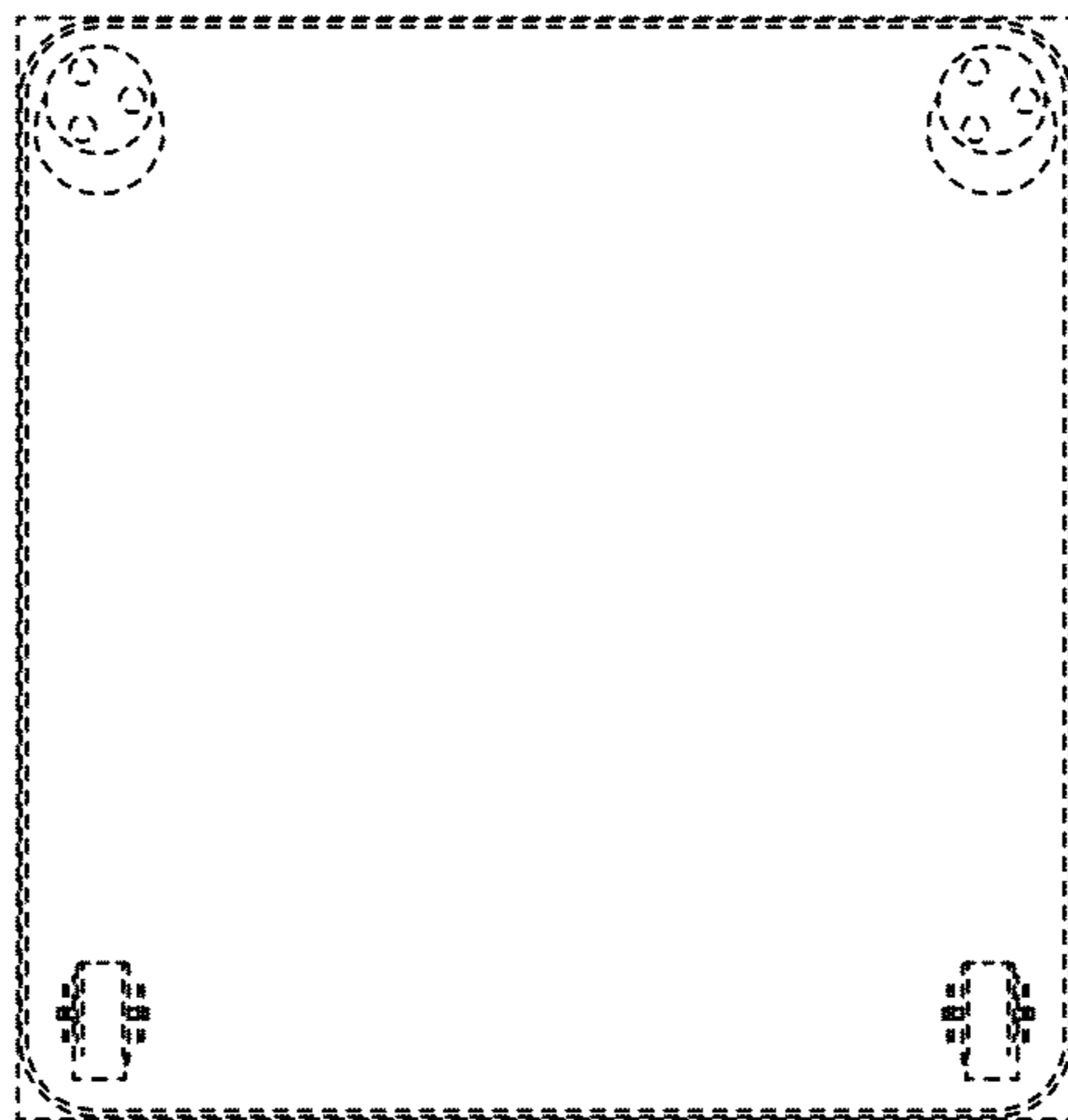


FIG. 7