



US00D745307S

(12) **United States Design Patent**  
**Kestenbaum**

(10) **Patent No.:** **US D745,307 S**

(45) **Date of Patent:** **\*\* \*Dec. 15, 2015**

(54) **COFFEE MAKER**

(71) Applicant: **EURO-PRO OPERATING LLC**,  
Newton, MA (US)

(72) Inventor: **Daniel Kestenbaum**, Cambridge, MA  
(US)

(73) Assignee: **SHARKNINJA OPERATING LLC**,  
Newton, MA (US)

(\*) Notice: This patent is subject to a terminal disclaimer.

(\*\*) Term: **14 Years**

(21) Appl. No.: **29/488,694**

(22) Filed: **Apr. 22, 2014**

(51) **LOC (10) Cl.** ..... **07-01**

(52) **U.S. Cl.**  
USPC ..... **D7/309; D73/311**

(58) **Field of Classification Search**  
USPC ..... D7/306-311, 305, 300, 313; 99/279,  
99/284, 290, 280, 299, 307, 285, 305,  
99/323.1; 222/23, 129.1; 62/395; D20/1  
CPC ..... A47J 31/44; A47J 31/00; B67D 1/0041;  
B67D 3/00  
See application file for complete search history.

(56) **References Cited**

**U.S. PATENT DOCUMENTS**

D240,386 S \* 7/1976 Stuetzer ..... D7/309  
4,721,034 A \* 1/1988 Shimomura ..... 99/280

D307,754 S \* 5/1990 Osrow et al. .... D15/82  
D379,049 S \* 5/1997 Amiel ..... D7/305  
D409,875 S \* 5/1999 Alonge et al. .... D7/309  
D414,647 S \* 10/1999 Driscoll et al. .... D7/309  
D496,553 S \* 9/2004 Bodum ..... D7/309  
D514,371 S \* 2/2006 Yang et al. .... D7/309  
D560,950 S \* 2/2008 Schwamkrug ..... D7/309  
D585,229 S \* 1/2009 de Visser ..... D7/309  
D596,442 S \* 7/2009 Cahen ..... D7/309  
D703,989 S \* 5/2014 Garman ..... D7/305  
D712,188 S \* 9/2014 Averty ..... D7/310  
D714,088 S \* 9/2014 Cahen ..... D7/309  
D718,563 S \* 12/2014 Deman ..... D7/305  
D718,972 S \* 12/2014 Jorgensen ..... D7/309

\* cited by examiner

*Primary Examiner* — Marianne Pandozzi

(74) *Attorney, Agent, or Firm* — Cantor Colburn LLP

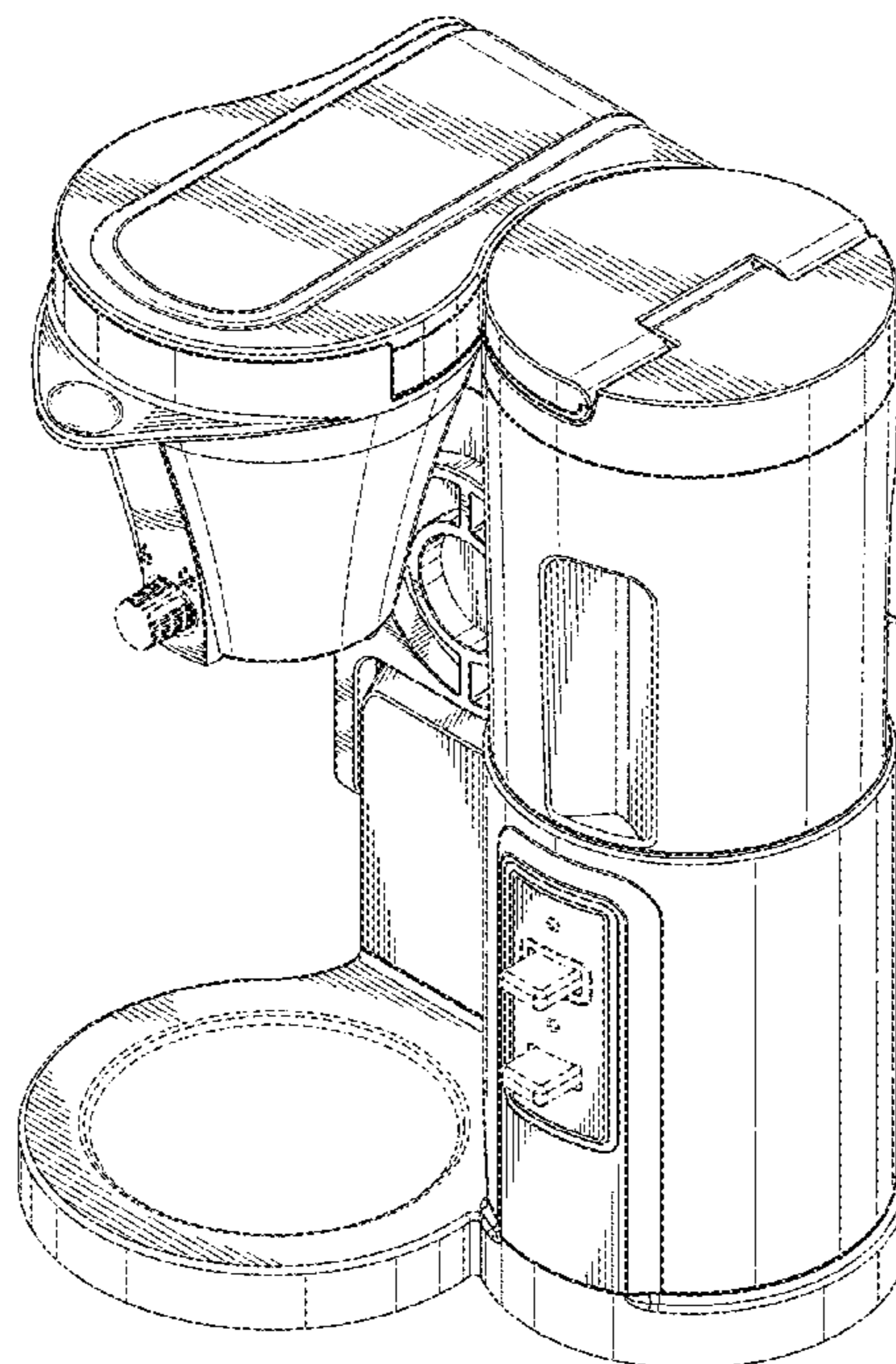
(57) **CLAIM**

The ornamental design for a coffee maker, as shown and described.

**DESCRIPTION**

FIG. 1 is a top front right perspective view of a coffee maker showing my new design;  
FIG. 2 is a top front left perspective view thereof;  
FIG. 3 is a front elevational view thereof;  
FIG. 4 is a rear elevational view thereof;  
FIG. 5 is a top plan view thereof;  
FIG. 6 is a bottom plan view thereof;  
FIG. 7 is a left side view thereof; and,  
FIG. 8 is a right side view thereof.  
The broken lines shown represent unclaimed subject matter and form no part of the claimed design.

**1 Claim, 8 Drawing Sheets**



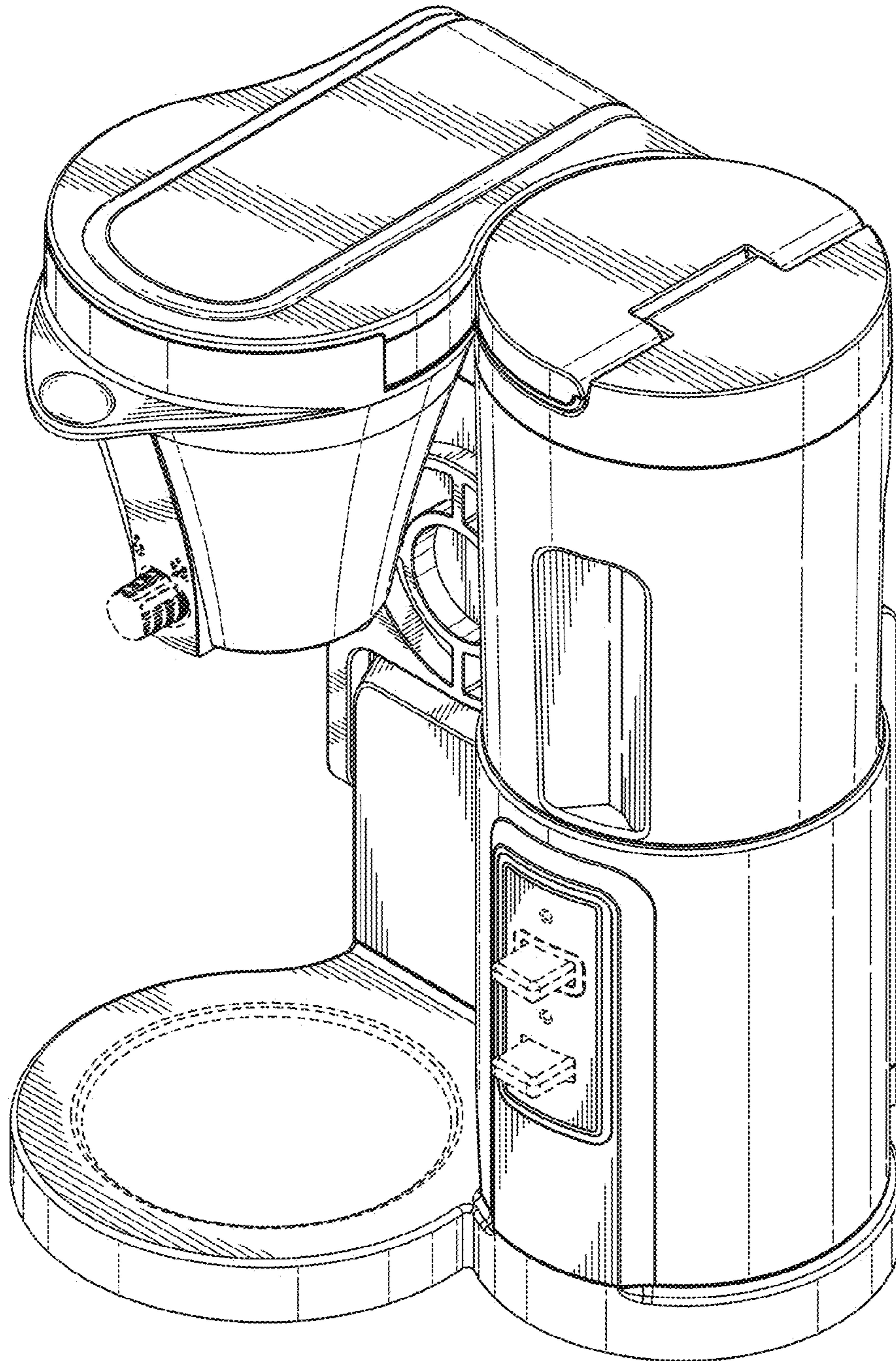


FIG. 1



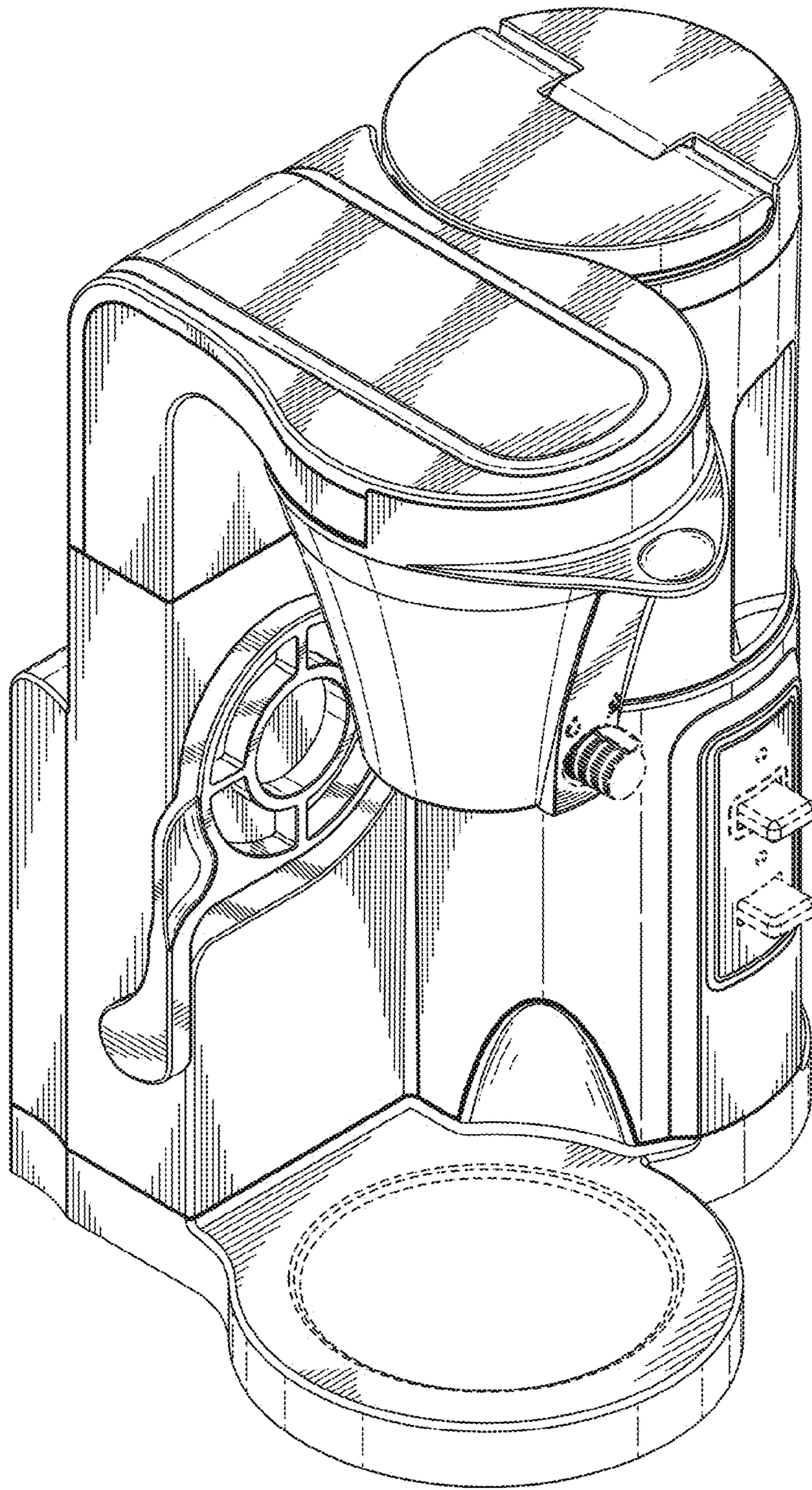


FIG. 2

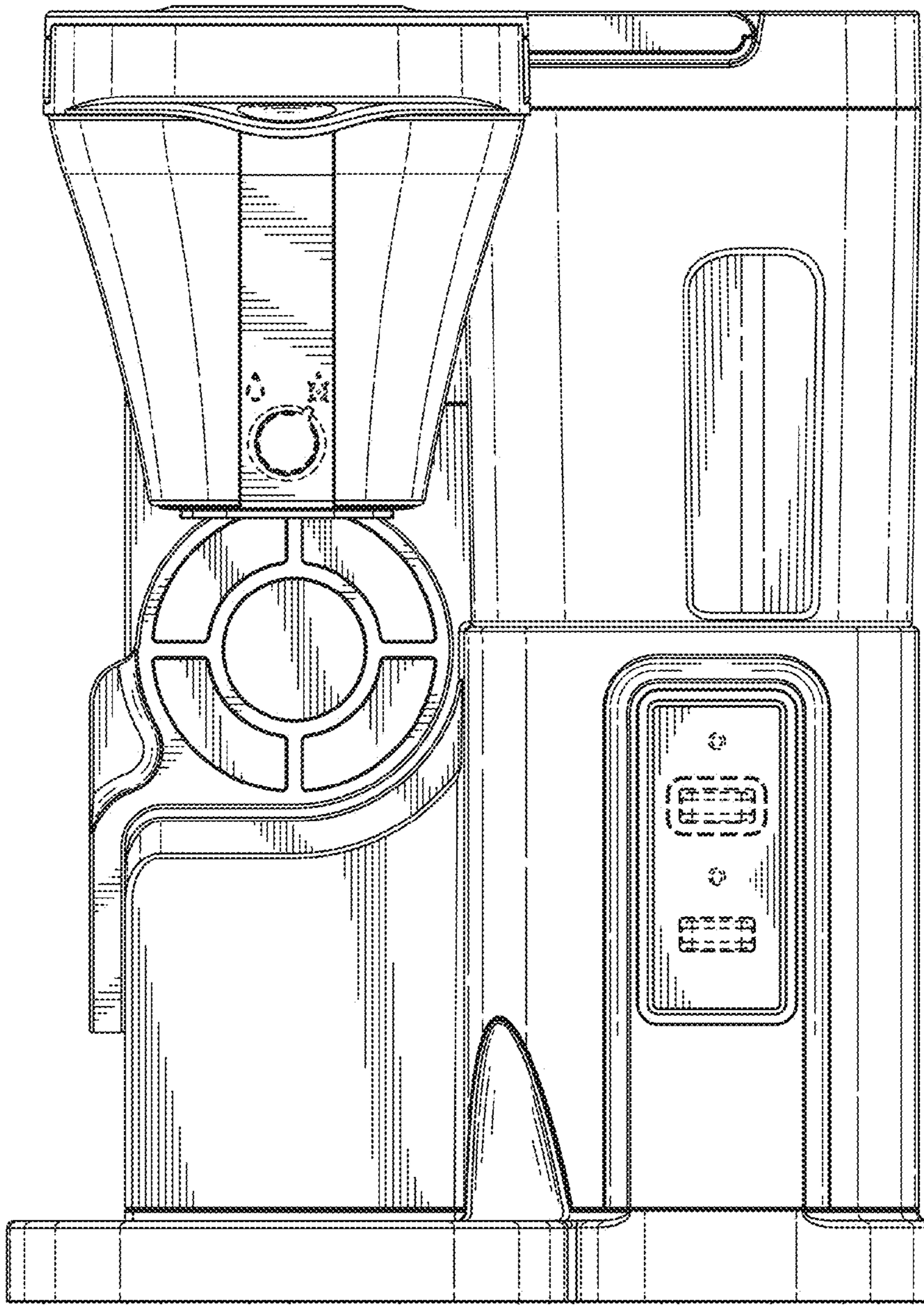


FIG. 3



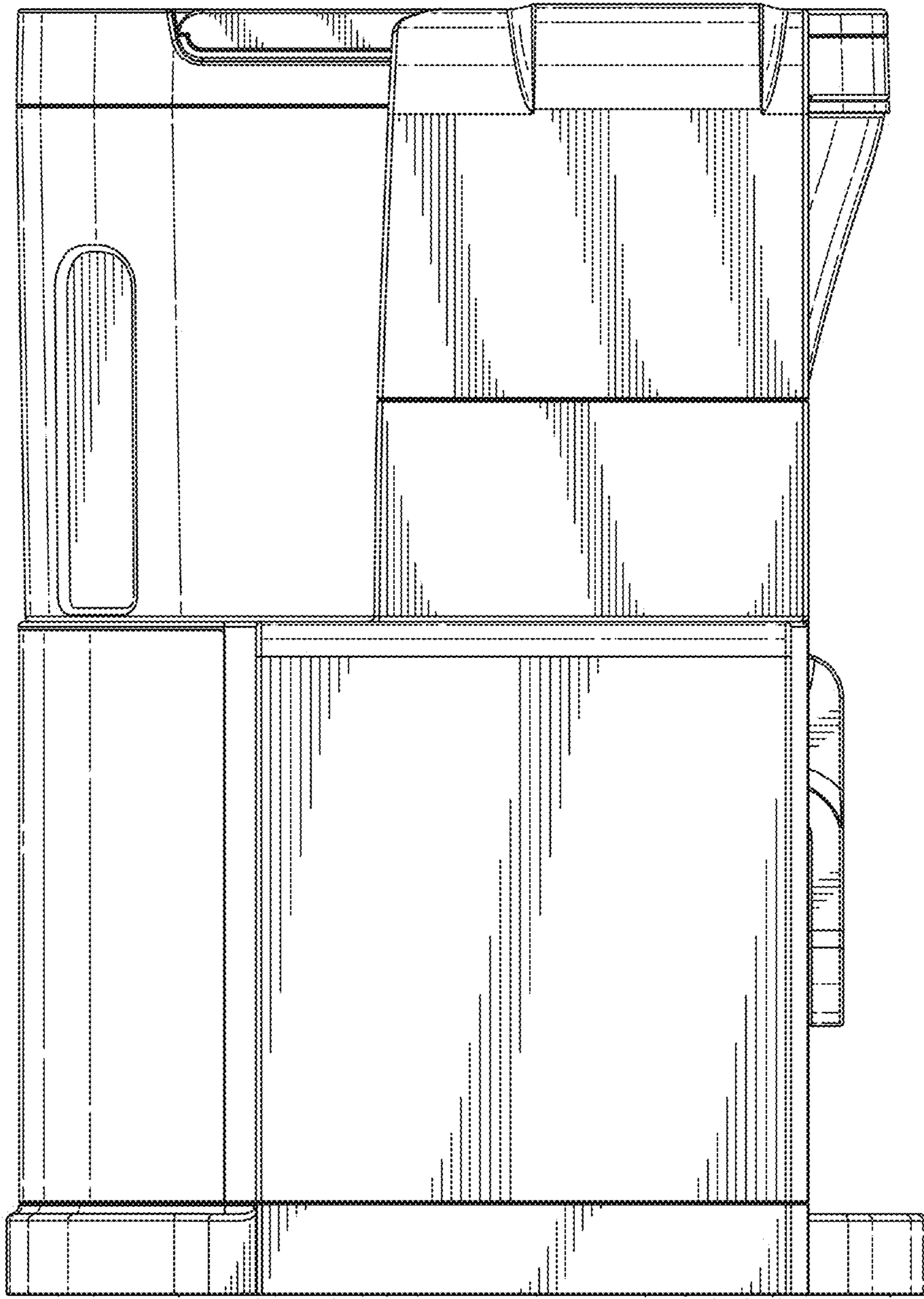


FIG. 4

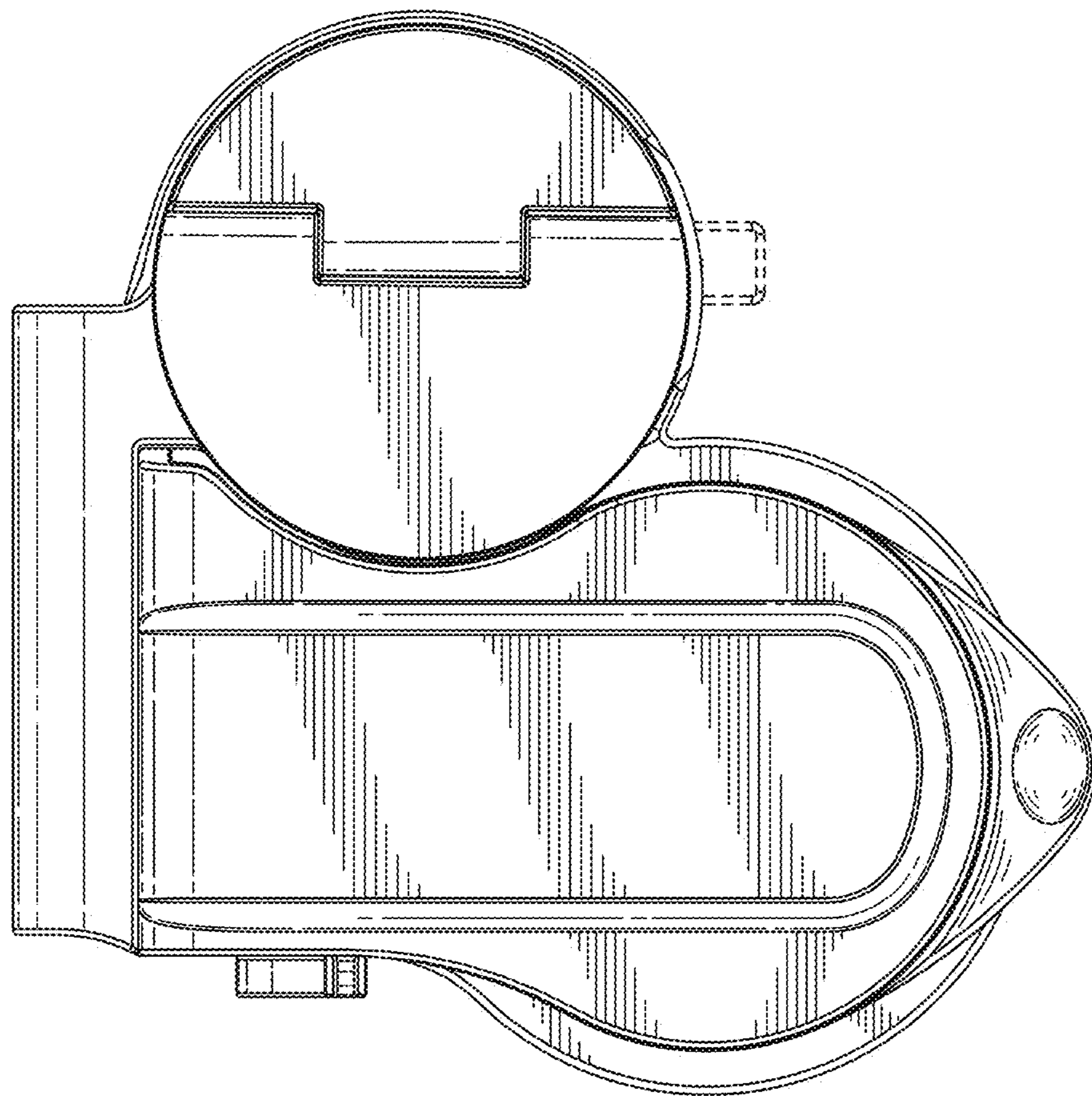


FIG. 5

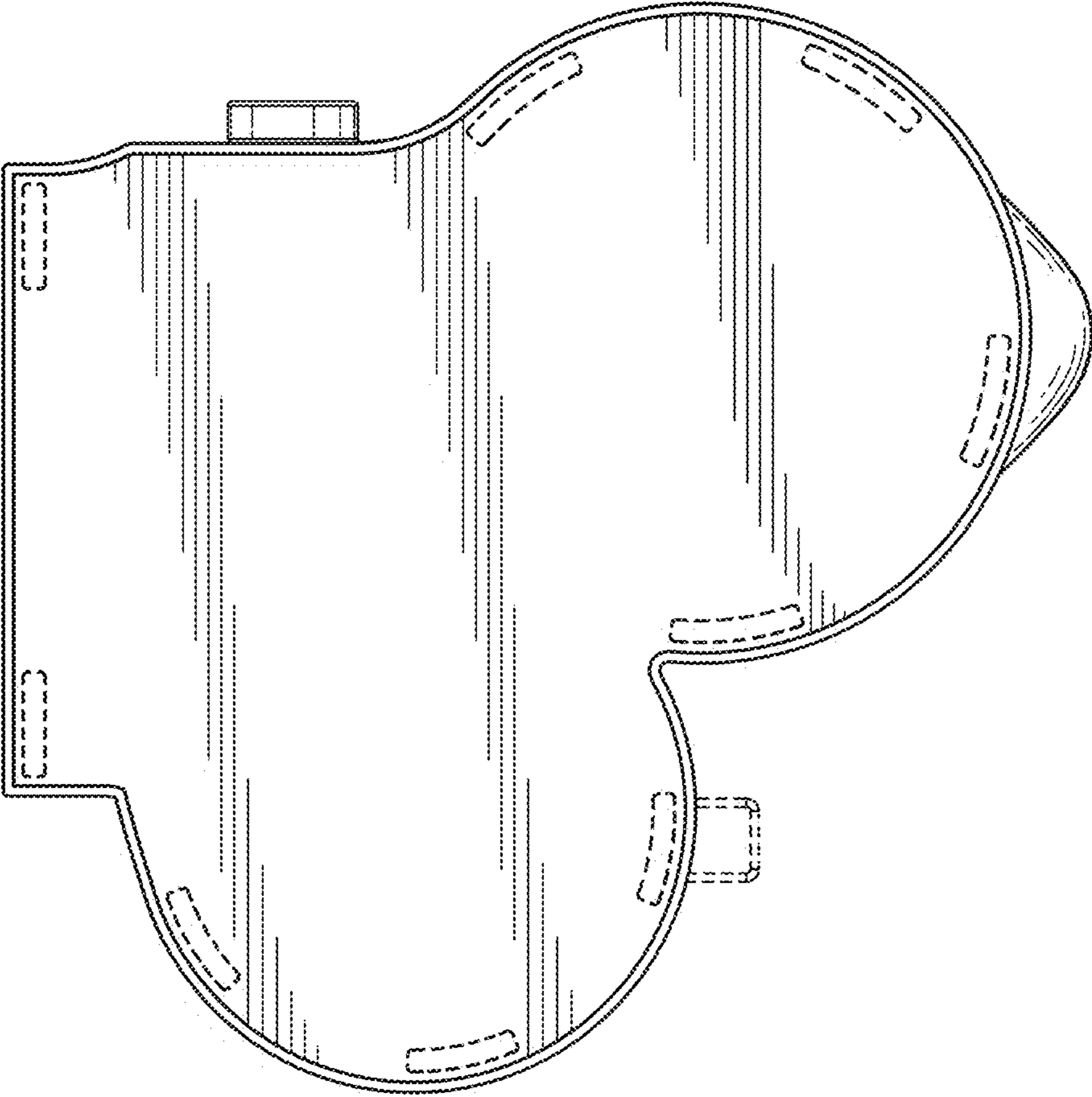


FIG. 6

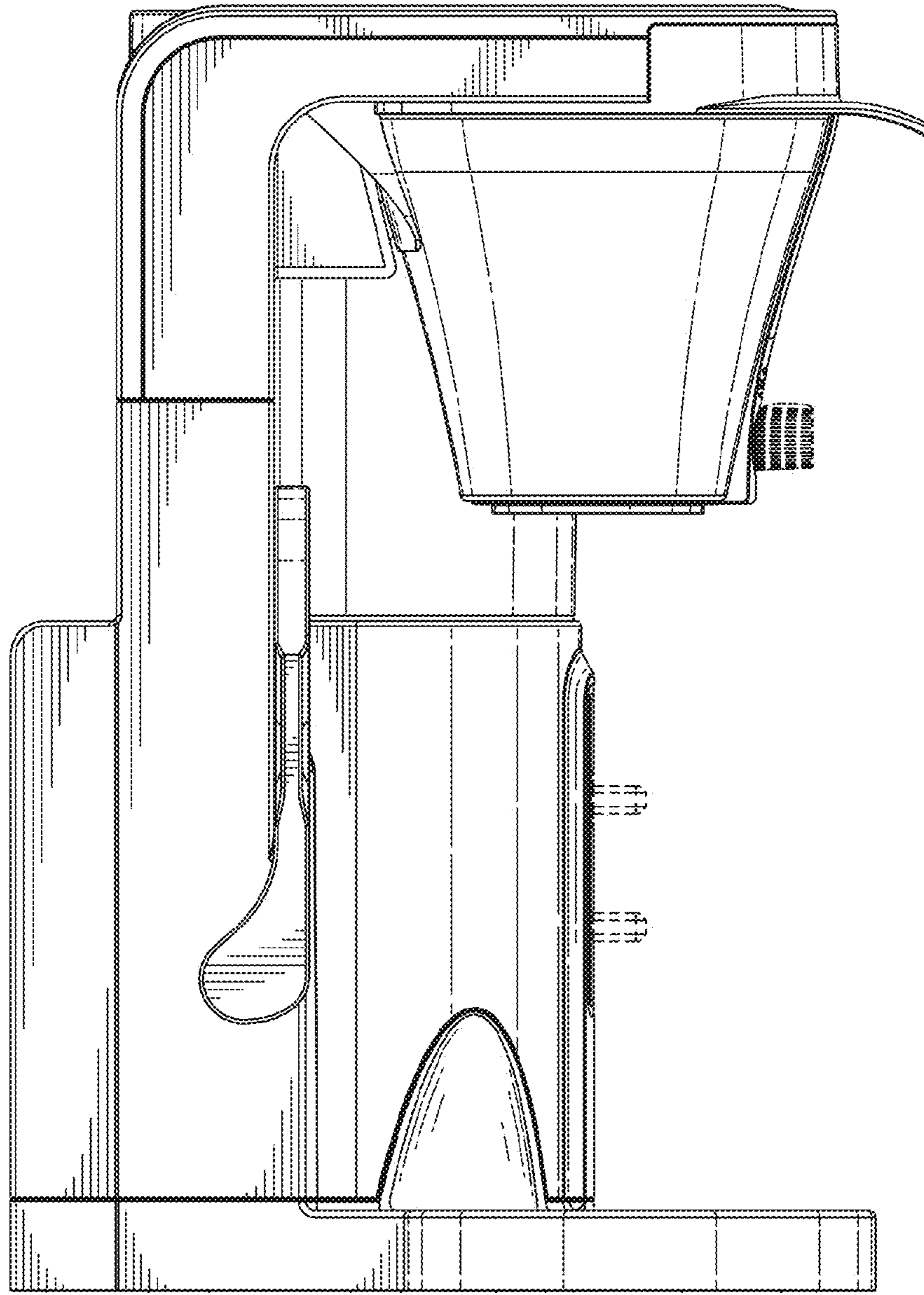


FIG. 7



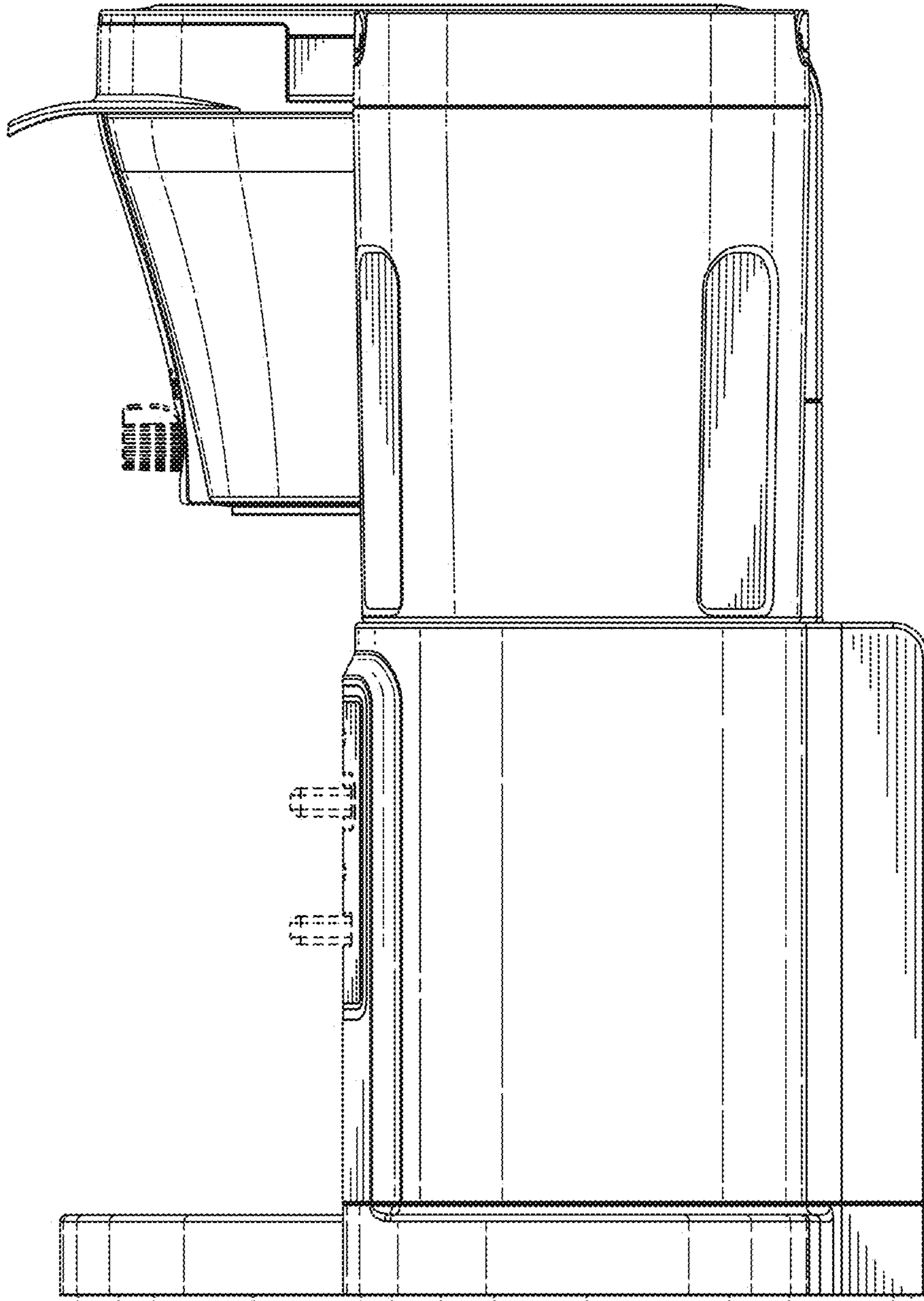


FIG. 8