



US00D745301S

(12) **United States Design Patent**  
**Cvek**

(10) **Patent No.:** **US D745,301 S**  
(45) **Date of Patent:** **\*\* Dec. 15, 2015**

(54) **MESH BACK TASK CHAIR BACK AND BOTTOM WITH PELVIC POSITIONING**

(71) Applicant: **Sava Cvek**, Jamaica Plain, MA (US)

(72) Inventor: **Sava Cvek**, Jamaica Plain, MA (US)

(\*\*) Term: **14 Years**

(21) Appl. No.: **29/503,667**

(22) Filed: **Sep. 29, 2014**

**Related U.S. Application Data**

(63) Continuation of application No. 29/473,119, filed on Nov. 19, 2013, now Pat. No. Des. 714,070.

(51) **LOC (10) Cl.** ..... **06-01**

(52) **U.S. Cl.**  
USPC ..... **D6/716; D6/366**

(58) **Field of Classification Search**  
USPC ..... D6/334-336, 360-381, 716, D6/716.1-716.4

CPC ..... A47C 1/02; A47C 1/03255; A47C 1/024; A47C 3/025; A47C 3/026; A47C 7/02; A47C 7/022; A47C 7/282; A47C 7/40; A47C 7/402; A47C 7/44; A47C 7/46; A47C 7/54; B60N 2/64; B60N 2/66

See application file for complete search history.

(56) **References Cited**

**U.S. PATENT DOCUMENTS**

233,140 A 10/1880 Candrian  
2,819,911 A 1/1958 Syak

(Continued)

*Primary Examiner* — Ricky Pham

(74) *Attorney, Agent, or Firm* — O'Connell Law Firm; Thomas P. O'Connell

(57) **CLAIM**

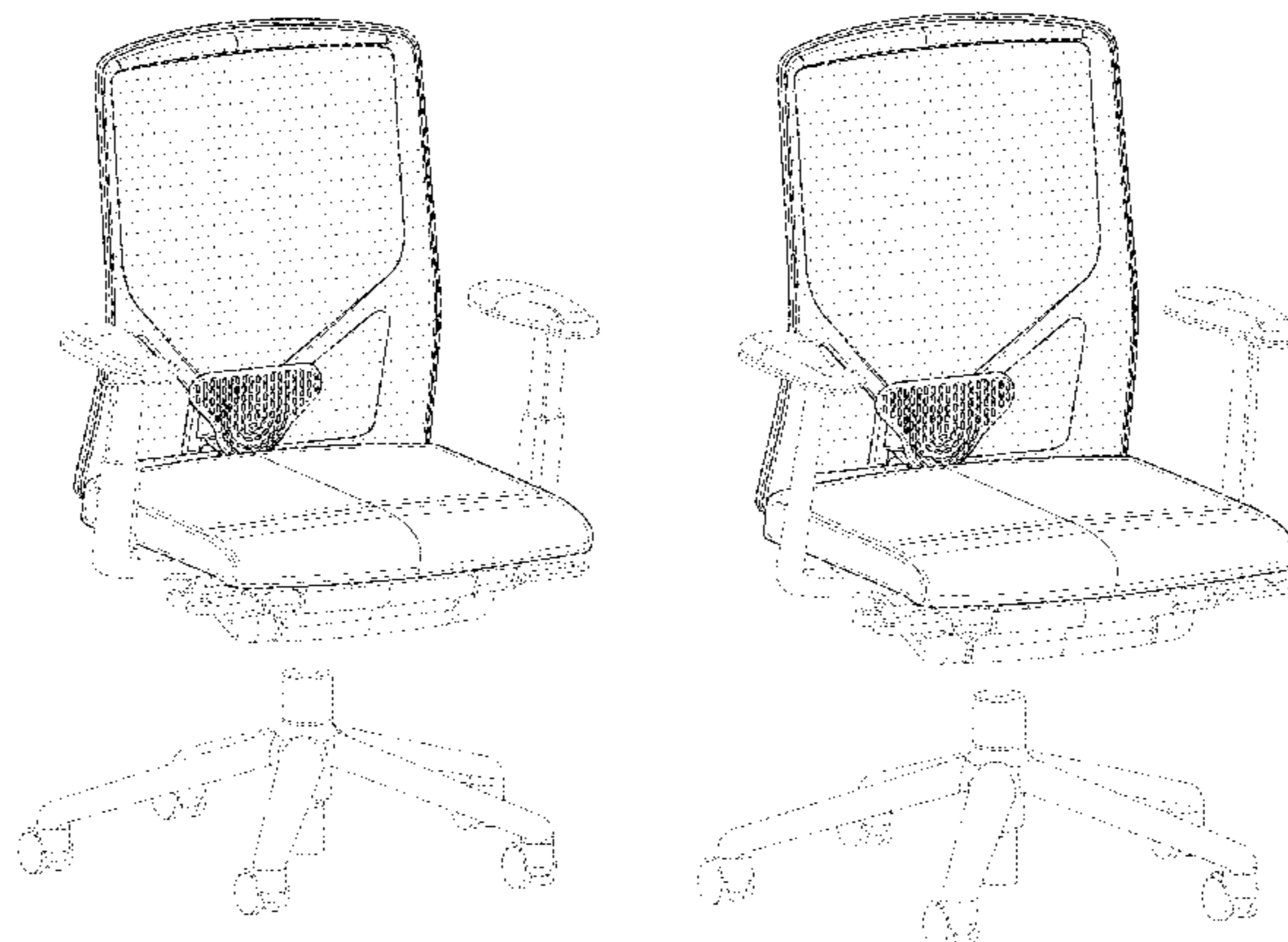
The new and ornamental design for a mesh back task chair back and bottom with pelvic positioning, as shown and described.

**DESCRIPTION**

FIG. 1 is a perspective view of a mesh back task chair back and bottom with pelvic positioning showing my new design;

FIG. 2 is a view in front elevation of the mesh back task chair back and bottom with pelvic positioning of FIG. 1; FIG. 3 is a view in rear elevation of the mesh back task chair back and bottom with pelvic positioning of FIG. 1; FIG. 4 is a view in left side elevation of the mesh back task chair back and bottom with pelvic positioning of FIG. 1; FIG. 5 is a view in right side elevation of the mesh back task chair back and bottom with pelvic positioning of FIG. 1; FIG. 6 is a top plan view of the mesh back task chair back and bottom with pelvic positioning of FIG. 1; FIG. 7 is a bottom plan view of the mesh back task chair back and bottom with pelvic positioning of FIG. 1; FIG. 8 is a bottom plan view of the mesh back task chair back and bottom with pelvic positioning of FIG. 1 with the support base, which forms no part of the claimed design, removed for clarity; FIG. 9 is a bottom plan view of the mesh back task chair back and bottom with pelvic positioning of FIG. 1 with the support base, control mechanisms, and arms, which form no part of the claimed design, removed for clarity; FIG. 10 is a perspective view of a mesh back task chair back and bottom with pelvic positioning showing my new design with fixed-height arms, which form no part of the claimed design; FIG. 11 is a view in front elevation of the mesh back task chair back and bottom with pelvic positioning of FIG. 10; FIG. 12 is a view in rear elevation of the mesh back task chair back and bottom with pelvic positioning of FIG. 10; FIG. 13 is a view in left side elevation of the mesh back task chair back and bottom with pelvic positioning of FIG. 10; FIG. 14 is a view in right side elevation of the mesh back task chair back and bottom with pelvic positioning of FIG. 10; FIG. 15 is a top plan view of the mesh back task chair back and bottom with pelvic positioning of FIG. 10; FIG. 16 is a bottom plan view of the mesh back task chair back and bottom with pelvic positioning of FIG. 10; FIG. 17 is a bottom plan view of the mesh back task chair back and bottom with pelvic positioning of FIG. 10 with the support base, which forms no part of the claimed design, removed for clarity; and, FIG. 18 is a bottom plan view of the mesh back task chair back and bottom with pelvic positioning of FIG. 10 with the support base, control mechanisms, and arms, which form no part of the claimed design, removed for clarity. The broken lines in the drawings are for illustrative purposes only and form no part of the claimed design. In addition, the particular mesh fabric of the chair back is shown for illustrative purposes only and forms no part of the claimed design.

**1 Claim, 18 Drawing Sheets**



(56)

References Cited

U.S. PATENT DOCUMENTS

4,854,641 A 8/1989 Reineman  
 5,772,282 A 6/1998 Stumpf  
 6,386,634 B1 5/2002 Stumpf  
 6,709,058 B1 3/2004 Diffrient  
 D493,626 S 8/2004 James  
 D499,895 S 12/2004 Olson  
 6,959,965 B2 11/2005 Diffrient  
 6,966,604 B2 11/2005 Stumpf  
 D514,832 S 2/2006 Tsai  
 D517,820 S 3/2006 Citterio  
 D521,755 S 5/2006 Kinoshita  
 D535,112 S \* 1/2007 Bernett et al. .... D6/366  
 D557,027 S 12/2007 Hara  
 D558,995 S 1/2008 Igarashi  
 D558,996 S 1/2008 Igarashi  
 D559,571 S 1/2008 Meda  
 D559,572 S 1/2008 Igarashi  
 D559,573 S 1/2008 Igarashi  
 D559,574 S 1/2008 Igarashi  
 D576,809 S 9/2008 Christianson et al.  
 D576,814 S \* 9/2008 Baldanzi et al. .... D6/366  
 7,517,024 B2 4/2009 Cvek  
 D596,418 S \* 7/2009 Ueda ..... D6/366

D607,672 S \* 1/2010 Kubryk ..... D6/716  
 D609,482 S \* 2/2010 Englisch et al. .... D6/366  
 7,806,478 B1 10/2010 Cvek  
 D662,331 S \* 6/2012 Czumaj-Bront et al. .... D6/366  
 D663,129 S \* 7/2012 Greutmann ..... D6/366  
 D671,332 S \* 11/2012 Izawa ..... D6/366  
 D679,107 S \* 4/2013 Darrow et al. .... D6/366  
 D687,641 S \* 8/2013 Barrell ..... D6/366  
 D694,537 S \* 12/2013 Smith et al. .... D6/366  
 D694,538 S \* 12/2013 Smith et al. .... D6/366  
 D701,068 S \* 3/2014 Usumoto et al. .... D6/716  
 D703,988 S \* 5/2014 Smith et al. .... D6/716.4  
 D704,487 S \* 5/2014 Smith et al. .... D6/716  
 D704,944 S \* 5/2014 Koepke et al. .... D6/366  
 D707,976 S \* 7/2014 Smith et al. .... D6/366  
 D710,640 S \* 8/2014 Usumoto et al. .... D6/716  
 D711,127 S \* 8/2014 Wilkinson et al. .... D6/366  
 D713,664 S \* 9/2014 Vetter et al. .... D6/716  
 D714,069 S \* 9/2014 Cvek ..... D6/366  
 D714,070 S \* 9/2014 Cvek ..... D6/366  
 D724,367 S \* 3/2015 Sander ..... D6/716  
 D727,076 S \* 4/2015 Usumoto ..... D6/716  
 D727,079 S \* 4/2015 Usumoto ..... D6/716.4  
 D728,292 S \* 5/2015 Ooki ..... D6/716.4  
 2005/0275265 A1 12/2005 Deimen

\* cited by examiner

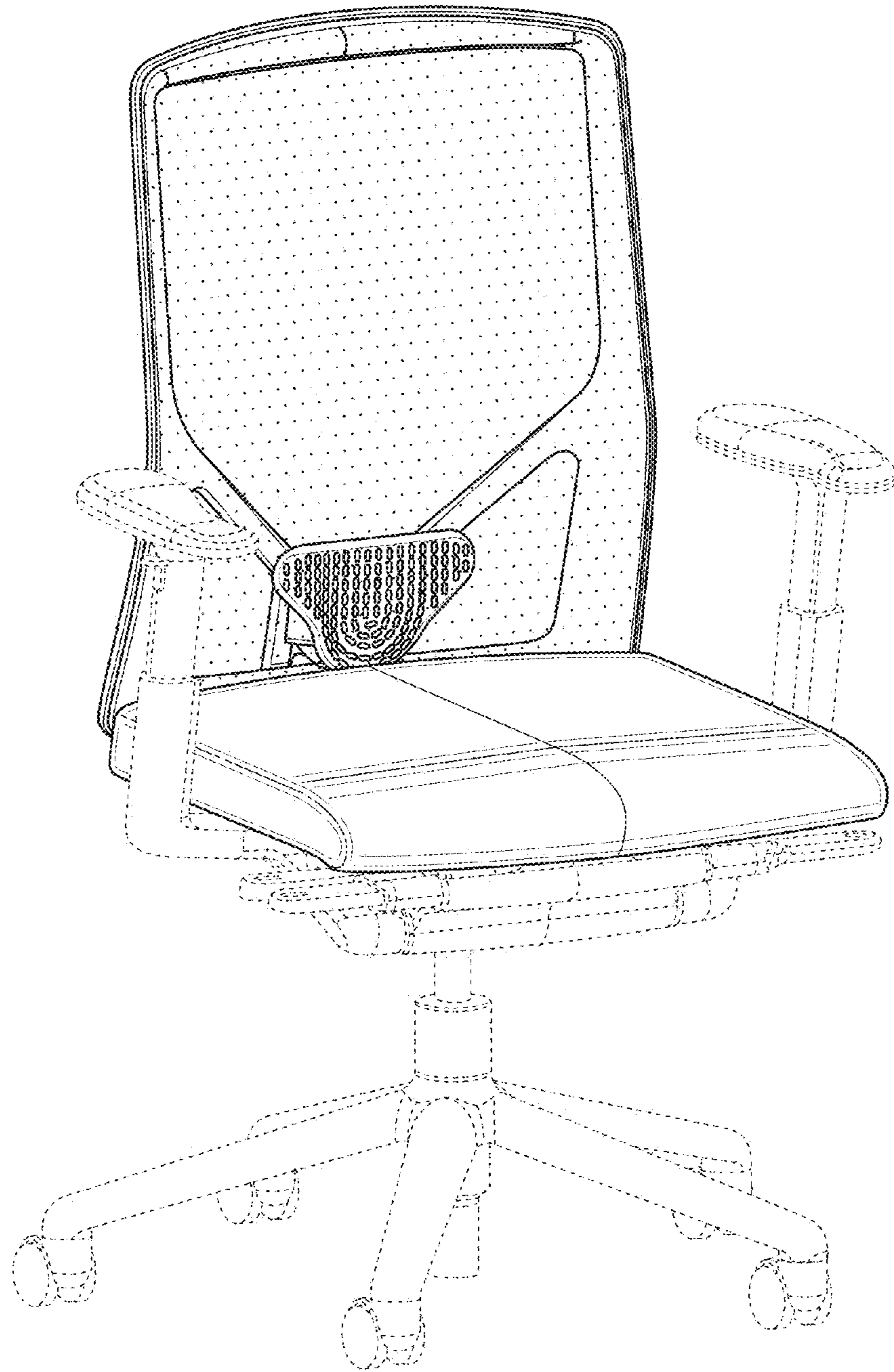


FIG. 1

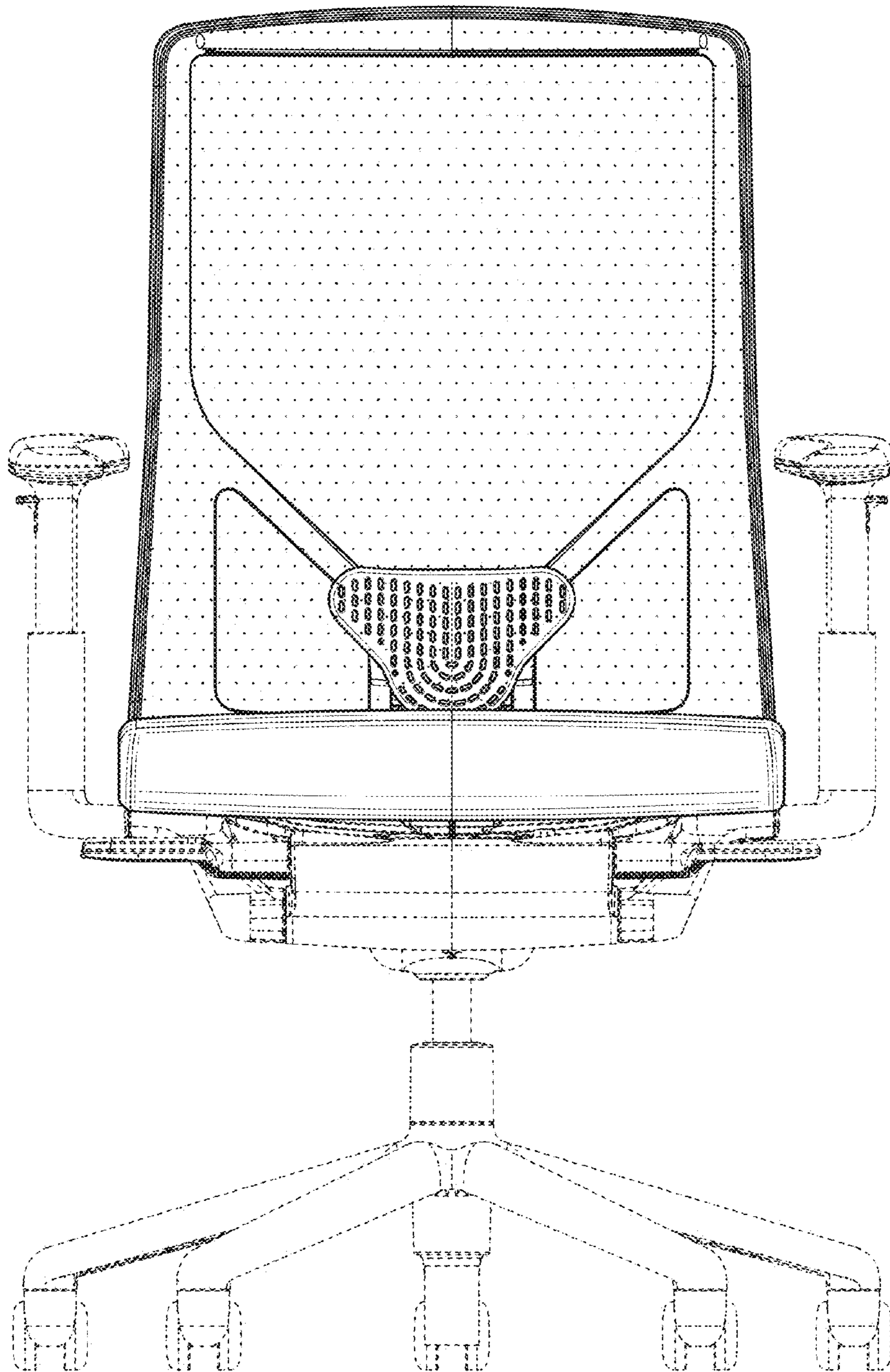


FIG. 2

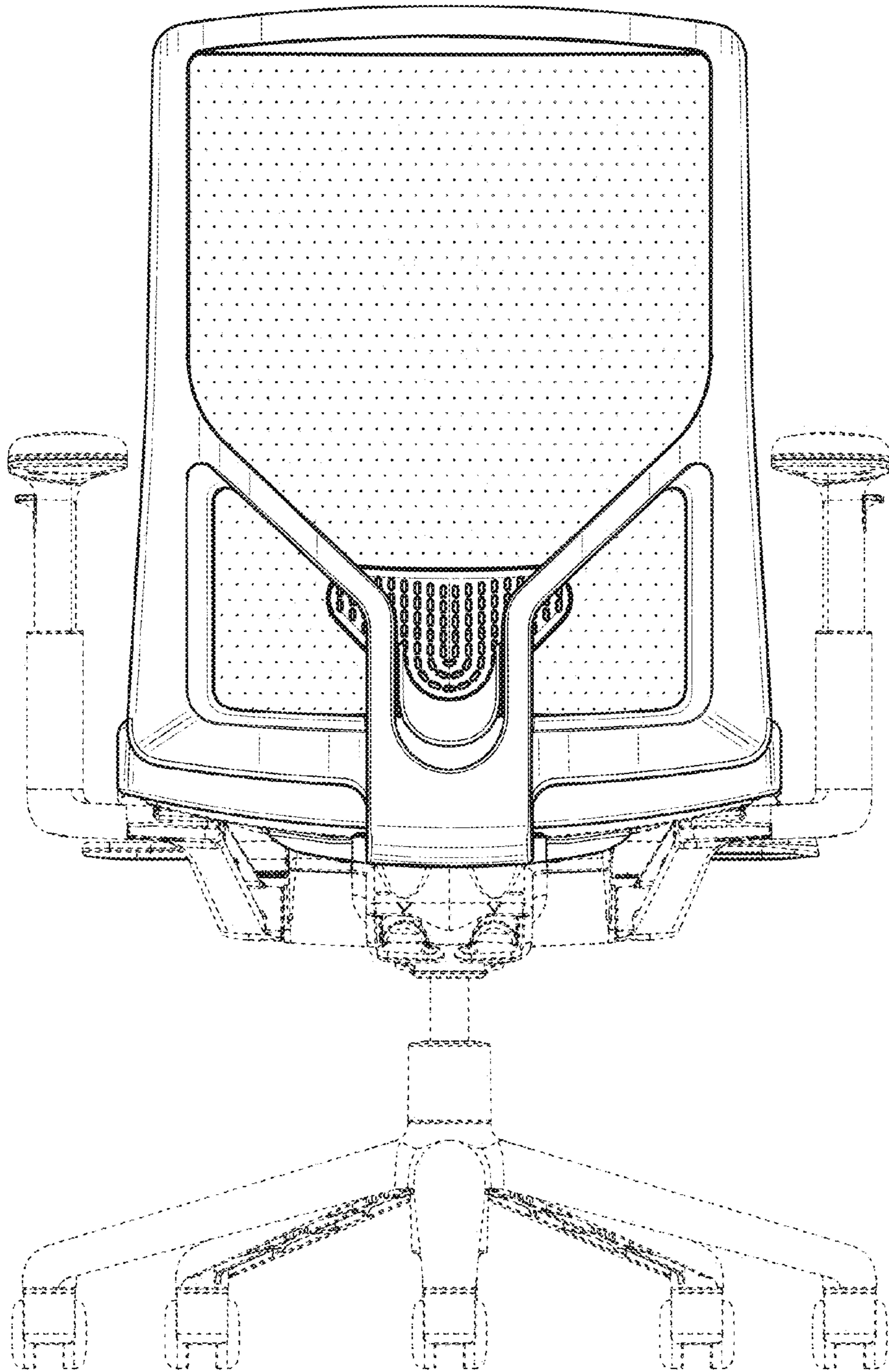


FIG. 3

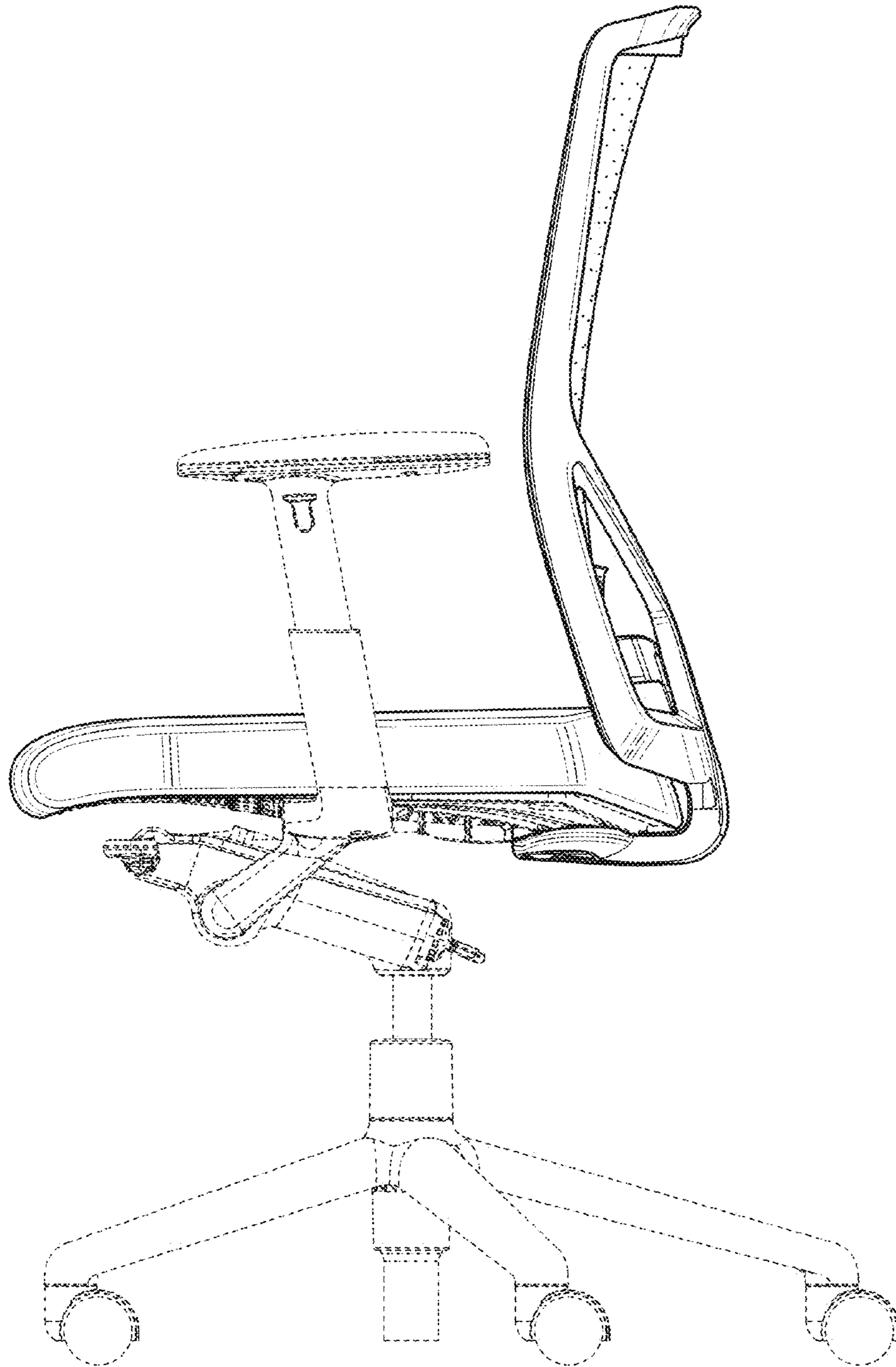


FIG. 4

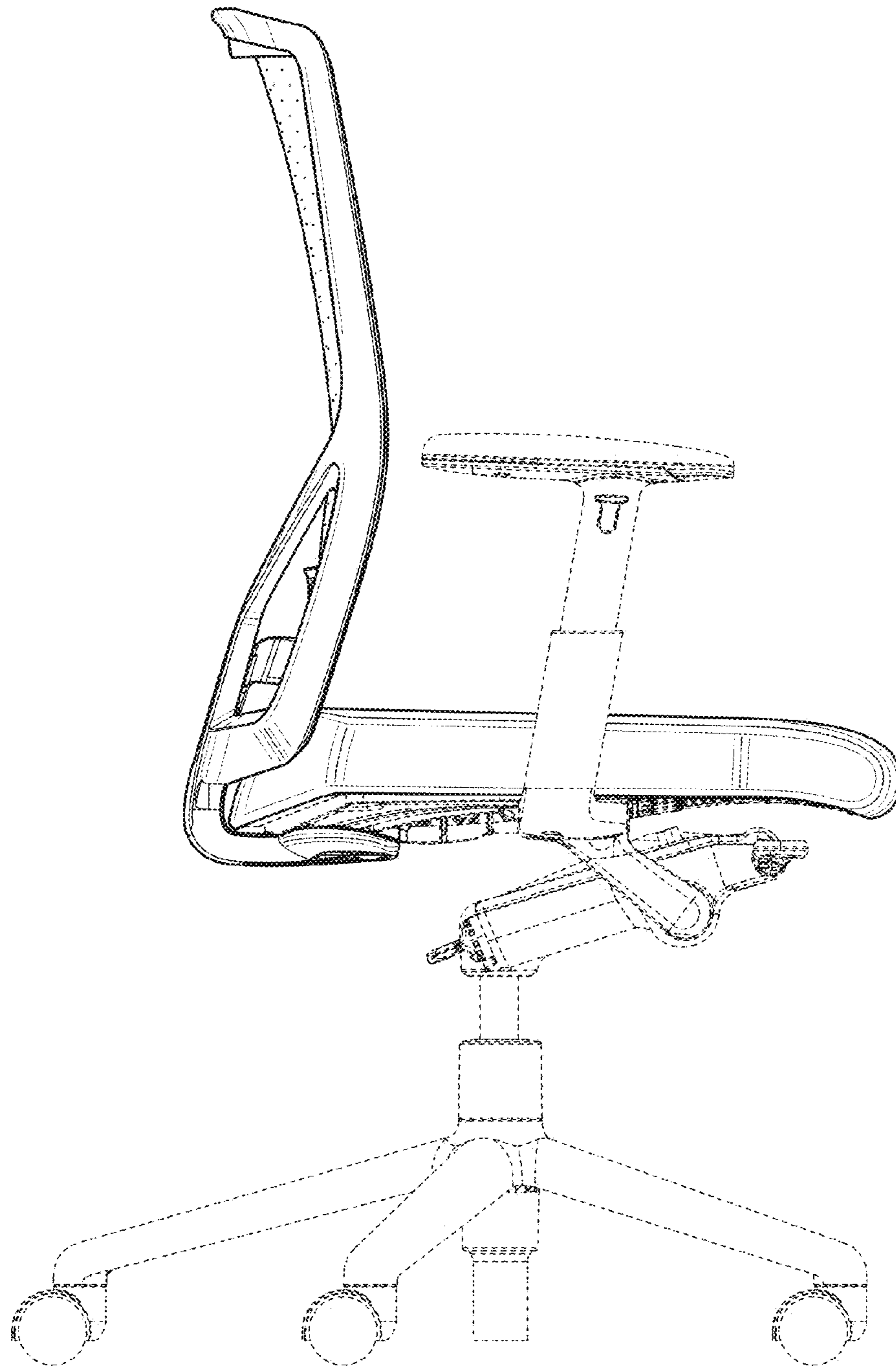


FIG. 5

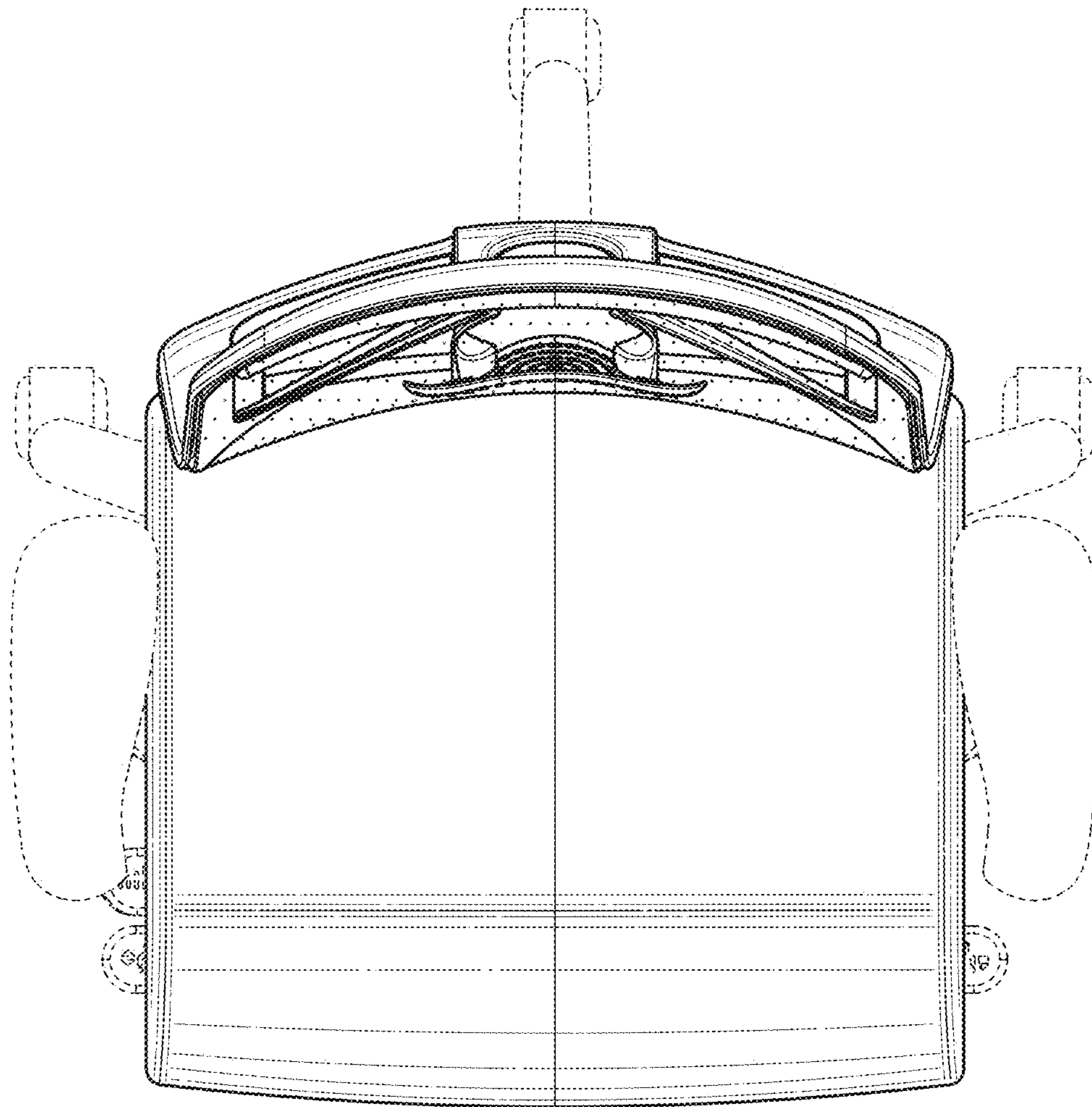


FIG. 6



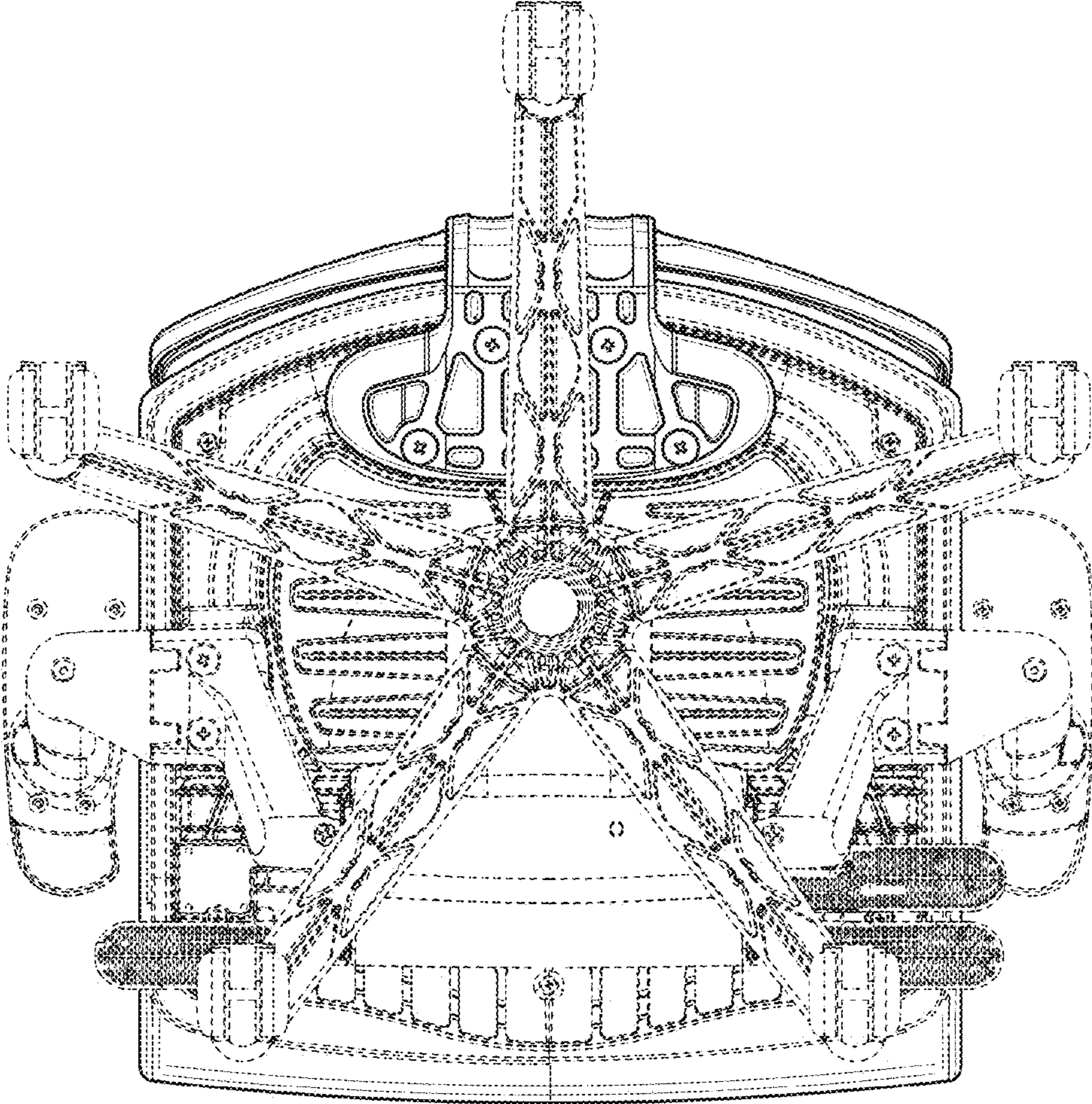


FIG. 7

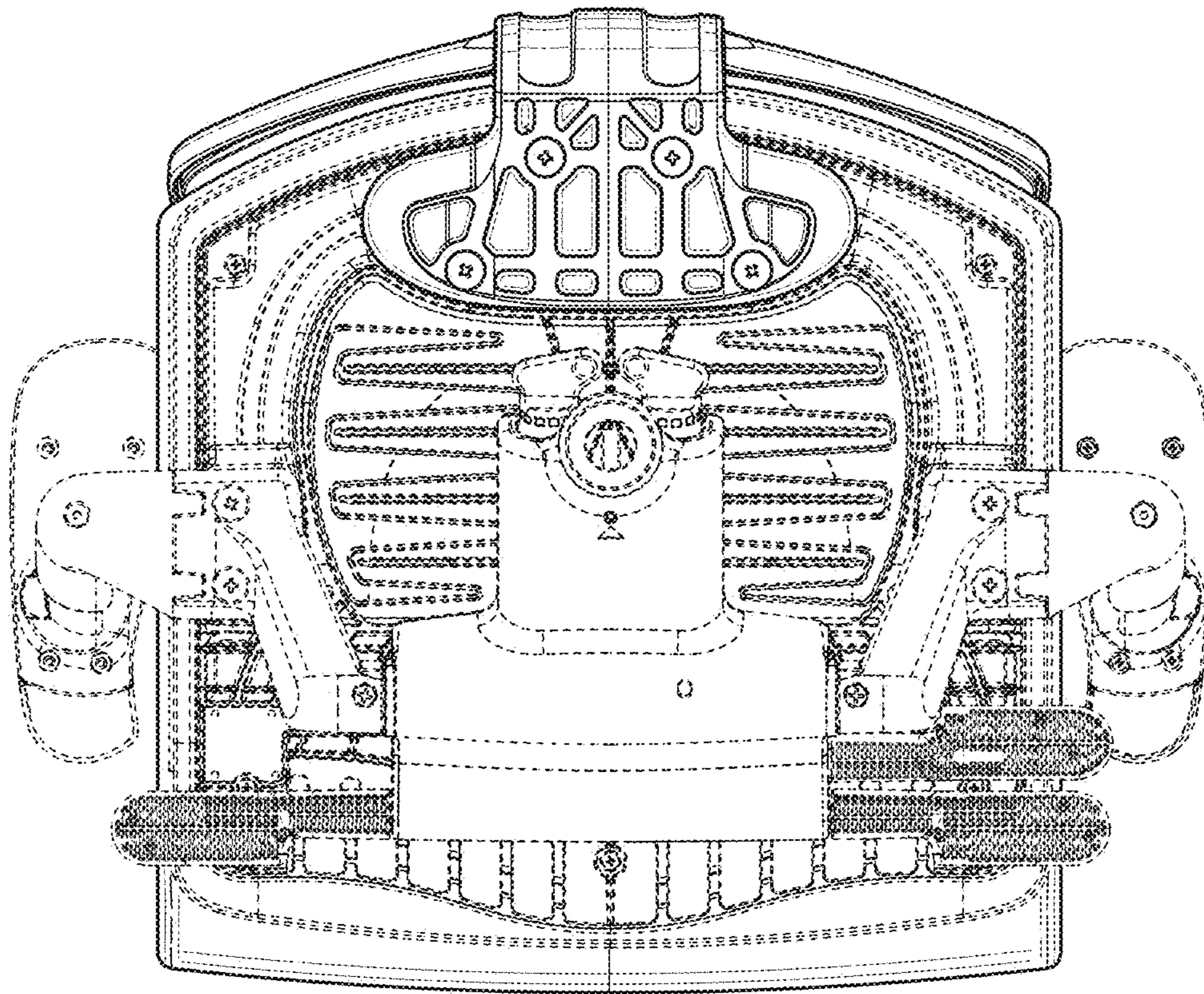


FIG. 8

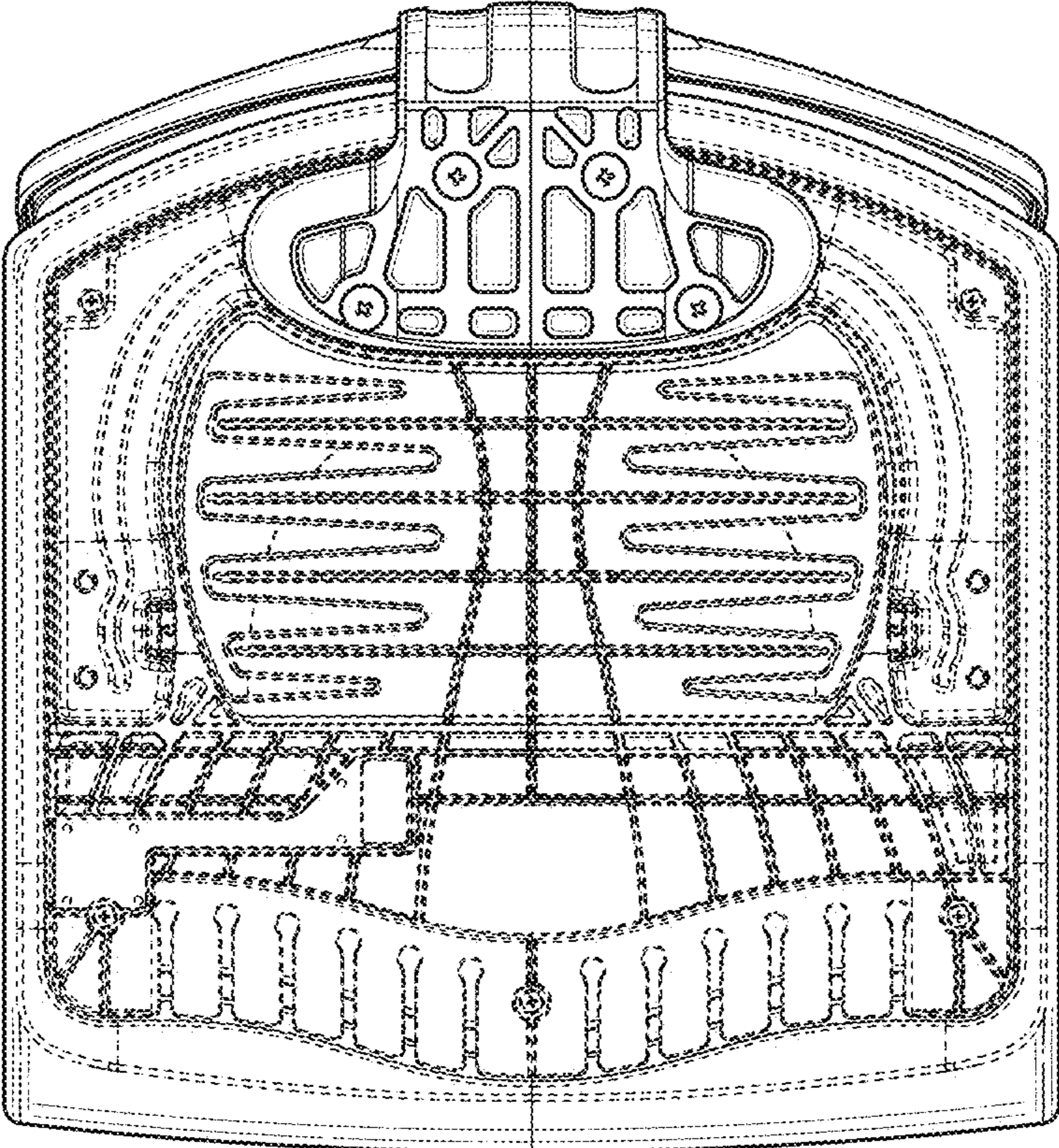


FIG. 9

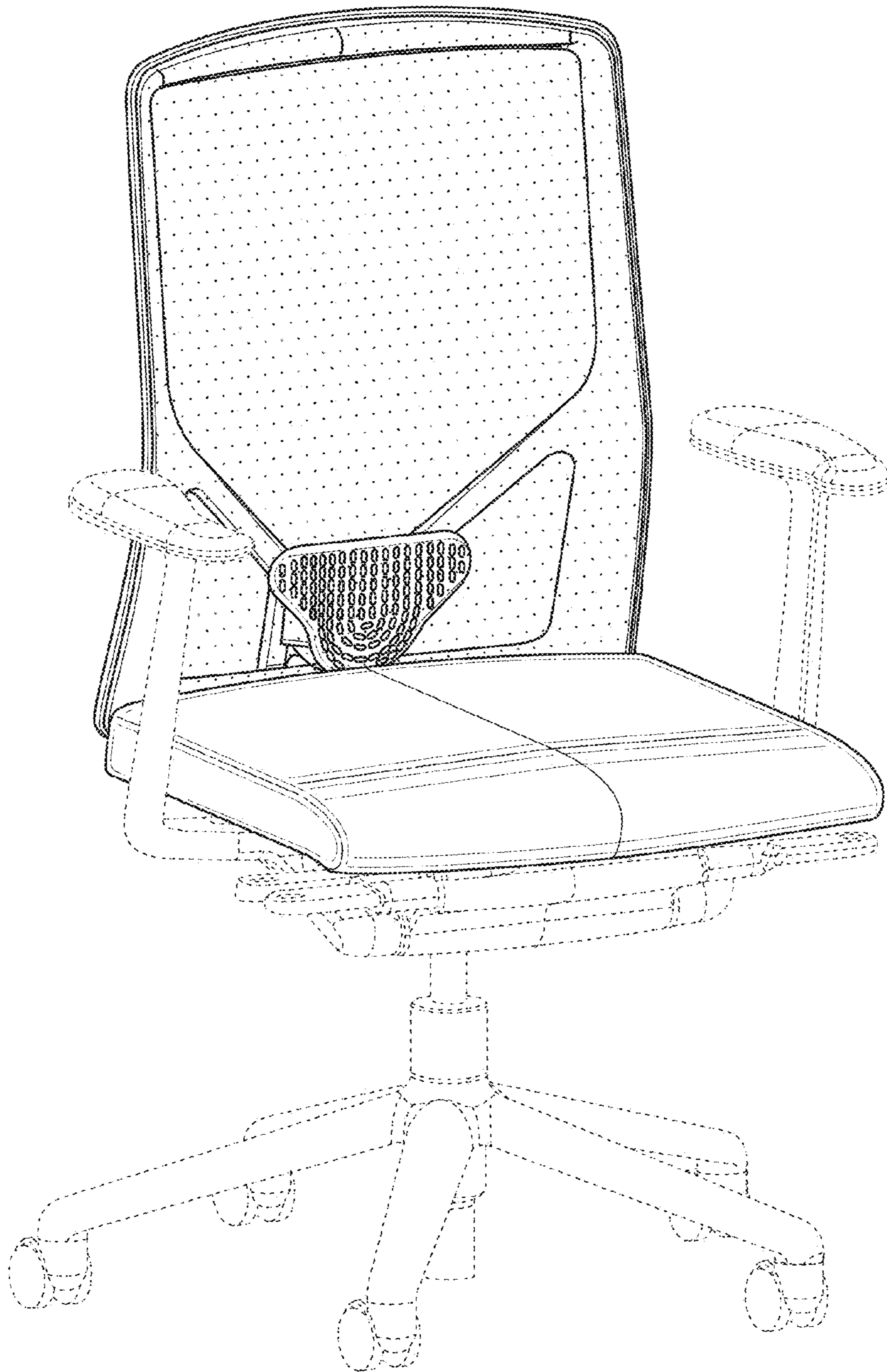


FIG. 10

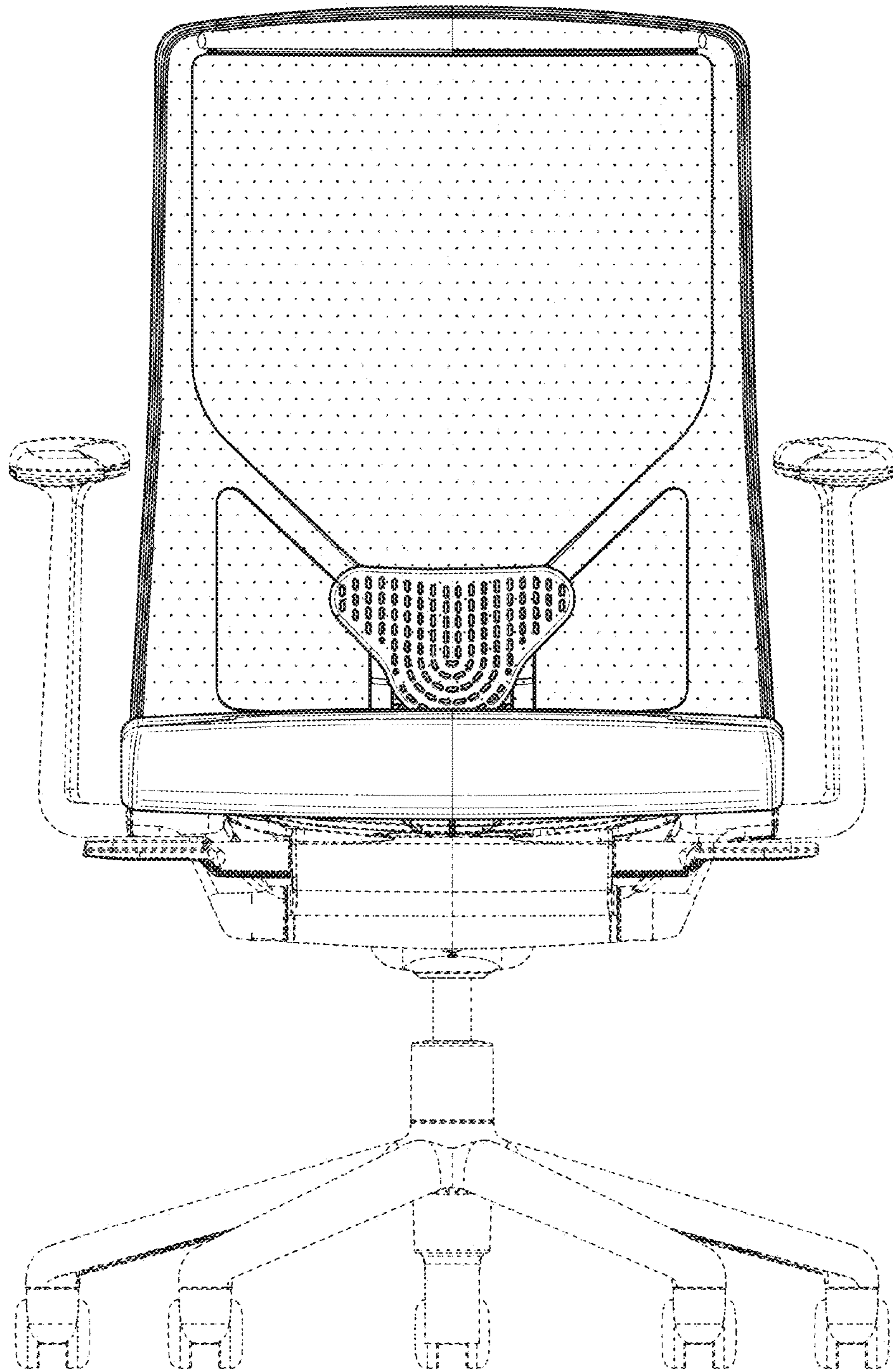


FIG. 11

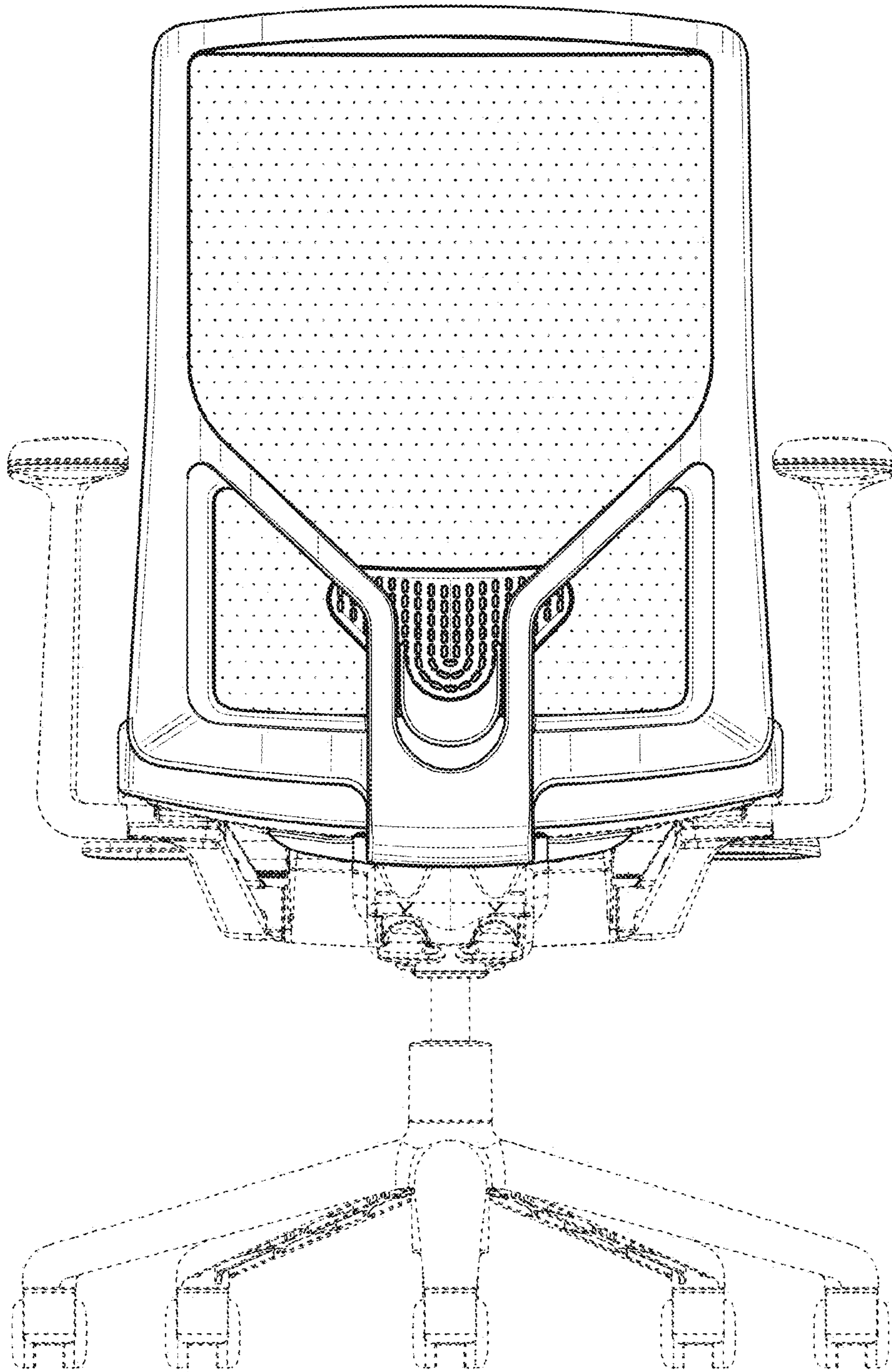


FIG. 12

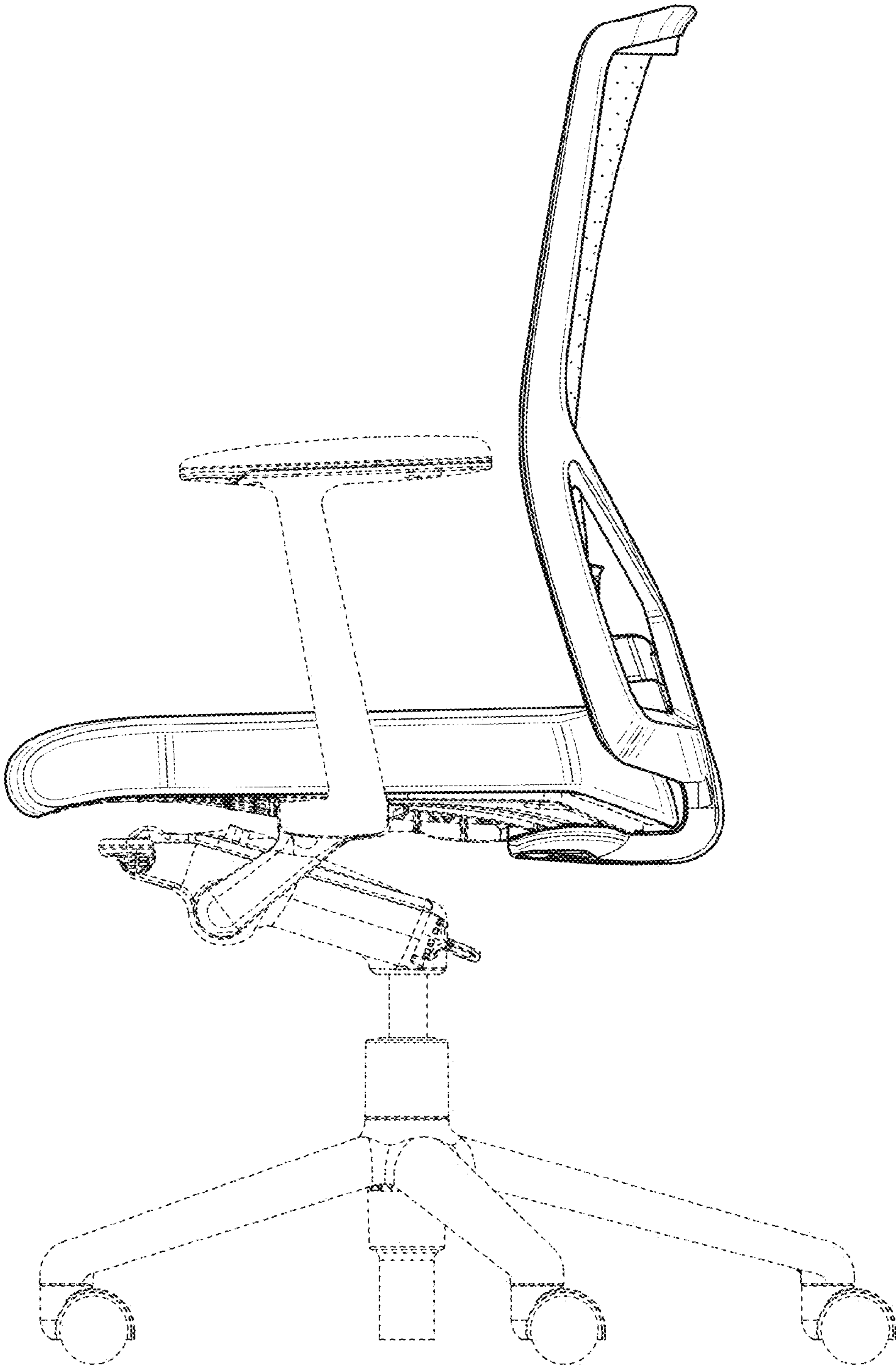


FIG. 13

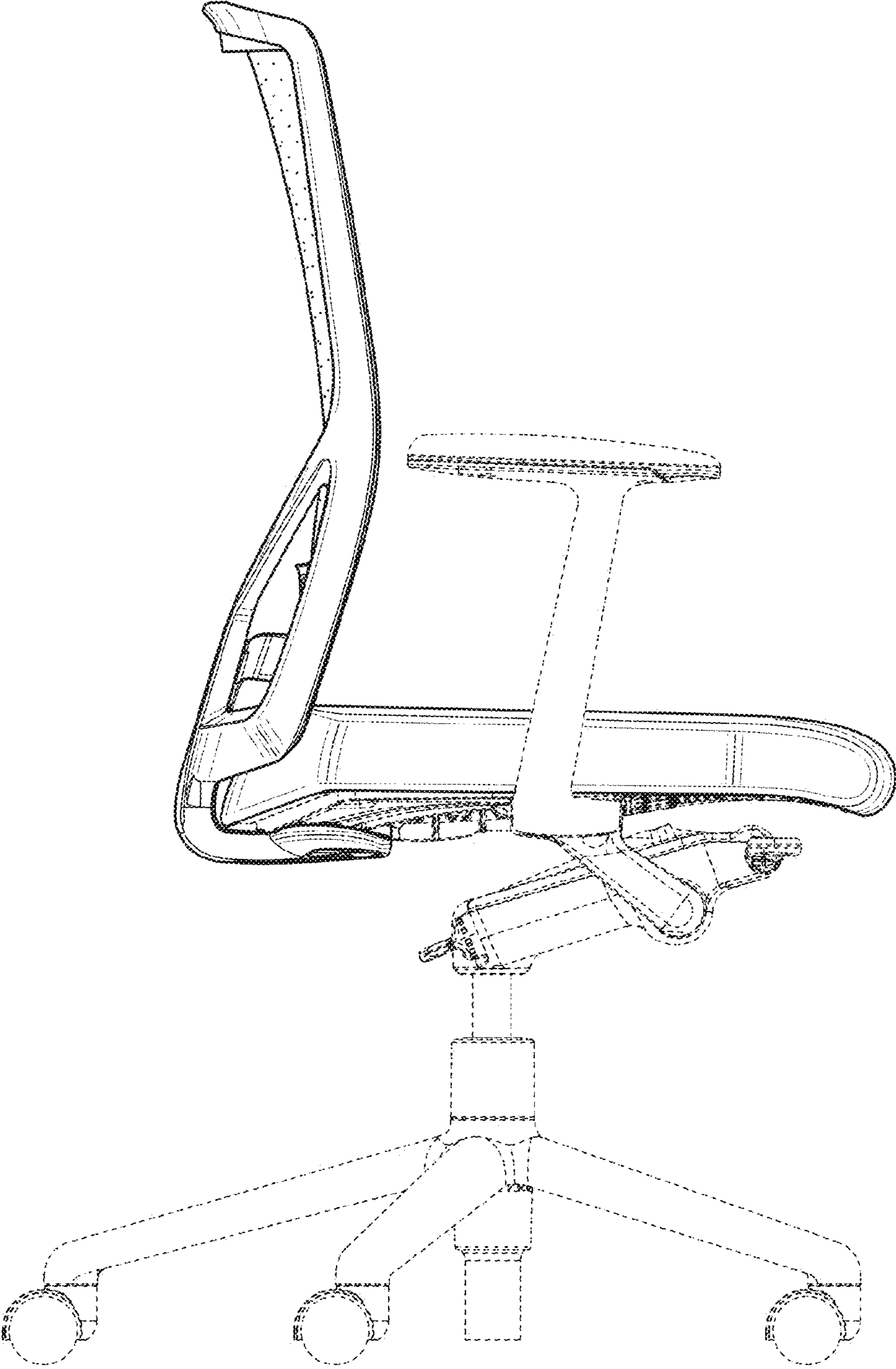


FIG. 14



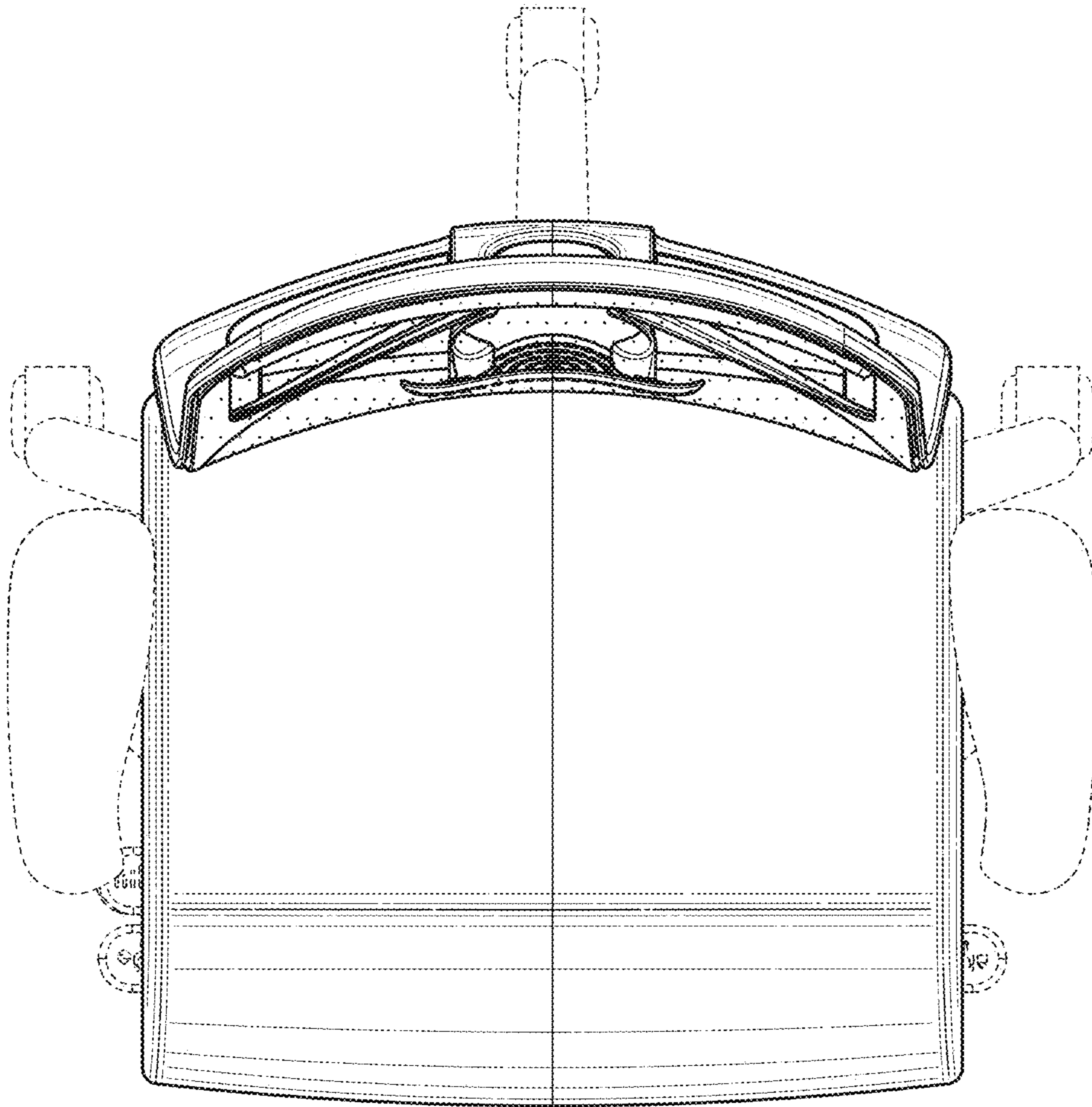


FIG. 15

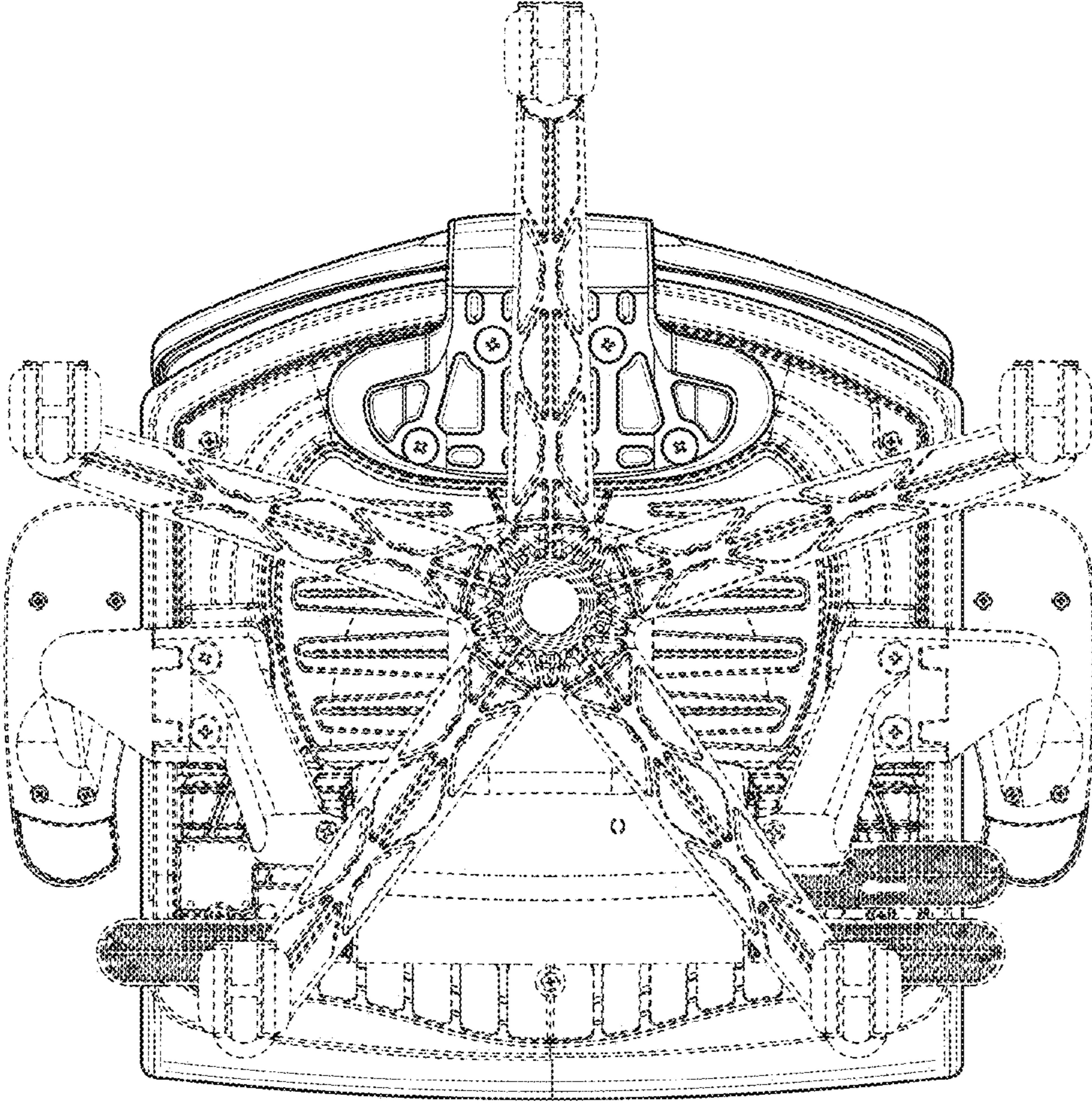


FIG. 16

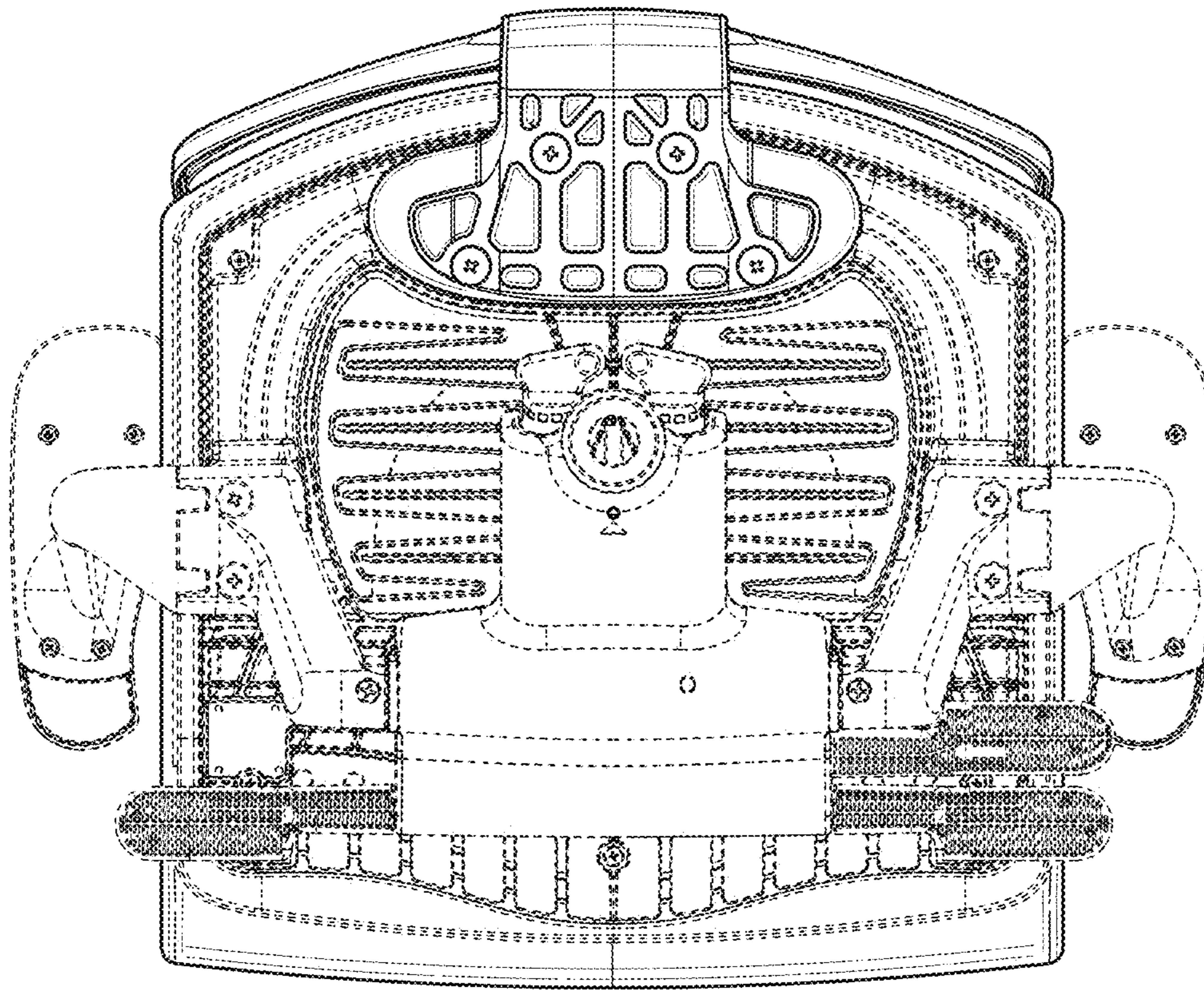


FIG. 17

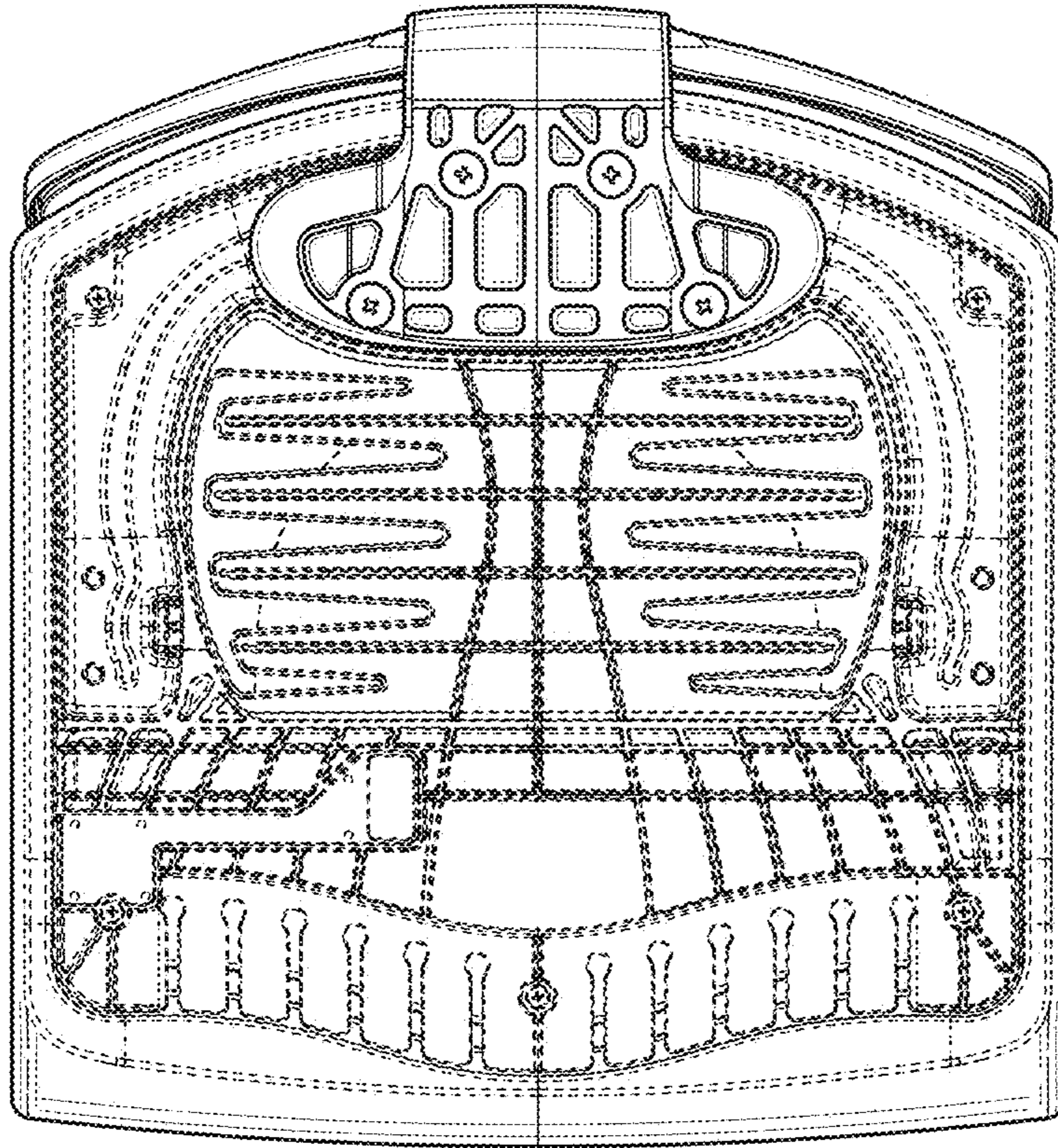


FIG. 18