



US00D745300S

(12) **United States Design Patent**
Cvek

(10) **Patent No.:** **US D745,300 S**
(45) **Date of Patent:** **** Dec. 15, 2015**

(54) **MESH BACK TASK CHAIR BACK AND BOTTOM**

(71) Applicant: **Sava Cvek**, Jamaica, MA (US)

(72) Inventor: **Sava Cvek**, Jamaica, MA (US)

(**) Term: **14 Years**

(21) Appl. No.: **29/503,663**

(22) Filed: **Sep. 29, 2014**

Related U.S. Application Data

(63) Continuation of application No. 29/473,117, filed on Nov. 19, 2013, now Pat. No. Des. 714,069.

(51) **LOC (10) Cl.** **06-01**

(52) **U.S. Cl.**
USPC **D6/716; D6/366**

(58) **Field of Classification Search**
USPC D6/334-336, 360-381, 716,
D6/716.1-716.4

CPC A47C 1/02; A47C 1/03255; A47C 1/024;
A47C 3/025; A47C 3/026; A47C 7/02;
A47C 7/022; A47C 7/282; A47C 7/40;
A47C 7/402; A47C 7/44; A47C 7/46; A47C
7/54; B60N 2/64; B60N 2/66

See application file for complete search history.

(56) **References Cited**

U.S. PATENT DOCUMENTS

233,140 A 10/1880 Candrian
2,819,911 A 1/1958 Syak

(Continued)

Primary Examiner — Ricky Pham

(74) *Attorney, Agent, or Firm* — O'Connell Law Firm;
Thomas P. O'Connell

(57) **CLAIM**

The new and ornamental design for a mesh back task chair back and bottom, as shown and described.

DESCRIPTION

FIG. 1 is a perspective view of a mesh back task chair back and bottom showing my new design;

FIG. 2 is a view in front elevation of the mesh back task chair back and bottom of FIG. 1;

FIG. 3 is a view in rear elevation of the mesh back task chair back and bottom of FIG. 1;

FIG. 4 is a view in left side elevation of the mesh back task chair back and bottom of FIG. 1;

FIG. 5 is a view in right side elevation of the mesh back task chair back and bottom of FIG. 1;

FIG. 6 is a top plan view of the mesh back task chair back and bottom of FIG. 1;

FIG. 7 is a bottom plan view of the mesh back task chair back and bottom of FIG. 1;

FIG. 8 is a bottom plan view of the mesh back task chair back and bottom of FIG. 1 with the support base, which forms no part of the claimed design, removed for clarity;

FIG. 9 is a bottom plan view of the mesh back task chair back and bottom of FIG. 1 with the support base, control mechanisms, and arms, which form no part of the claimed design, removed for clarity;

FIG. 10 is a perspective view of a mesh back task chair back and bottom showing my new design with fixed-height arms, which form no part of the claimed design;

FIG. 11 is a view in front elevation of the mesh back task chair back and bottom of FIG. 10;

FIG. 12 is a view in rear elevation of the mesh back task chair back and bottom of FIG. 10;

FIG. 13 is a view in left side elevation of the mesh back task chair back and bottom of FIG. 10;

FIG. 14 is a view in right side elevation of the mesh back task chair back and bottom of FIG. 10;

FIG. 15 is a top plan view of the mesh back task chair back and bottom of FIG. 10;

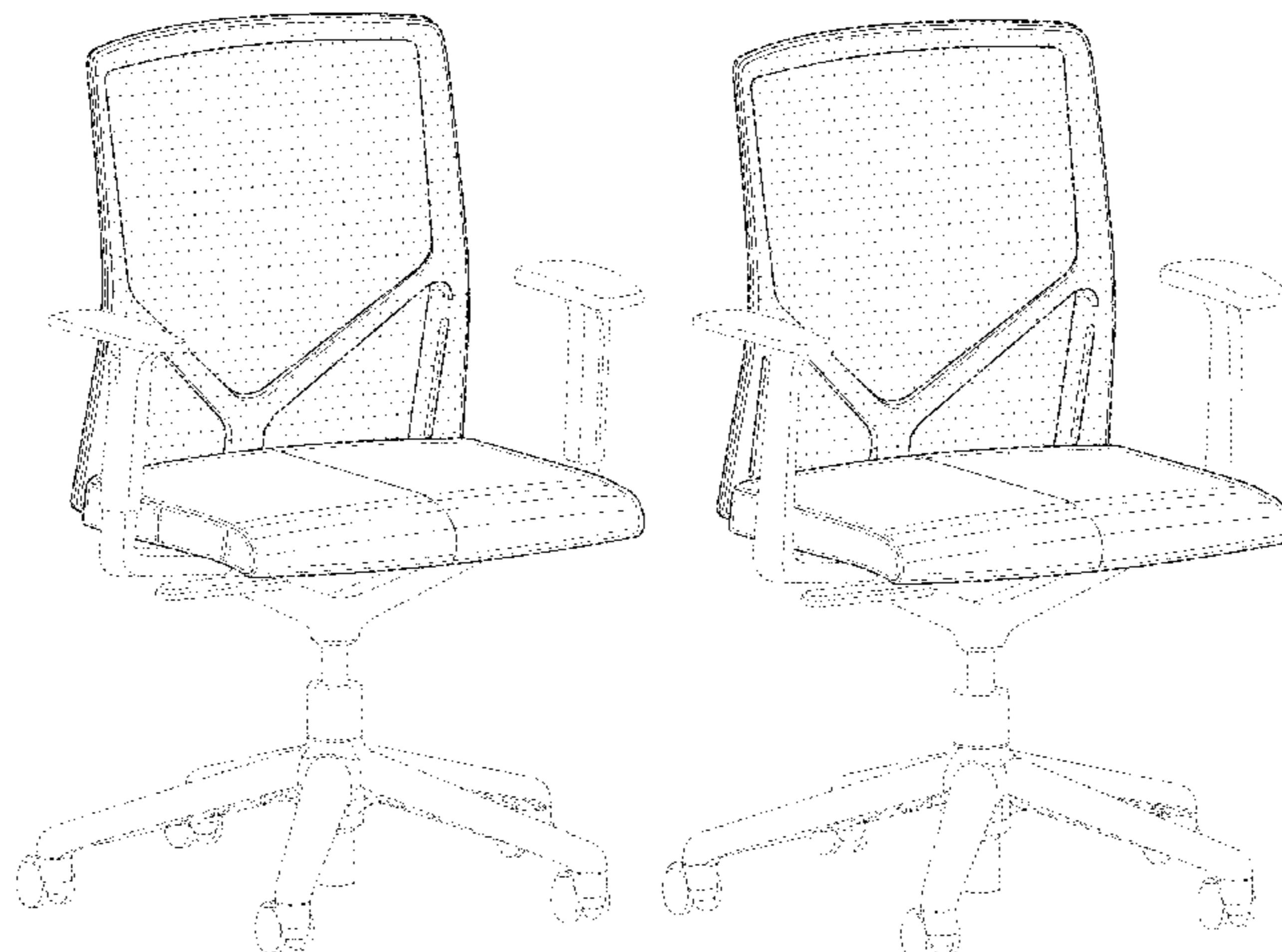
FIG. 16 is a bottom plan view of the mesh back task chair back and bottom of FIG. 10;

FIG. 17 is a bottom plan view of the mesh back task chair back and bottom of FIG. 10 with the support base, which forms no part of the claimed invention, removed for clarity; and,

FIG. 18 is a bottom plan view of the mesh back task chair back and bottom of FIG. 10 with the support base, control mechanisms, and arms, which form no part of the claimed design, removed for clarity.

The broken lines in the drawings are for illustrative purposes only and form no part of the claimed design. In addition, the particular mesh fabric of the chair back is shown for illustrative purposes only and forms no part of the claimed design.

1 Claim, 18 Drawing Sheets



(56)

References Cited

U.S. PATENT DOCUMENTS

4,854,641 A 8/1989 Reineman
 5,772,282 A 6/1998 Stumpf
 6,386,634 B1 5/2002 Stumpf
 6,709,058 B1 3/2004 Diffrient
 D493,626 S 8/2004 James
 D499,895 S 12/2004 Olson
 6,959,965 B2 11/2005 Diffrient
 6,966,604 B2 11/2005 Stumpf
 D514,832 S 2/2006 Tsai
 D517,820 S 3/2006 Citterio
 D521,755 S 5/2006 Kinoshita et al.
 D535,112 S * 1/2007 Bernett et al. D6/366
 D557,027 S 12/2007 Hara
 D558,995 S 1/2008 Igarashi
 D558,996 S 1/2008 Igarashi
 D559,571 S 1/2008 Meda
 D559,572 S 1/2008 Igarashi
 D559,573 S 1/2008 Igarashi
 D559,574 S 1/2008 Igarashi
 D576,809 S 9/2008 Christianson et al.
 D576,814 S * 9/2008 Baldanzi et al. D6/366
 7,517,024 B2 4/2009 Cvek
 D596,418 S * 7/2009 Ueda D6/366

D607,672 S * 1/2010 Kubryk D6/716
 D609,482 S * 2/2010 Englisch et al. D6/366
 7,806,478 B1 10/2010 Cvek
 D662,331 S * 6/2012 Czumaj-Bront et al. D6/366
 D663,129 S * 7/2012 Greutmann D6/366
 D671,332 S * 11/2012 Izawa D6/366
 D679,107 S * 4/2013 Darrow et al. D6/366
 D687,641 S * 8/2013 Barrell D6/366
 D694,537 S * 12/2013 Smith et al. D6/366
 D694,538 S * 12/2013 Smith et al. D6/366
 D701,068 S * 3/2014 Usumoto et al. D6/716
 D703,988 S * 5/2014 Smith et al. D6/716.4
 D704,487 S * 5/2014 Smith et al. D6/716
 D704,944 S * 5/2014 Koepke et al. D6/366
 D707,976 S * 7/2014 Smith et al. D6/366
 D710,640 S * 8/2014 Usumoto et al. D6/716
 D711,127 S * 8/2014 Wilkinson et al. D6/366
 D713,664 S * 9/2014 Vetter et al. D6/716
 D714,069 S * 9/2014 Cvek D6/366
 D714,070 S * 9/2014 Cvek D6/366
 D724,367 S * 3/2015 Sander D6/716
 D727,076 S * 4/2015 Usumoto D6/716
 D727,079 S * 4/2015 Usumoto D6/716.4
 D728,292 S * 5/2015 Ooki D6/716.4
 2005/0275265 A1 12/2005 Deimen

* cited by examiner

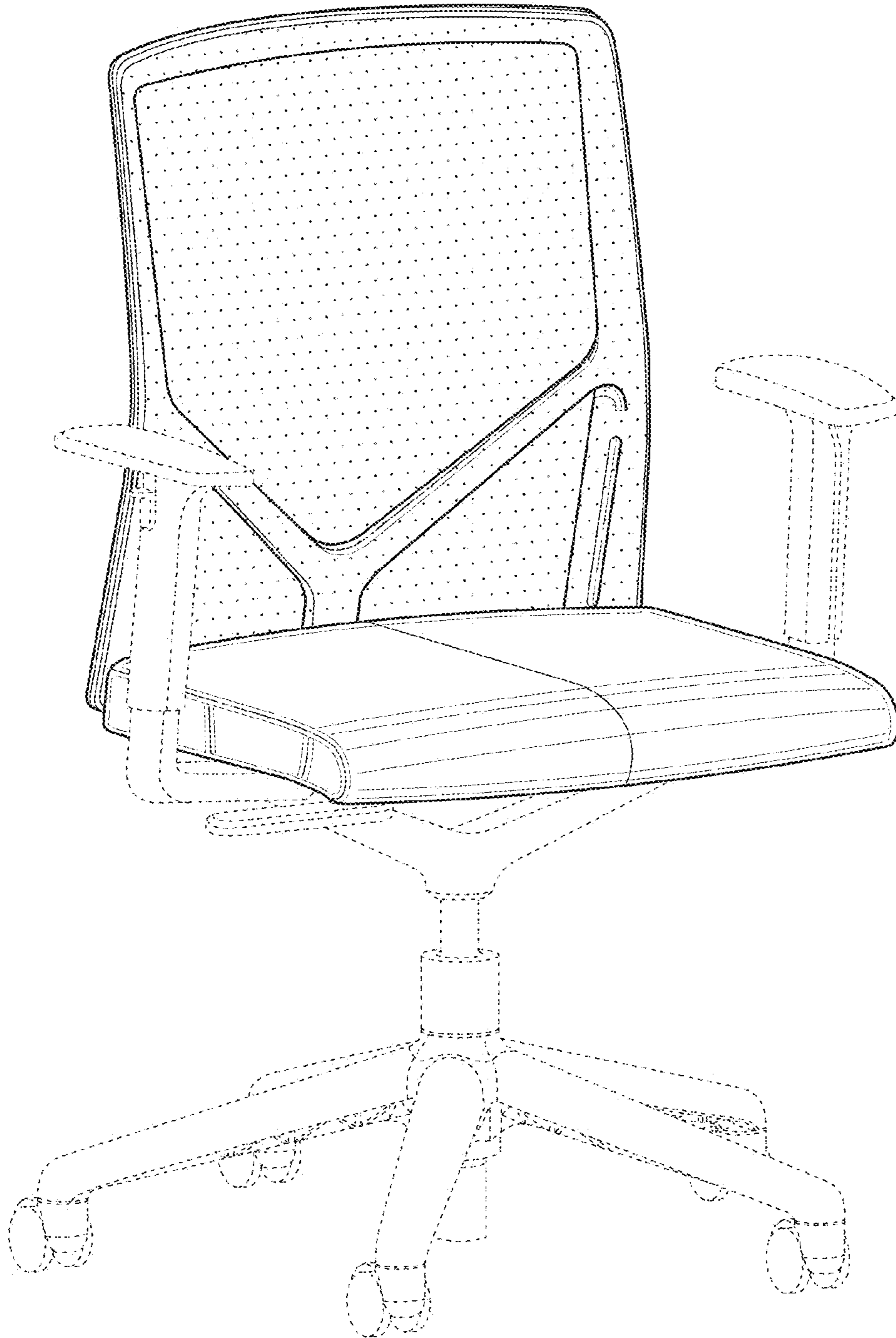


FIG. 1

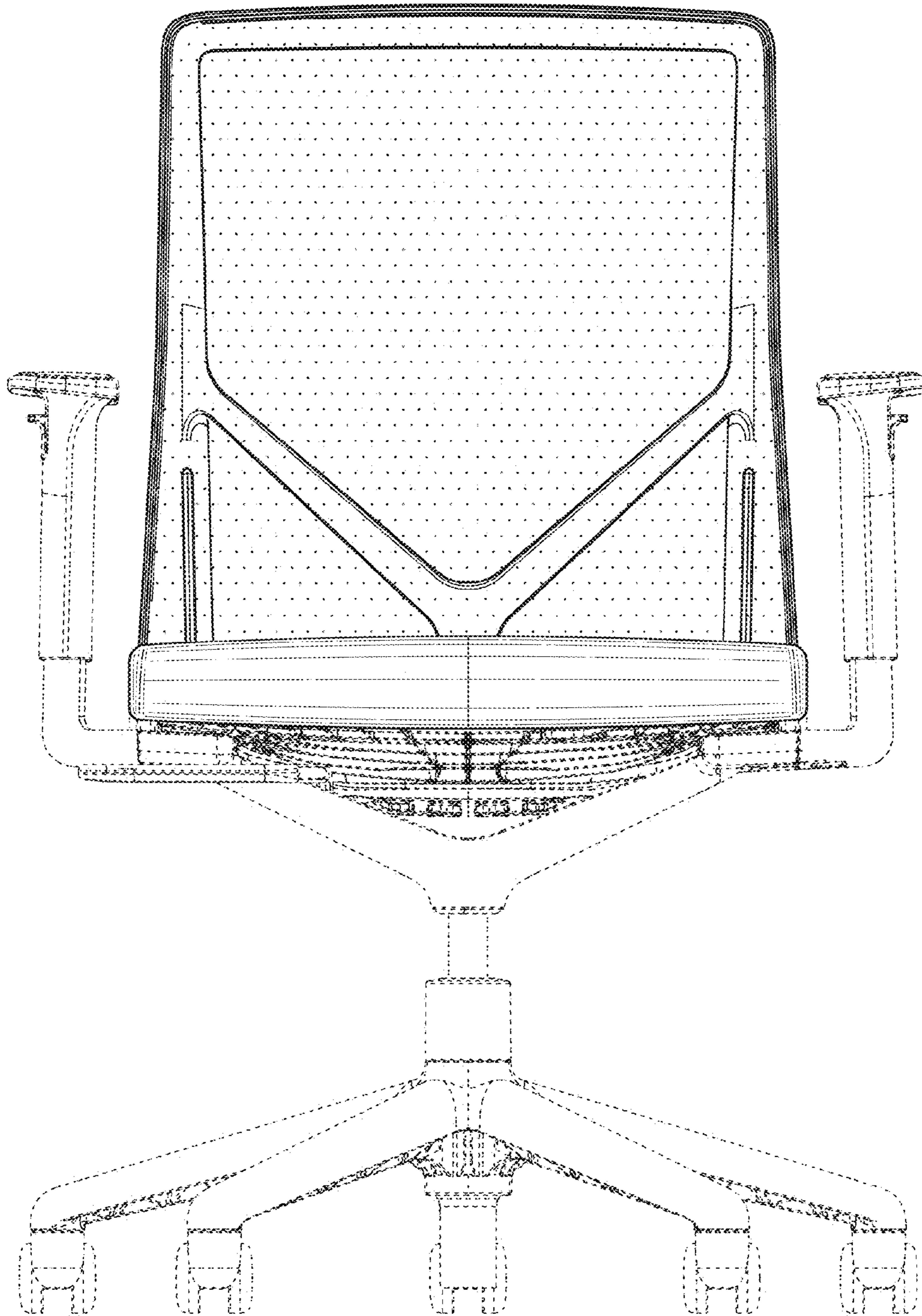


FIG. 2

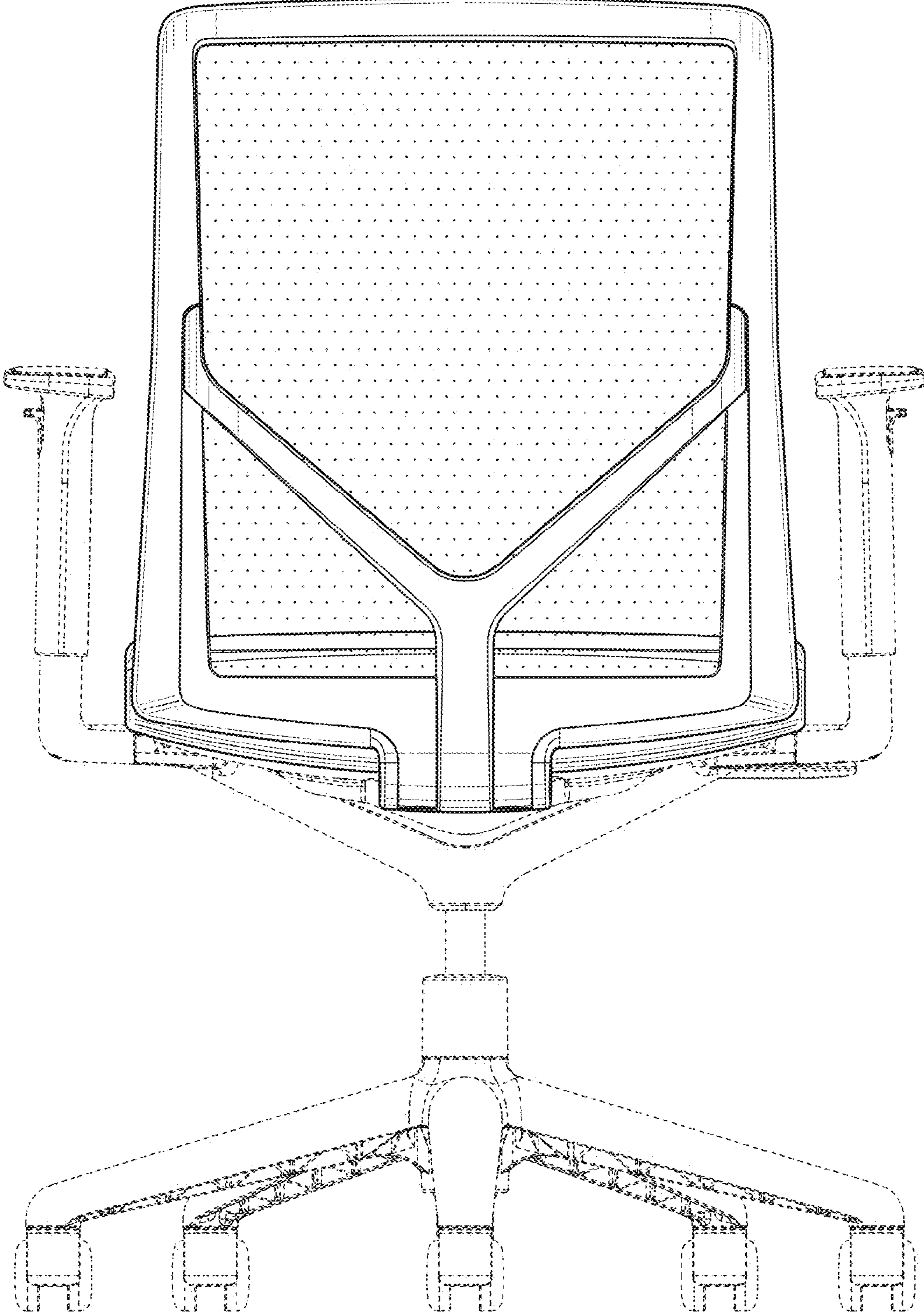


FIG. 3

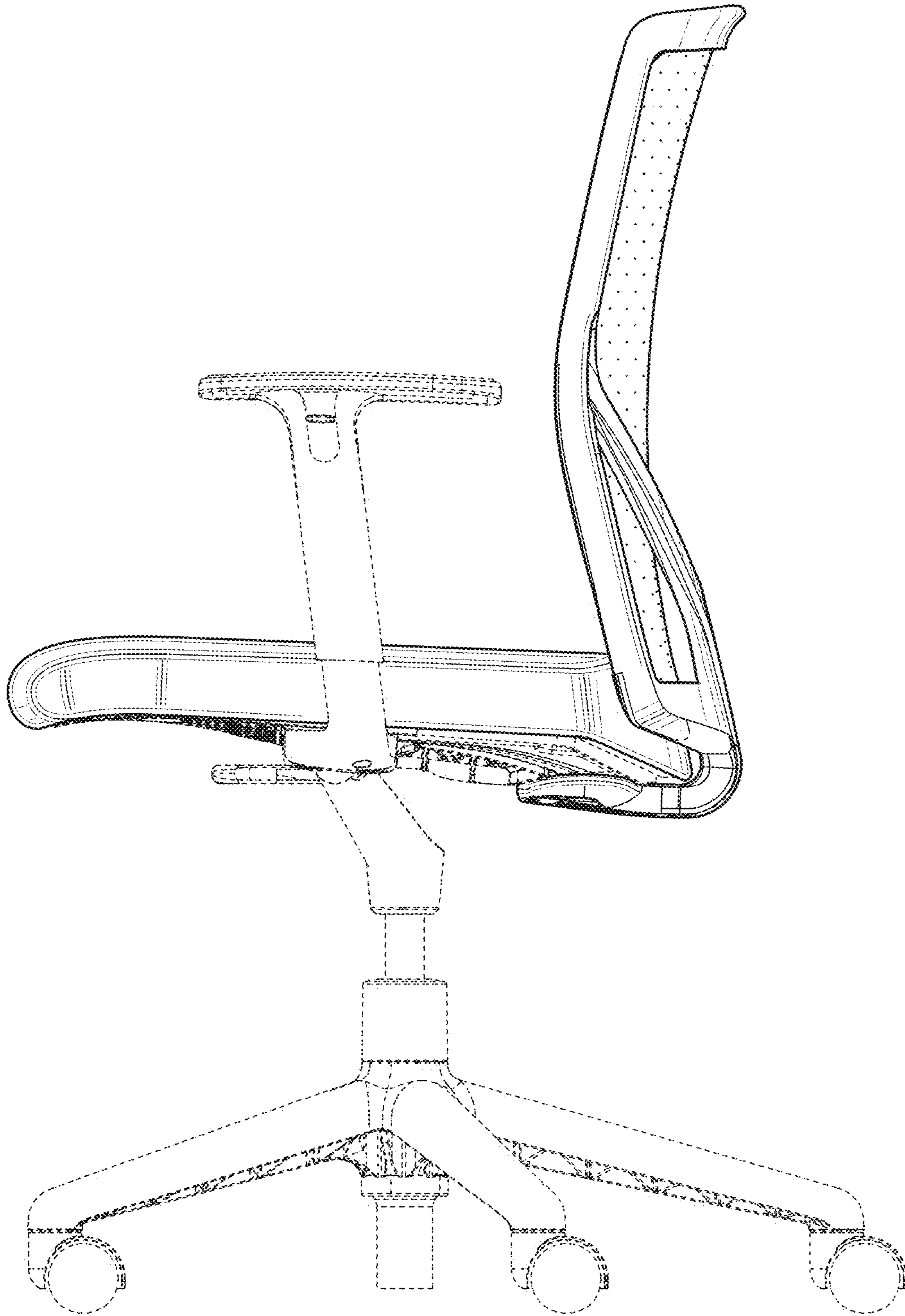


FIG. 4

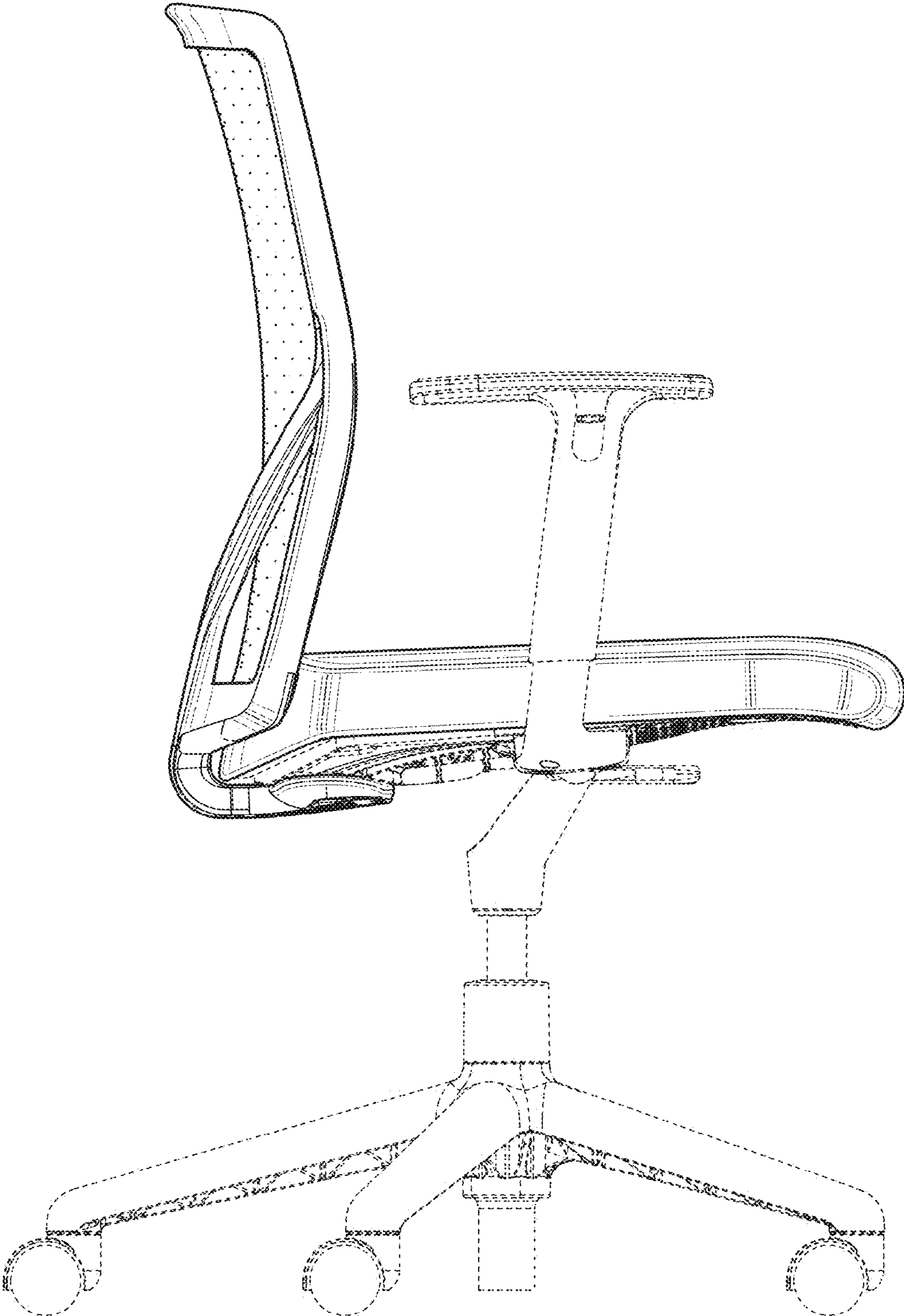


FIG. 5

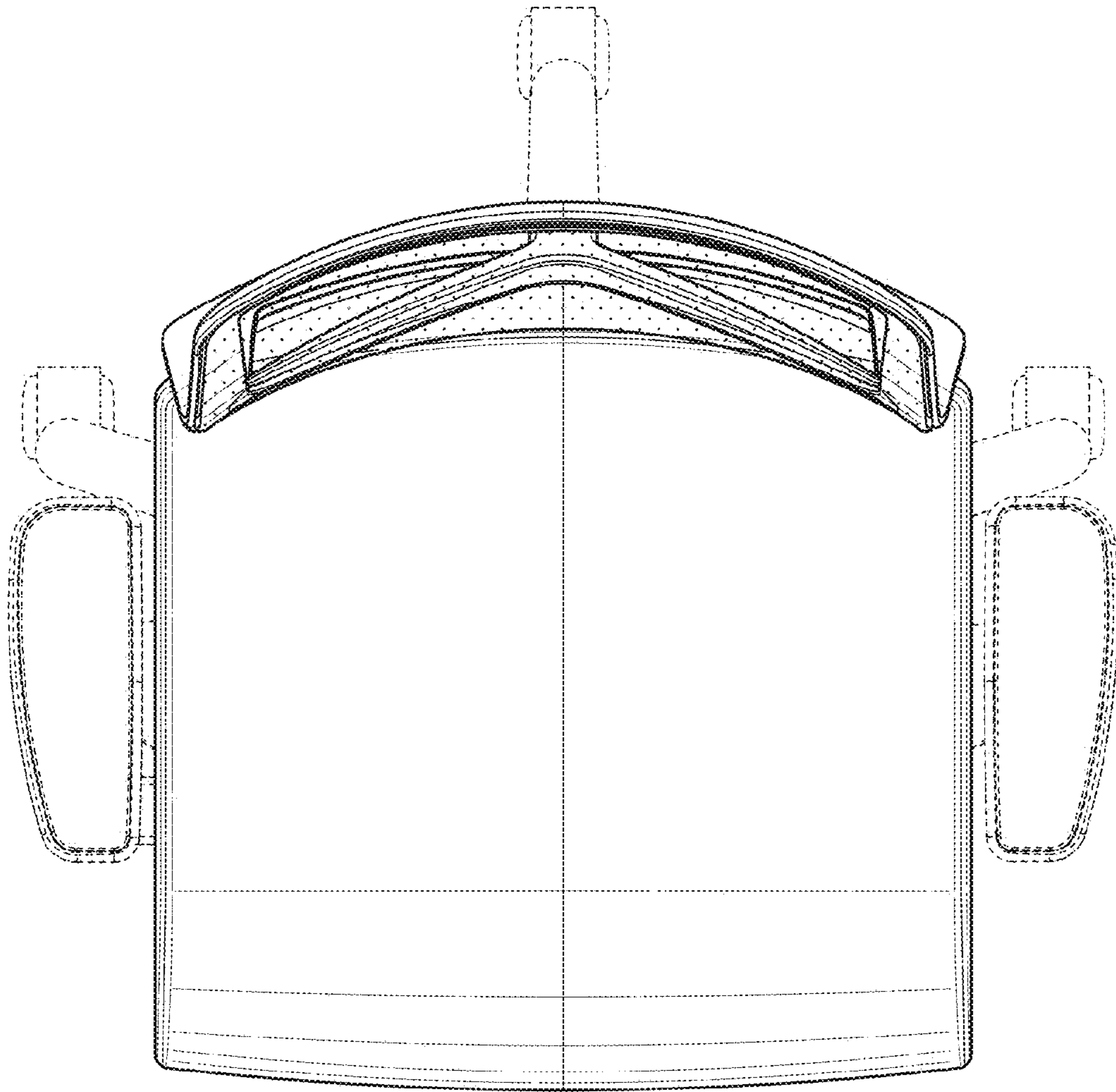


FIG. 6

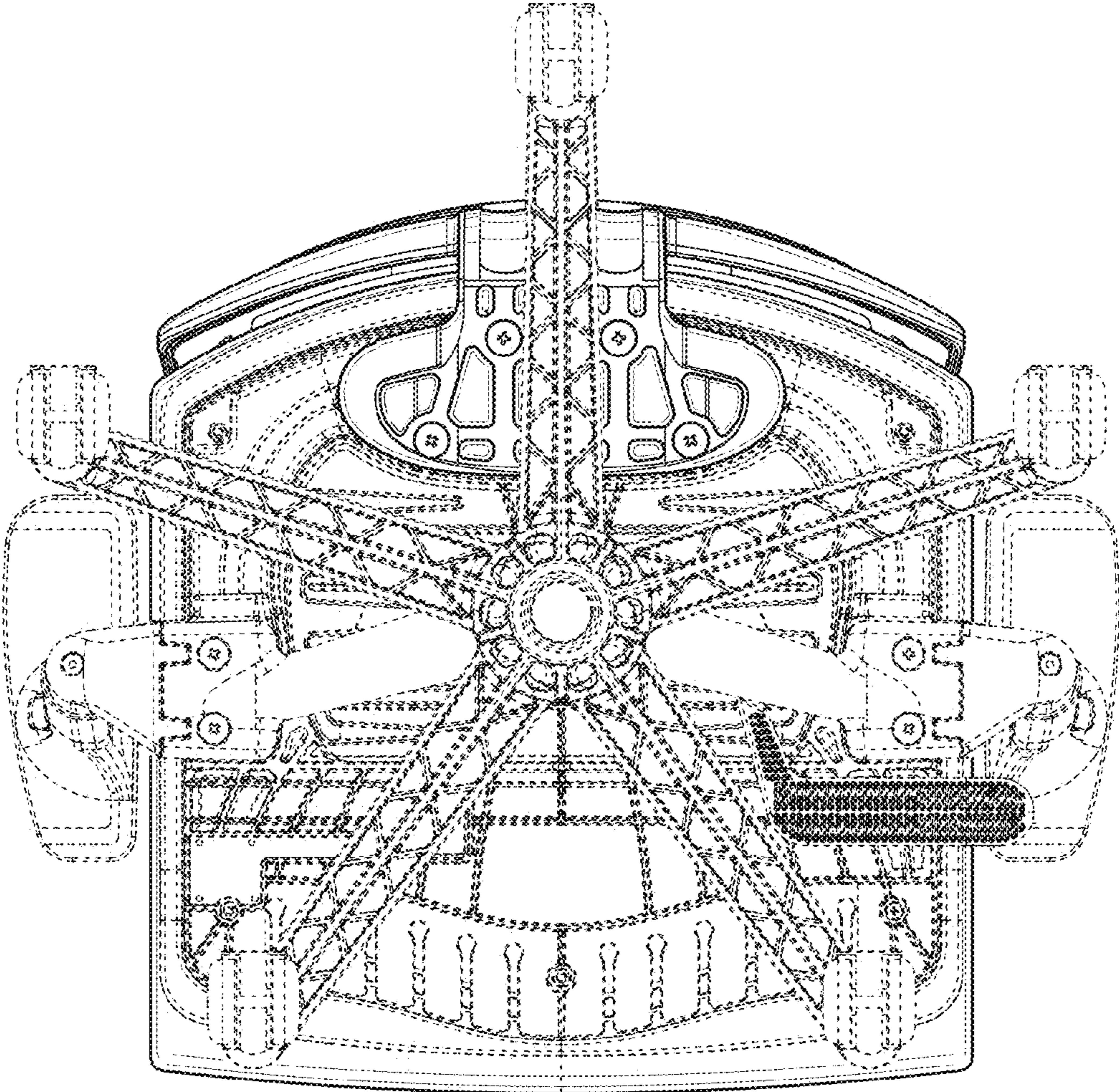


FIG. 7

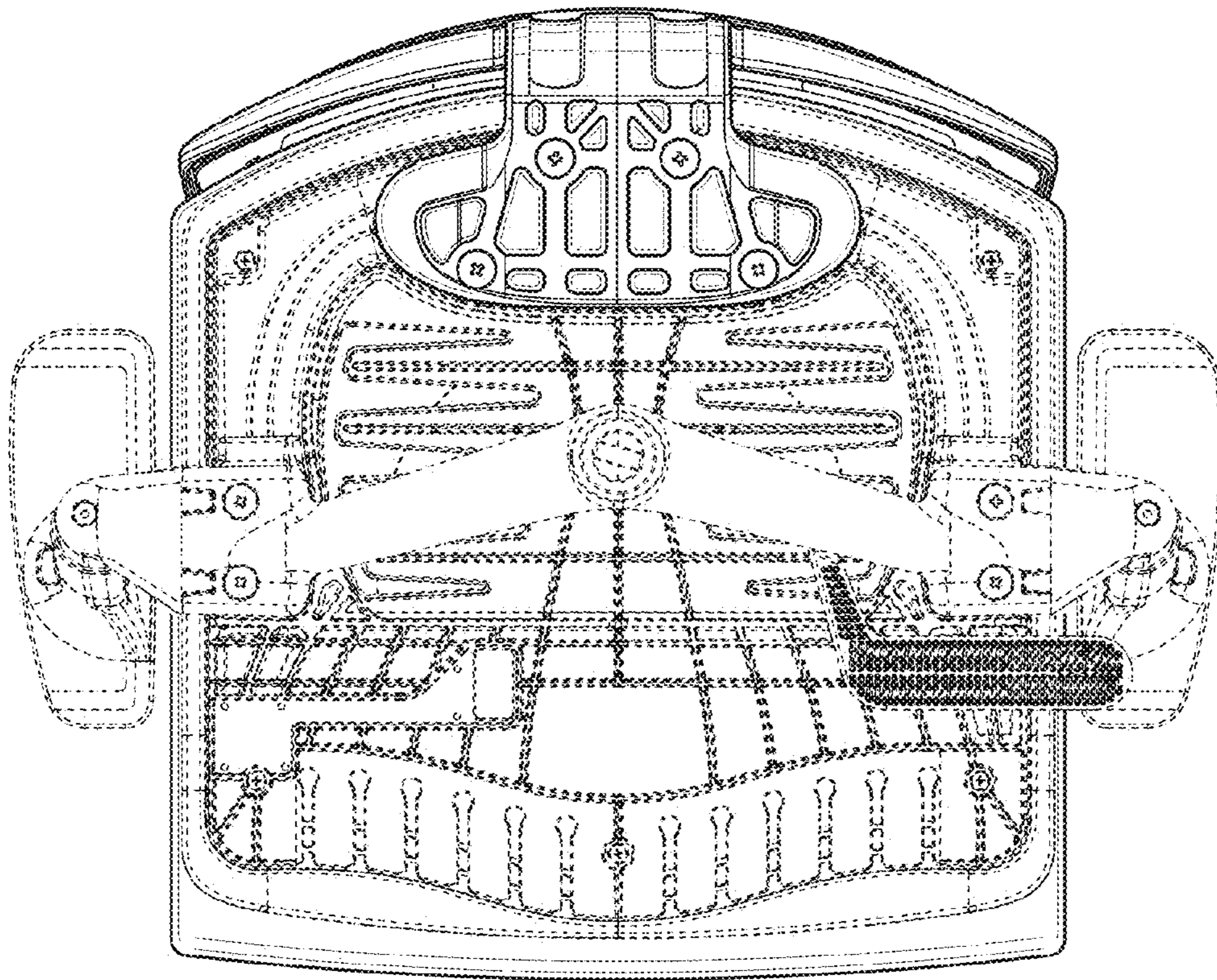


FIG. 8

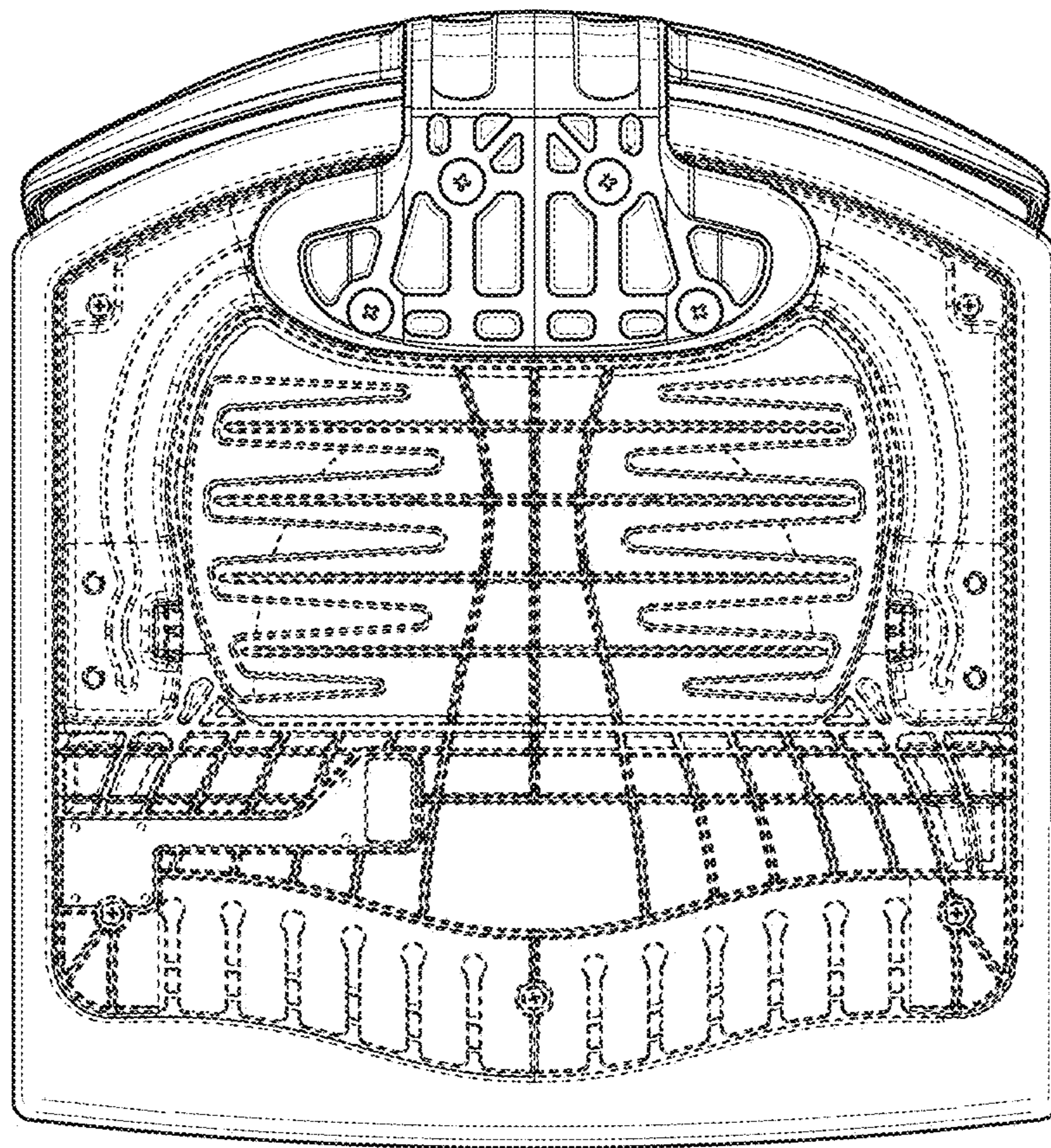


FIG. 9



FIG. 10

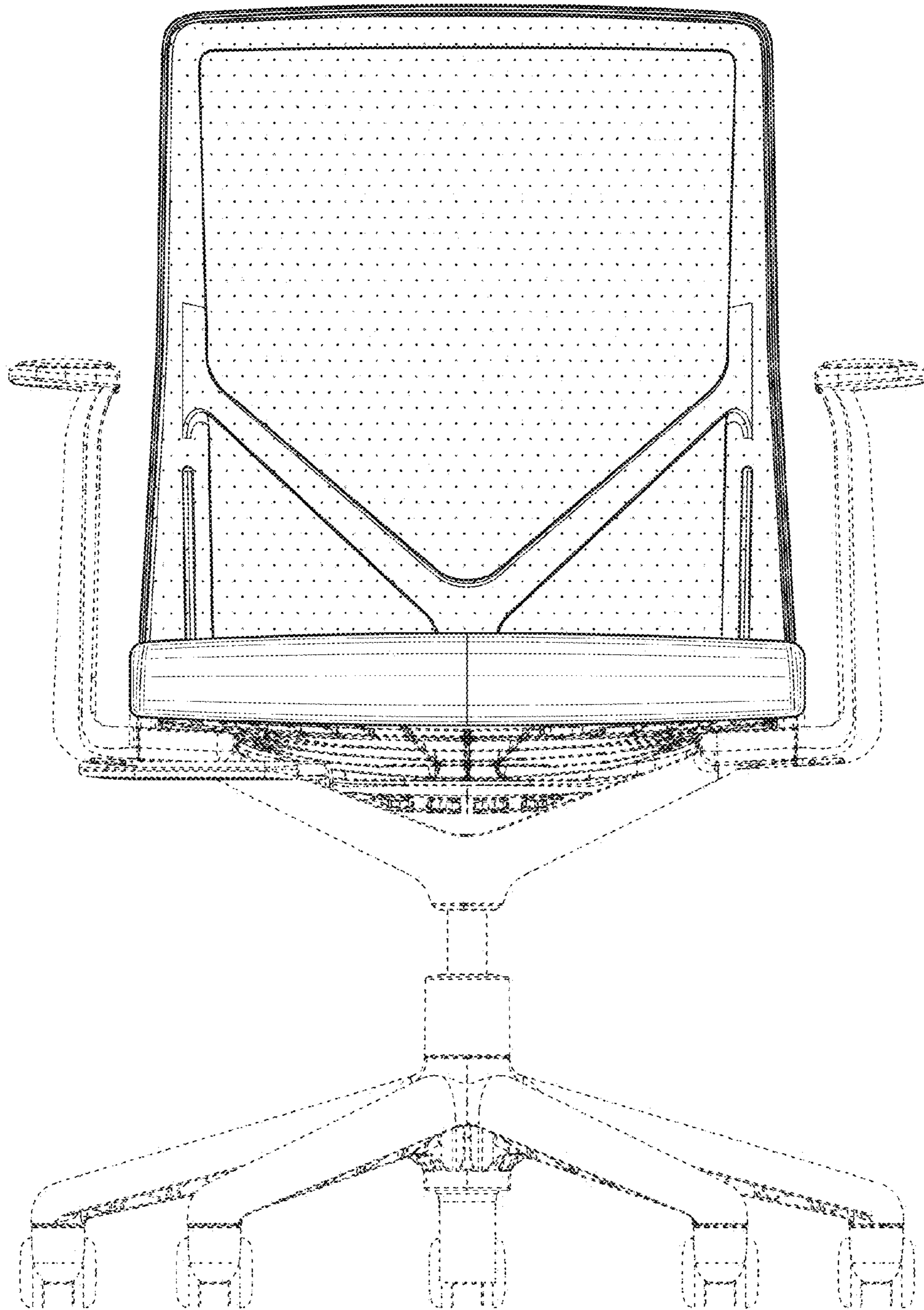


FIG. 11

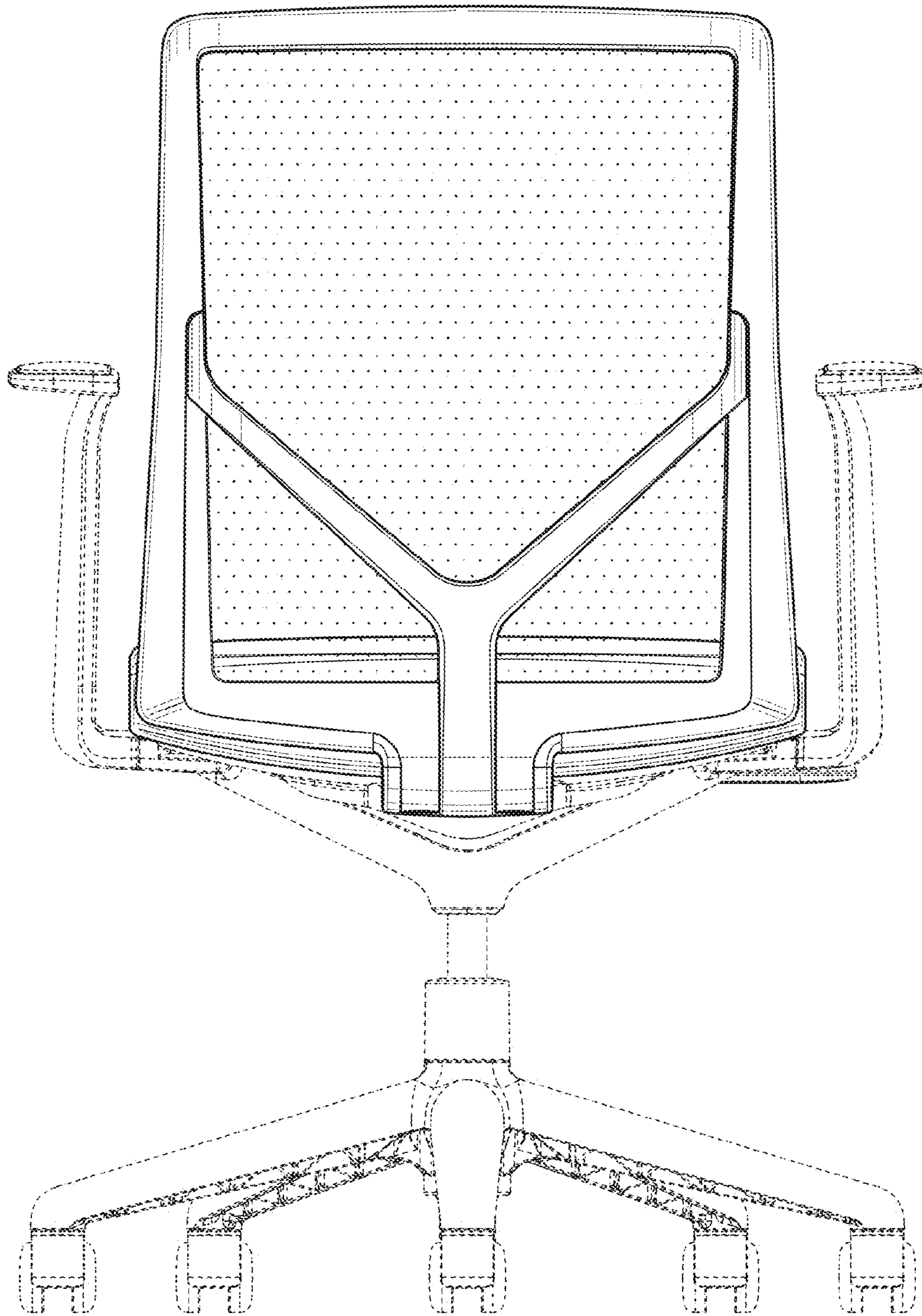


FIG. 12

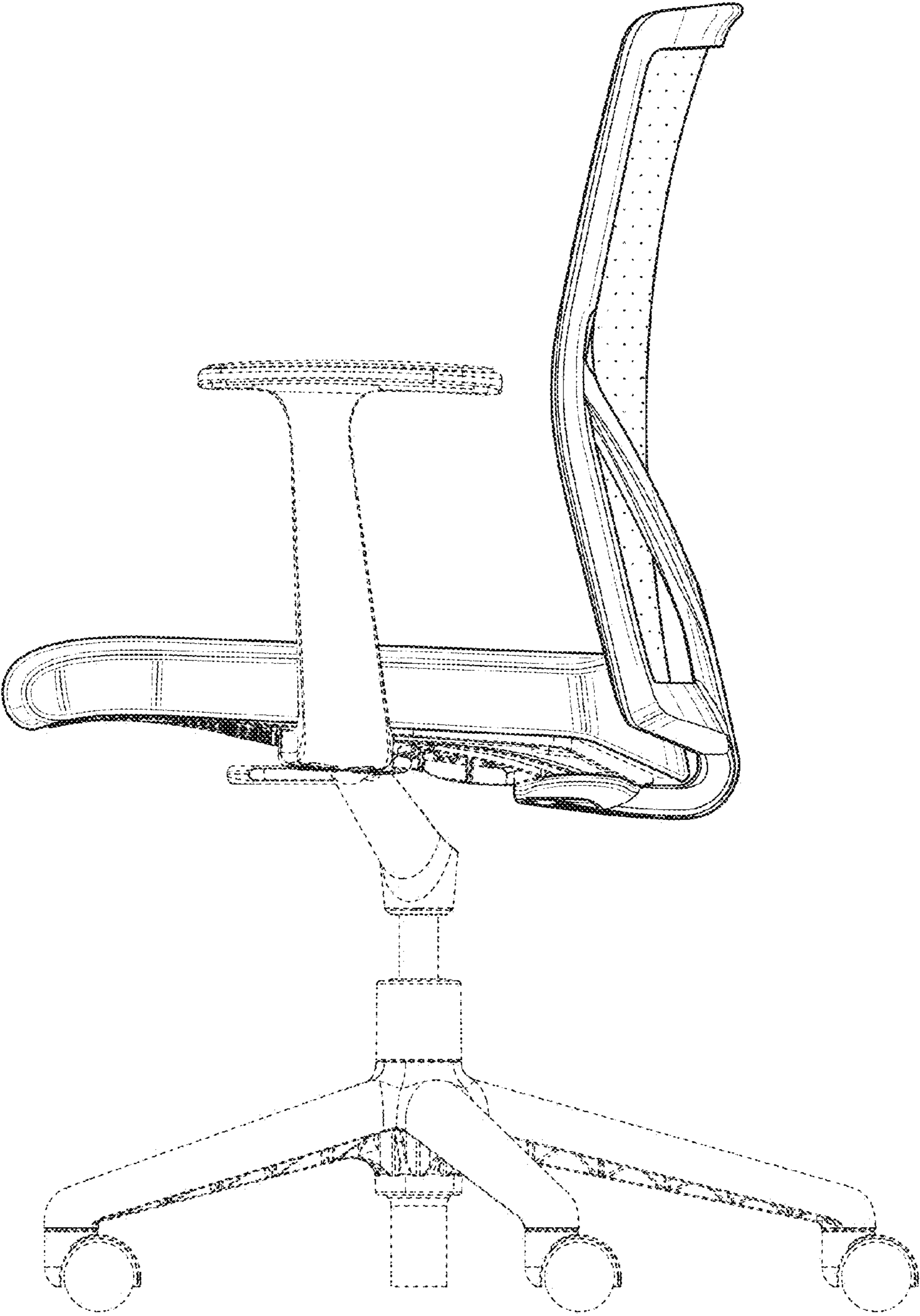


FIG. 13

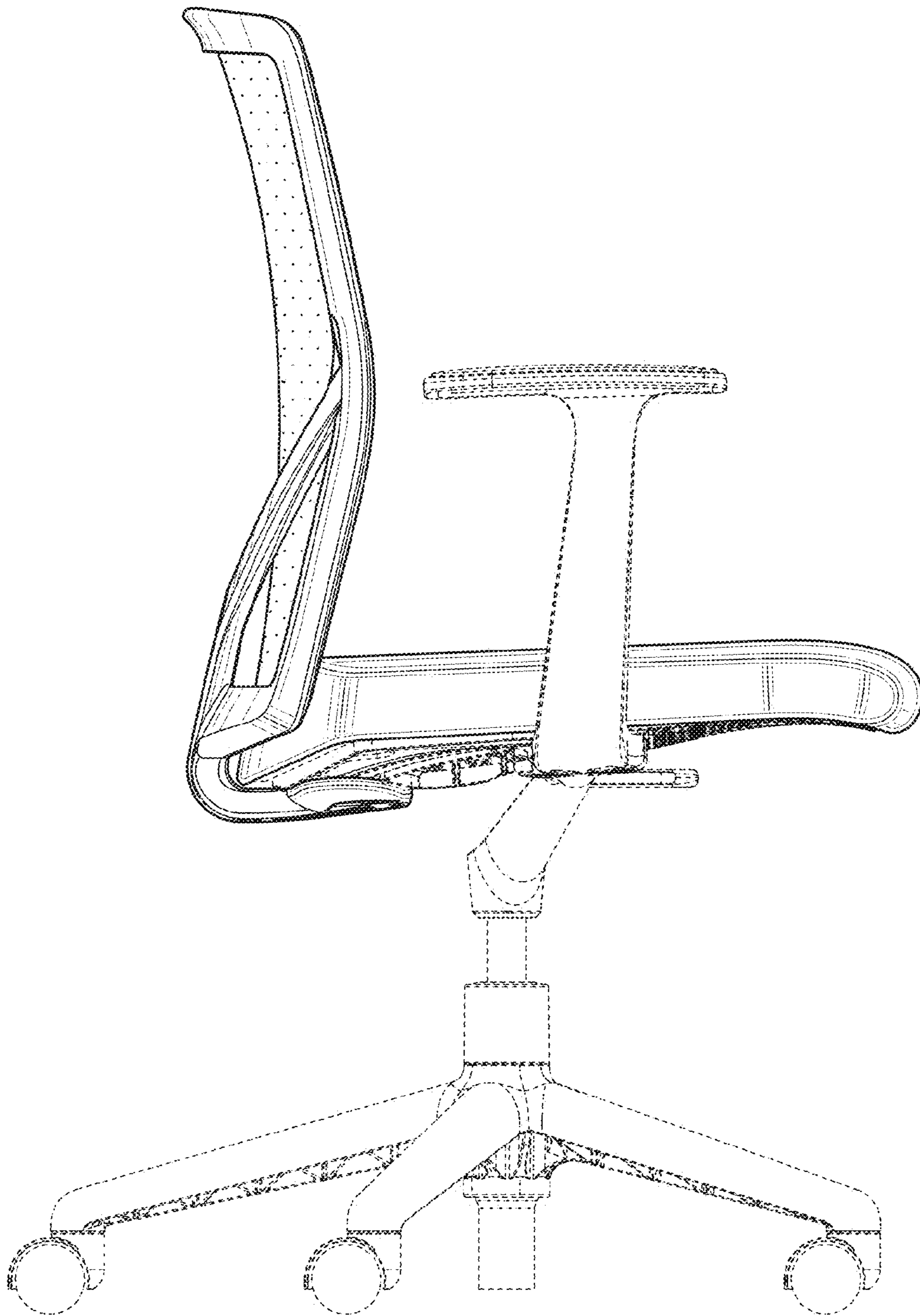


FIG. 14

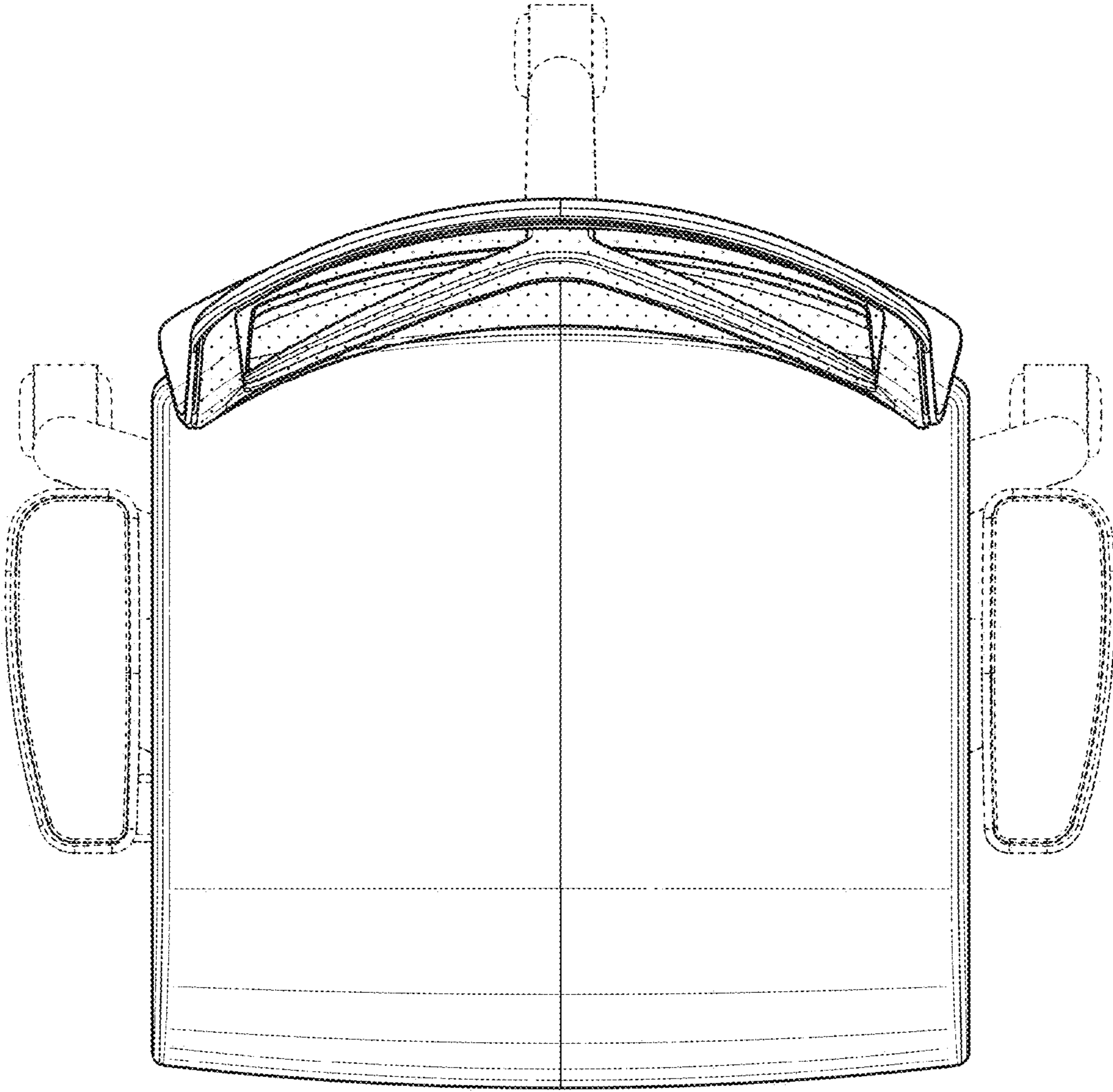


FIG. 15

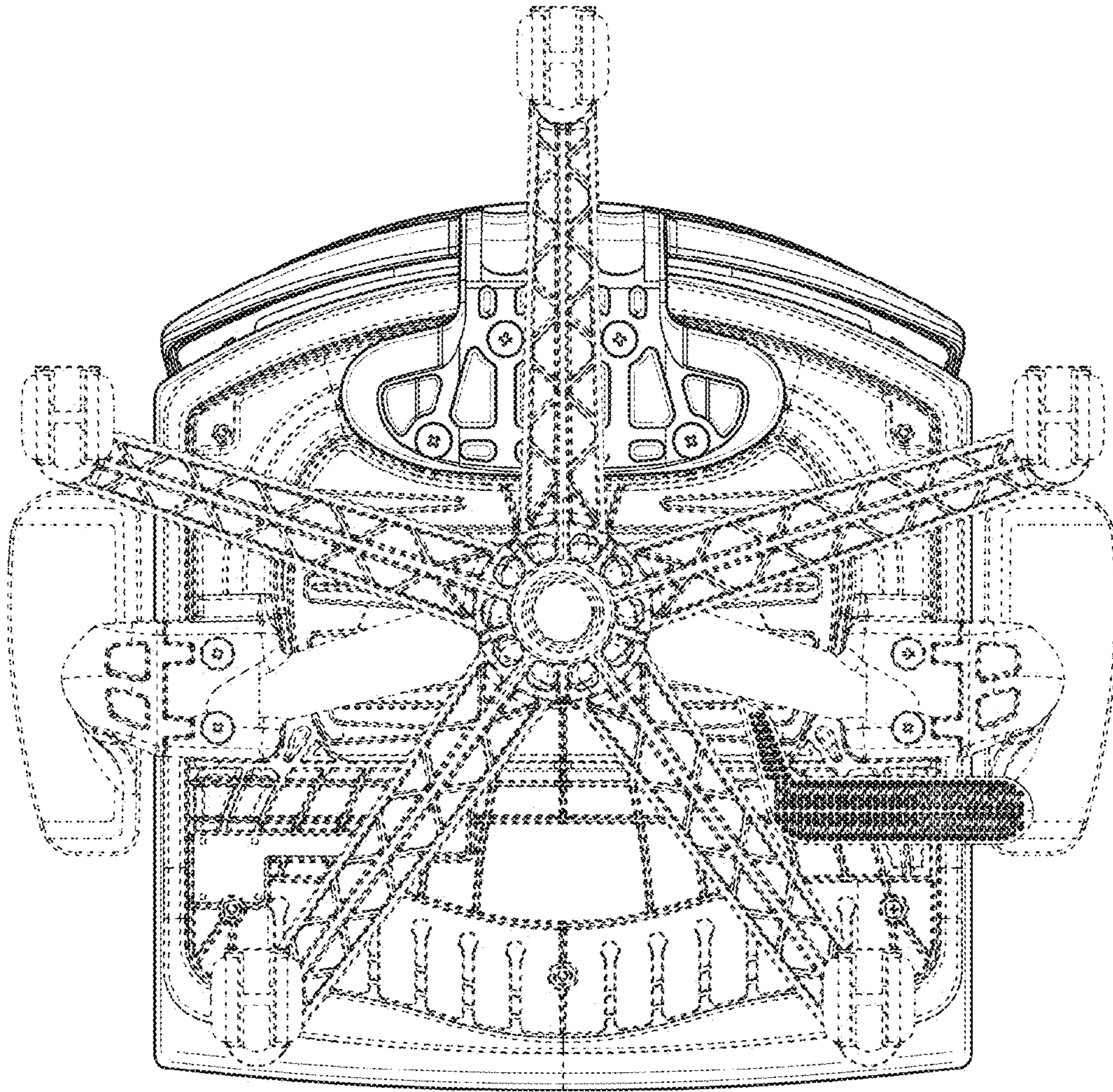


FIG. 16

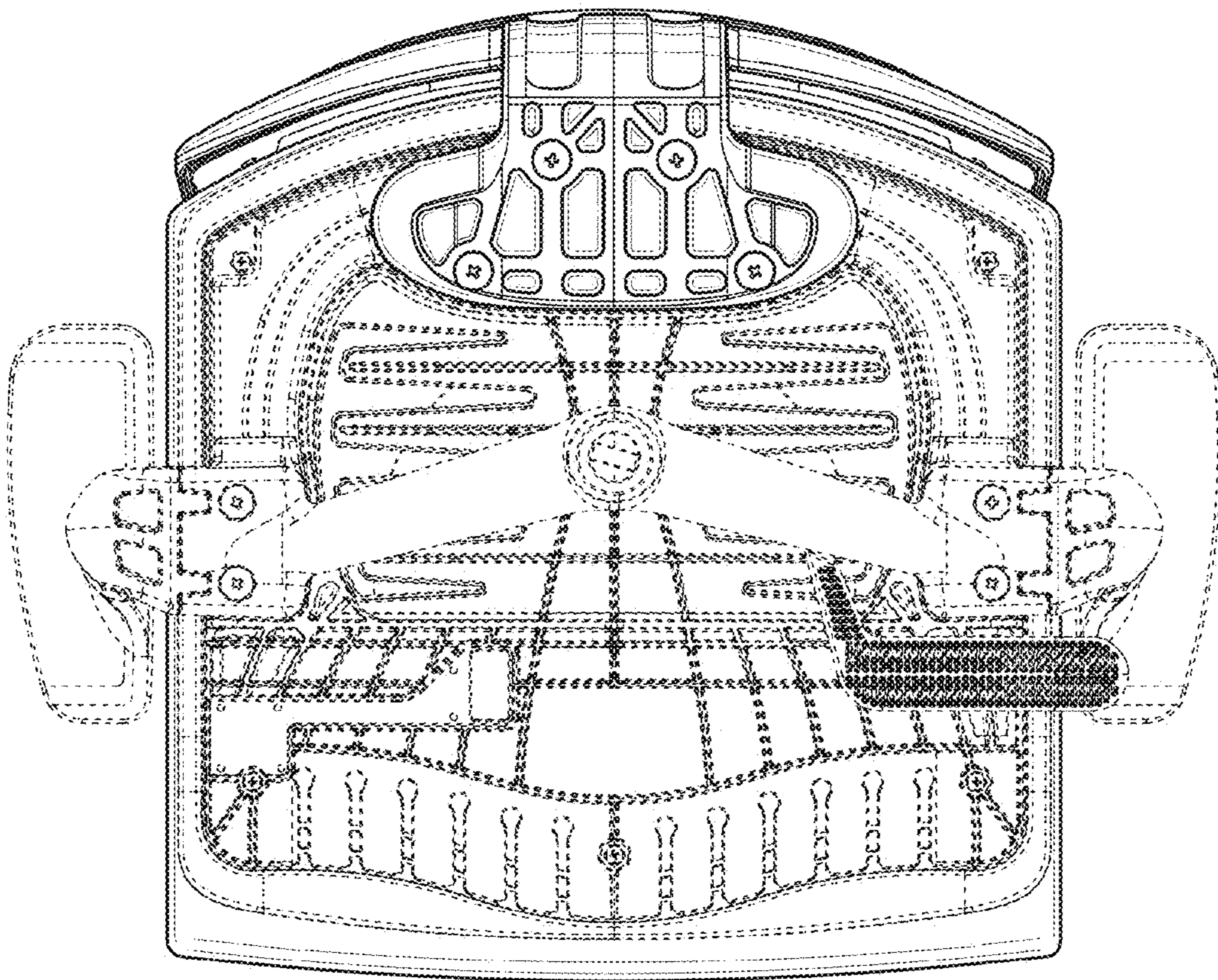


FIG. 17

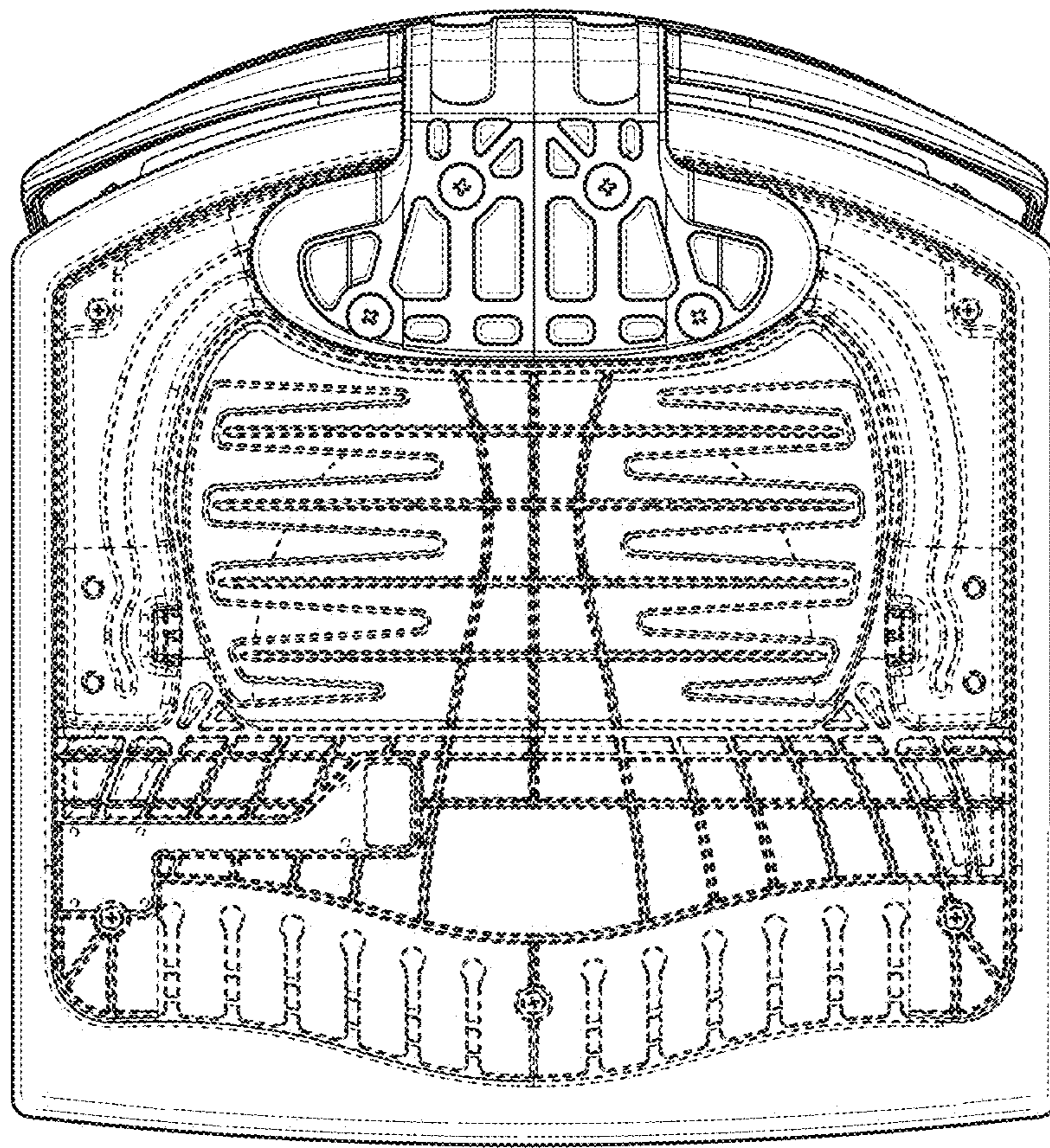


FIG. 18