



US00D745297S

(12) **United States Design Patent**
Ye

(10) **Patent No.:** **US D745,297 S**

(45) **Date of Patent:** **** Dec. 15, 2015**

(54) **TABLE**

(71) Applicant: **Starway International Home-Living Co., Ltd.**, Taizhou, Zhejiang (CN)

(72) Inventor: **Genlin Ye**, Zhejiang (CN)

(73) Assignee: **STARWAY INTERNATIONAL HOME-LIVING CO., LTD.**, Taizhou, Zhejiang (CN)

(**) Term: **14 Years**

(21) Appl. No.: **29/477,024**

(22) Filed: **Dec. 18, 2013**

(30) **Foreign Application Priority Data**

Jul. 4, 2013 (CN) 2013 3 0306760

(51) **LOC (10) Cl.** **06-06**

(52) **U.S. Cl.**
USPC **D6/692.3**

(58) **Field of Classification Search**
USPC D6/690, 692, 692.3, 692.6, 692.1, 691.4
CPC A47B 7/00; A47B 2021/11; A47B 13/00;
A47B 13/02; A47B 13/04
See application file for complete search history.

(56) **References Cited**

U.S. PATENT DOCUMENTS

D233,719 S * 11/1974 Everard D6/486
D323,263 S * 1/1992 Blackburn D6/486
D613,096 S * 4/2010 Stoepker et al. D6/486
D722,799 S * 2/2015 Urban et al. D6/692.4

* cited by examiner

Primary Examiner — Janice Seeger

(74) *Attorney, Agent, or Firm* — Han IP Corporation

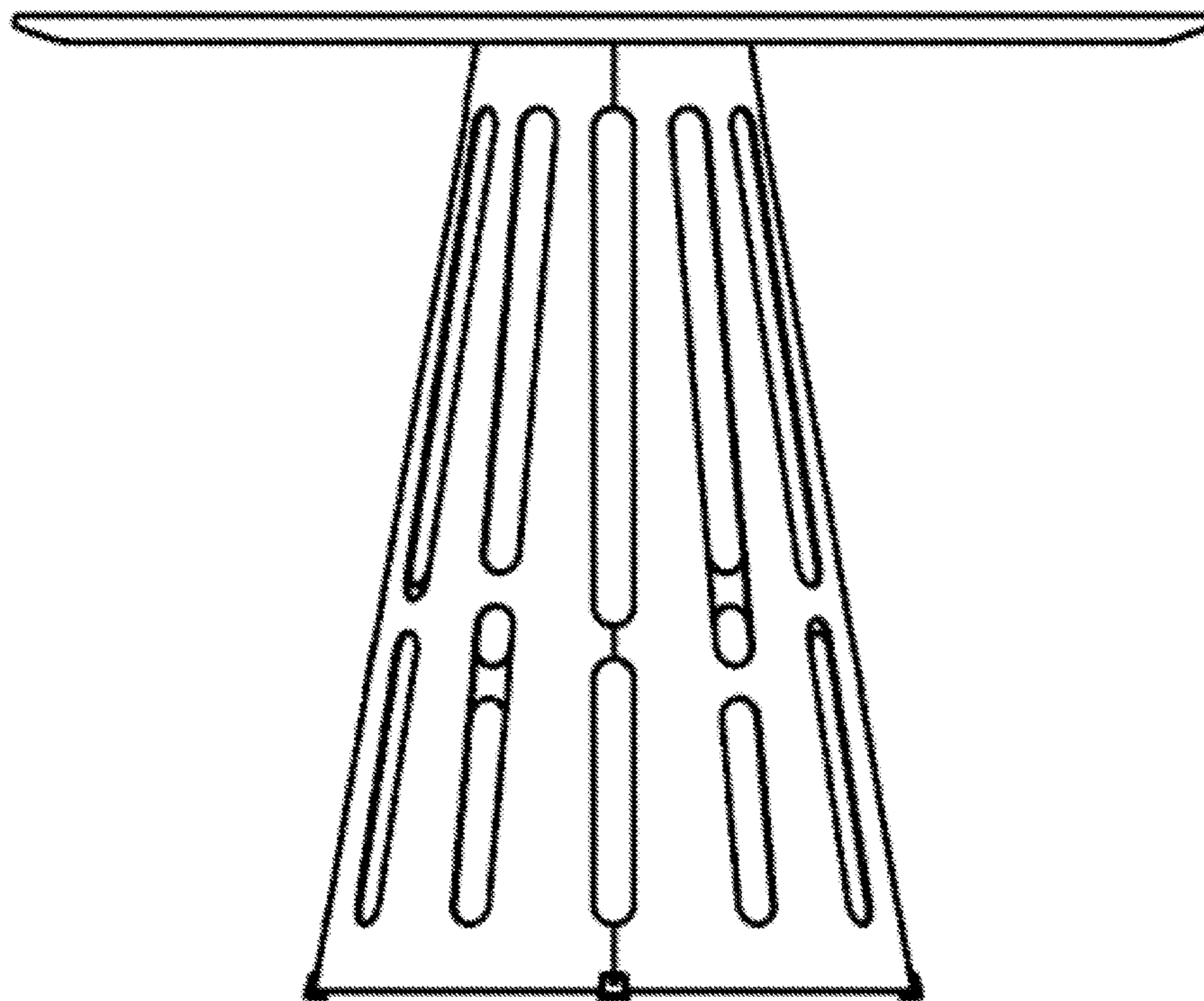
(57) **CLAIM**

The ornamental design for a table, as shown and described.

DESCRIPTION

FIG. 1 is a front view of a table incorporating a design in accordance with an embodiment of the present disclosure; FIG. 2 is a back view thereof; FIG. 3 is a left side view thereof; FIG. 4 is a right side view thereof; FIG. 5 is a top plan view thereof; and, FIG. 6 is a perspective view thereof. The bottom of the table not shown forms no part of the claimed design.

1 Claim, 6 Drawing Sheets



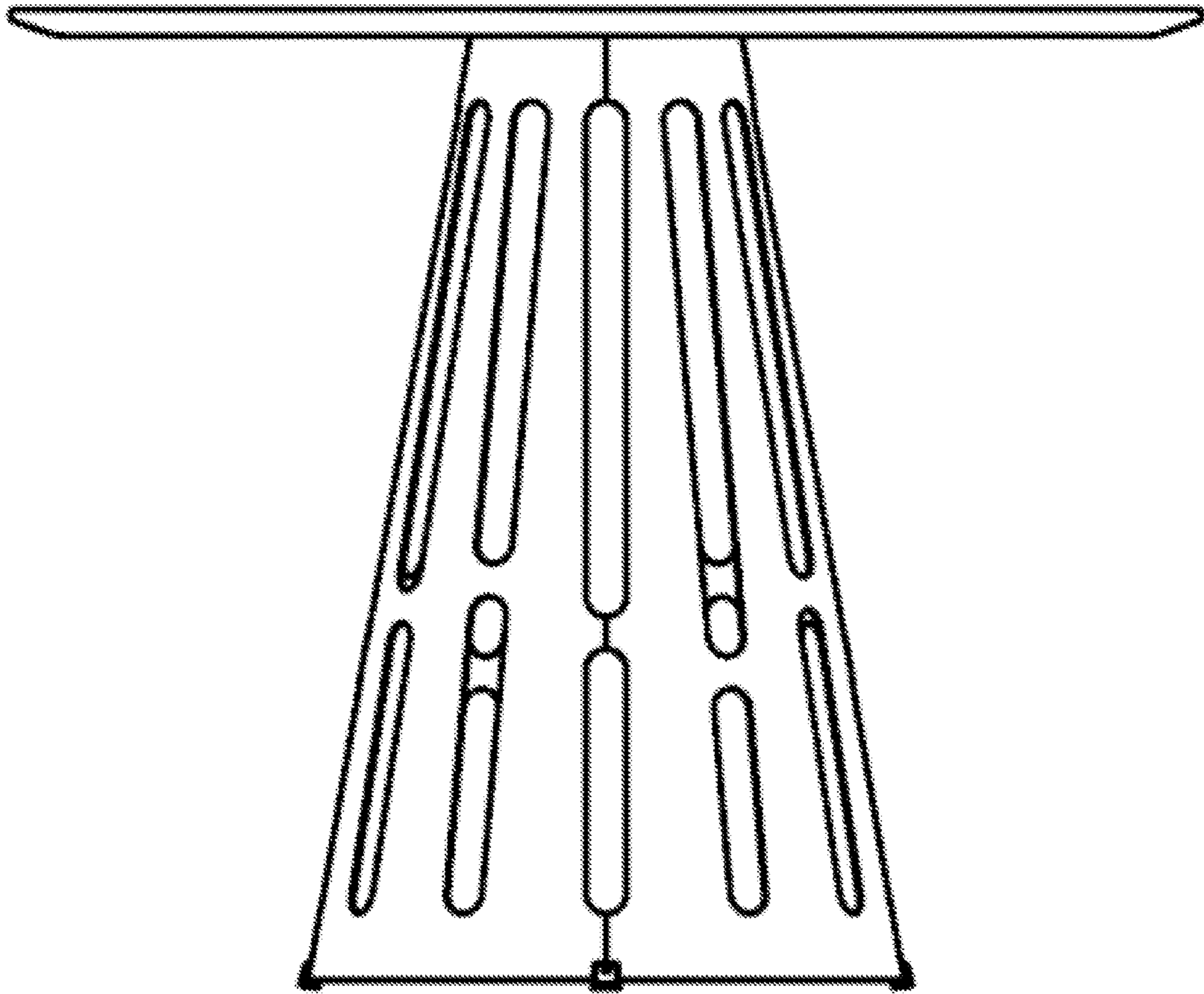


FIG. 1

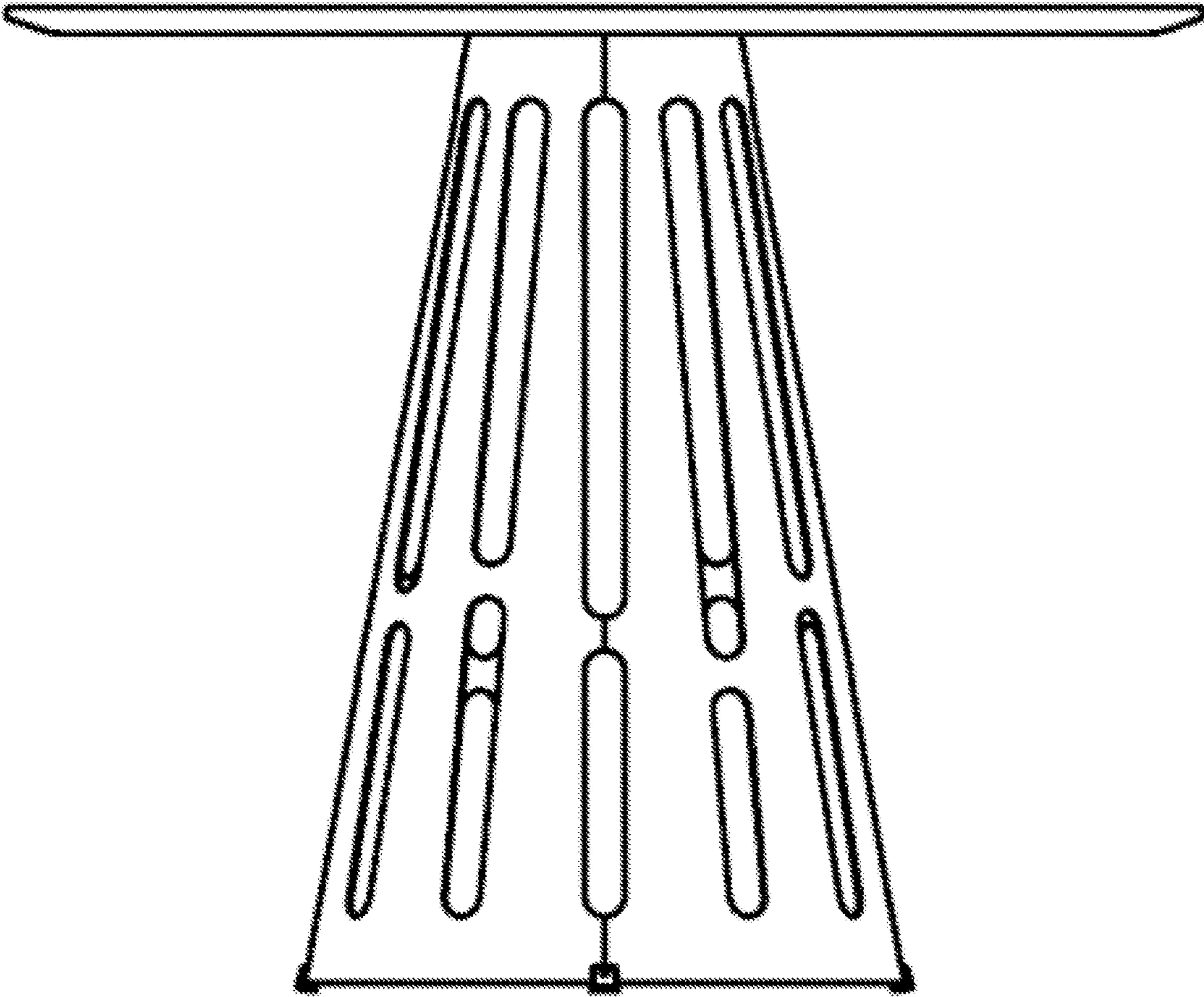


FIG. 2

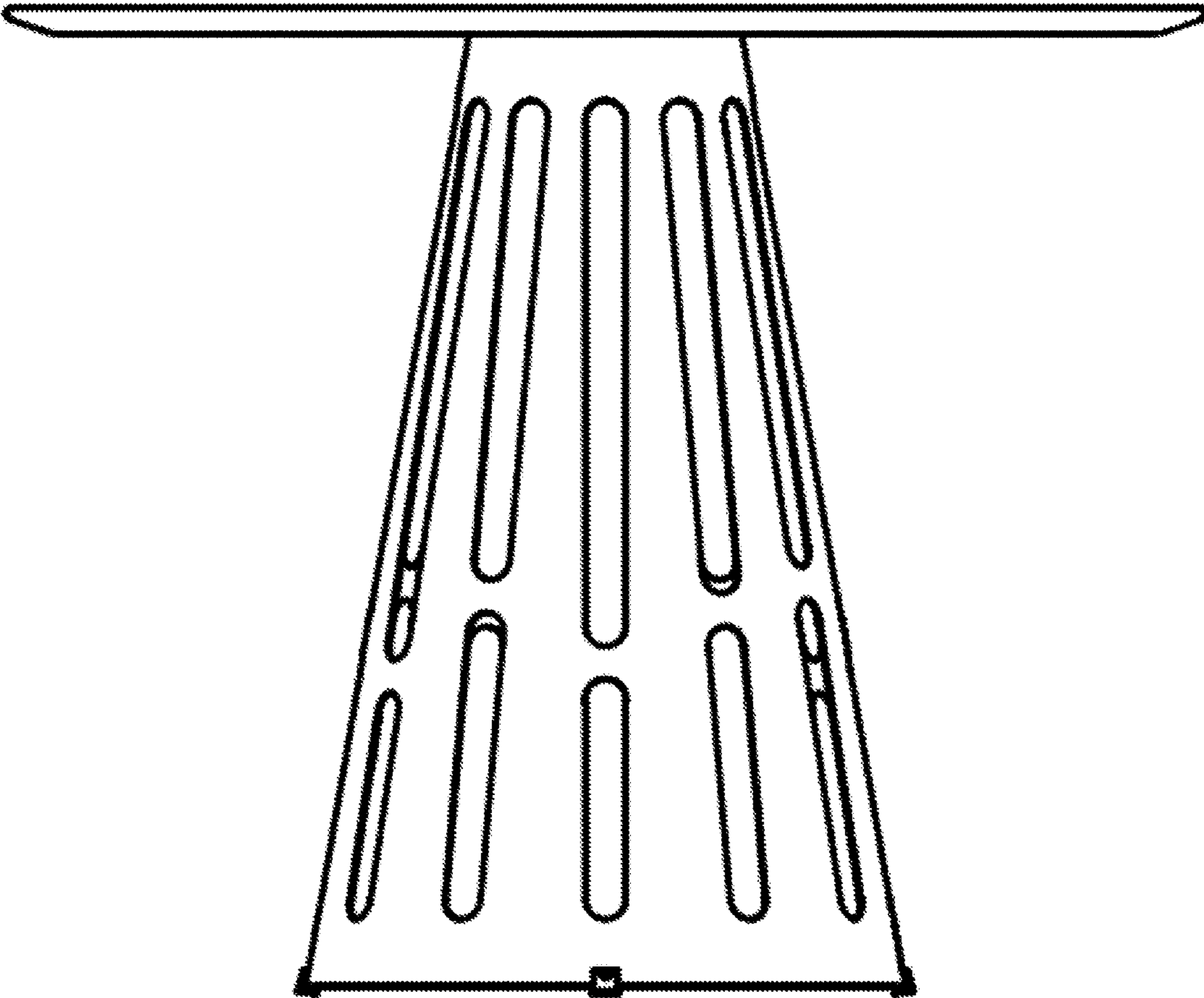


FIG. 3

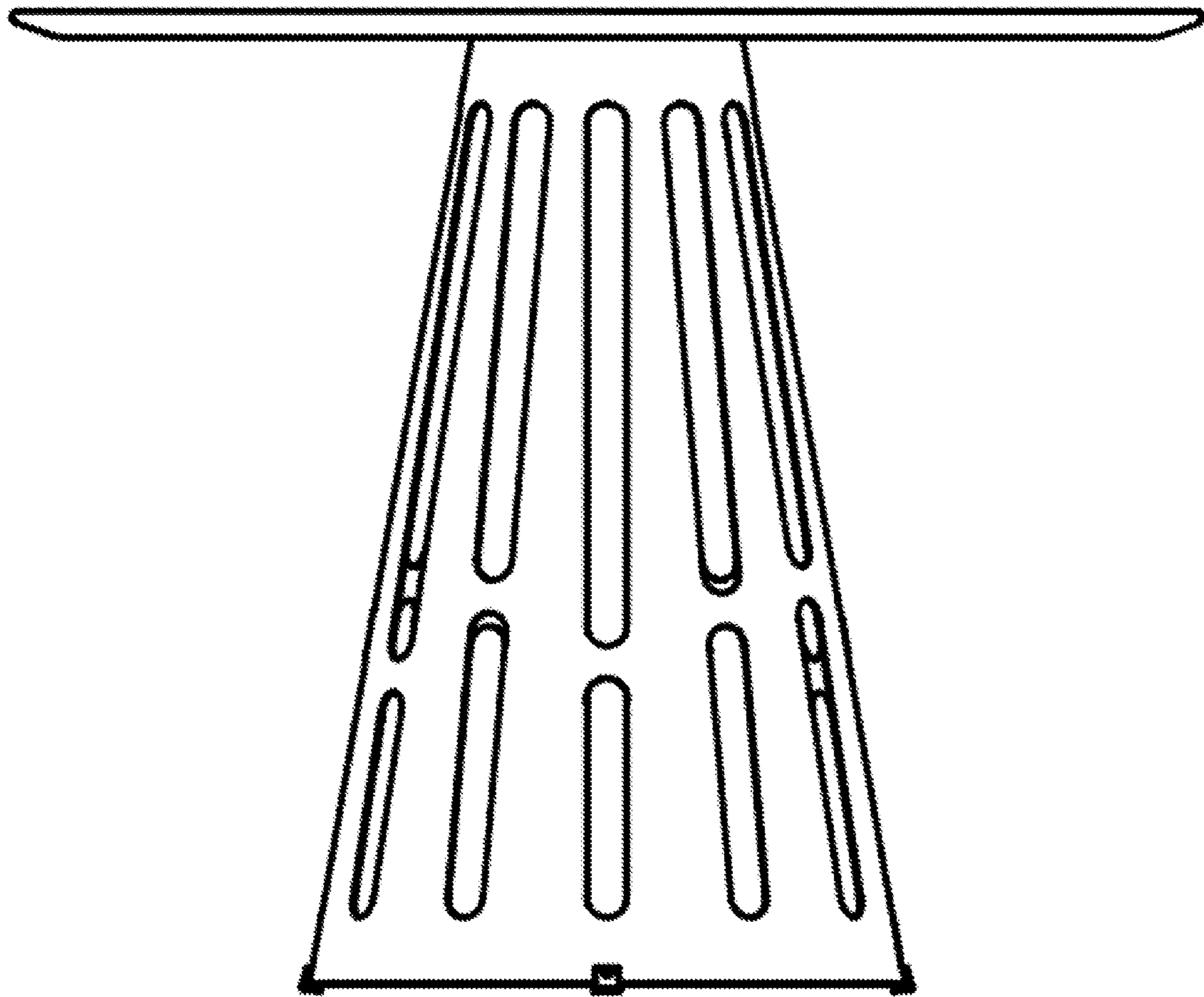


FIG. 4

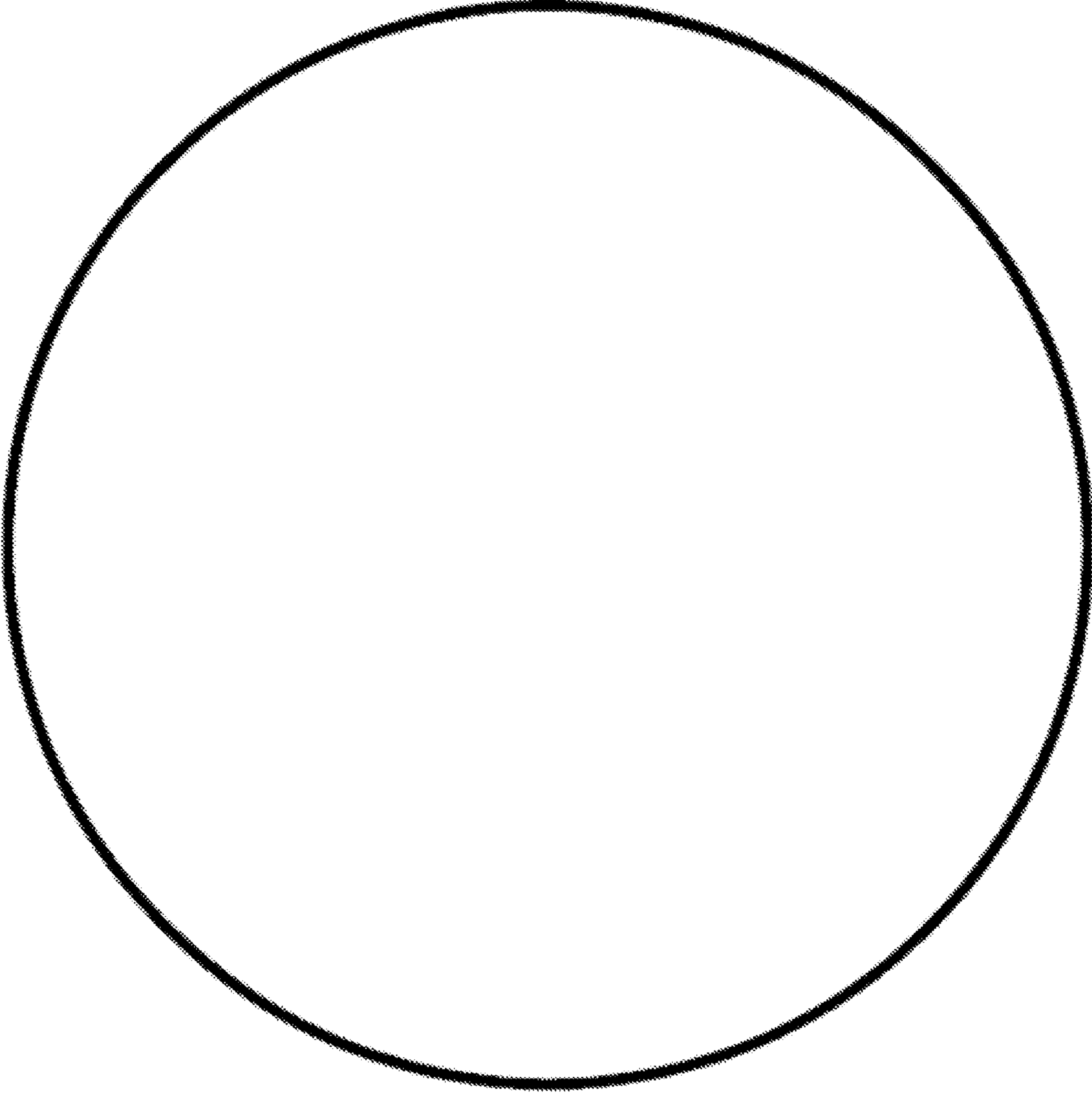


FIG. 5

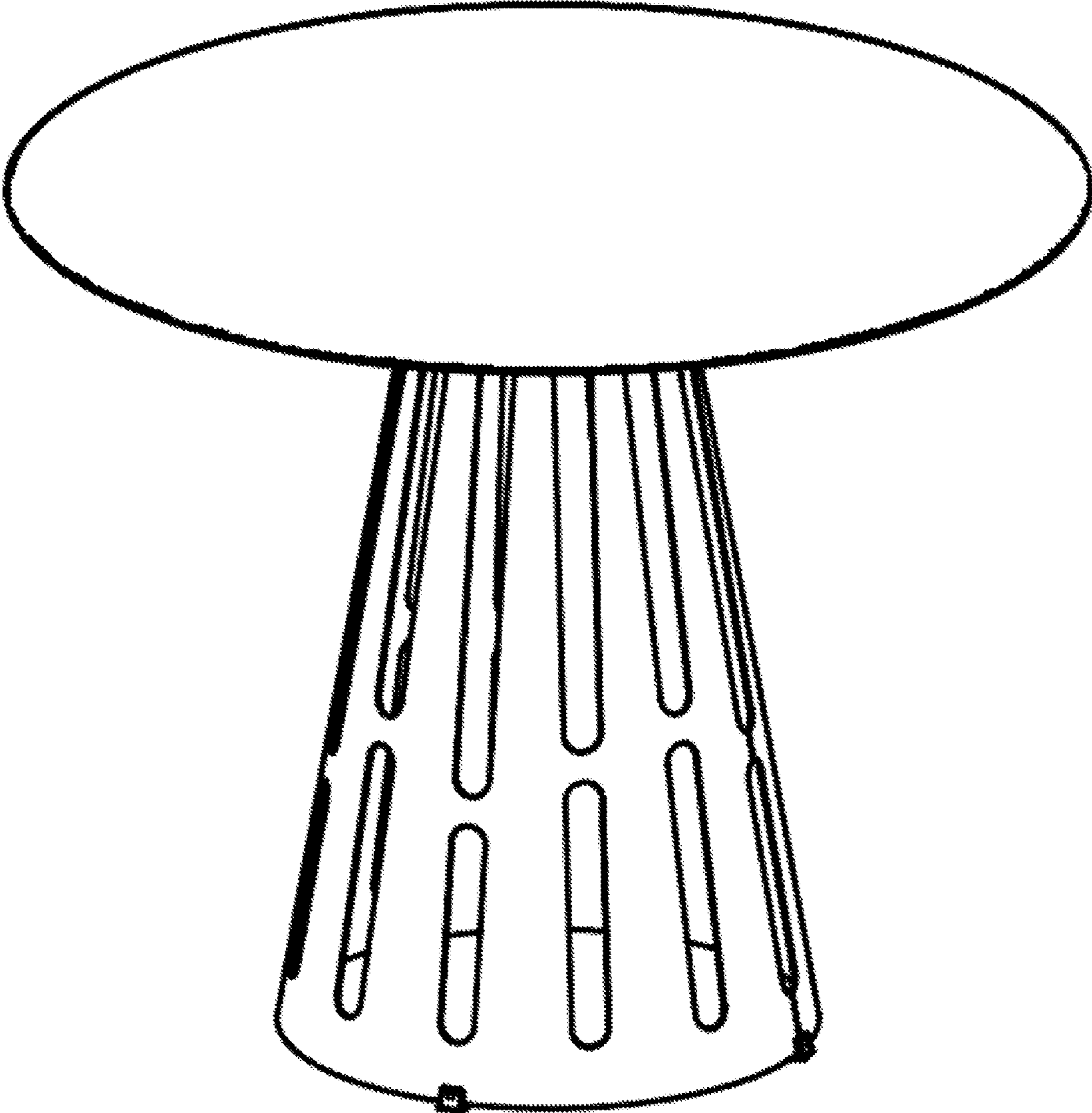


FIG. 6