



US00D745294S

(12) **United States Design Patent**
Murray et al.

(10) **Patent No.:** **US D745,294 S**
(45) **Date of Patent:** **** Dec. 15, 2015**

(54) **DESK**

(71) Applicant: **Neuehouse LLC**, New York, NY (US)

(72) Inventors: **Alan Murray**, New York, NY (US);
Cristina Azario, New York, NY (US);
Nicholas Thatos, Manhasset, NY (US);
Michael Siporin, New York, NY (US);
David Rockwell, New York, NY (US)

(**) Term: **14 Years**

(21) Appl. No.: **29/489,500**

(22) Filed: **Apr. 30, 2014**

(51) **LOC (10) Cl.** **06-03**

(52) **U.S. Cl.**
USPC **D6/644**; D6/654; D6/662

(58) **Field of Classification Search**
USPC D6/644, 656, 651.1, 662
CPC A47B 21/00; A47B 17/00; A47B 17/003;
A47B 17/006; A47B 57/00; A47B 83/001;
A47B 2037/005

See application file for complete search history.

(56) **References Cited**

U.S. PATENT DOCUMENTS

D188,116	S	*	6/1960	Roshm	D6/439
D210,606	S	*	3/1968	Hamilton et al.	D6/484
5,544,593	A	*	8/1996	Canfield et al.	108/110
D596,876	S	*	7/2009	Oshinomi et al.	D6/644
D719,379	S	*	12/2014	Tsuchiyama	D6/656
2014/0261100	A1	*	9/2014	Henriott et al.	108/50.02

* cited by examiner

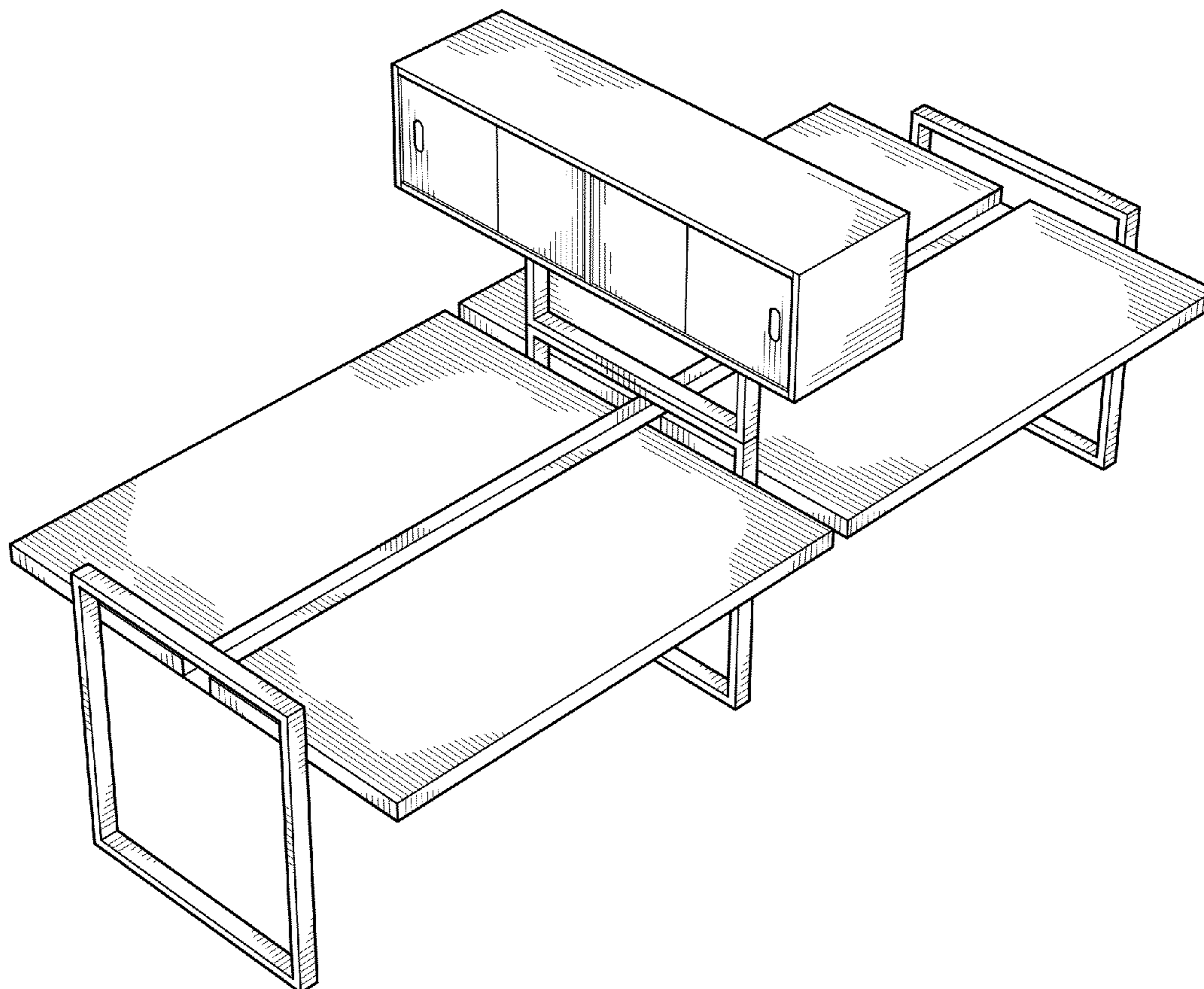
Primary Examiner — Janice Seeger
(74) *Attorney, Agent, or Firm* — Brad M. Behar & Associates, PLLC

(57) **CLAIM**
The ornamental design for a desk, as shown and described.

DESCRIPTION

FIG. 1 is a perspective view of a desk, showing our new design;
FIG. 2 is a front view thereof;
FIG. 3 is a left side view thereof;
FIG. 4 is a rear view thereof;
FIG. 5 is a right side view thereof;
FIG. 6 is a top view thereof; and,
FIG. 7 is a bottom view thereof.

1 Claim, 4 Drawing Sheets



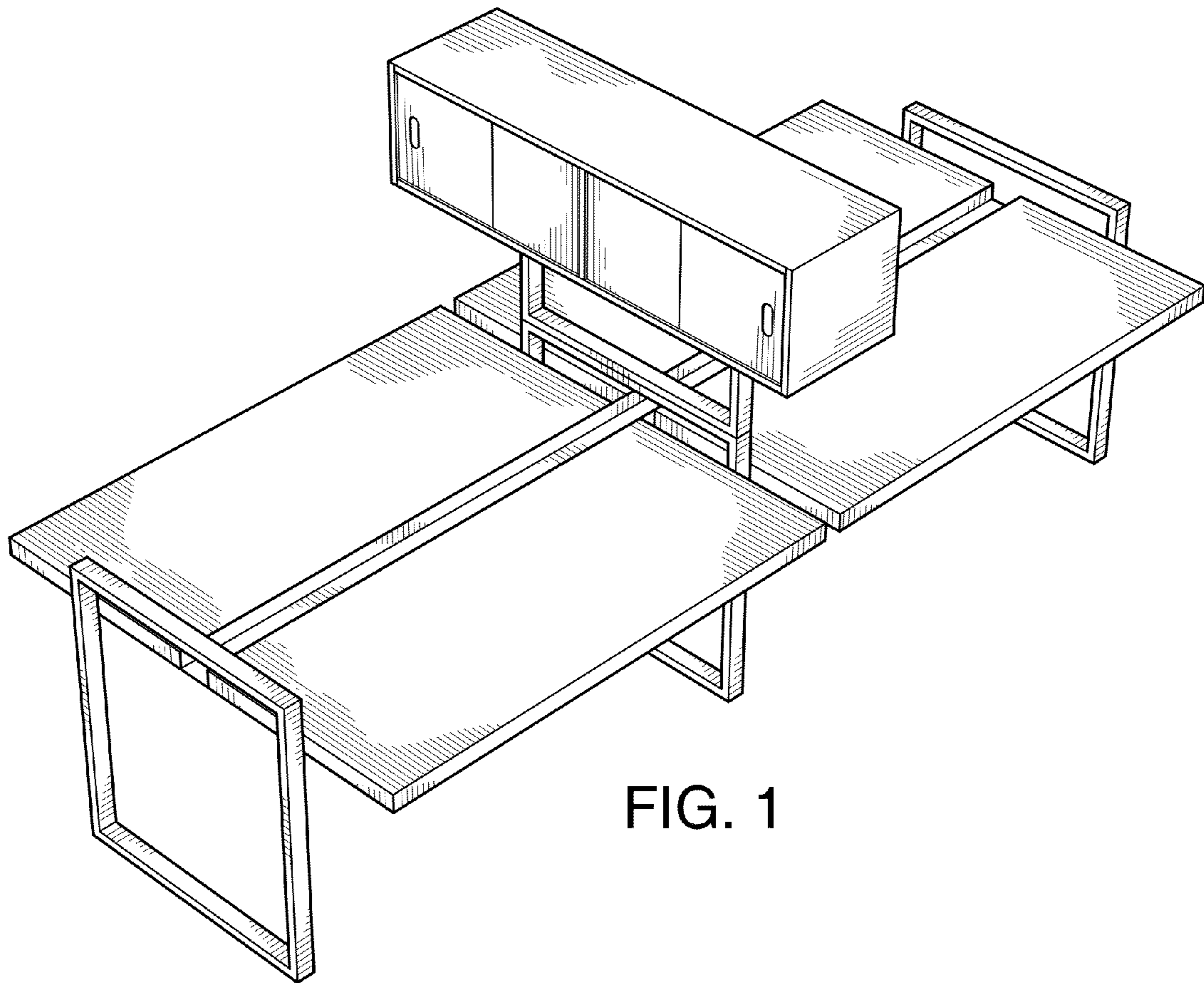


FIG. 1

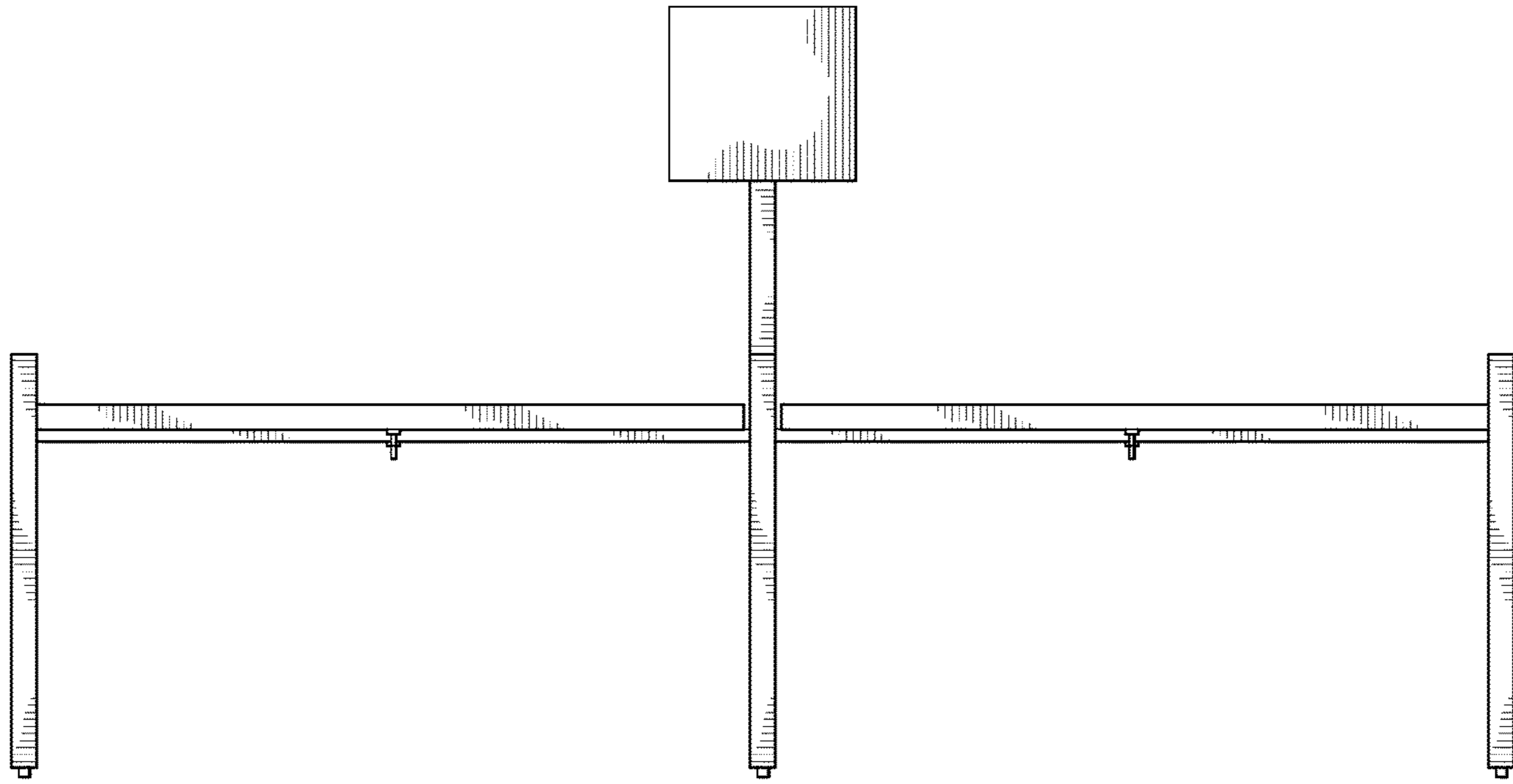


FIG. 2

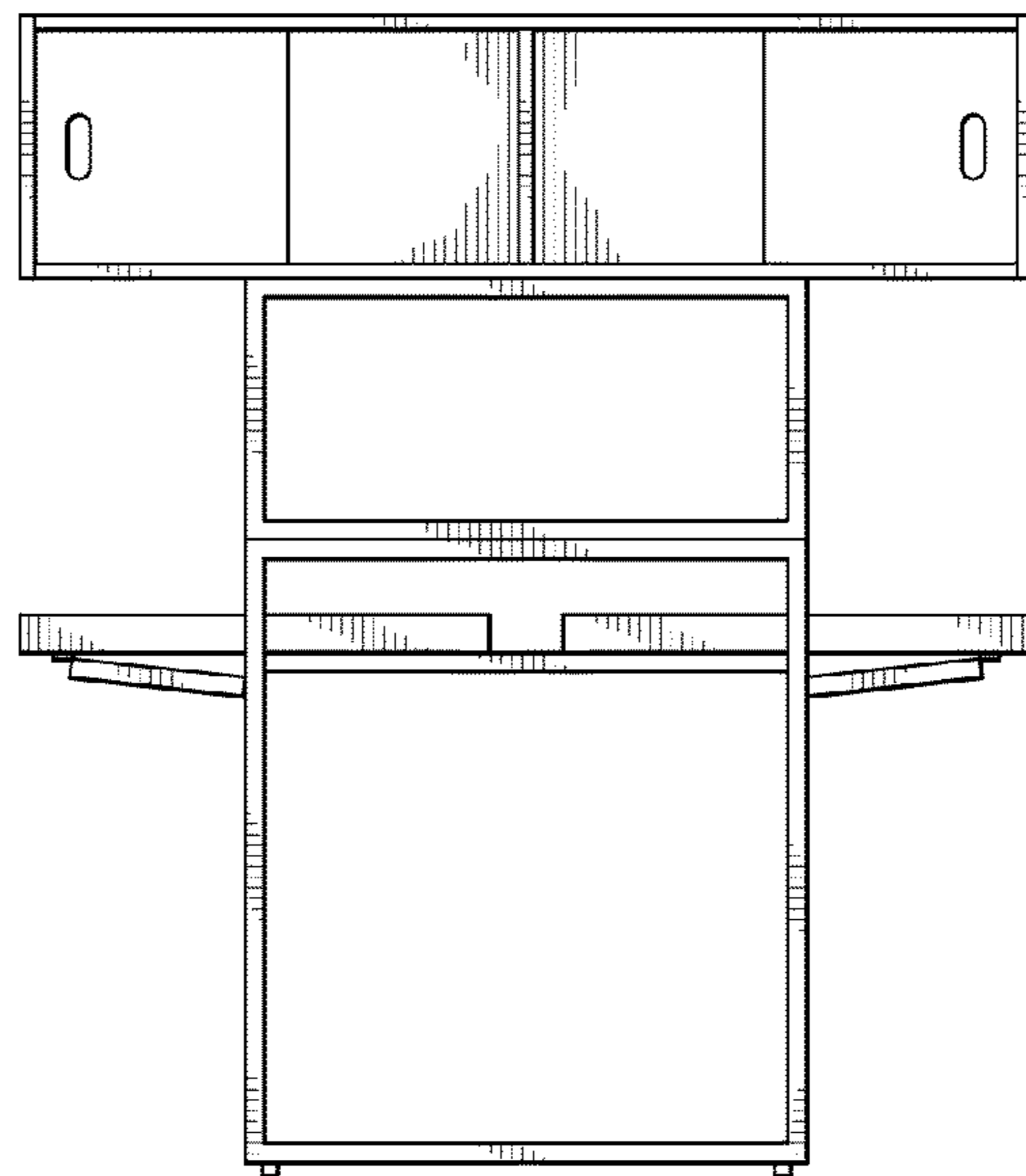


FIG. 3

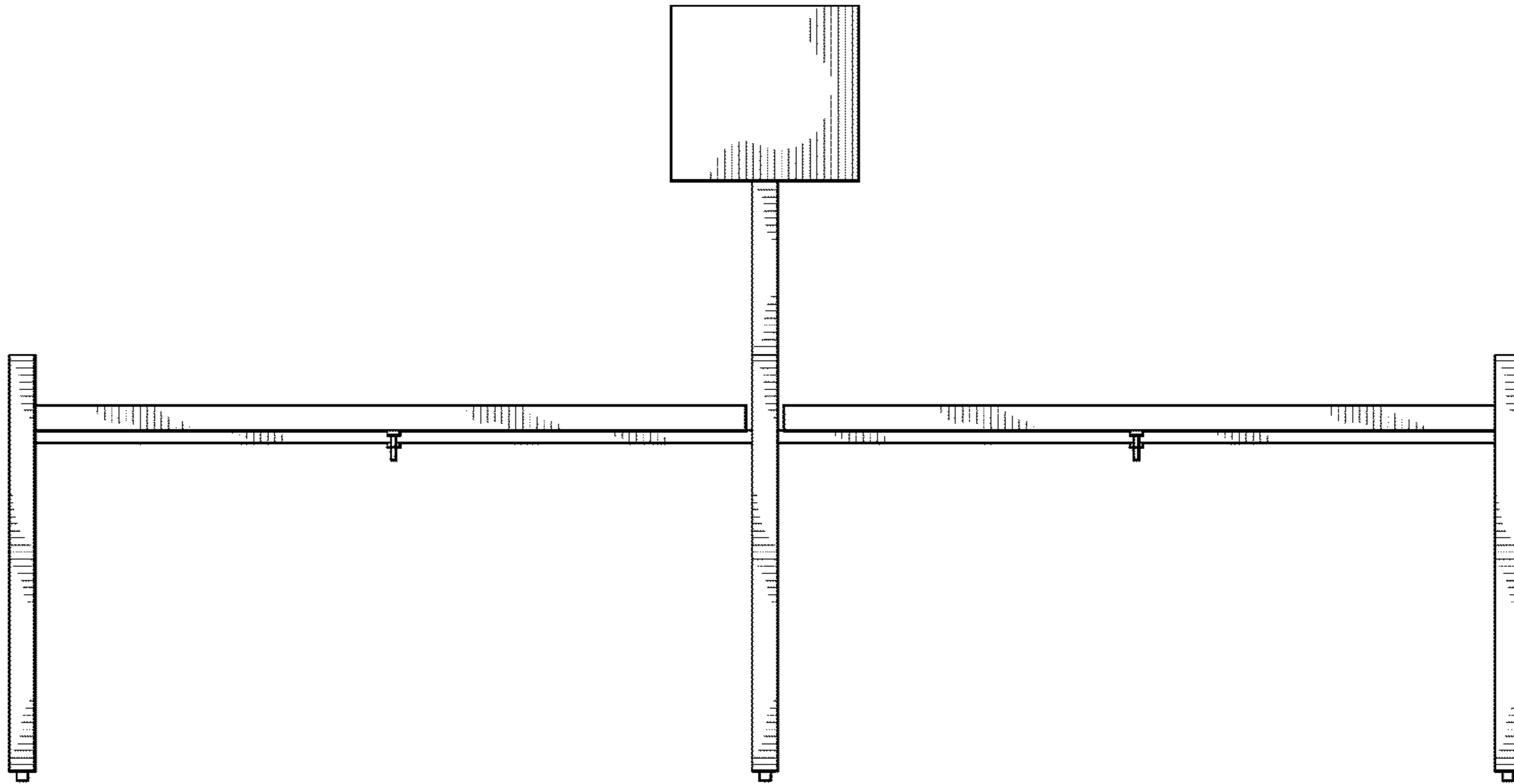


FIG. 4

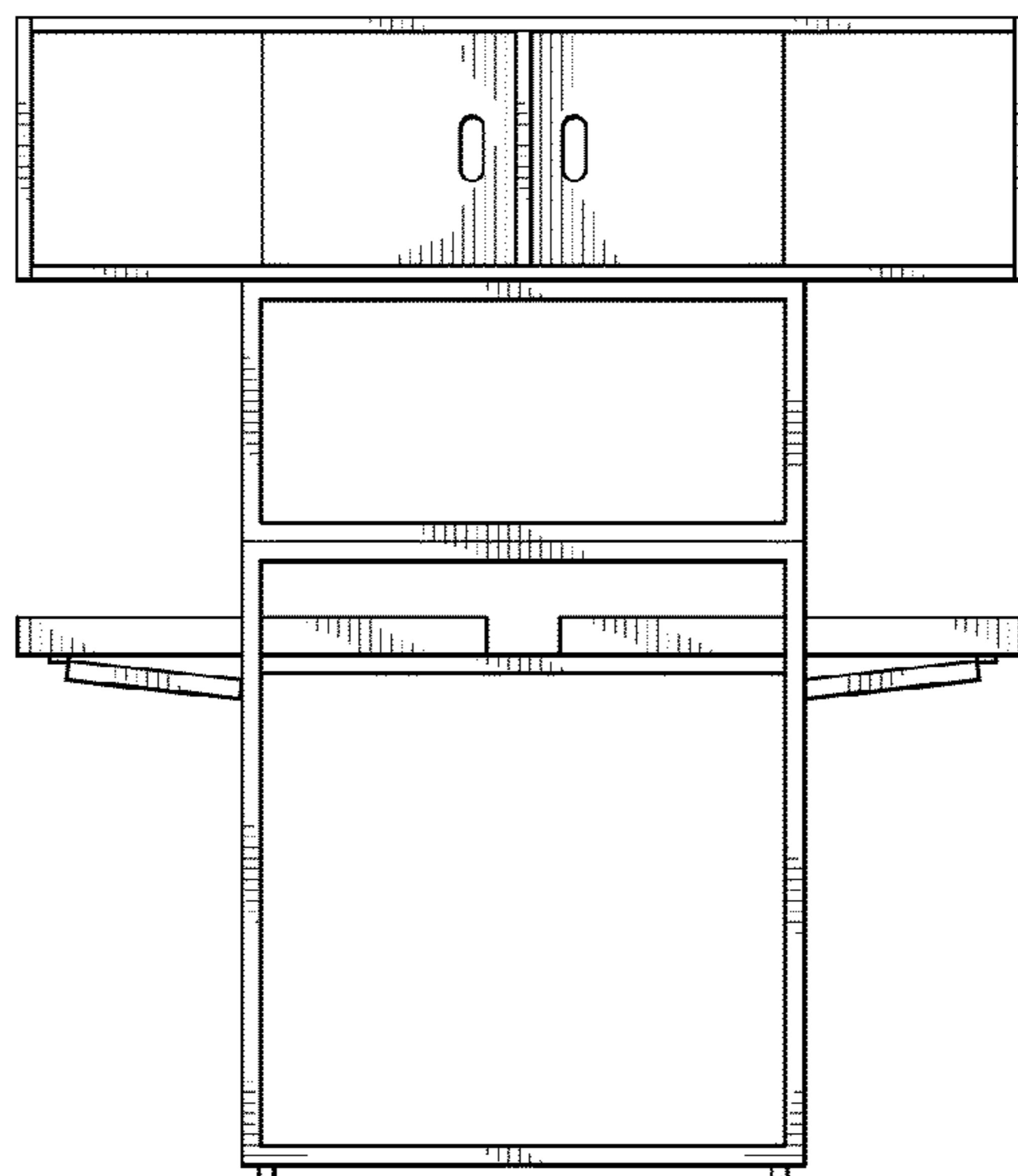


FIG. 5

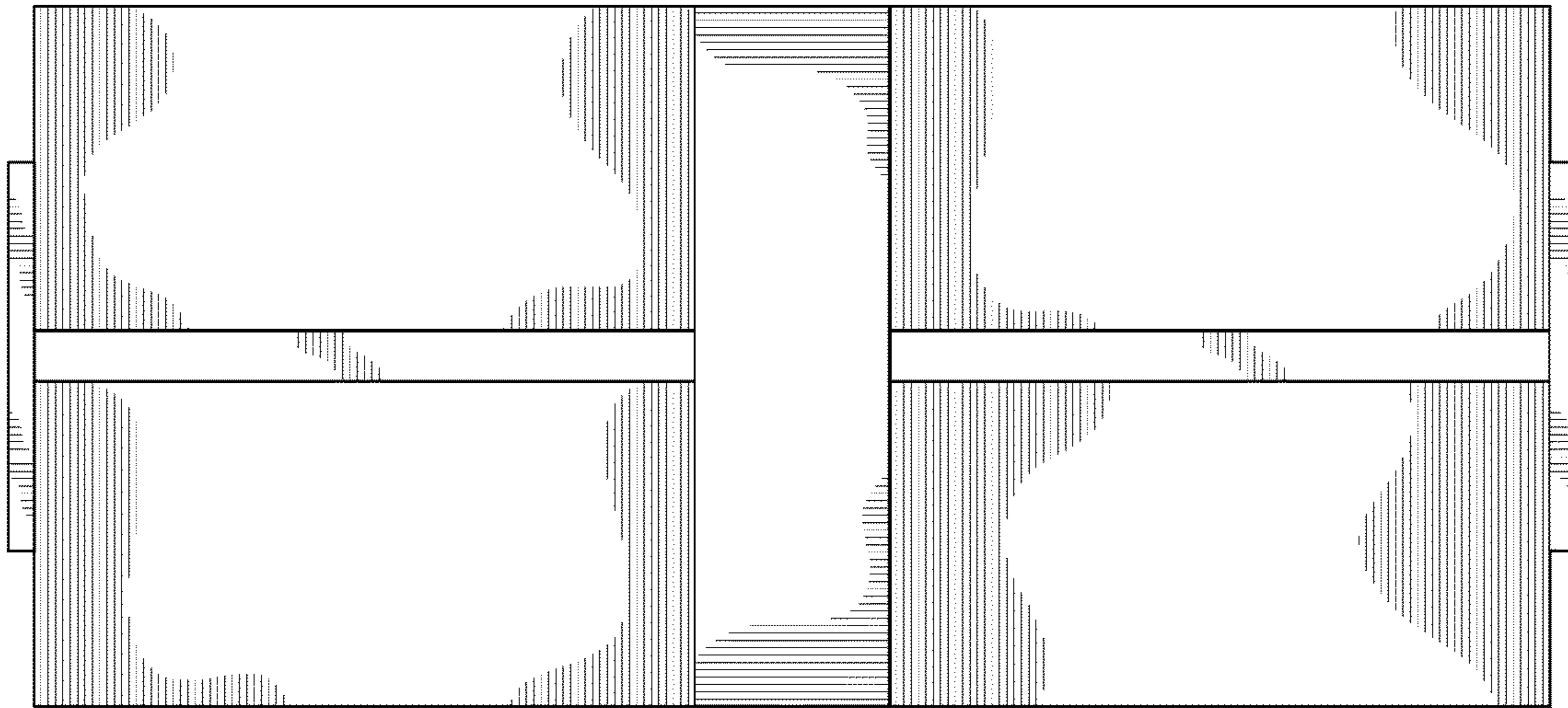


FIG. 6

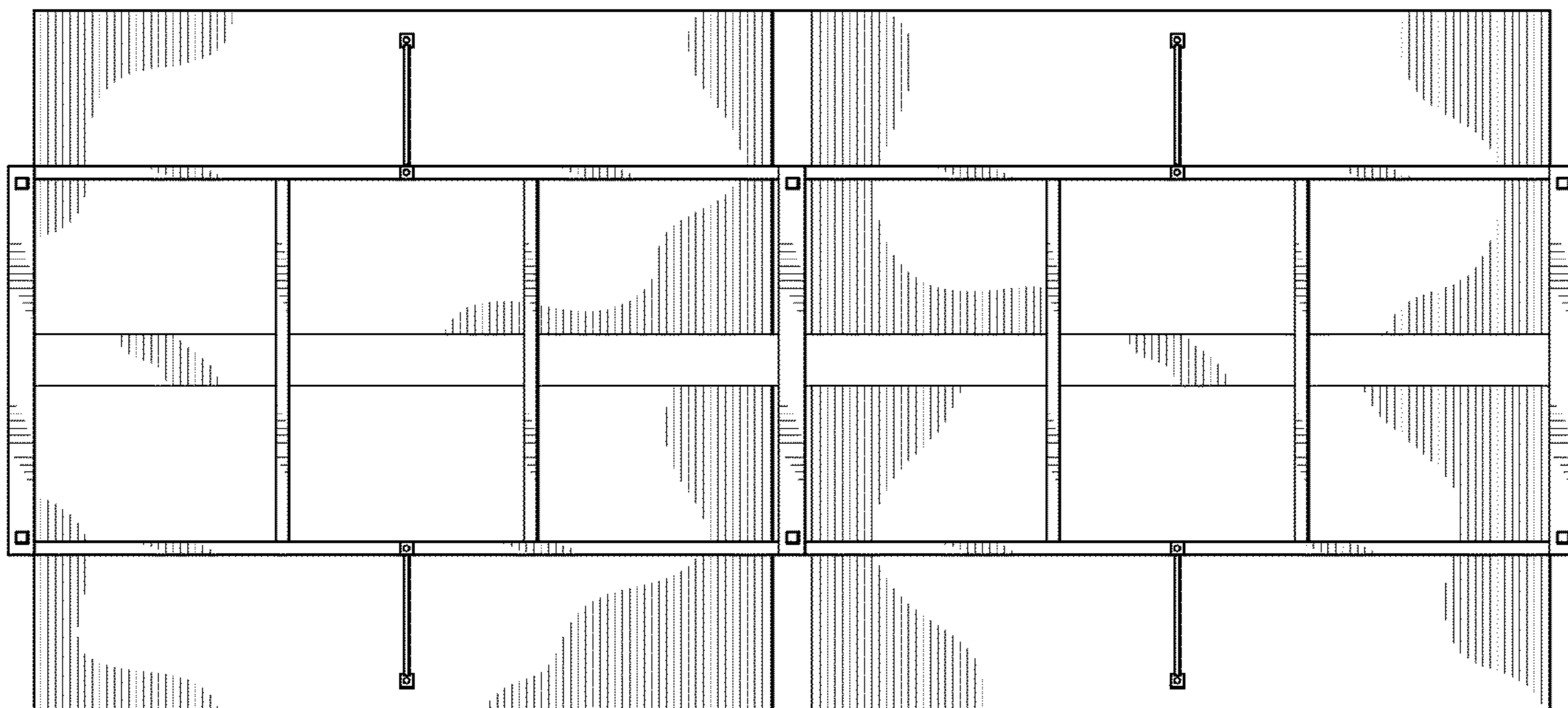


FIG. 7