



US00D745290S

(12) **United States Design Patent**  
**Diez**

(10) **Patent No.:** **US D745,290 S**  
(45) **Date of Patent:** **\*\* Dec. 15, 2015**

- (54) **CHAIR**
- (71) Applicant: **Stefan Diez**, Munich (DE)
- (72) Inventor: **Stefan Diez**, Munich (DE)
- (73) Assignee: **E15 DESIGN UND DISTRIBUTIONS GMBH**, Oberursel (DE)
- (\*\*) Term: **14 Years**
- (21) Appl. No.: **29/450,427**
- (22) Filed: **Mar. 18, 2013**

**Related U.S. Application Data**

- (60) Division of application No. 29/422,932, filed on May 25, 2012, now Pat. No. Des. 684,788, which is a continuation-in-part of application No. 29/311,565, filed on Apr. 21, 2009, now Pat. No. Des. 665,198.

(30) **Foreign Application Priority Data**

Jan. 13, 2009 (DE) ..... 40 2009 000 186

- (51) **LOC (10) Cl.** ..... **06-01**
- (52) **U.S. Cl.**  
USPC ..... **D6/375**
- (58) **Field of Classification Search**  
USPC ..... D6/334–335, 374–375, 382–383, 716, D6/716.1, 716.4; 297/411.2, 445.1, 297/446.1–446.2, 447.1, 448.1; 108/91–92  
CPC ..... A47C 7/40; A47C 3/04  
See application file for complete search history.

(56) **References Cited**

**U.S. PATENT DOCUMENTS**

- D140,583 S \* 3/1945 Brunetti ..... D21/521
- D357,594 S \* 4/1995 Kellen ..... D6/374
- D393,956 S \* 5/1998 Kane ..... D6/374
- D440,064 S \* 4/2001 Deacon ..... D6/375

- D546,087 S \* 7/2007 Rashid ..... D6/375
- D555,379 S \* 11/2007 Ziliani ..... D6/375
- D555,926 S \* 11/2007 Williams et al. .... D6/373
- D568,617 S \* 5/2008 Jehs et al. .... D6/366
- D569,647 S \* 5/2008 Mezger ..... D6/380
- D573,363 S \* 7/2008 Pillet ..... D6/376
- D582,173 S \* 12/2008 Dordoni ..... D6/376
- D585,206 S \* 1/2009 Mourgue ..... D6/373
- D585,655 S \* 2/2009 Pearson et al. .... D6/366
- D585,656 S \* 2/2009 Massaud ..... D6/366
- D600,458 S \* 9/2009 Starck ..... D6/334
- D600,949 S \* 9/2009 Overthun et al. .... D6/716
- D607,225 S \* 1/2010 Bauchet ..... D6/375
- D609,036 S \* 2/2010 Miller et al. .... D6/716
- D626,350 S \* 11/2010 Chang ..... D6/369
- D645,271 S \* 9/2011 Olano Jauregui ..... D6/375
- D647,336 S \* 10/2011 Bao ..... D6/716.1
- D648,562 S \* 11/2011 Lievore et al. .... D6/375
- D648,580 S \* 11/2011 Gasser ..... D6/716
- D648,946 S \* 11/2011 Wilson et al. .... D6/366
- D653,061 S \* 1/2012 Behar et al. .... D6/716
- D655,099 S \* 3/2012 Werner ..... D6/371
- D656,754 S \* 4/2012 Starck ..... D6/375
- D656,755 S \* 4/2012 Wanders ..... D6/375
- D657,583 S \* 4/2012 Wilson et al. .... D6/366
- D660,028 S \* 5/2012 Rode ..... D6/360
- D660,055 S \* 5/2012 Kane ..... D6/716

(Continued)

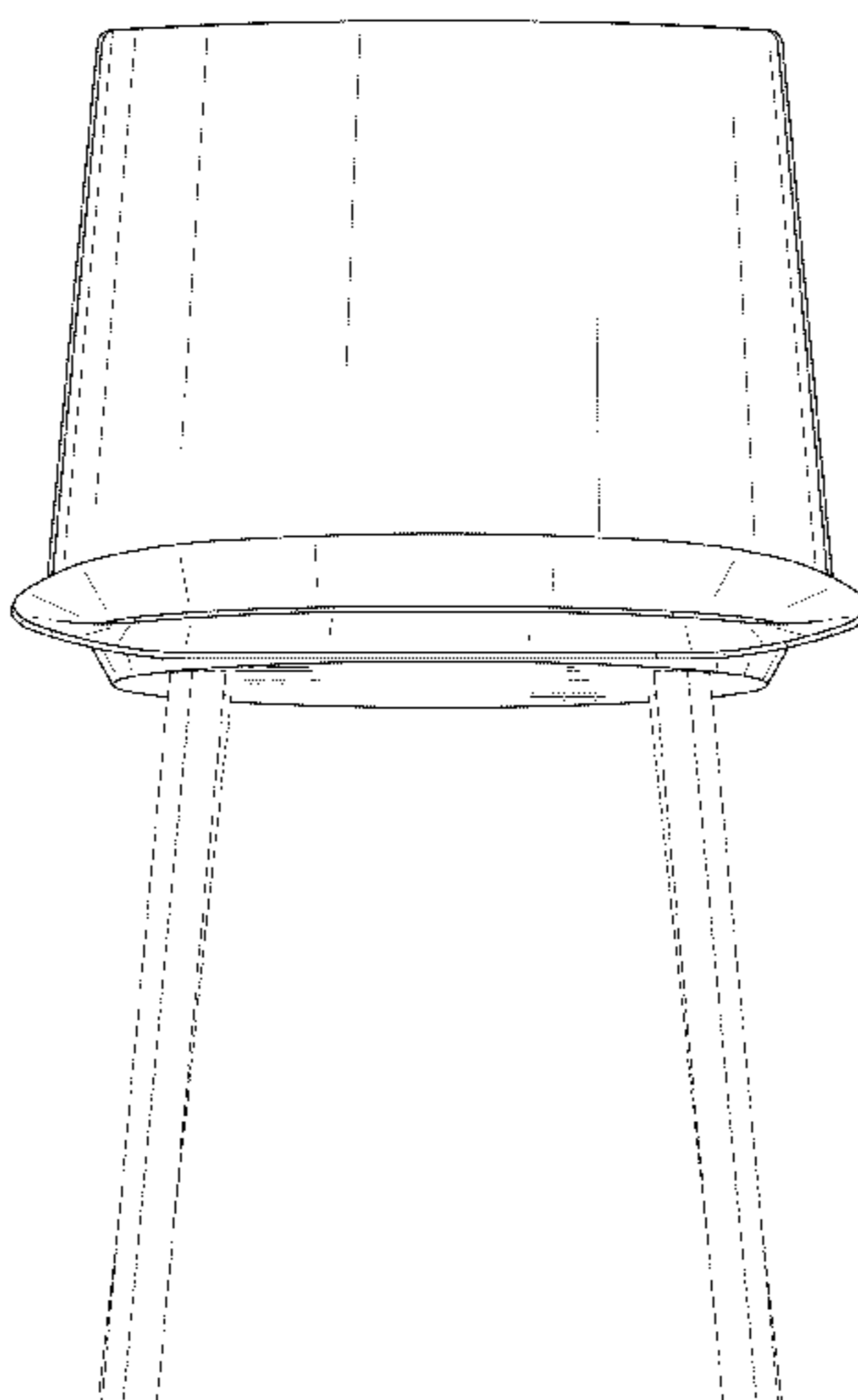
*Primary Examiner* — Kelley Donnelly  
(74) *Attorney, Agent, or Firm* — Ladas & Parry LLP

(57) **CLAIM**  
The ornamental design for chair, as shown and described.

**DESCRIPTION**

FIG. 1 is front elevational view of a chair showing my new design;  
FIG. 2 is a right side elevational view thereof; and,  
FIG. 3 is a top plan view thereof.  
The broken lines are for the purpose of illustrating the environment of the design only and form no part of the claimed design.

**1 Claim, 3 Drawing Sheets**



# US D745,290 S

Page 2

---

(56)

## References Cited

### U.S. PATENT DOCUMENTS

D661,119 S \* 6/2012 Rode ..... D6/374  
D665,593 S \* 8/2012 Morrison ..... D6/375  
D678,690 S \* 3/2013 Eldoy ..... D6/366

D684,788 S \* 6/2013 Diez ..... D6/375  
D685,598 S \* 7/2013 Hori et al. .... D6/716.4  
D718,967 S \* 12/2014 Young et al. .... D6/716  
D726,434 S \* 4/2015 Ye ..... D6/379

\* cited by examiner

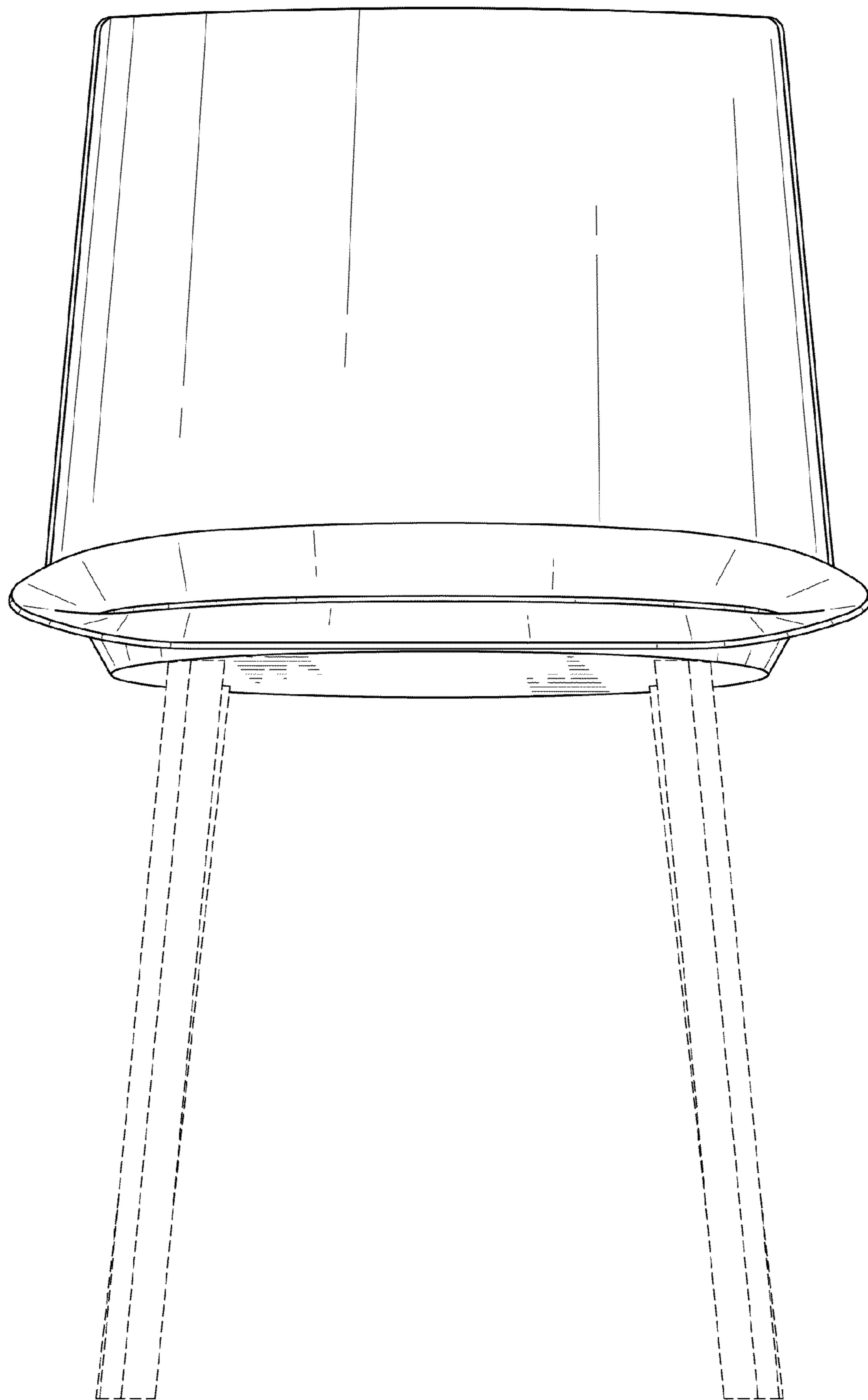
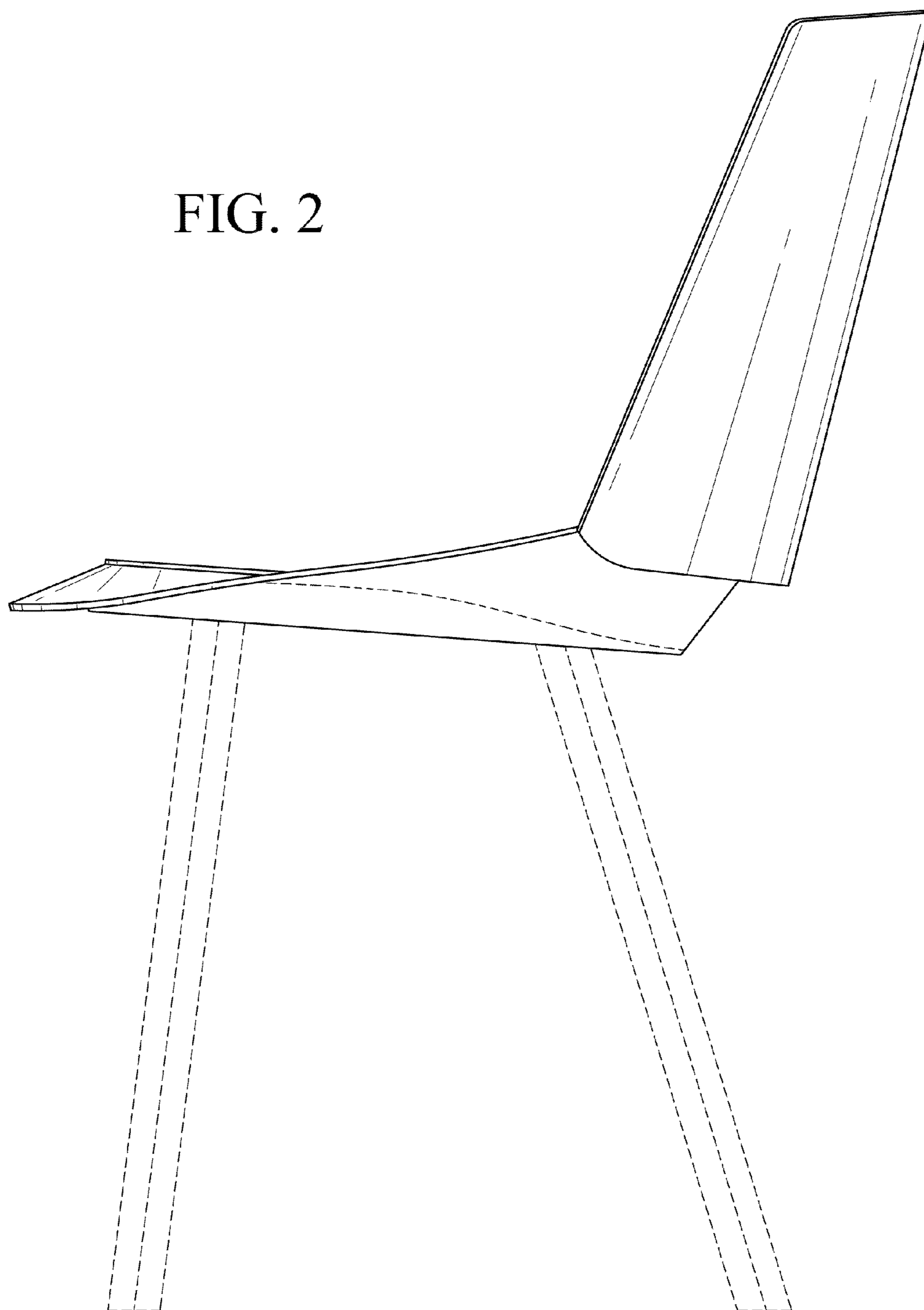


FIG. 1

FIG. 2



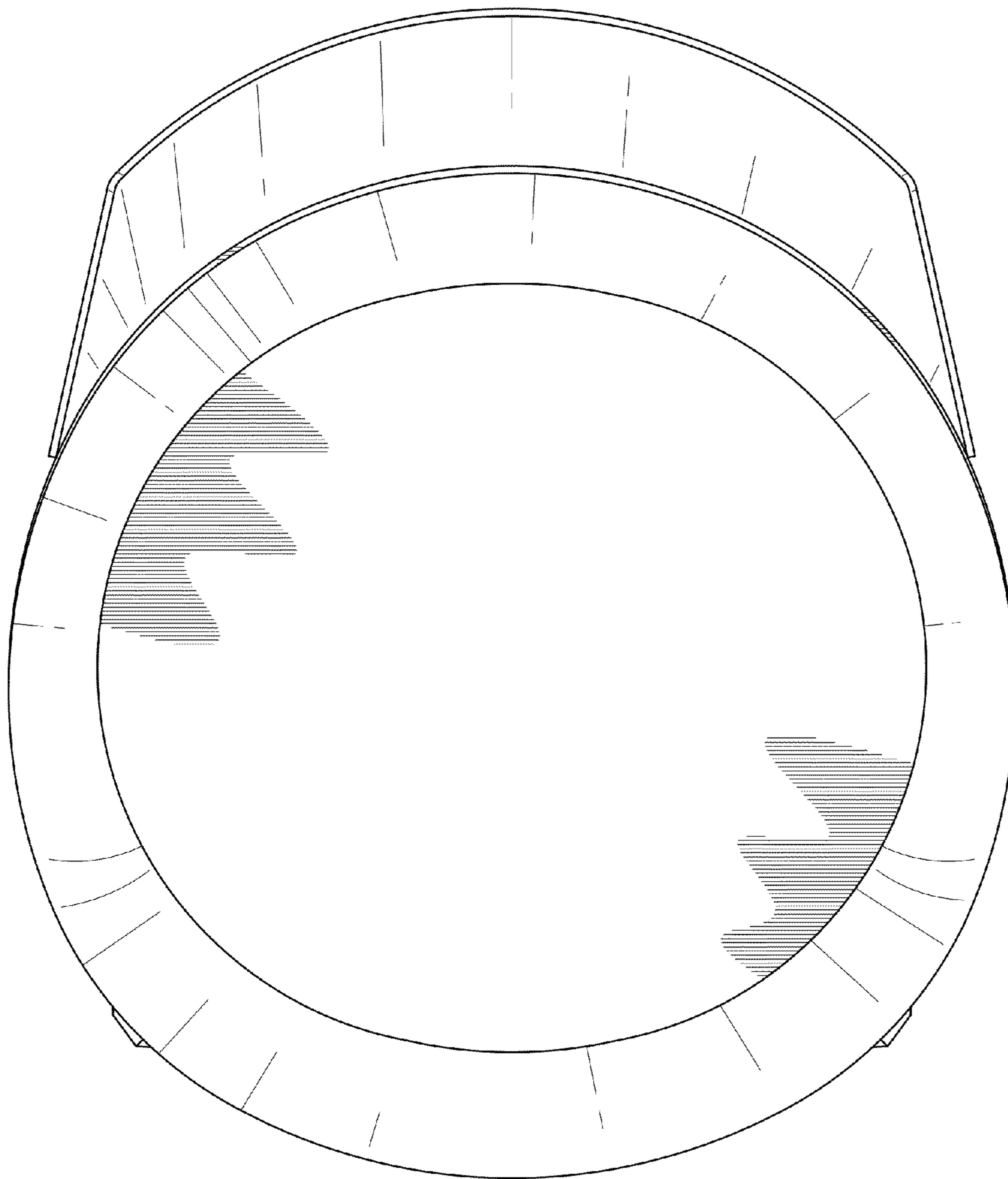


FIG. 3