



US00D745287S

(12) **United States Design Patent**
Chadwick et al.

(10) **Patent No.:** **US D745,287 S**
(45) **Date of Patent:** **** Dec. 15, 2015**

(54) **STOOL**
(71) Applicant: **Humanscale Corporation**, New York, NY (US)
(72) Inventors: **Donald Chadwick**, Los Angeles, CA (US); **Jeffrey Koffman**, Santa Monica, CA (US); **Todd Brunner**, Brooklyn, NY (US); **Gregory Allison**, Allentown, PA (US)

4,099,697 A 7/1978 Von Schuckmann
D283,856 S * 5/1986 Elmaleh D6/349
D311,104 S * 10/1990 Smith et al. D6/495
D383,321 S 9/1997 Honeycutt, Sr.
5,690,389 A 11/1997 Ekman et al.
6,070,943 A 6/2000 Guery-Strahm
6,390,559 B1 5/2002 Schnitzhofer
6,447,070 B1 9/2002 Ekman et al.
6,520,578 B1 2/2003 Jospa et al.
D471,025 S 3/2003 Chiu
D471,371 S 3/2003 Chiu

(Continued)

(73) Assignee: **Humanscale Corporation**, New York, NY (US)

FOREIGN PATENT DOCUMENTS

(**) Term: **14 Years**

DE 73618 6/1970
DE 75311129 3/1976

(21) Appl. No.: **29/498,004**

(Continued)

(22) Filed: **Jul. 30, 2014**

OTHER PUBLICATIONS

(51) **LOC (10) Cl.** **06-01**

Non-Final Rejection mailed Dec. 11, 2009 in the U.S. Appl. No. 12/131,335, filed Jun. 2, 2008, "Active Dynamic Seating Device".

(52) **U.S. Cl.**

USPC **D6/352**

(58) **Field of Classification Search**

USPC D6/333, 335, 340, 344, 347, 349-355, D6/358, 360, 363-365, 381, 596, 601, 685, D6/687, 688.15, 688.27, 690, 691, 692.3, D6/708.16, 709, 709.2, 709.22, 711, D6/716-716.7, 717

CPC A47C 1/14; A47C 3/16-3/20; A47C 4/00; A47C 4/28; A47C 5/02; A47C 5/04; A47C 5/043; A47C 7/00-7/006; A47C 7/02; A47C 9/00; A47C 9/02; A47C 9/002; A47C 9/007; A47C 9/025; A47C 9/10; A47C 11/00; A47C 12/00; A47C 13/00; A47C 16/02

See application file for complete search history.

Primary Examiner — Susan Bennett Hattan

Assistant Examiner — Vy Koenig

(74) *Attorney, Agent, or Firm* — Kelley Drye & Warren LLP

(57) **CLAIM**

We claim the ornamental design for a stool, as shown and described.

DESCRIPTION

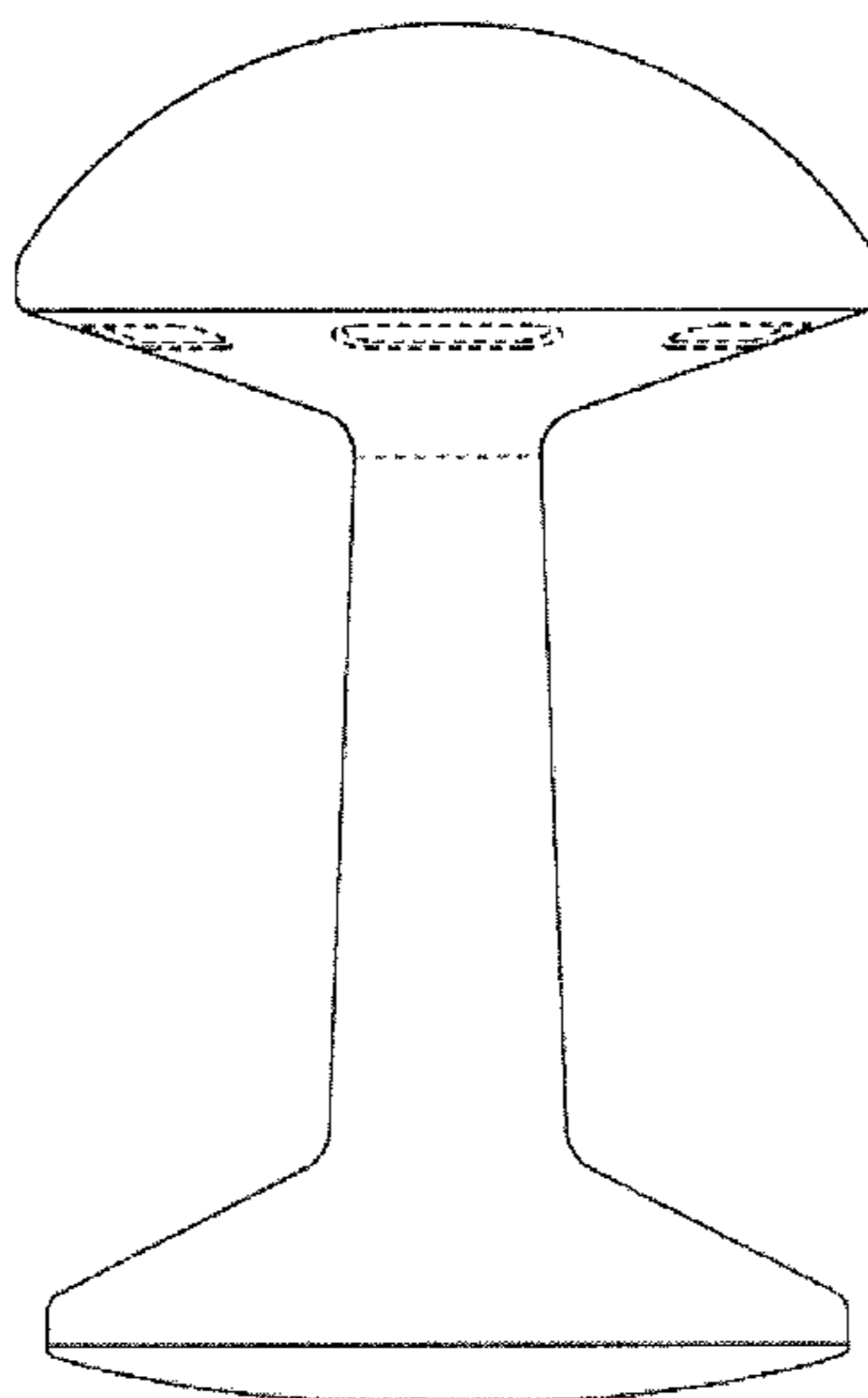
FIG. 1 is a front, rear, left, and right side view of a stool embodying the present invention; FIG. 2 is a top view of the stool of FIG. 1; and, FIG. 3 is a bottom view of the stool of FIG. 1. The broken lines shown in the drawings depict portions of the stool that form no part of the claimed design.

(56) **References Cited**

U.S. PATENT DOCUMENTS

D106,216 S * 9/1937 Salomon D6/349
3,770,319 A * 11/1973 Ono 297/461

1 Claim, 2 Drawing Sheets



(56)

References Cited

U.S. PATENT DOCUMENTS

D474,039 S * 5/2003 Zemp D6/349
6,616,238 B1 9/2003 Guery-Strahm
6,730,005 B1 5/2004 Liao
6,832,817 B1 12/2004 Chiu
D523,251 S * 6/2006 Parpala D6/352
D557,909 S * 12/2007 LaSorsa D6/349
7,588,522 B2 9/2009 Heitzman
D635,373 S 4/2011 Lieberman
D647,713 S * 11/2011 Unterrainer et al. D6/349
8,056,976 B1 11/2011 Polk
8,066,624 B1 11/2011 Stroup
D651,422 S * 1/2012 Unterrainer et al. D6/349

D664,779 S * 8/2012 Weber et al. D6/349
D686,829 S * 7/2013 Elmaleh D6/352
D720,143 S * 12/2014 Barber et al. D6/352
2008/0261789 A1 10/2008 Hsu
2009/0001788 A1 1/2009 Lenz et al.
2013/0005550 A1 1/2013 Nagy
2013/0057030 A1 3/2013 Mankin
2013/0154333 A1 6/2013 Wu

FOREIGN PATENT DOCUMENTS

EP 0808116 B1 12/1999
EP 1997403 A1 12/2008

* cited by examiner

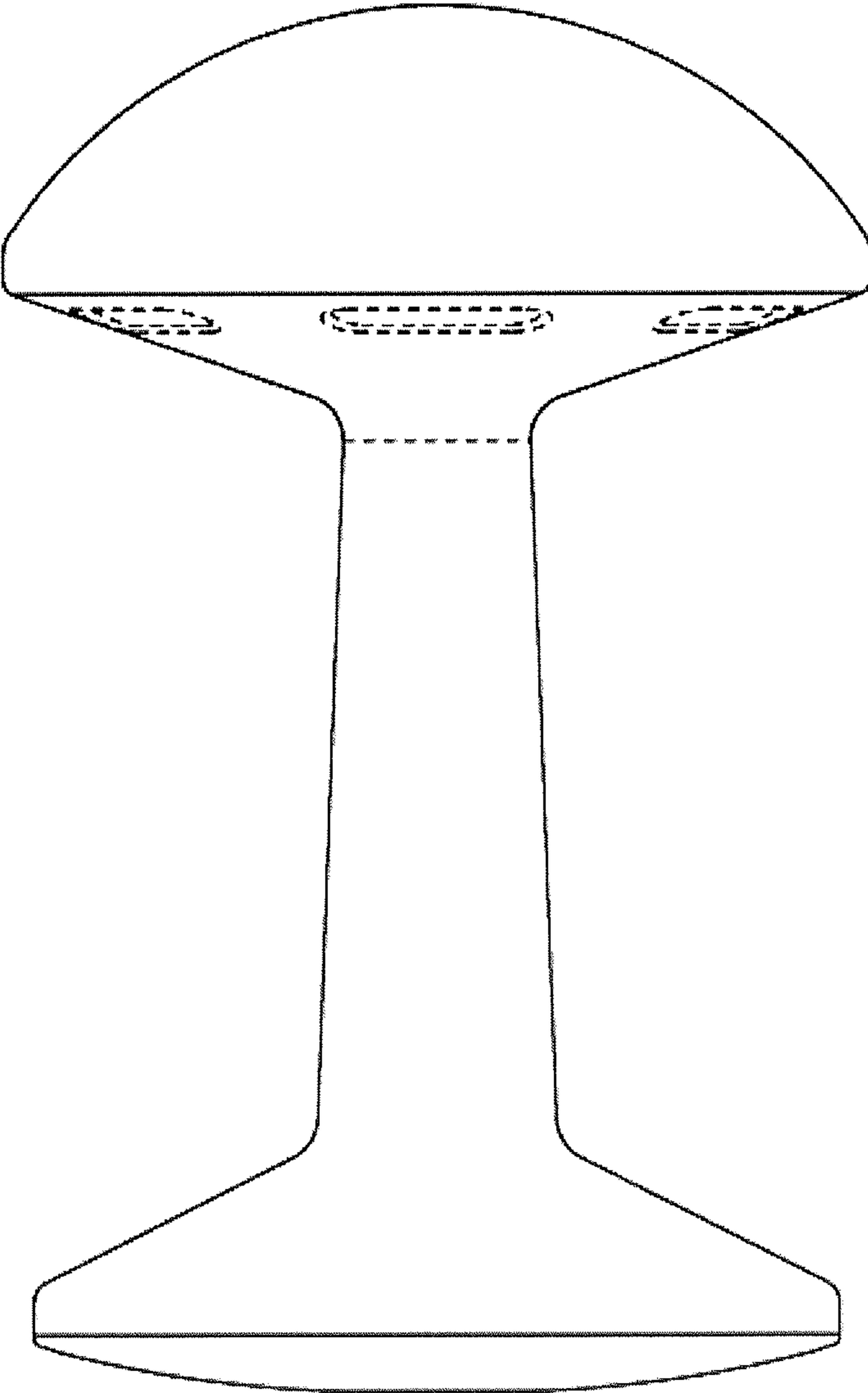


FIG. 1

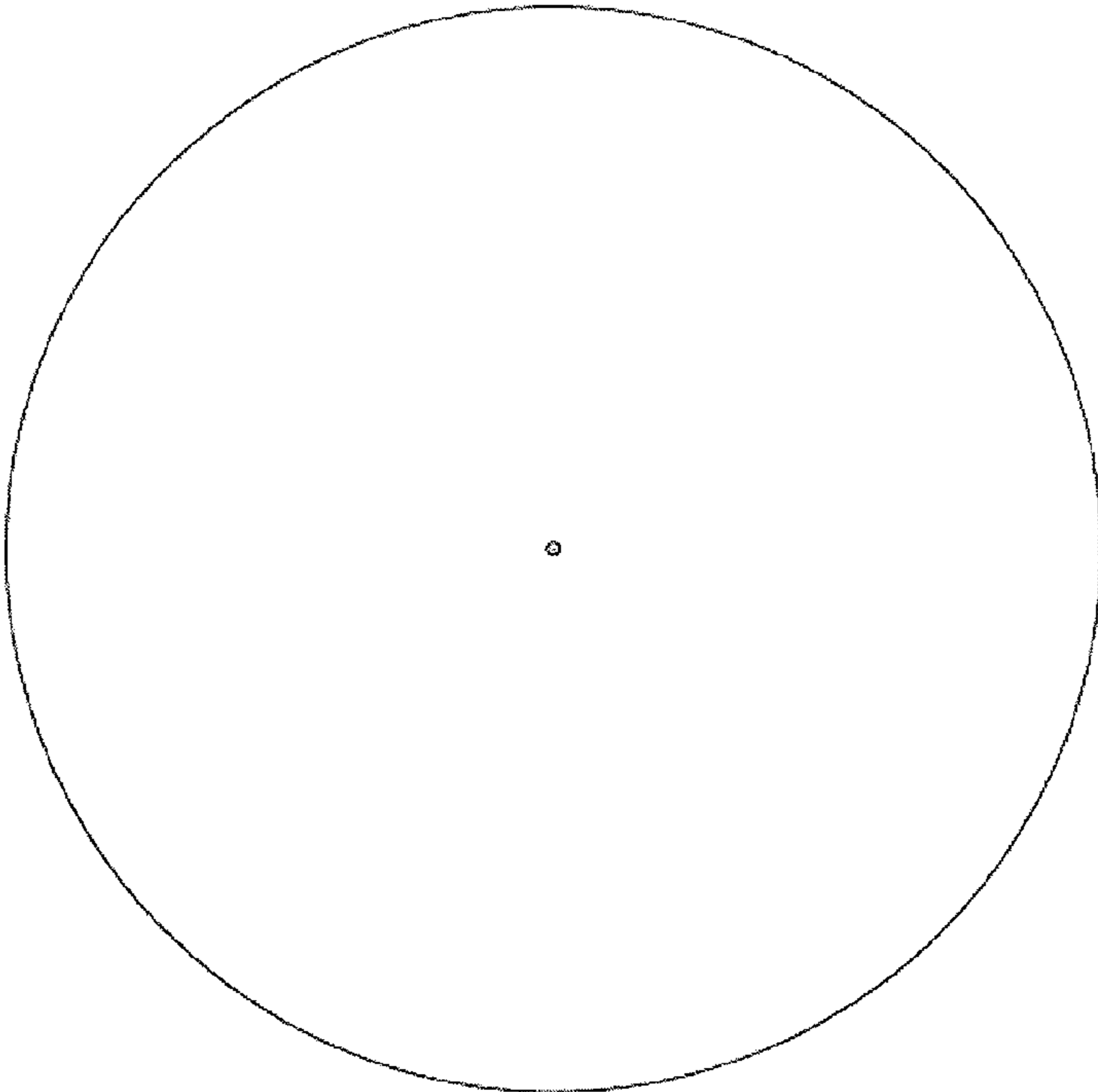


FIG. 2

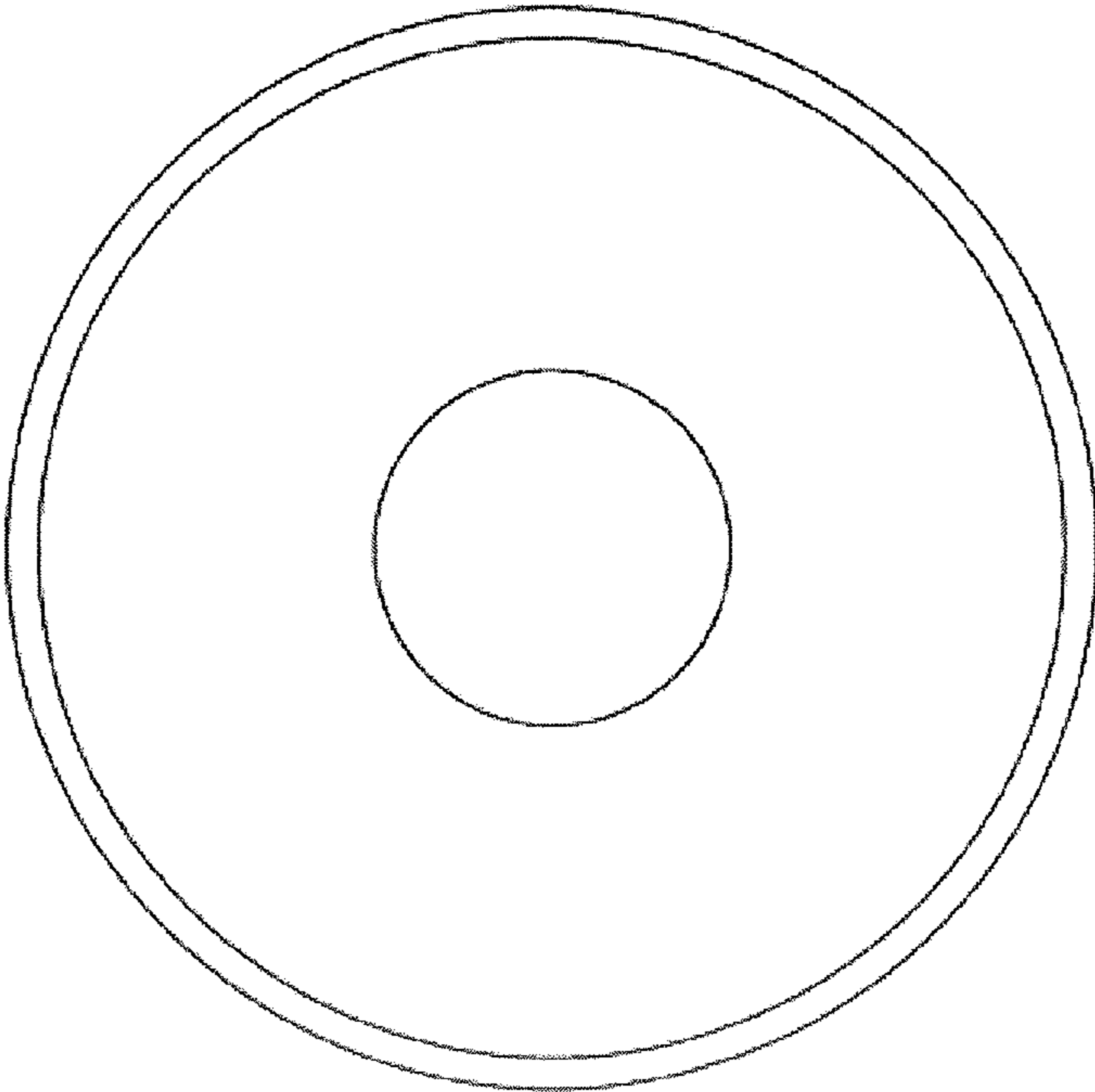


FIG. 3