



US00D745286S

(12) **United States Design Patent**
Thibault

(10) **Patent No.:** **US D745,286 S**

(45) **Date of Patent:** **** Dec. 15, 2015**

(54) **STEP STOOL**

(71) Applicant: **SKERPA DESIGN INC.**, Montreal
(CA)

(72) Inventor: **Daniel Thibault**, Montreal (CA)

(73) Assignee: **SKERPA DESIGN INC.**, Montreal, QC
(CA)

(**) Term: **14 Years**

(21) Appl. No.: **29/510,800**

(22) Filed: **Dec. 3, 2014**

(30) **Foreign Application Priority Data**

Jul. 3, 2014 (CA) 157511

(51) **LOC (10) Cl.** **06-01**

(52) **U.S. Cl.**
USPC **D6/349**

(58) **Field of Classification Search**
USPC D6/333, 335, 340, 344, 347, 349-355,
D6/358, 360, 363-365, 381, 406.6, 596,
D6/662.1, 677, 685, 687, 688.15, 688.27,
D6/690, 691, 692.1-692.3, 695.1, 708.16,
D6/708.2, 709, 709.2, 709.22, 711,
D6/716-716.7, 717; D25/63-65
CPC A47C 1/14; A47C 3/16-6/20; A47C 4/00;
A47C 4/28; A47C 5/02; A47C 5/04; A47C
5/043; A47C 7/00-7/006; A47C 7/02; A47C
9/00; A47C 9/02; A47C 9/002; A47C 9/007;
A47C 9/025; A47C 9/10; A47C 11/00;
A47C 12/00; A47C 13/00; A47C 16/02;
A47B 7/00-7/02; A47B 45/00; A47B
47/04-47/045; A47B 3/12

See application file for complete search history.

(56) **References Cited**

U.S. PATENT DOCUMENTS

D206,379	S	*	12/1966	Good	D6/353
D221,072	S	*	7/1971	Arenhold	D6/349
D225,818	S	*	1/1973	Torrey	D6/716.4
D311,282	S	*	10/1990	Tooley	D6/349
D347,666	S	*	6/1994	Hand	D21/671
D349,540	S	*	8/1994	Hand et al.	D21/671
6,568,506	B1	*	5/2003	Donnalley	182/223
D567,395	S	*	4/2008	Bishop et al.	D25/65
D586,572	S	*	2/2009	Collette	D6/349
D600,928	S	*	9/2009	Rake	D6/353
D600,929	S	*	9/2009	Kemnitzner	D6/353
D628,247	S	*	11/2010	de Boers et al.	D21/671
D652,651	S	*	1/2012	Wittenberg et al.	D6/403
D663,492	S	*	7/2012	Haaf et al.	D30/160

OTHER PUBLICATIONS

Medical aluminum step stool. Mazzamorpos 2015. [online]
Retrieved Aug. 5, 2015 from URL: <<http://www.skerpadesign.com/our-works/>>.*

* cited by examiner

Primary Examiner — Susan Bennett Hattan

Assistant Examiner — Vy Koenig

(74) *Attorney, Agent, or Firm* — Norton Rose Fulbright
Canada LLP

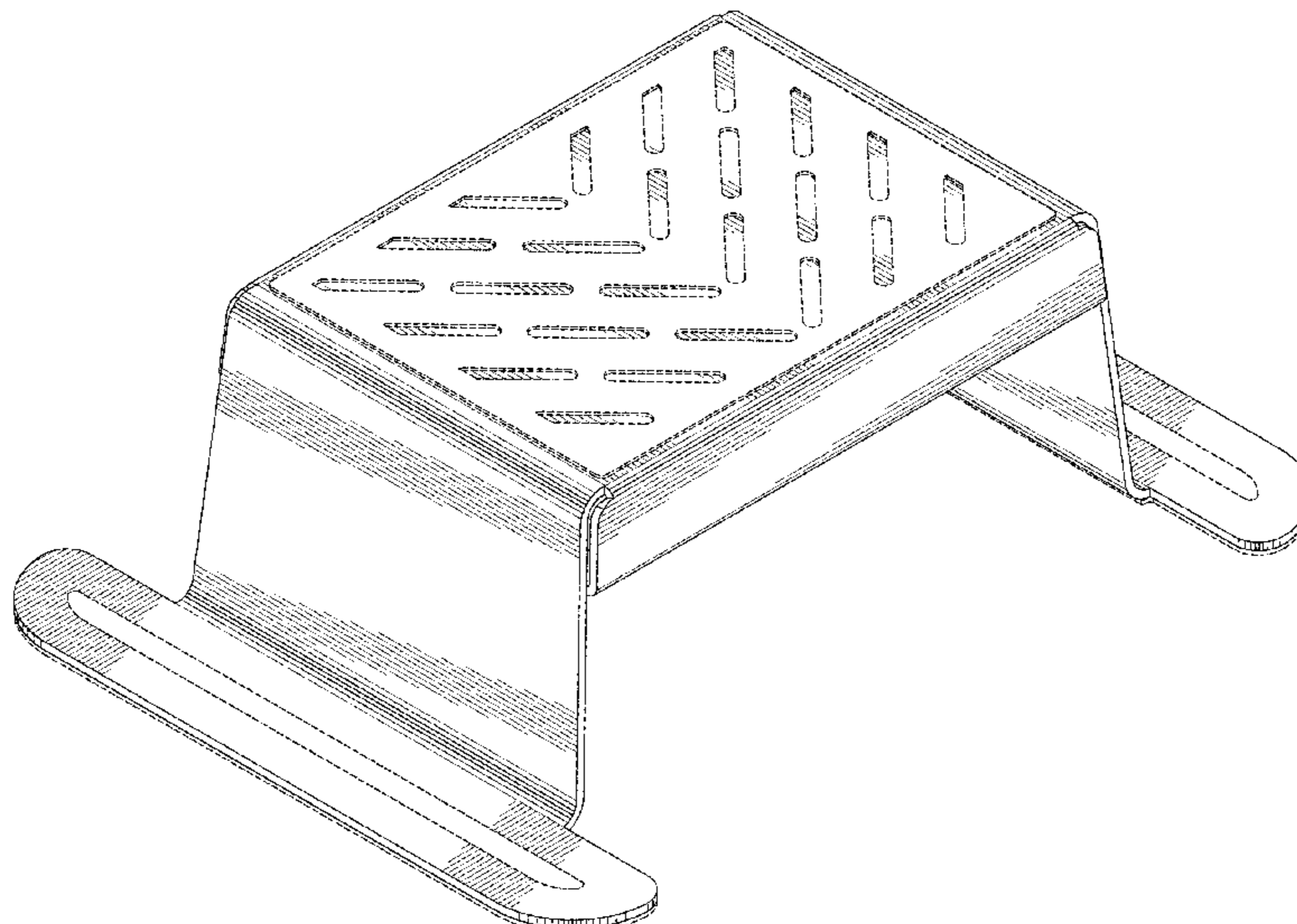
(57) **CLAIM**

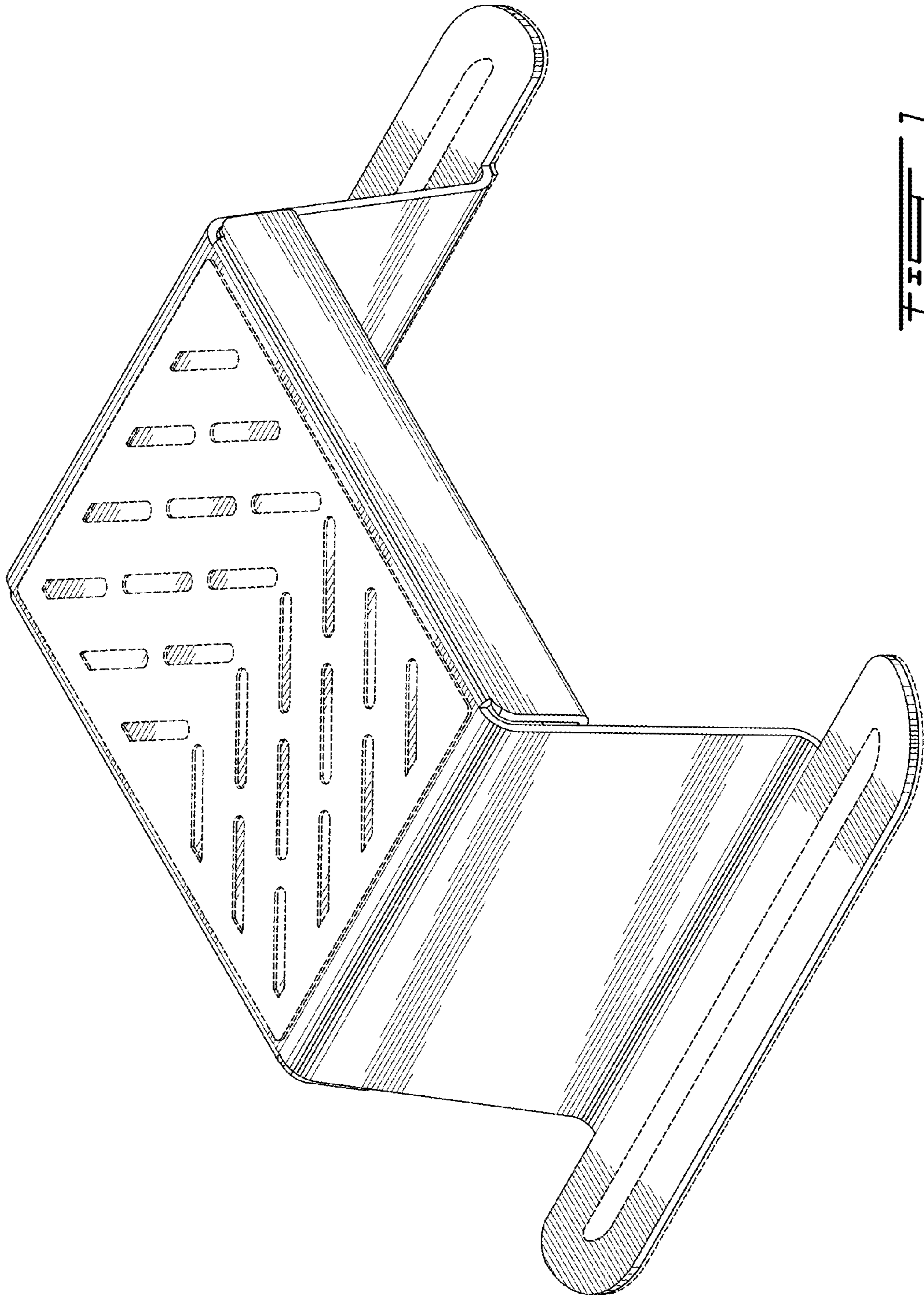
The ornamental design for a step stool, as shown and
described.

DESCRIPTION

FIG. 1 is a perspective view of the step stool;
FIG. 2 is a front view of the step stool;
FIG. 3 is a side view of the step stool;
FIG. 4 is a top view of the step stool; and,
FIG. 5 is a bottom view of the step stool.
The portions of the step stool shown in broken lines form no
part of the claimed design.

1 Claim, 5 Drawing Sheets





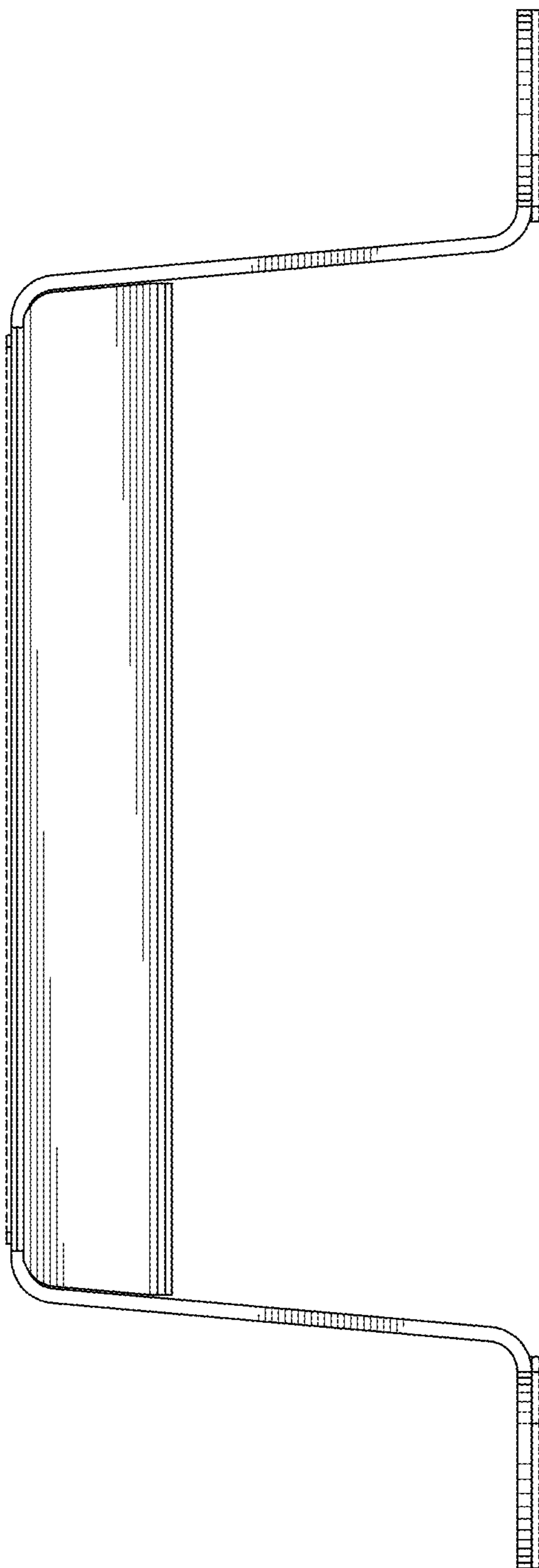


FIG. 2

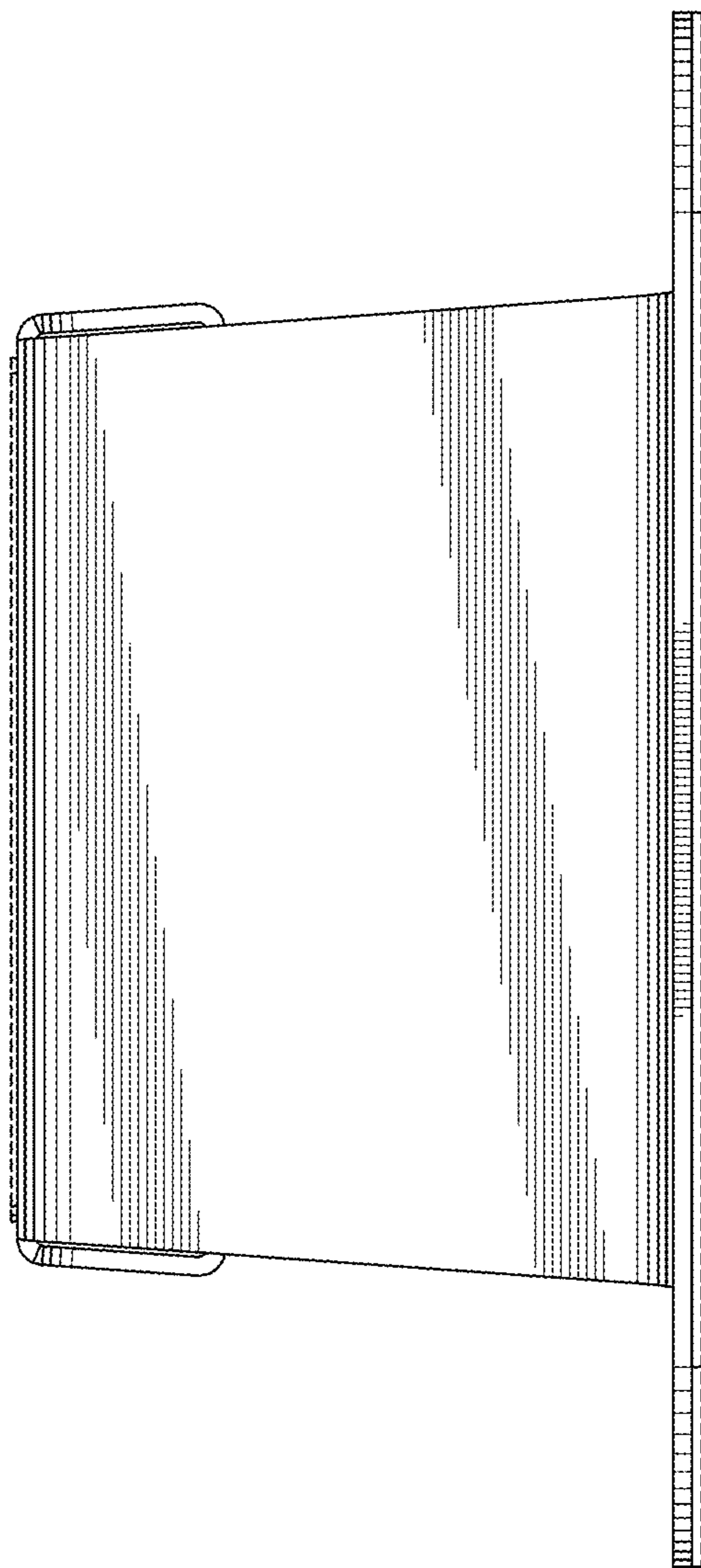


FIG. 3

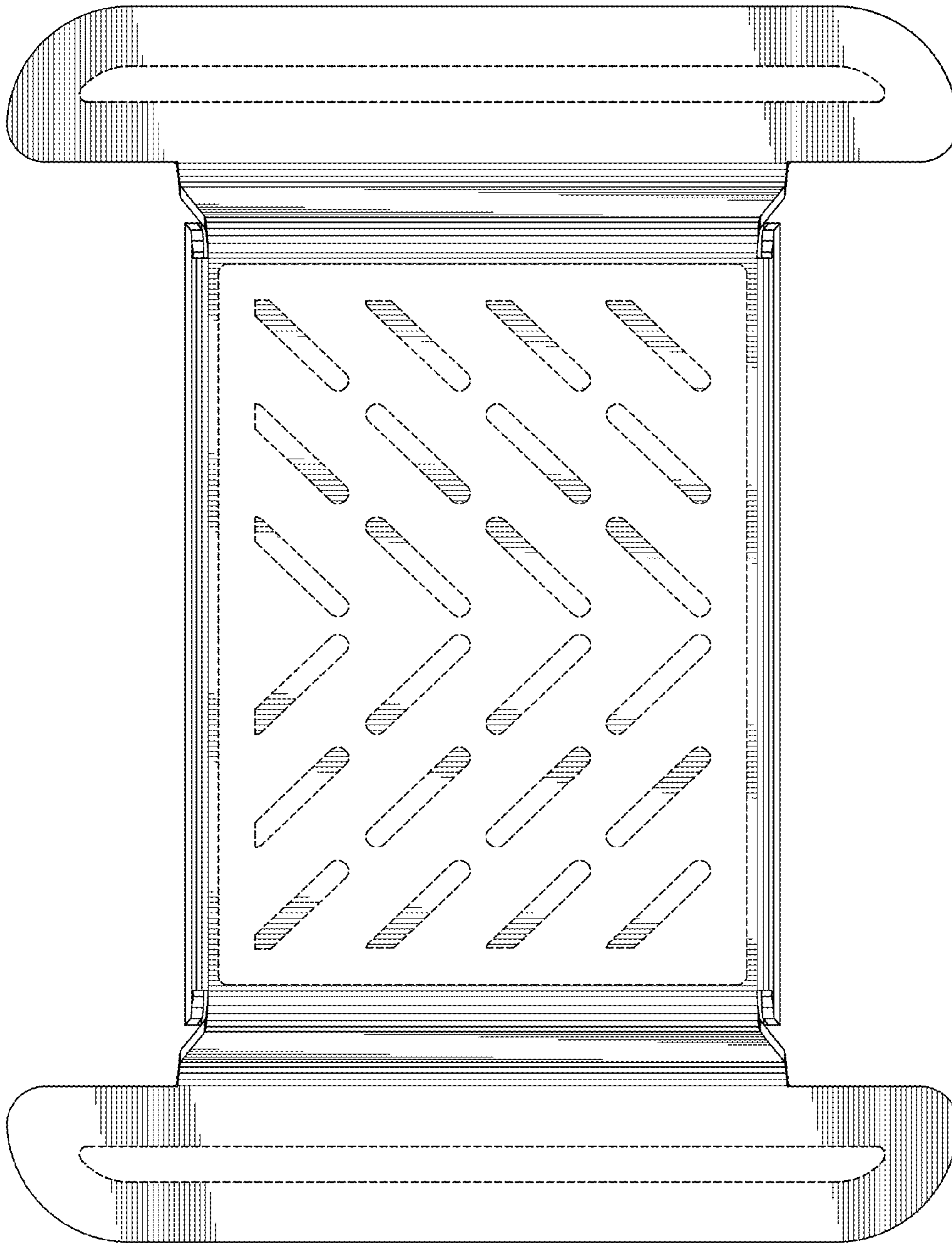


FIG. 4

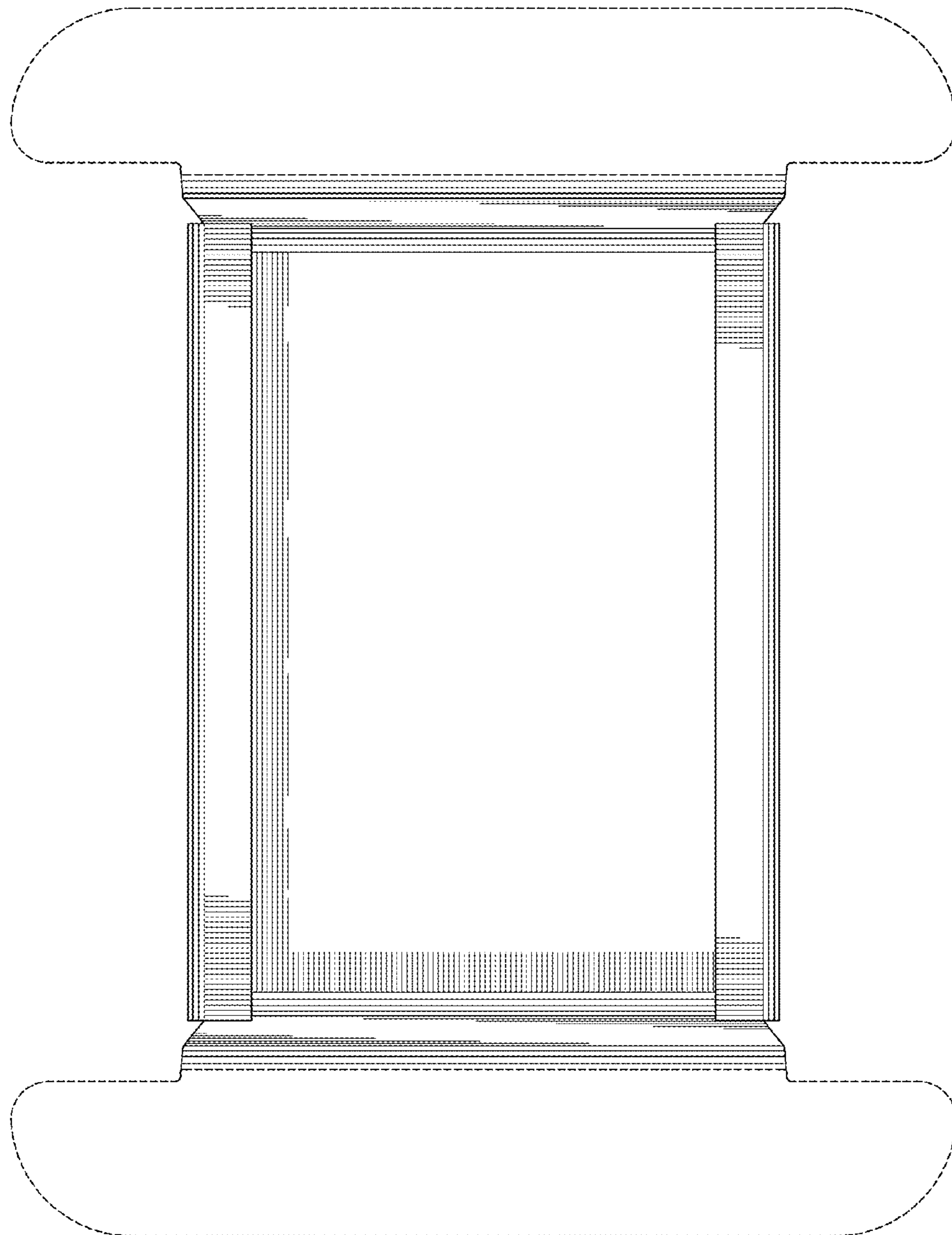


FIG. 5