



US00D745281S

(12) **United States Design Patent**
Goodman et al.

(10) **Patent No.:** **US D745,281 S**

(45) **Date of Patent:** **** Dec. 15, 2015**

(54) **WIRE BASKET**

D704,432 S * 5/2014 Askaroff D3/213
D712,149 S * 9/2014 Perez-Segarra D3/309
D715,512 S * 10/2014 Subiros Berenguer D34/24

(71) Applicant: **Spectrum Diversified Designs, Inc.**,
Streetsboro, OH (US)

* cited by examiner

(72) Inventors: **Sheldon H. Goodman**, Solon, OH (US);
Phaysouk Xayoiphonh, Akron, OH
(US); **Jennifer Case**, Middleburg Hts.,
OH (US)

Primary Examiner — Kelley Donnelly

(74) *Attorney, Agent, or Firm* — Benesch Freidlander
Coplan & Aronoff LLP

(73) Assignee: **Spectrum Diversified Designs, LLC**,
Streetsboro, OH (US)

(57) **CLAIM**

What is claimed is the ornamental design for a wire basket, as
shown and described.

(**) Term: **14 Years**

DESCRIPTION

(21) Appl. No.: **29/507,601**

(22) Filed: **Oct. 29, 2014**

(51) **LOC (10) Cl.** **03-01**

(52) **U.S. Cl.**
USPC **D3/306**

(58) **Field of Classification Search**

USPC D3/201, 304, 305, 306, 312, 314–315,
D3/318–319; D19/75–77, 90

CPC A45F 5/00; A45F 5/10; A45F 2005/1006
See application file for complete search history.

(56) **References Cited**

U.S. PATENT DOCUMENTS

D255,480 S * 6/1980 Zieg D23/209
D382,710 S * 8/1997 Henderson D3/305
D404,203 S * 1/1999 Maier-Aichen D3/303
D616,255 S * 5/2010 Goodman et al. D7/601
D629,258 S * 12/2010 Tiemann D7/600.4
D637,000 S * 5/2011 Goodman et al. D3/306
D677,056 S * 3/2013 Hu D3/306
D692,666 S * 11/2013 Goodman et al. D3/304

FIG. 1 is a perspective view of a wire basket showing a new
design;

FIG. 2 is a right side view of the wire basket of FIG. 1;

FIG. 3 is a front view of the wire basket of FIG. 1;

FIG. 4 is a left side view of the wire basket of FIG. 1;

FIG. 5 is a rear view of the wire basket of FIG. 1;

FIG. 6 is a top view of the wire basket of FIG. 1;

FIG. 7 is a bottom view of the wire basket of FIG. 1;

FIG. 8 is a perspective view of another embodiment of the
wire basket showing a new design;

FIG. 9 is a right side view of the wire basket of FIG. 8;

FIG. 10 is a front view of the wire basket of FIG. 8;

FIG. 11 is a left side view of the wire basket of FIG. 8;

FIG. 12 is a rear view of the wire basket of FIG. 8;

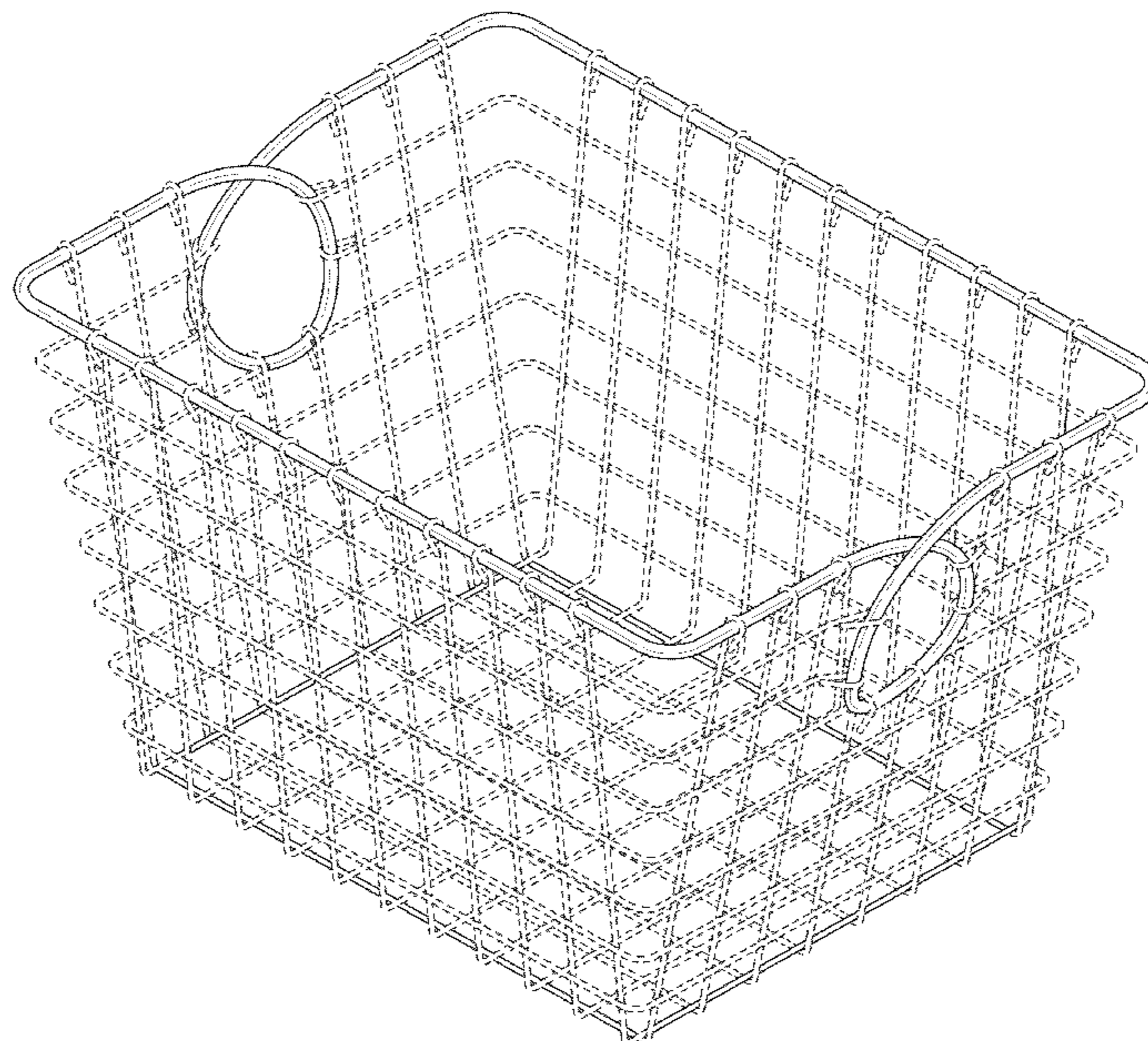
FIG. 13 is a top view of the wire basket of FIG. 8;

FIG. 14 is a bottom view of the wire basket of FIG. 8; and,

FIG. 15 is a perspective view of another embodiment of the
wire basket showing a new design.

The components of the display shown in broken lines illus-
trate portions of the wire basket form no part of the claimed
design.

1 Claim, 7 Drawing Sheets



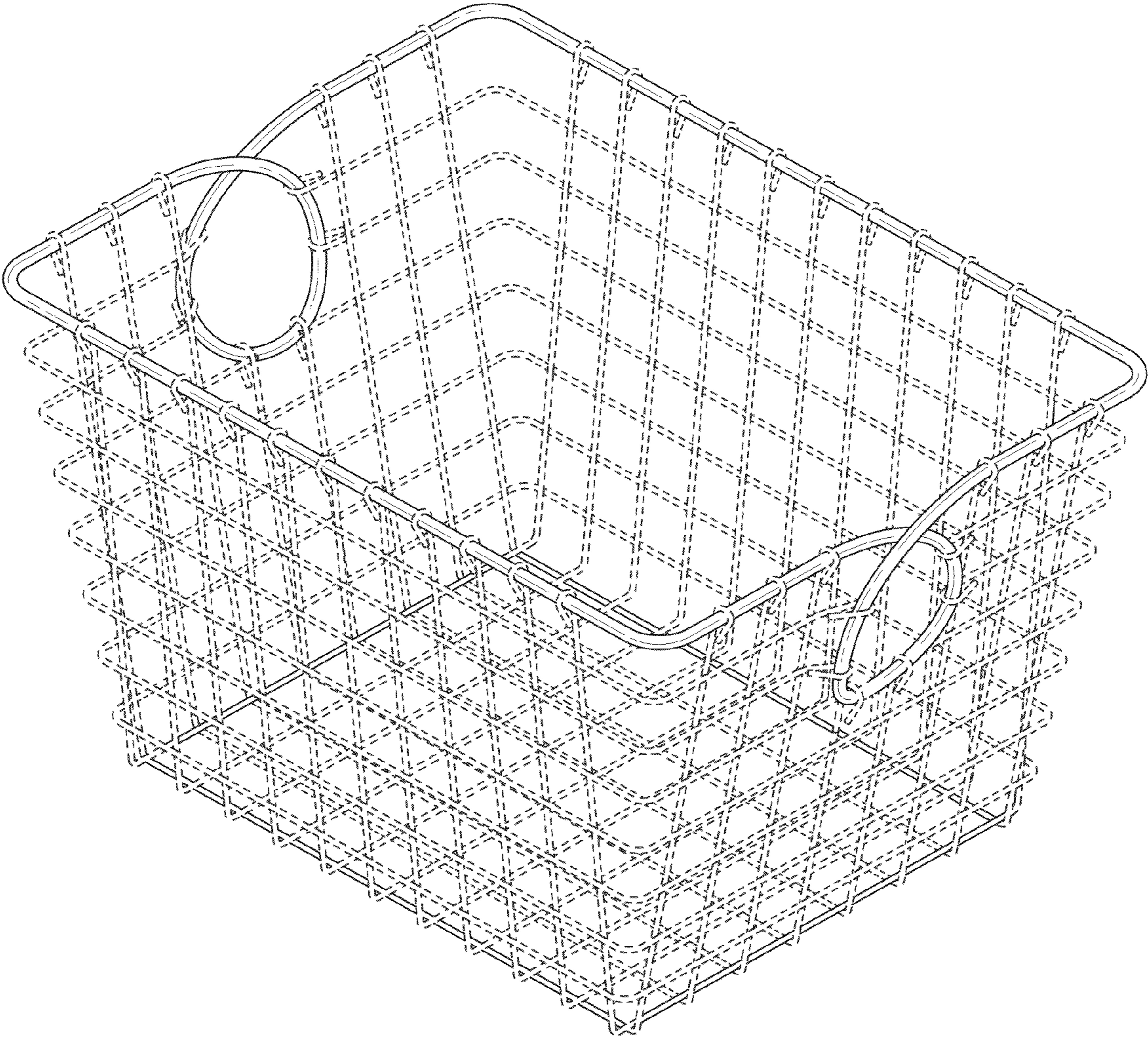


FIG 1

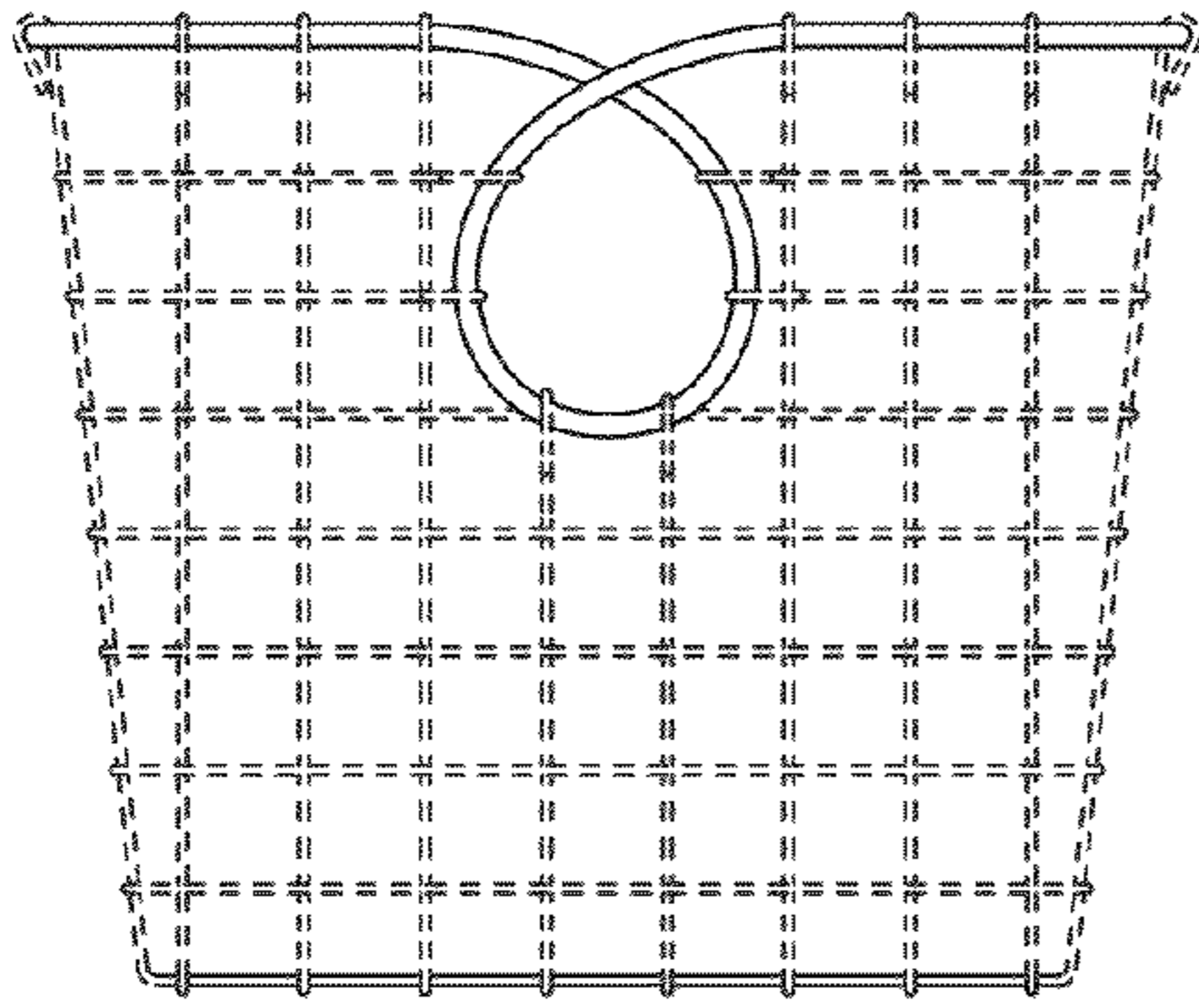


FIG 2

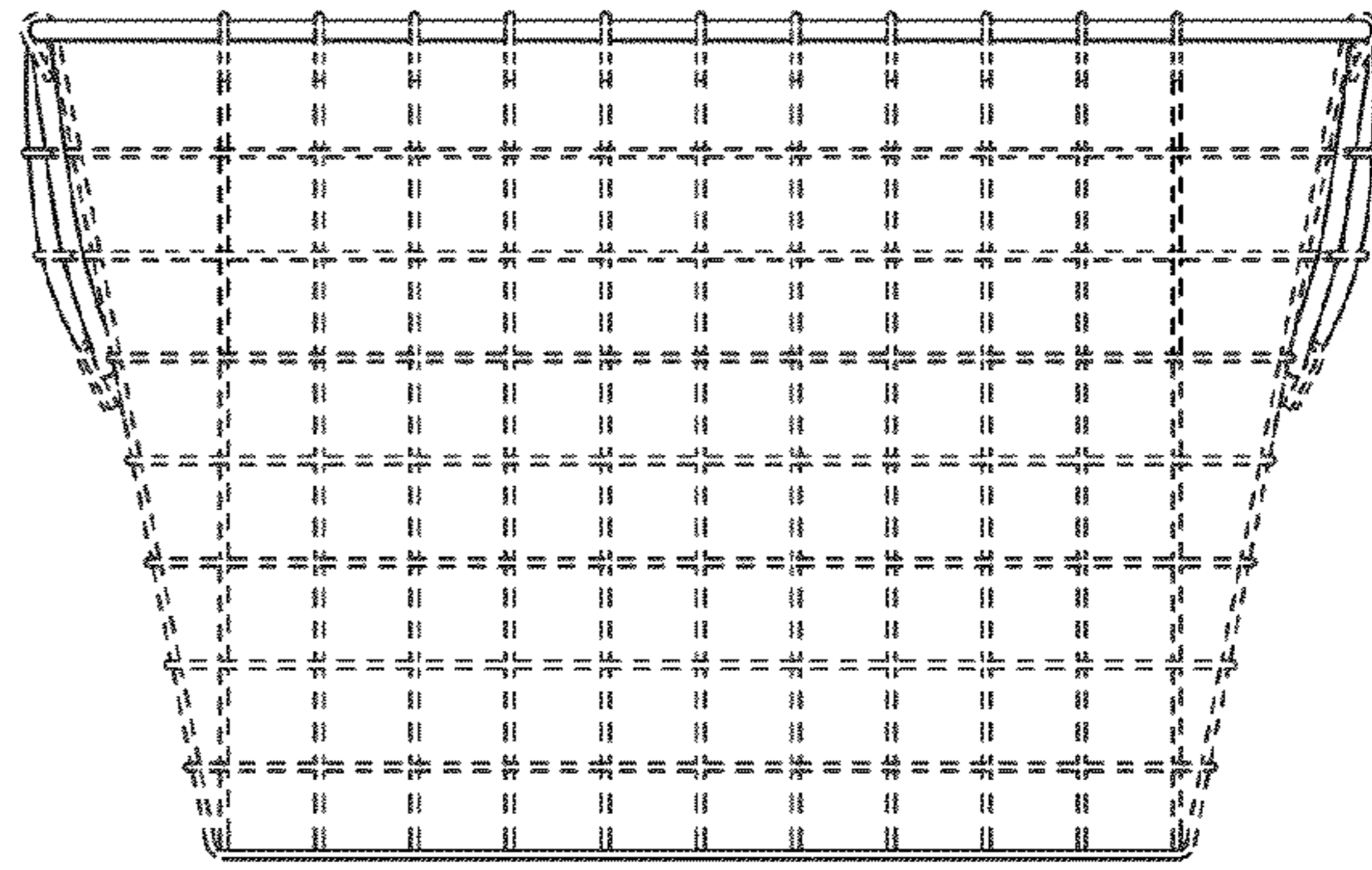


FIG 3

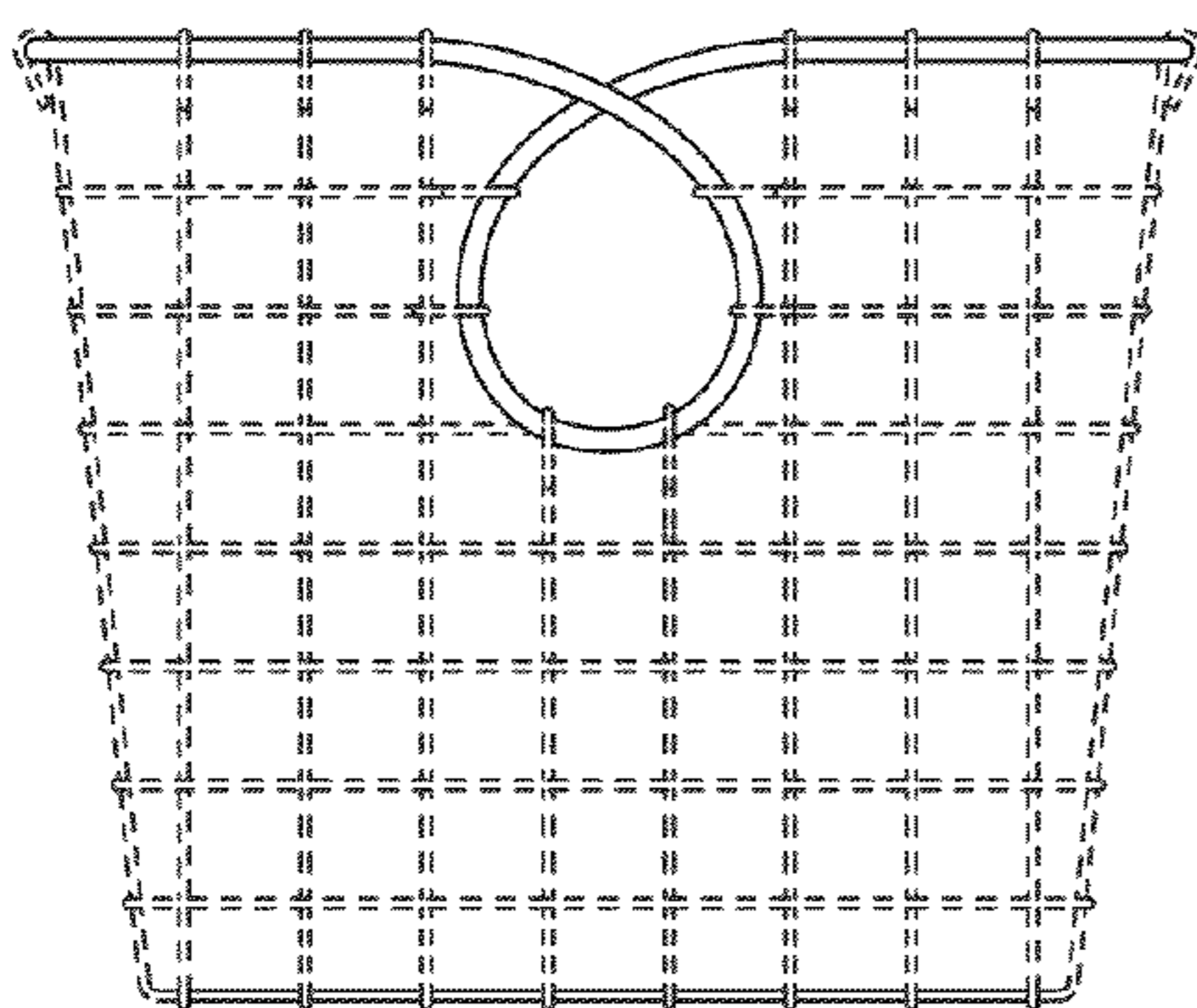


FIG 4

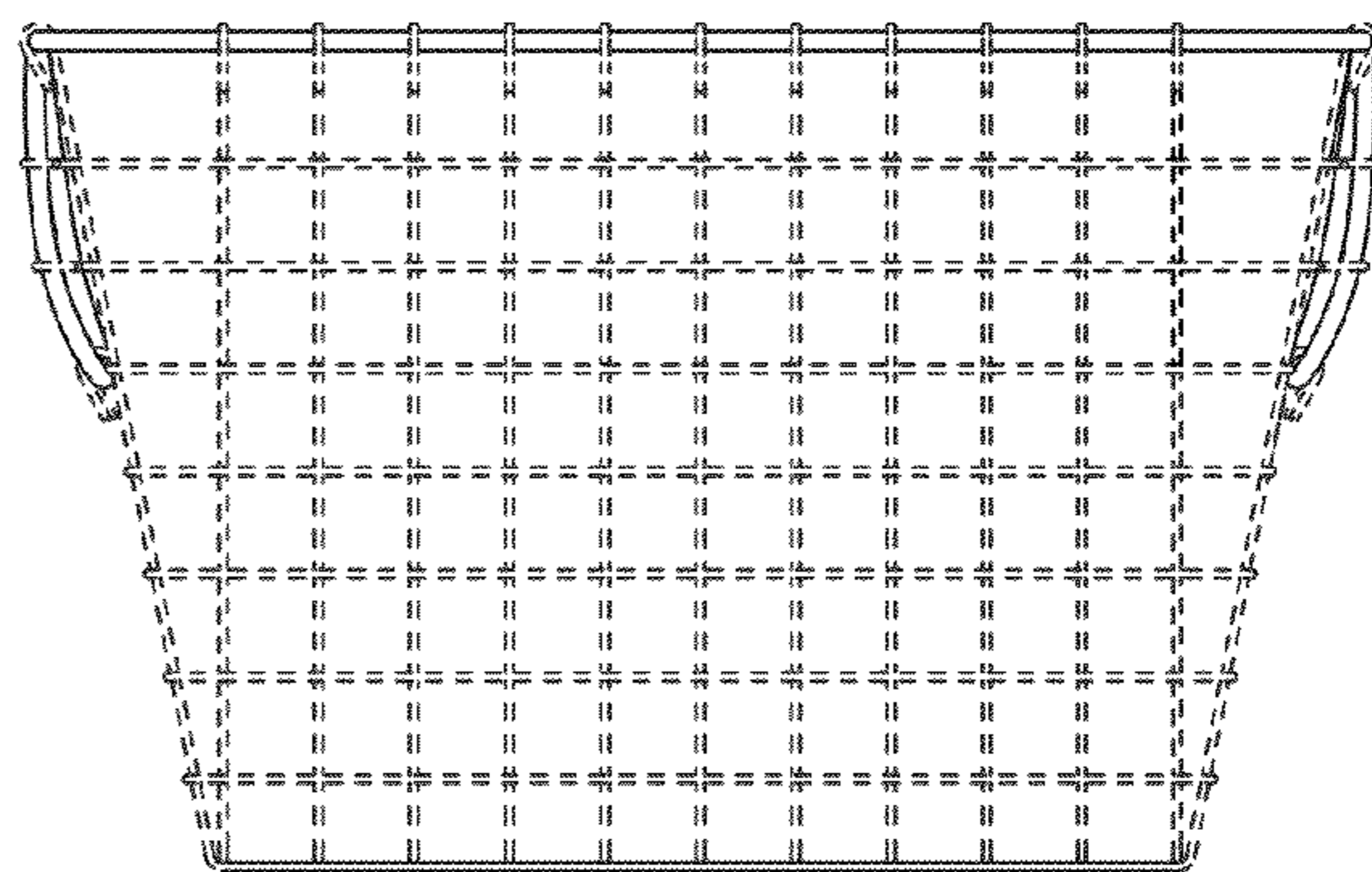


FIG 5

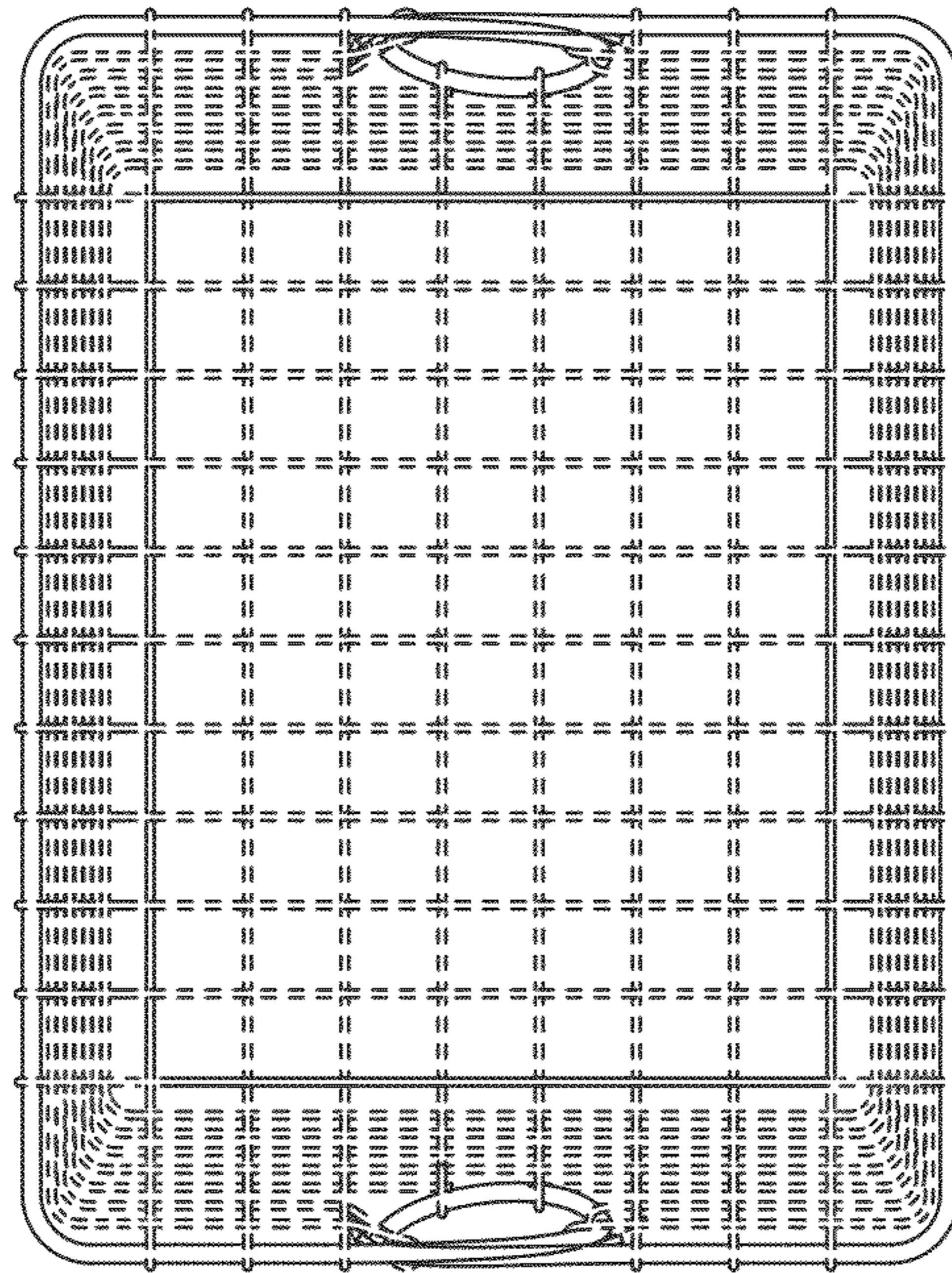


FIG 6

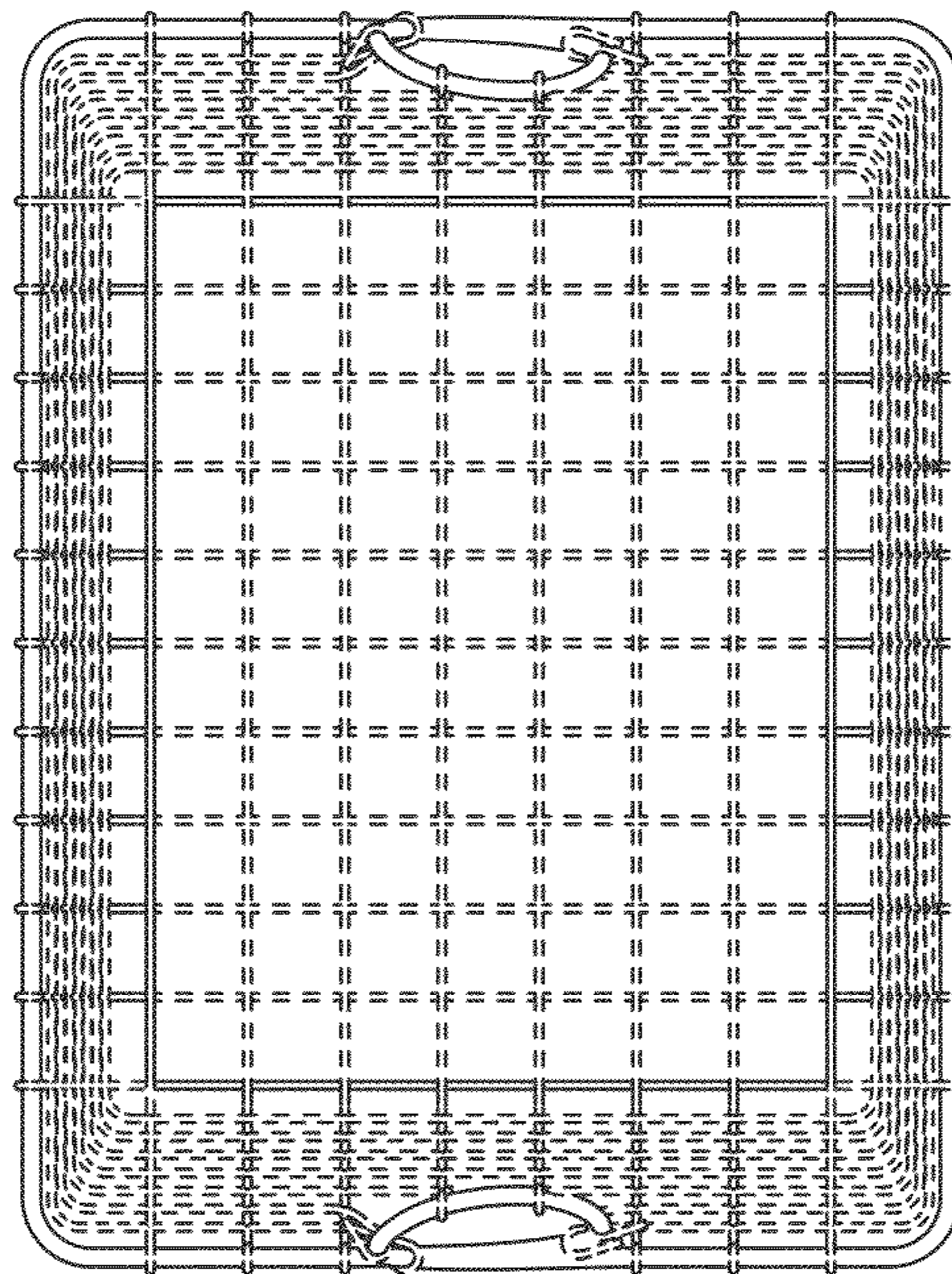


FIG 7

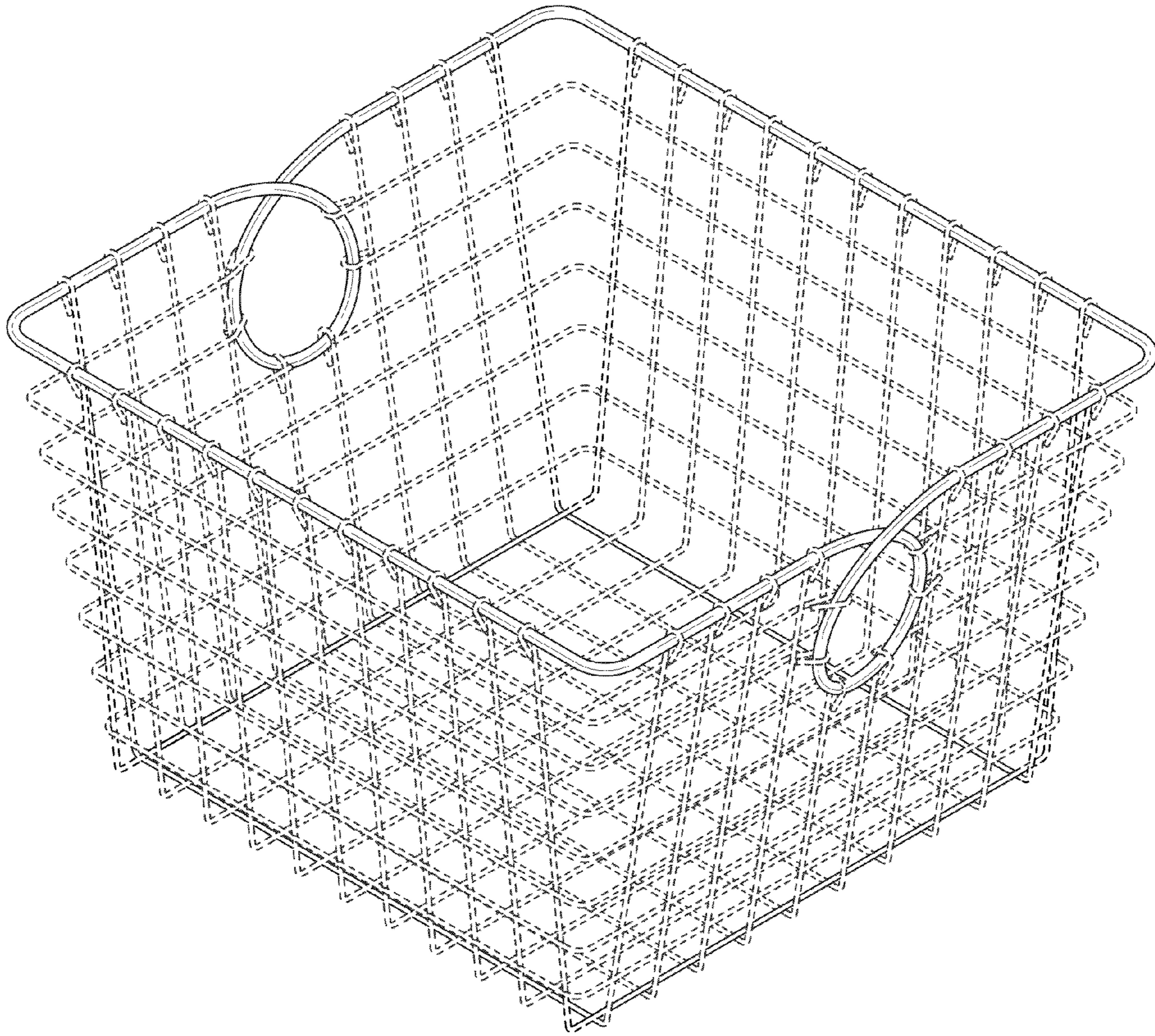


FIG 8

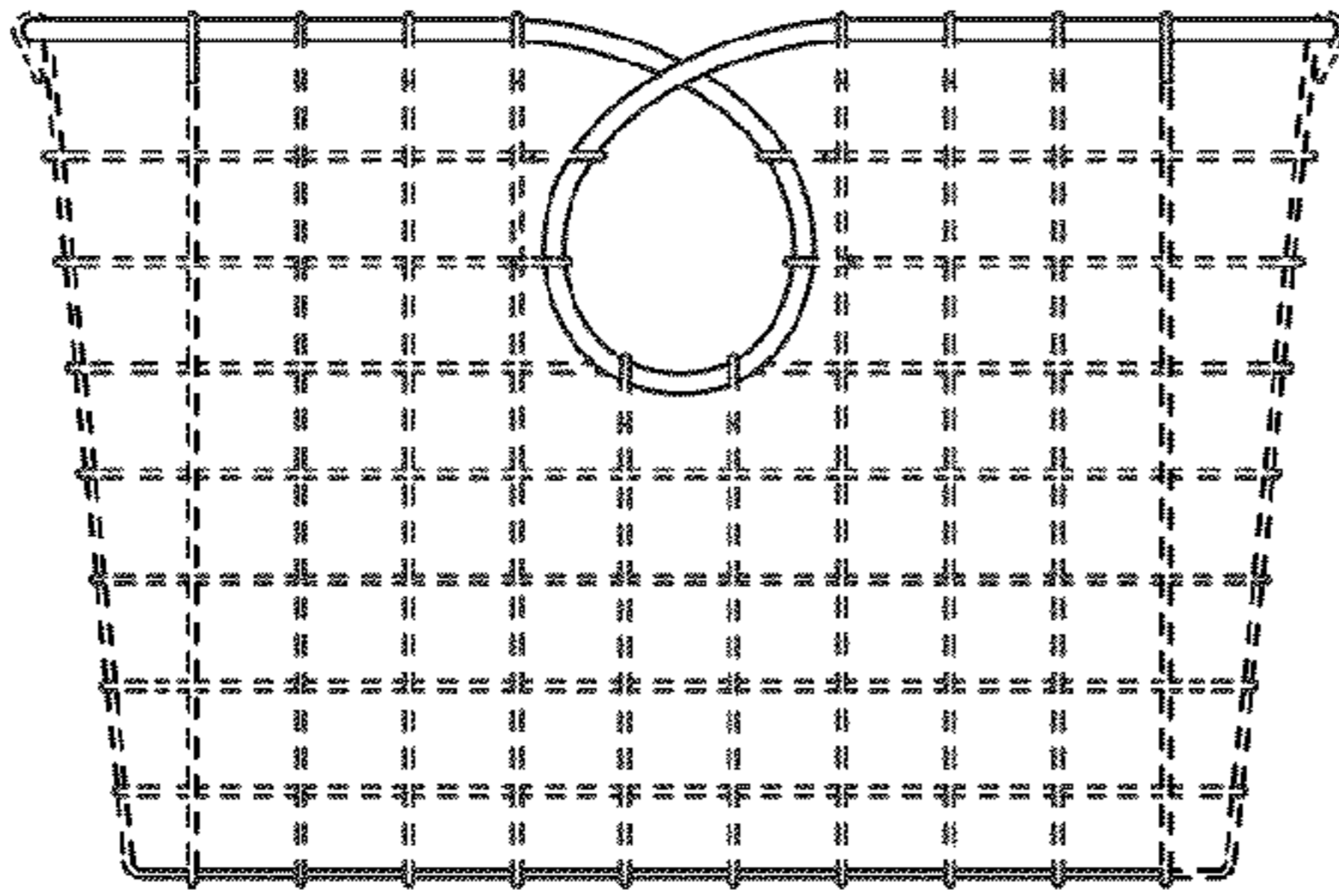


FIG 9

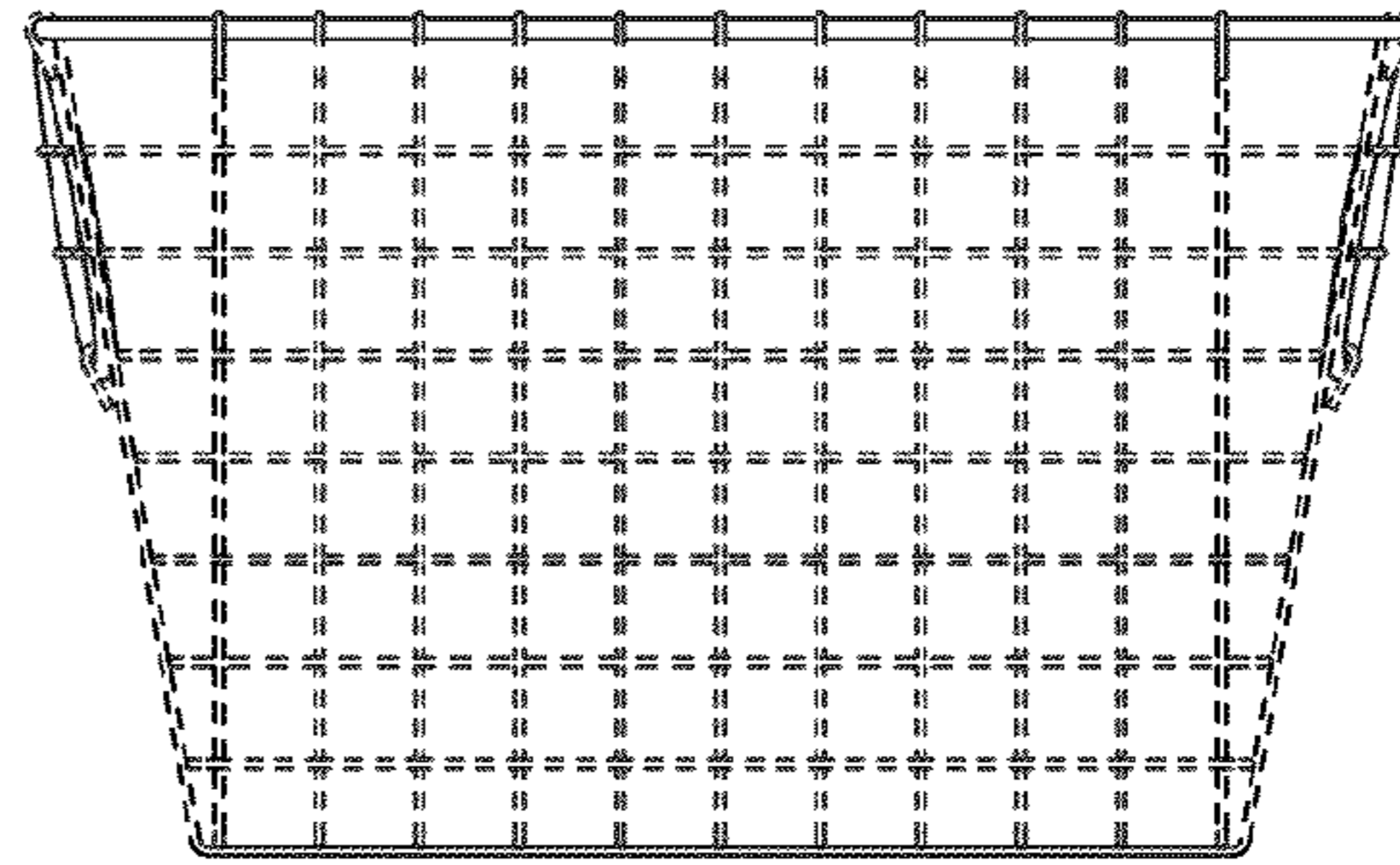


FIG 10

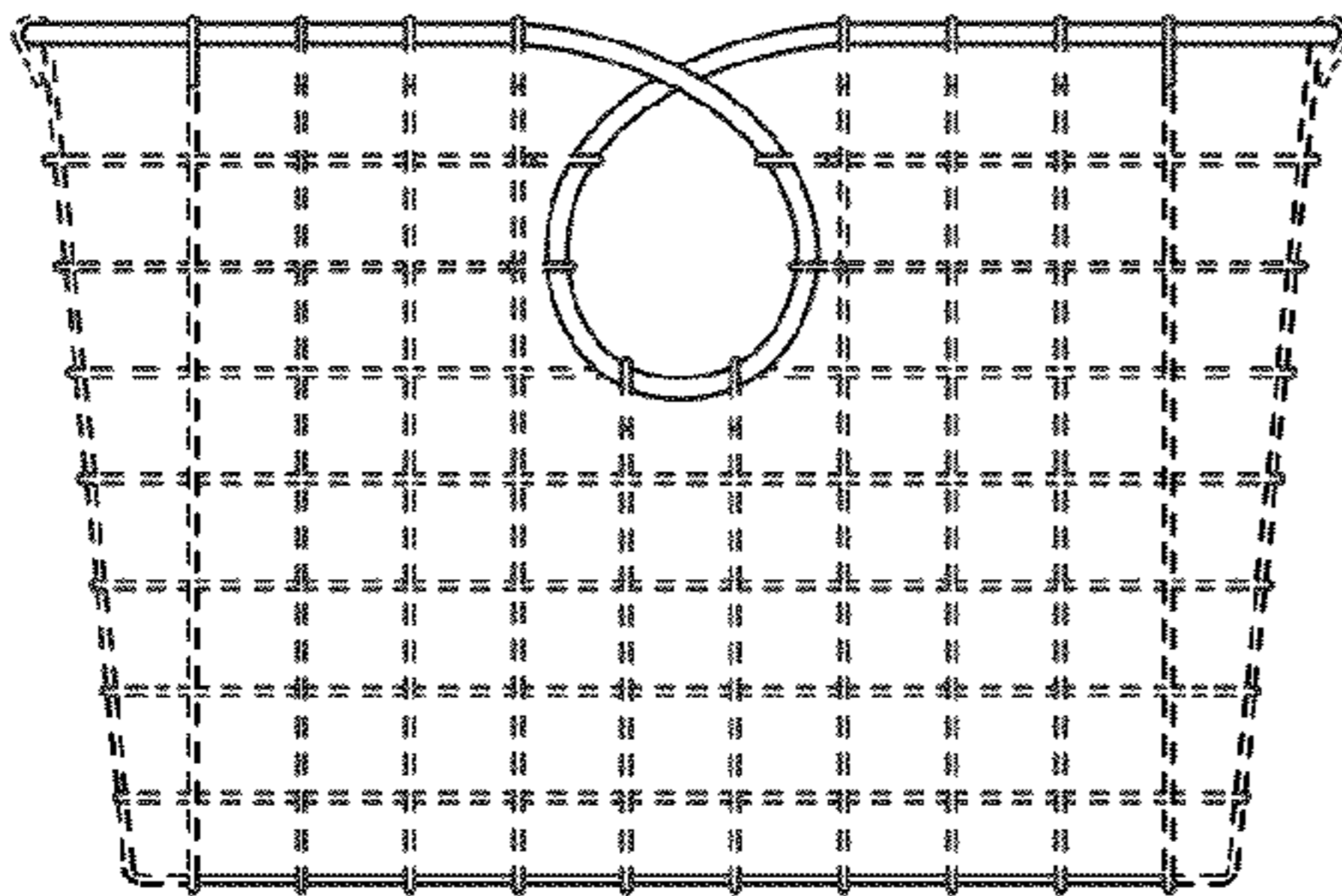


FIG 11

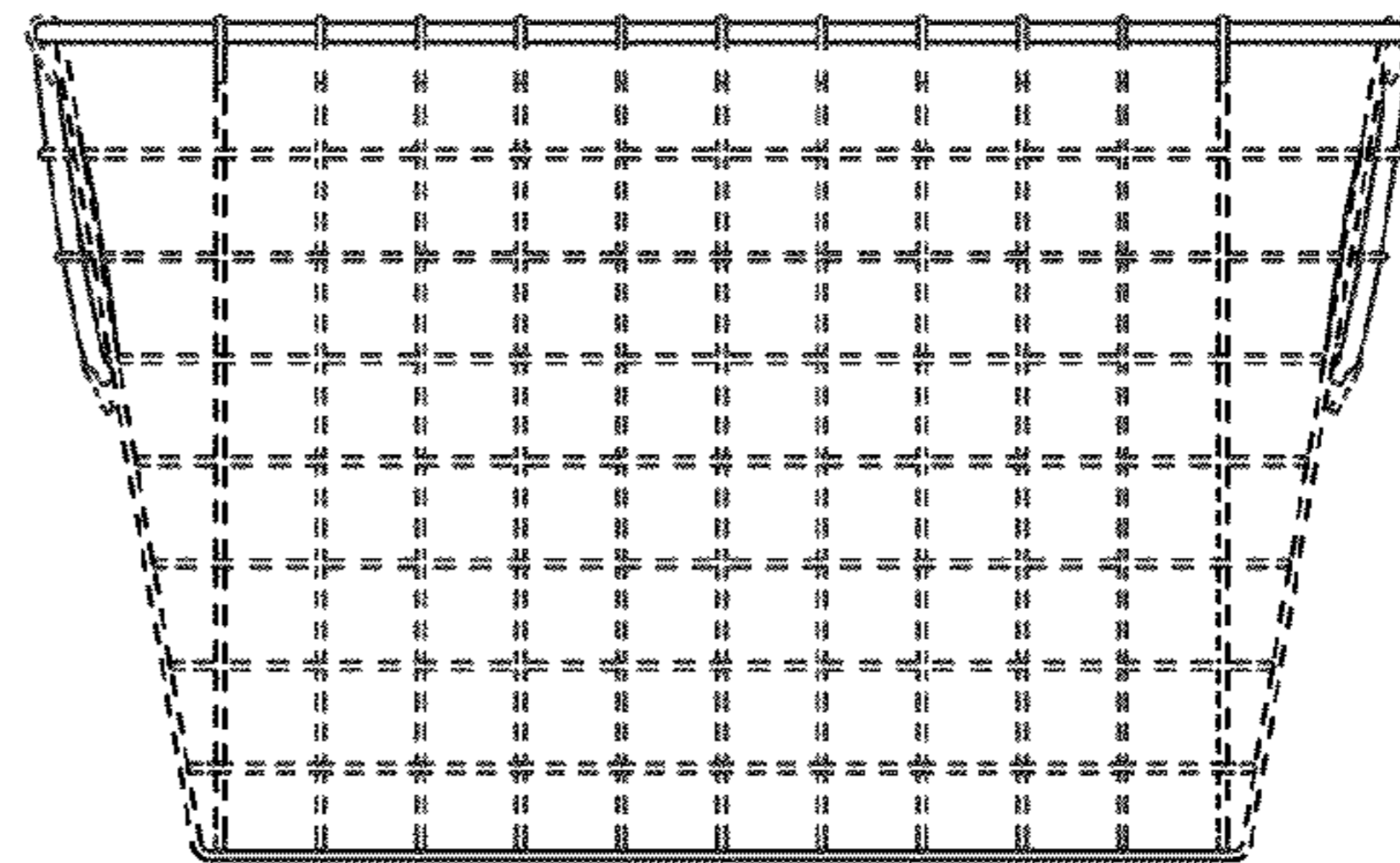


FIG 12

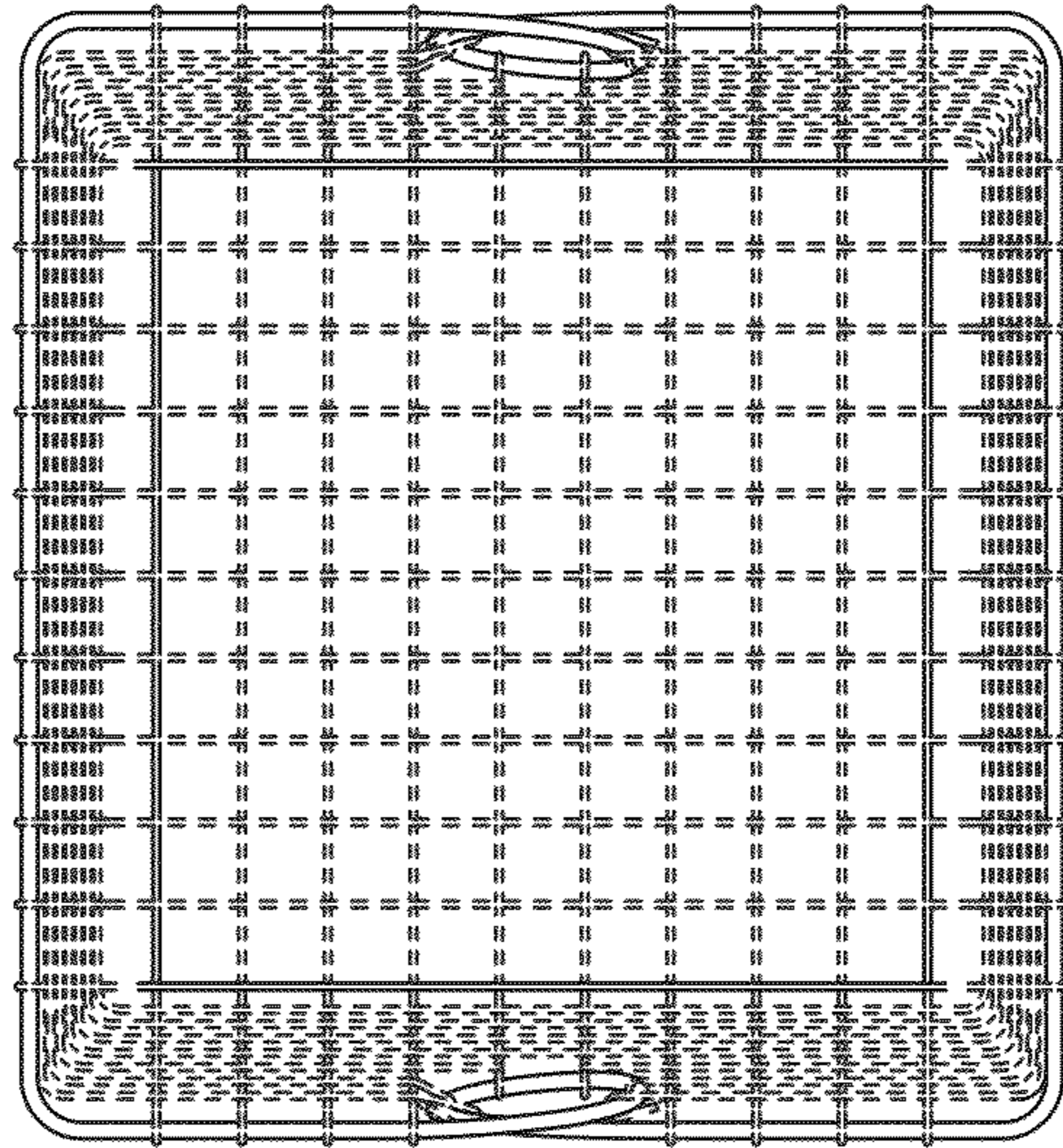


FIG 13

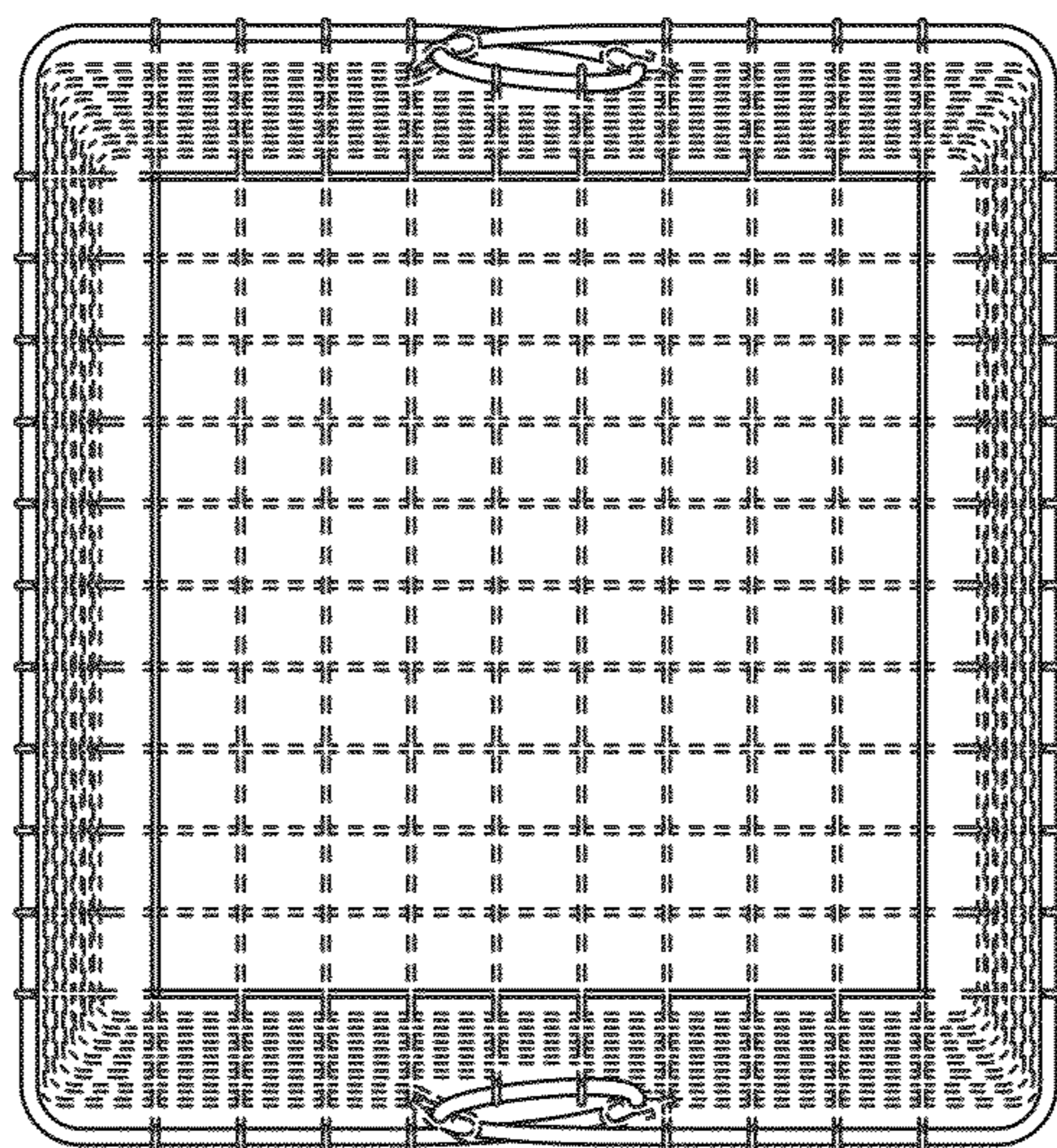


FIG 14

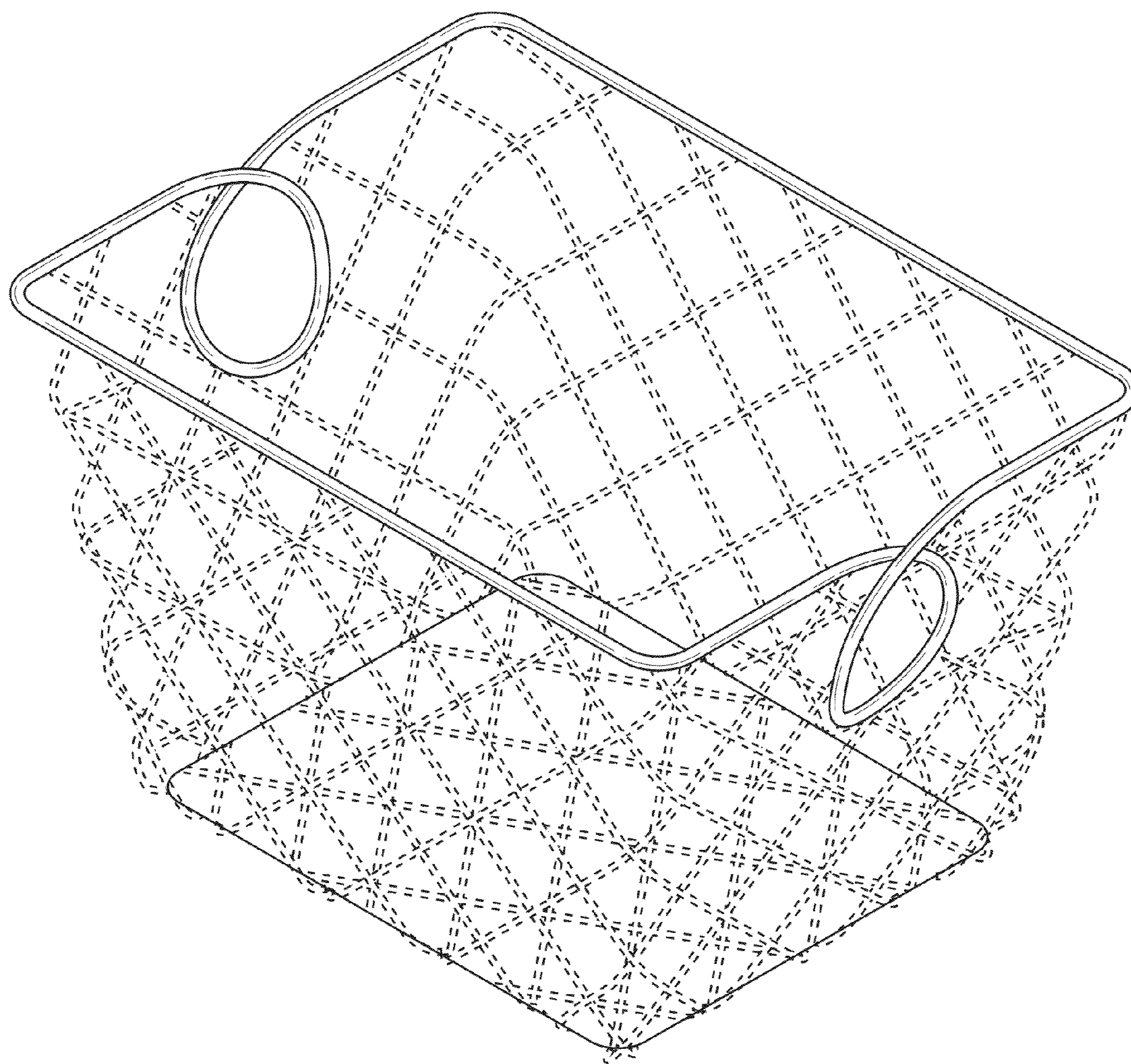


FIG 15