



US00D745279S

(12) **United States Design Patent**
Goodman et al.

(10) **Patent No.:** **US D745,279 S**
(45) **Date of Patent:** **** Dec. 15, 2015**

(54) **BASKET**

D710,124 S * 8/2014 Goodman D3/306
D729,021 S * 5/2015 Goodman D7/704
D736,547 S * 8/2015 Morales D6/678.4

(71) Applicant: **Spectrum Diversified Designs, Inc.**,
Streetsboro, OH (US)

* cited by examiner

(72) Inventors: **Sheldon H. Goodman**, Solon, OH (US);
Phaysouk Xayoiphonh, Akron, OH
(US)

Primary Examiner — Kelley Donnelly

(74) *Attorney, Agent, or Firm* — Renner, Otto, Bioselle &
Sklar, LLP

(73) Assignee: **Spectrum Diversified Designs, Inc.**,
Streetsboro, OH (US)

(57) **CLAIM**

The ornamental design for a basket, as shown and described.

(**) Term: **14 Years**

DESCRIPTION

(21) Appl. No.: **29/488,144**

(22) Filed: **Apr. 16, 2014**

FIG. 1 is a perspective view of a basket showing our new design.

(51) **LOC (10) Cl.** **03-01**

FIG. 2 is a top view thereof in a reduced scale relative to FIG. 1.

(52) **U.S. Cl.**

USPC **D3/304**

FIG. 3 is a front view thereof, a rear view being a mirror image of the front view.

(58) **Field of Classification Search**

USPC D3/304–315; D6/566–567, 525, 537,
D6/540, 572, 574, 511; 206/202, 513, 557

FIG. 4 is a bottom view thereof.

CPC B65D 1/243; B65D 1/0223; B65D 1/38
See application file for complete search history.

FIG. 5 is a right side view thereof, a left side view being a mirror image of the right side view.

FIG. 6 is a cross-section showing the surface contour of a wire element of the basket taken along the line 6-6 in FIG. 5 and shown in an enlarged scale relative to the other figures; and, FIG. 7 is a perspective view of the basket, which is the same as the basket of FIGS. 1-6 but the cross-sectional shape of the wire forming the upper and lower rims is different.

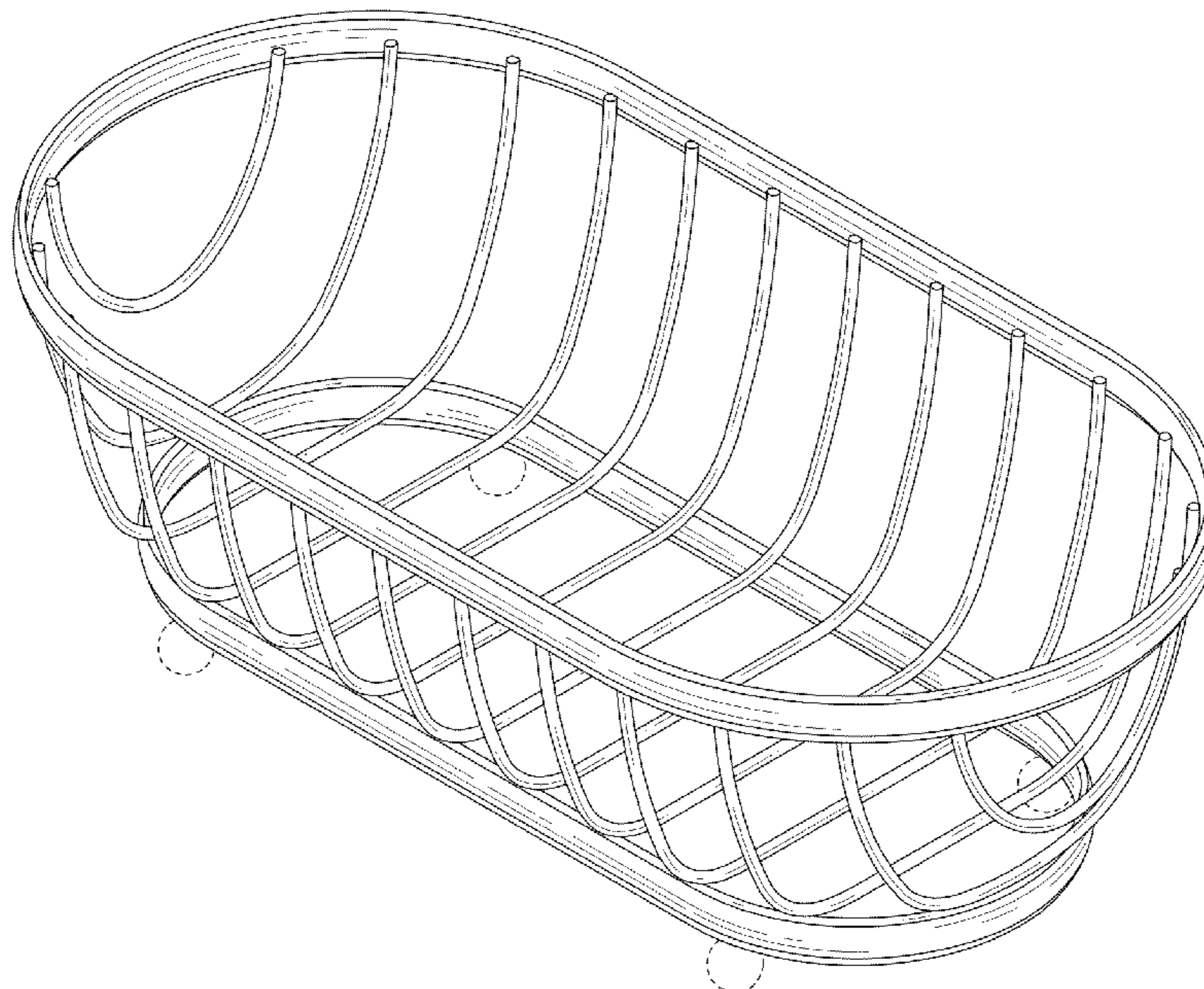
The broken lines shown herein are for illustrative purposes only and form no part of the claimed design.

(56) **References Cited**

U.S. PATENT DOCUMENTS

D371,228 S * 6/1996 Monin D30/121
D634,121 S * 3/2011 Goodman D3/306
D697,371 S * 1/2014 Goodman D3/306
D698,204 S * 1/2014 Goodman D7/601
D707,971 S * 7/2014 Tobaruela D3/304

1 Claim, 4 Drawing Sheets



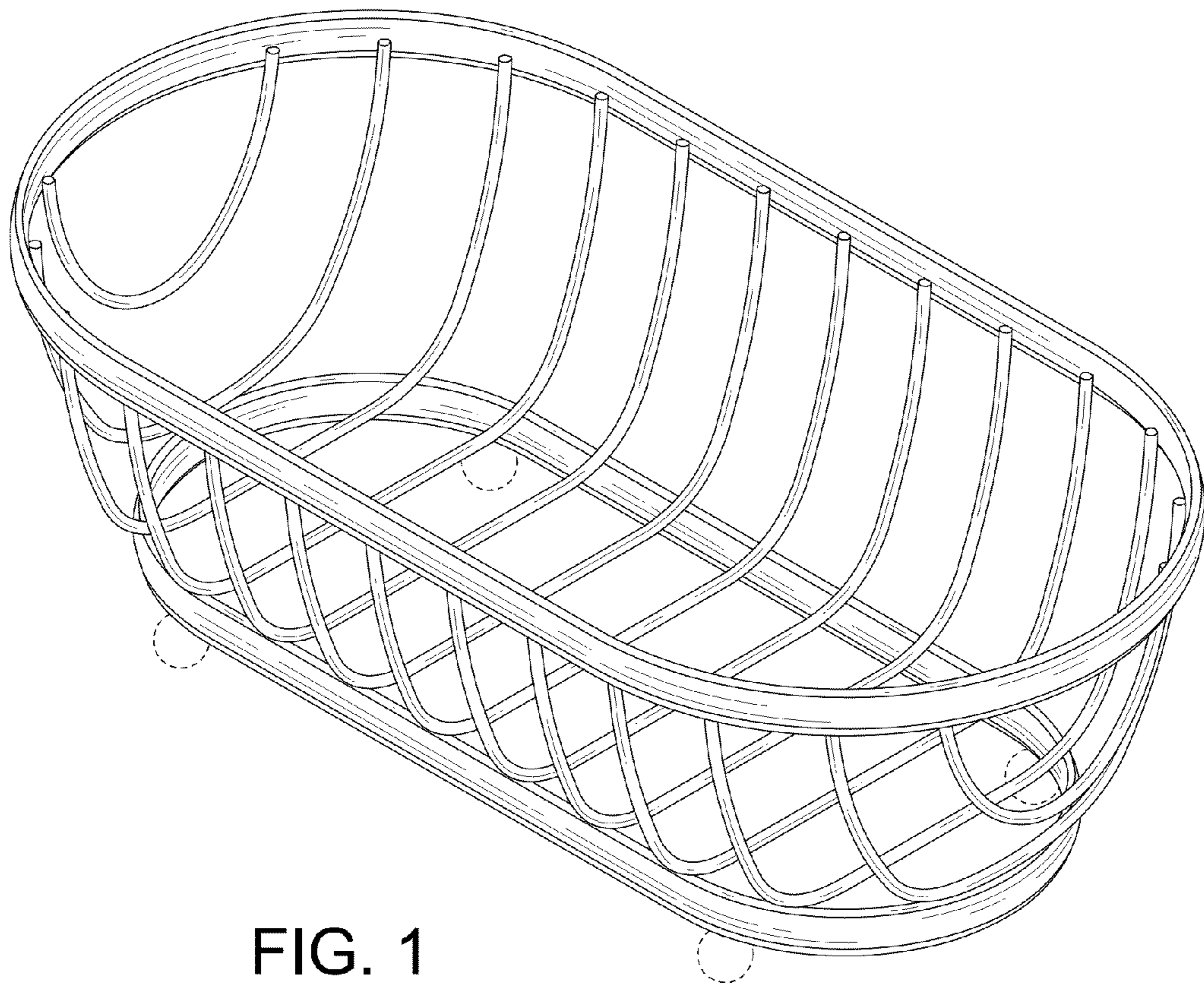


FIG. 1

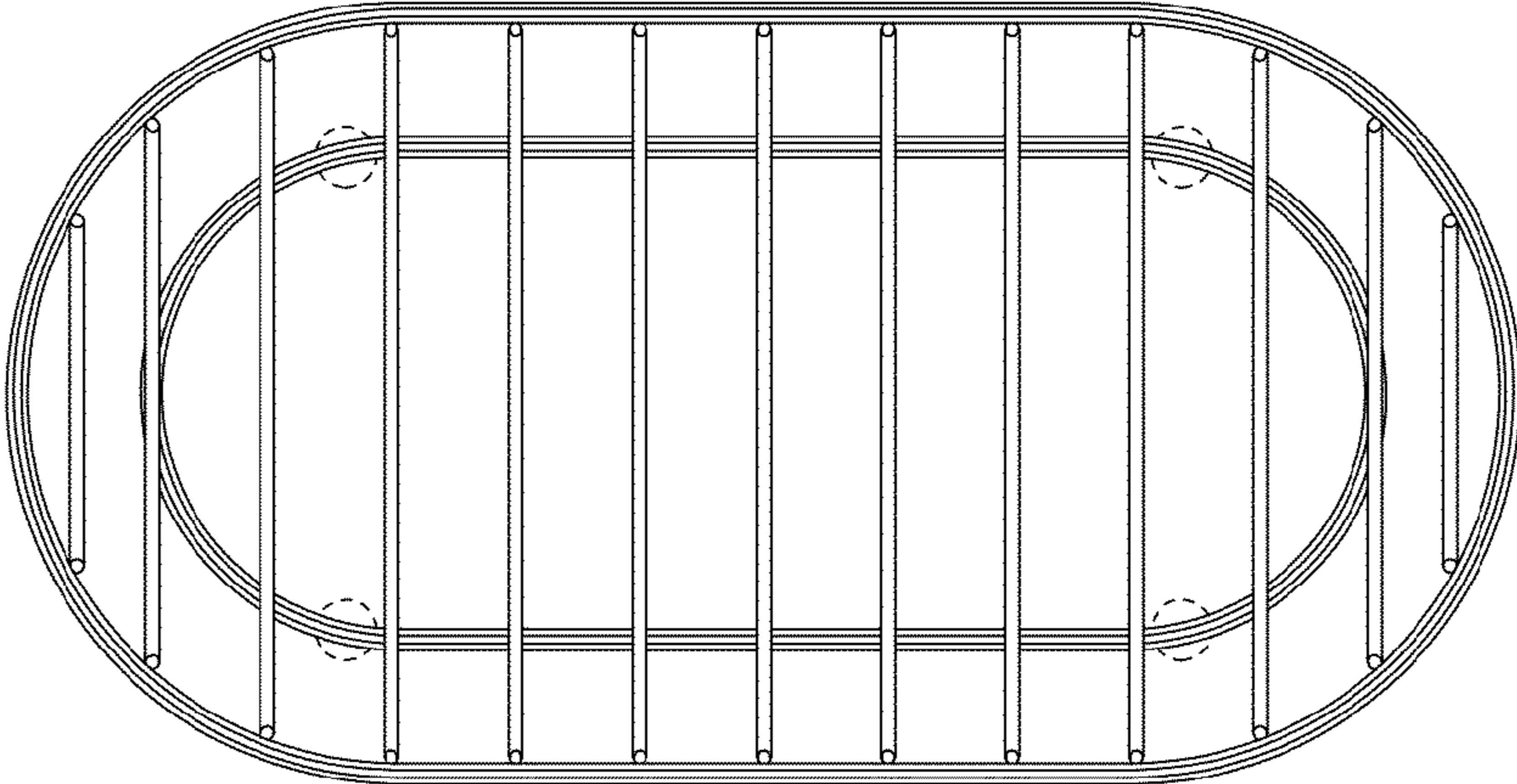


FIG. 2

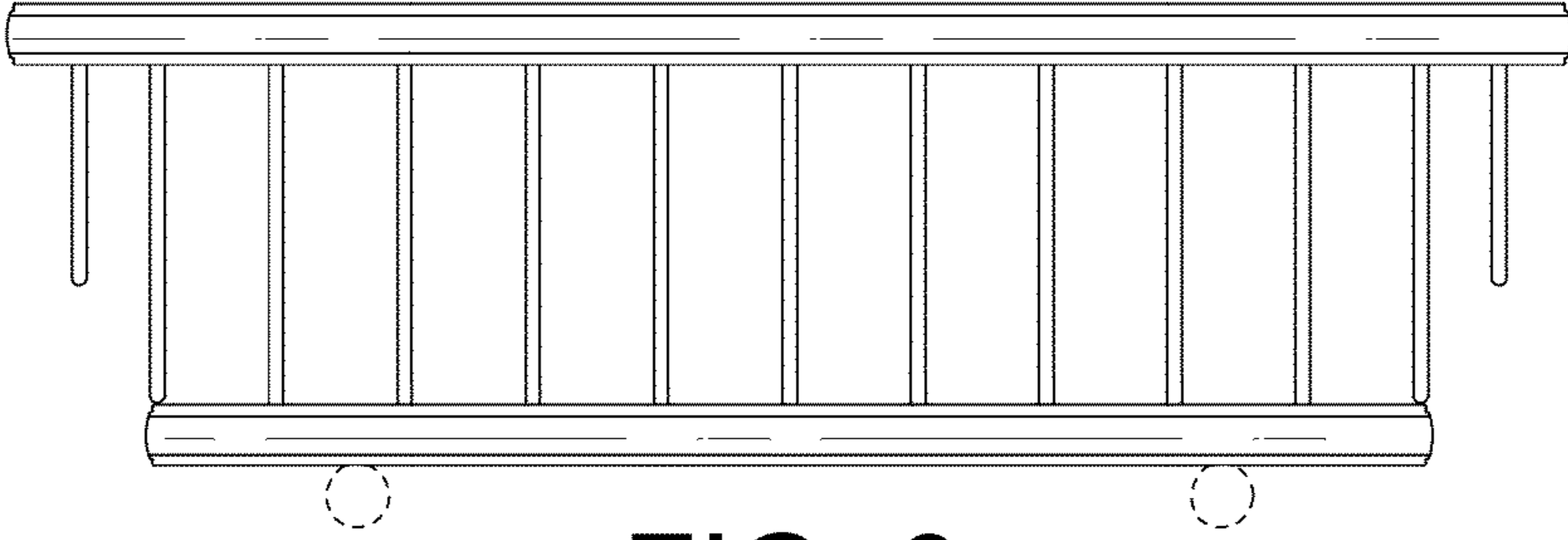


FIG. 3

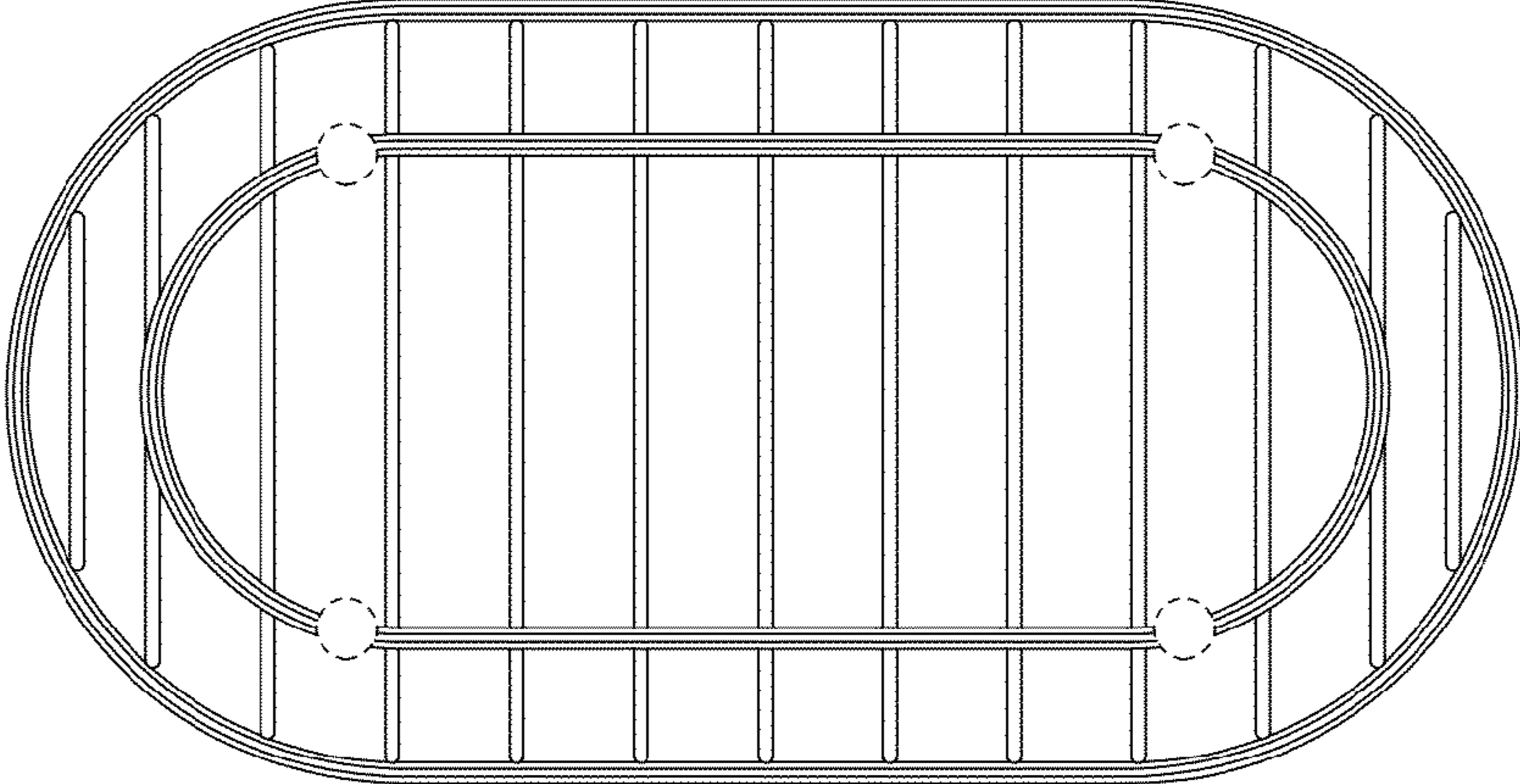


FIG. 4

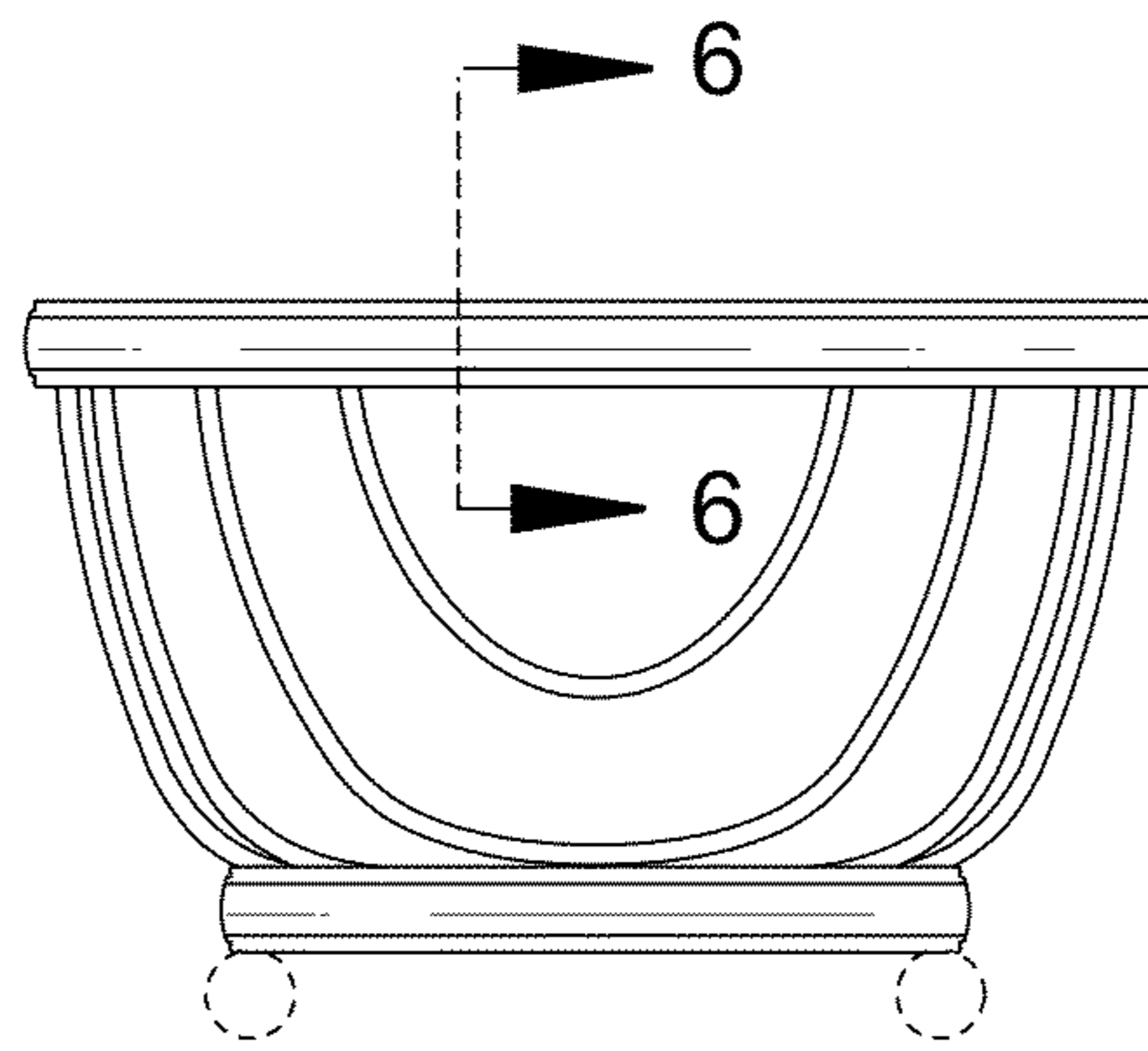


FIG. 5

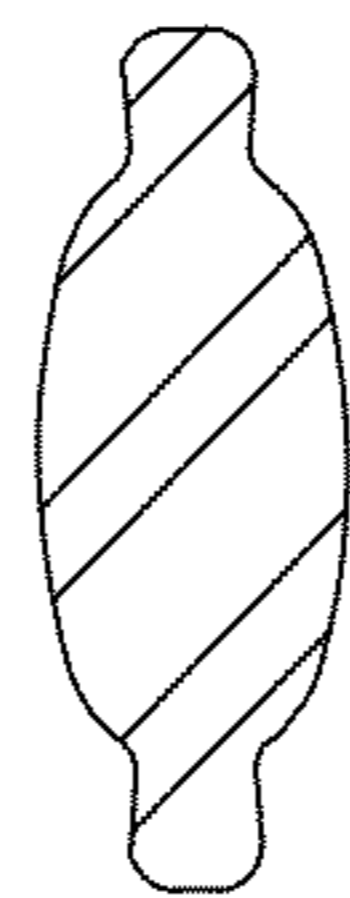


FIG. 6

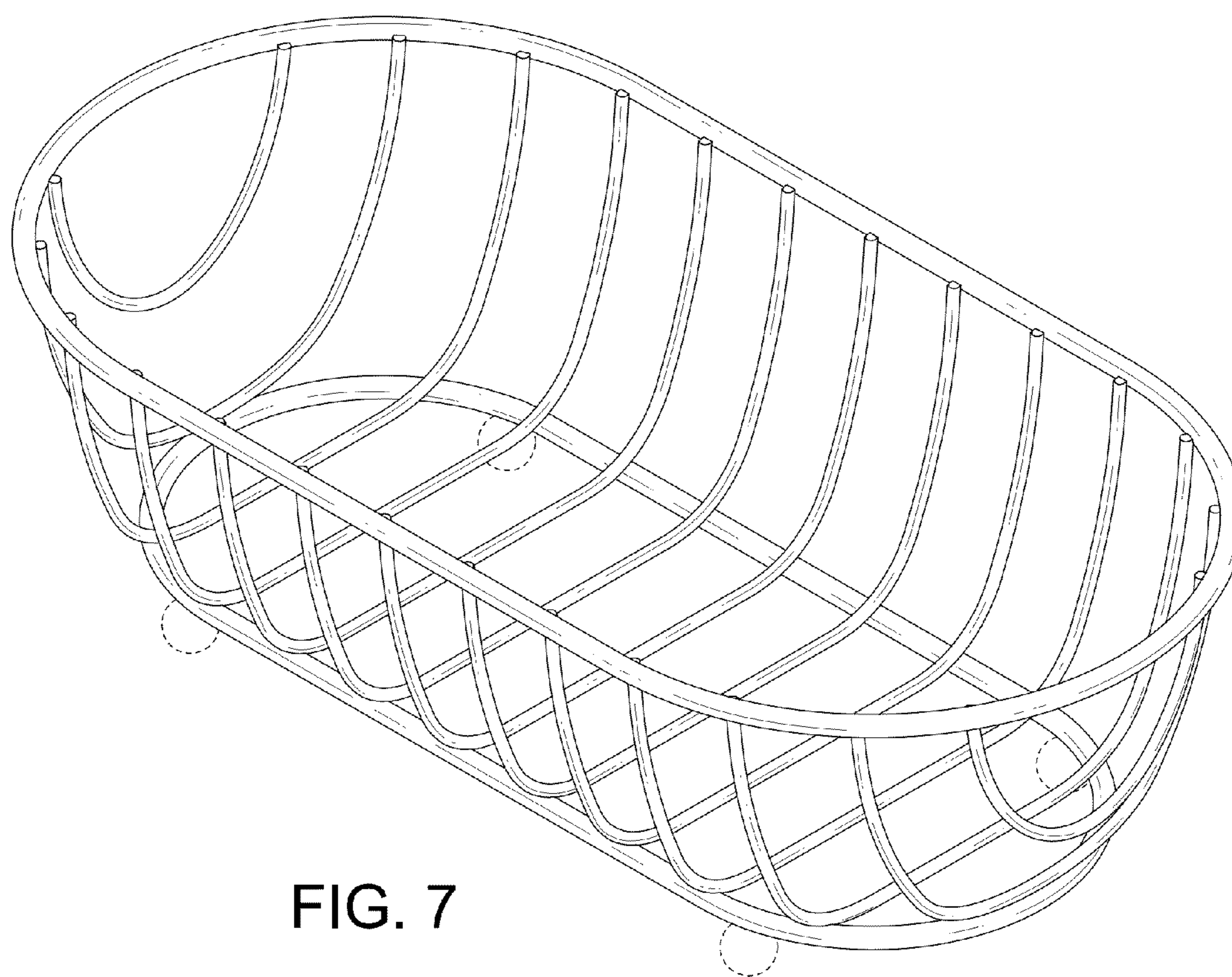


FIG. 7