



US00D745276S

(12) **United States Design Patent**
Wang

(10) **Patent No.:** **US D745,276 S**

(45) **Date of Patent:** **** Dec. 15, 2015**

(54) **STORAGE BOX**

(71) Applicant: **Wen-Tsan Wang**, Taipei (TW)

(72) Inventor: **Wen-Tsan Wang**, Taipei (TW)

(**) Term: **14 Years**

(21) Appl. No.: **29/497,907**

(22) Filed: **Jul. 29, 2014**

(51) **LOC (10) Cl.** **03-01**

(52) **U.S. Cl.**

USPC **D3/273**; D3/276; D3/298

(58) **Field of Classification Search**

USPC D3/273, 276, 278, 283, 284, 285, 286,
D3/287, 288, 289, 290, 291, 293, 299, 301,
D3/905, 904, 901, 302, 297; D6/675, 683;
D19/86, 75

CPC A47B 43/00; A45C 3/00; A45C 3/001;
A45C 11/00; A45C 13/103; A45C 3/004

See application file for complete search history.

(56) **References Cited**

U.S. PATENT DOCUMENTS

D315,638 S *	3/1991	Pennell	D6/635
D327,913 S *	7/1992	Ancona et al.	D19/75
D332,745 S *	1/1993	Koloski	D3/302
D372,673 S *	8/1996	Turner	D3/302
D441,530 S *	5/2001	Elmore	D3/273
D494,758 S *	8/2004	DeCarlo et al.	D3/302
D515,313 S *	2/2006	Uffner et al.	D3/294
D515,810 S *	2/2006	Terwelp	D3/276
D583,172 S *	12/2008	Cassel	D3/297
D646,057 S *	10/2011	Loaiza	D3/273
D652,652 S *	1/2012	Stewart	D6/659

D691,804 S *	10/2013	Wang	D3/294
D708,439 S *	7/2014	Wang	D3/295
D723,618 S *	3/2015	Rowe et al.	D19/86

OTHER PUBLICATIONS

Young House Love. "Adding Some Shallow Shoe Storage by the Door." Posted Aug. 1, 2011. (<http://www.younghouselove.com/2011/08/shoo-shoes-dont-bother-me>).*

Amazon.com. "Golbe-Weis Fiberboard Transfer Case..." Reviewed on Nov. 10, 2006. (<http://www.amazon.com/Globe-Weis-Fiberboard-Transfer-591-GRE/dp/B0006OLXF6>).*

* cited by examiner

Primary Examiner — Jennifer Rivard

Assistant Examiner — April Rivas

(74) *Attorney, Agent, or Firm* — Leong C. Lei

(57) **CLAIM**

The ornamental design for a storage box, as shown and described.

DESCRIPTION

FIG. 1 is a front perspective view of a storage box showing my new design;

FIG. 2 is a front elevational view thereof;

FIG. 3 is a rear elevational view thereof;

FIG. 4 is a left elevational view thereof;

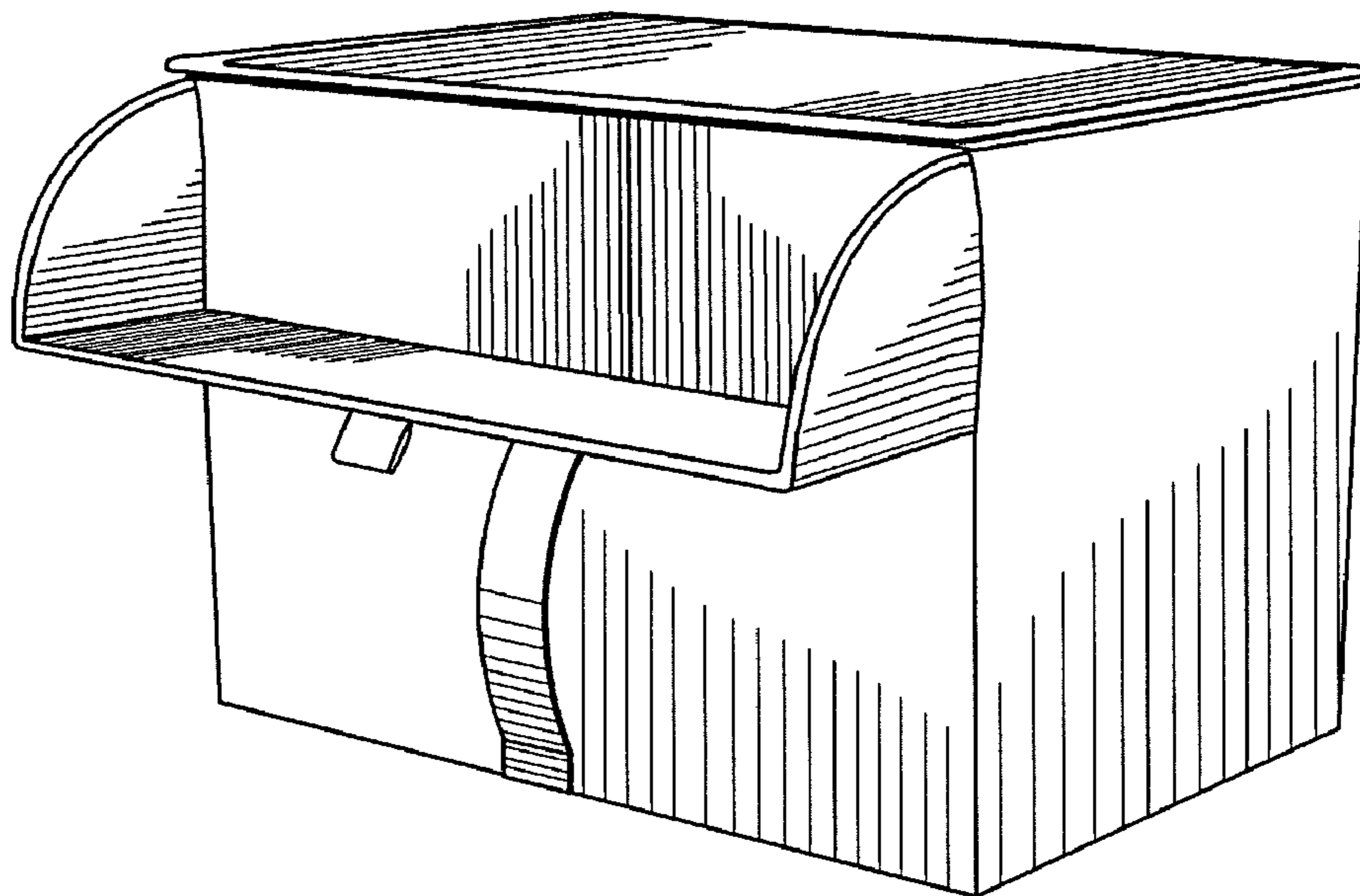
FIG. 5 is a right elevational view thereof;

FIG. 6 is a top plan view thereof; and,

FIG. 7 is a bottom plan view thereof.

The broken lines illustrate portions of the storage box and form no part of the claimed design.

1 Claim, 4 Drawing Sheets



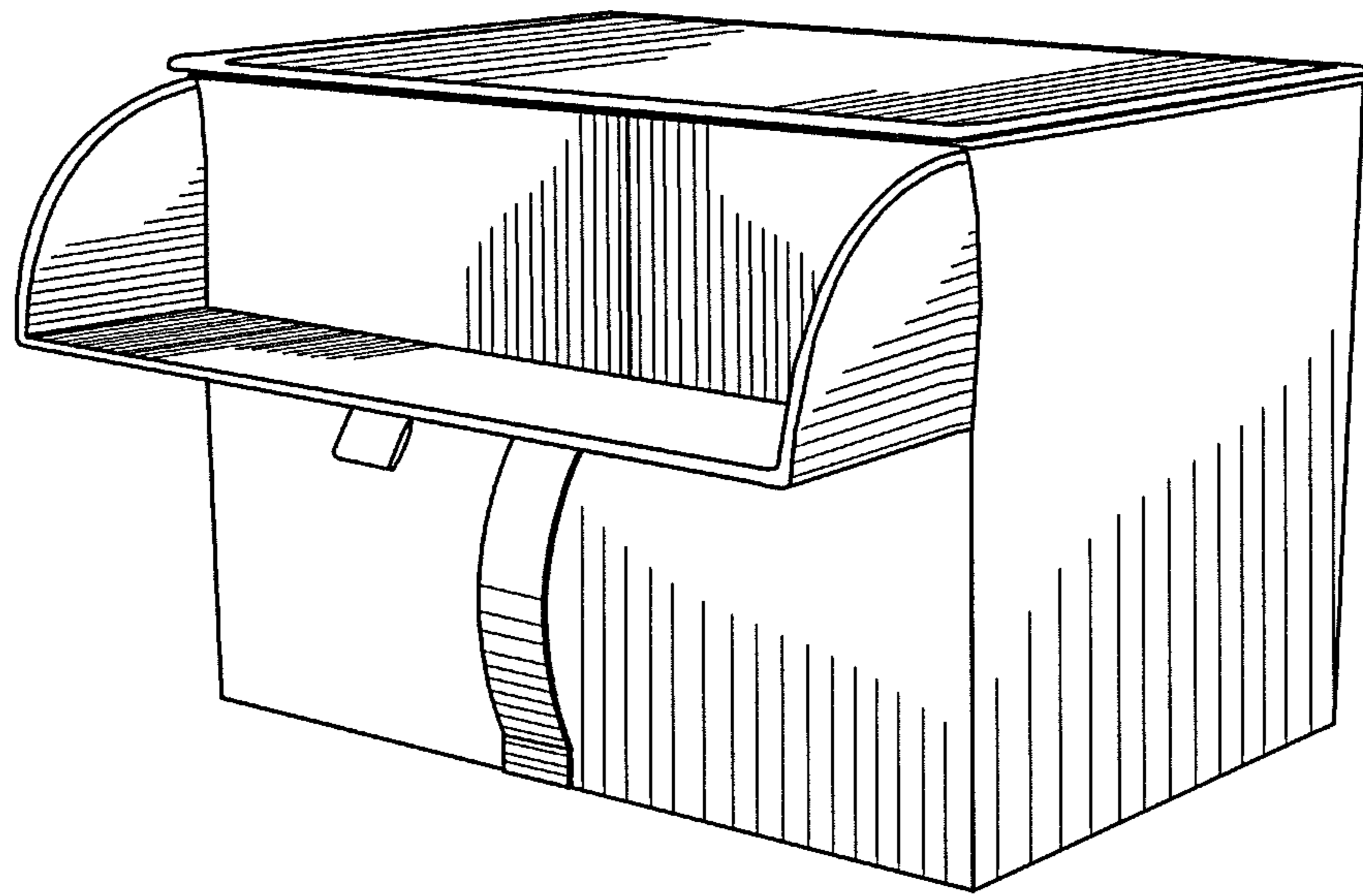


FIG. 1

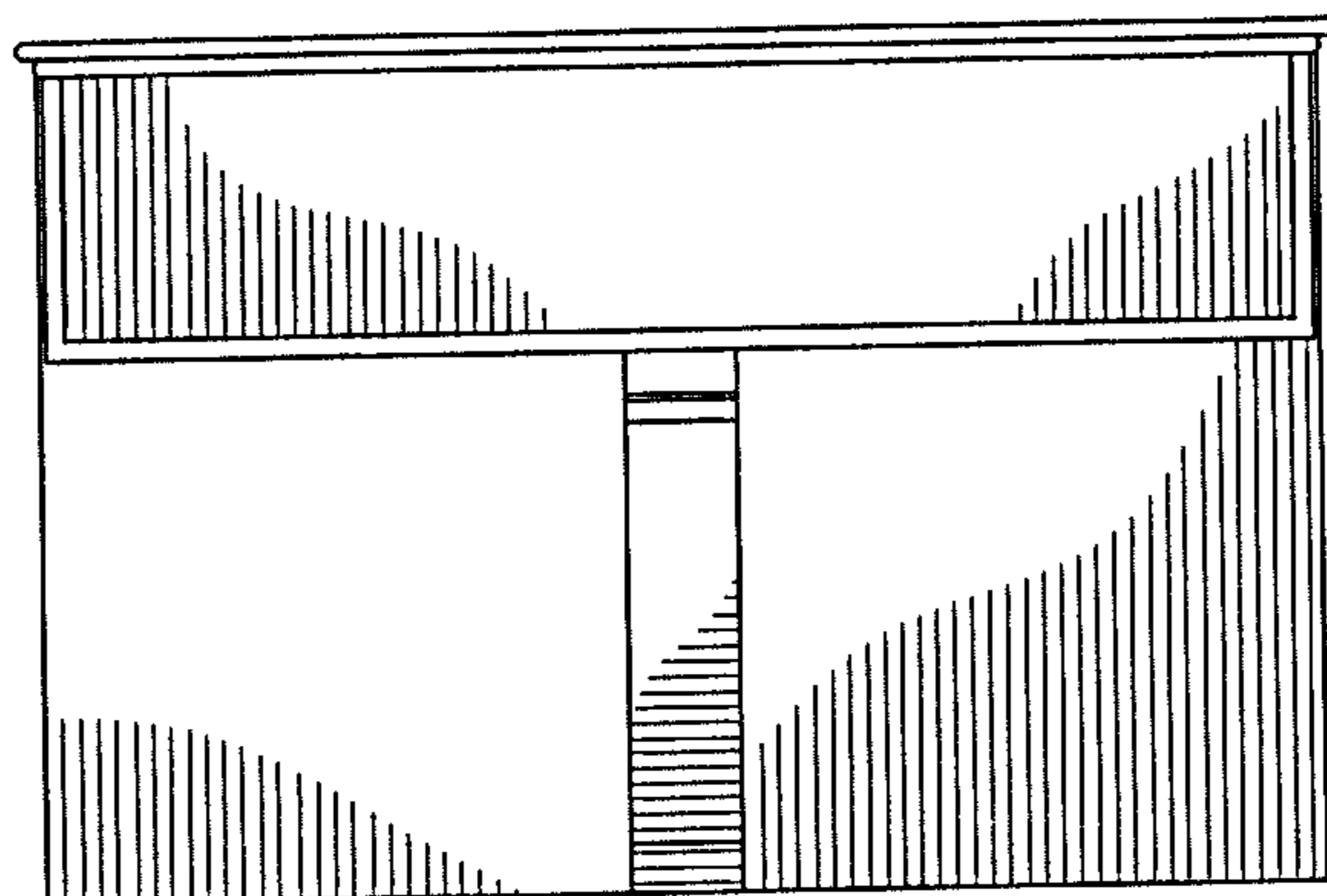


FIG. 2

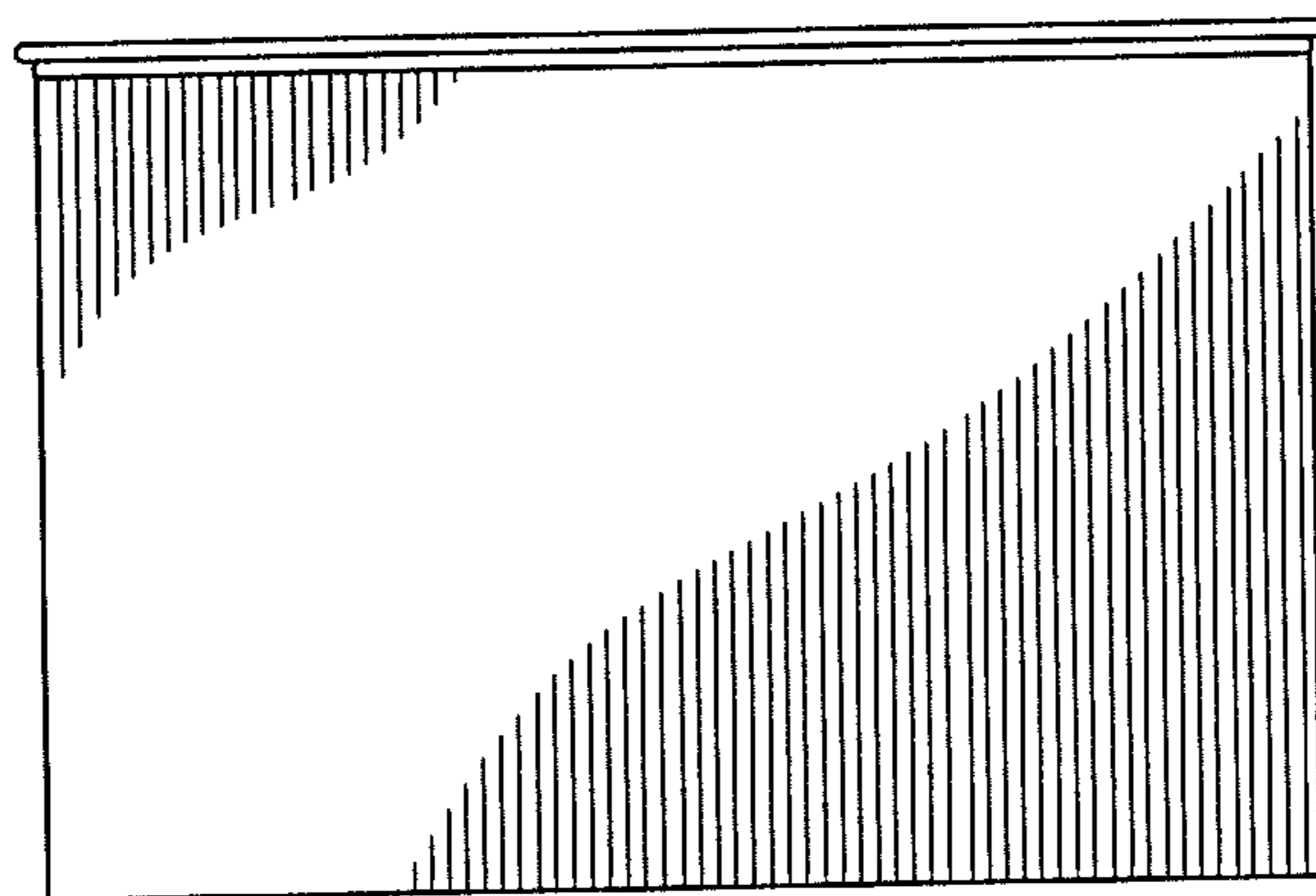


FIG. 3

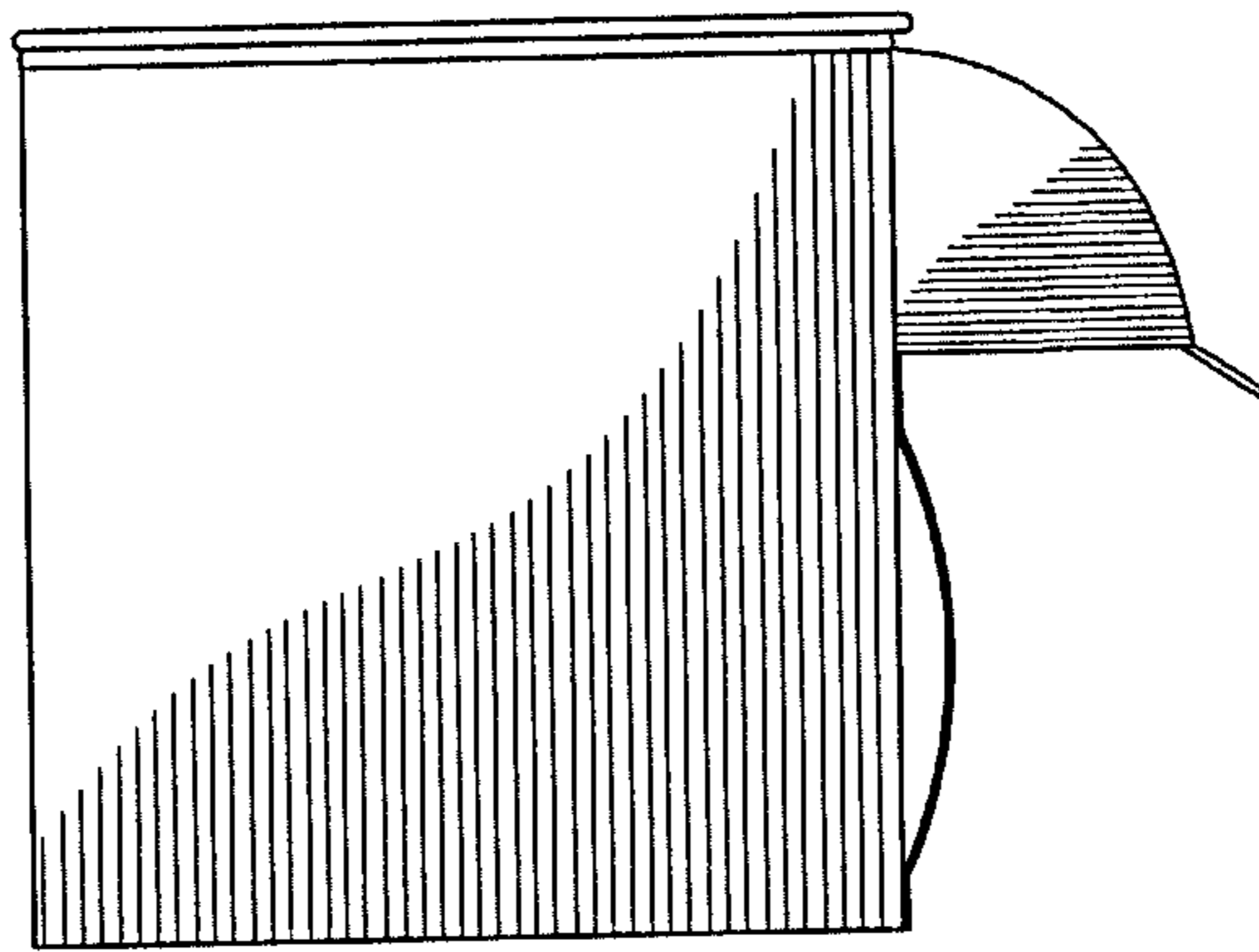


FIG. 4

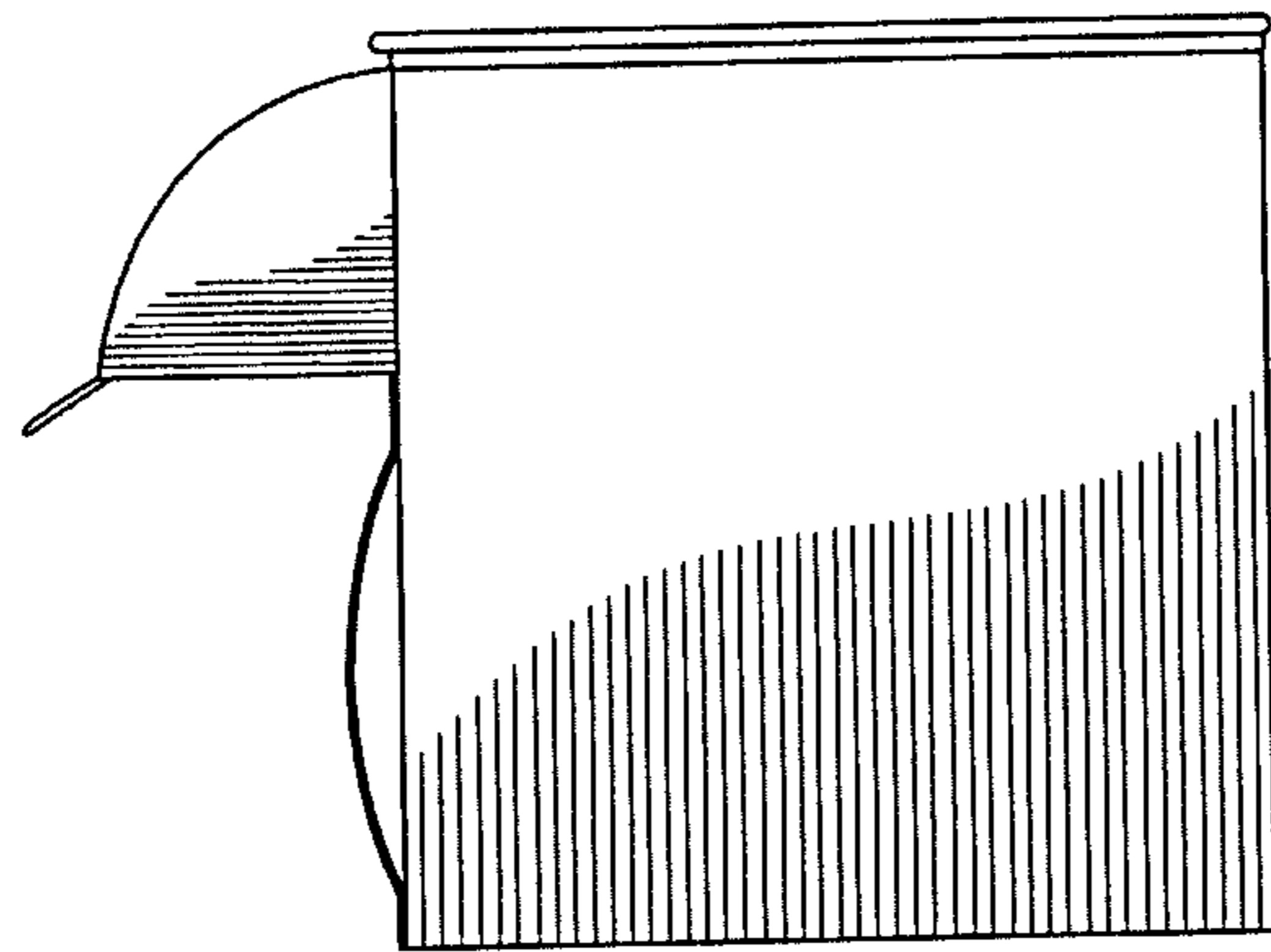


FIG. 5

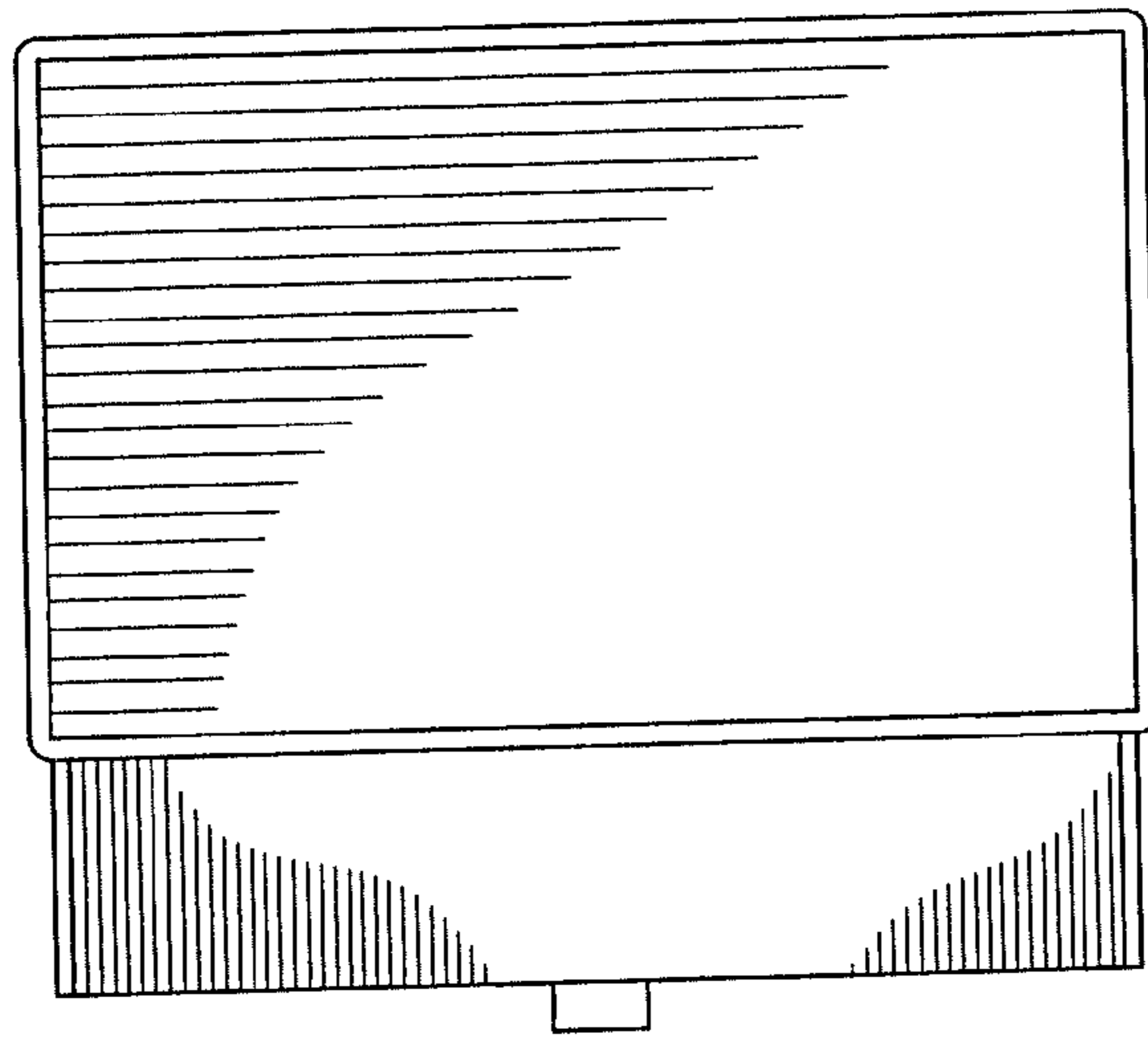


FIG. 6

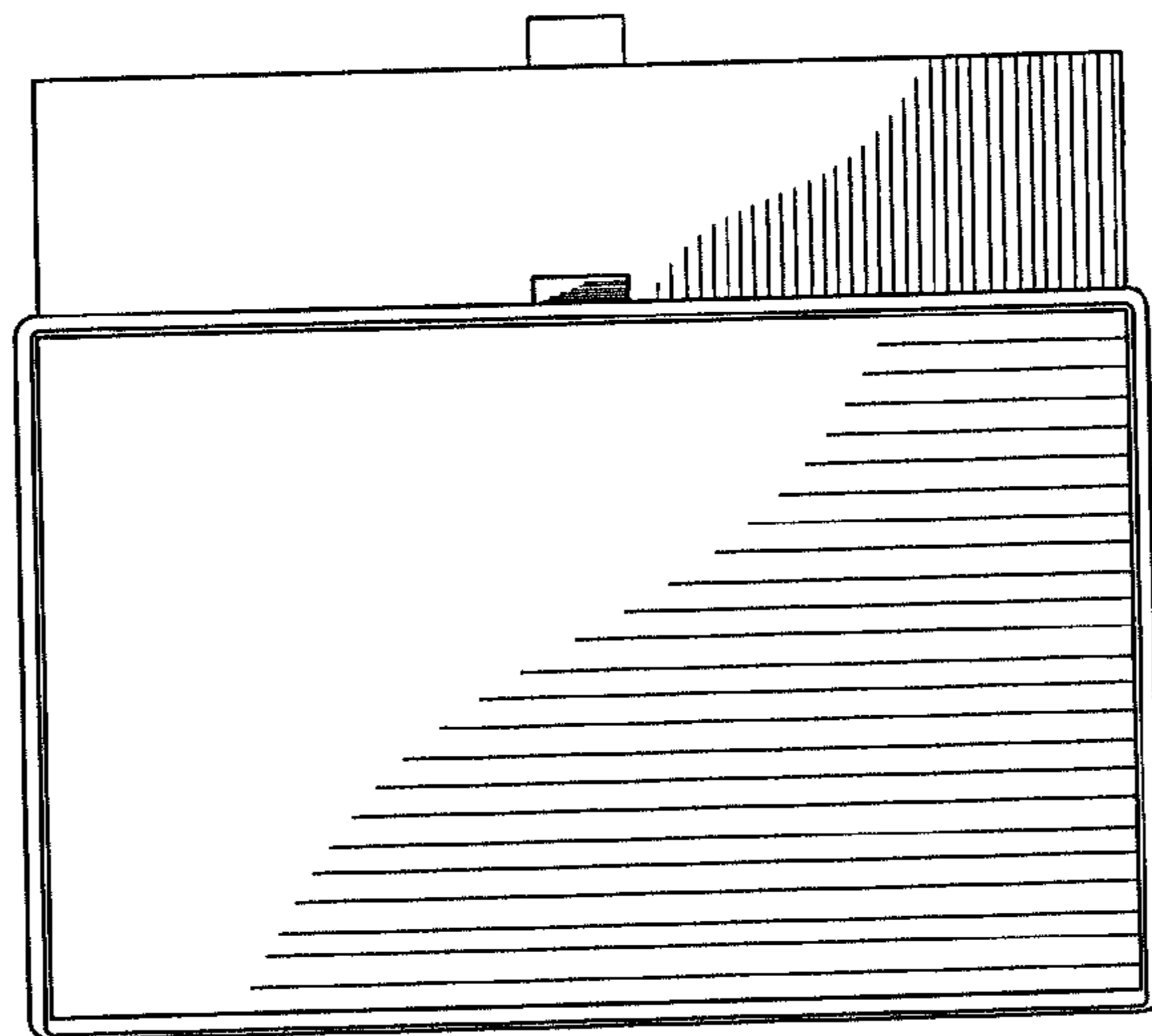


FIG. 7