



US00D745274S

(12) **United States Design Patent**  
**Minn et al.**

(10) **Patent No.:** **US D745,274 S**  
(45) **Date of Patent:** **\*\* Dec. 15, 2015**

(54) **WALLET**

FOREIGN PATENT DOCUMENTS

(71) Applicant: **Humn Design LLC**, Portland, OR (US)

CA 2472447 12/2005  
CN 2648884 10/2004

(72) Inventors: **Kenneth Minn**, Portland, OR (US);  
**Scott Husa**, Portland, OR (US)

(Continued)

(73) Assignee: **HUMN DESIGN, LLC**, Portland, OR (US)

OTHER PUBLICATIONS

(\*\*) Term: **14 Years**

Wintercheck Factory Webste: Wilnam Wallet, Oct. 2, 2010, <http://web.archive.org/web/20101002104327/http://www.wintercheckfactory.com/shop/13-William-wallet>.

(21) Appl. No.: **29/506,930**

*Primary Examiner* — Holly Baynham

(22) Filed: **Oct. 22, 2014**

(74) *Attorney, Agent, or Firm* — Schwabe, Williamson & Wyatt

**Related U.S. Application Data**

(62) Division of application No. 13/801,891, filed on Mar. 13, 2013.

(57) **CLAIM**

The ornamental design for a wallet, as shown and described.

(51) **LOC (10) Cl.** ..... **03-01**

(52) **U.S. Cl.**

USPC ..... **D3/247**

(58) **Field of Classification Search**

USPC ..... D3/247, 249–253

CPC ..... A45C 1/06; A45C 3/08

See application file for complete search history.

**DESCRIPTION**

FIG. 1 is a front elevation view of a wallet.  
FIG. 2 is a right side elevation view for the wallet of FIG. 1.  
FIG. 3 is a left side elevation view for the wallet of FIG. 1.  
FIG. 4 is a top plan view for the wallet of FIG. 1.  
FIG. 5 is a bottom plan view for the wallet of FIG. 1.  
FIG. 6 is a rear elevation view for the wallet of FIG. 1.  
FIG. 7 is a perspective view for the wallet of FIG. 1.  
FIG. 8 is a front perspective view for one plate of the wallet of FIG. 1; and,  
FIG. 9 is a rear perspective view for one plate of the wallet of FIG. 1.

The broken lines showing portions of the wallet are for the purposes of illustrating environment and form no part of the claimed design.

The plate of the wallet is shown detached for ease and clarity of illustration.

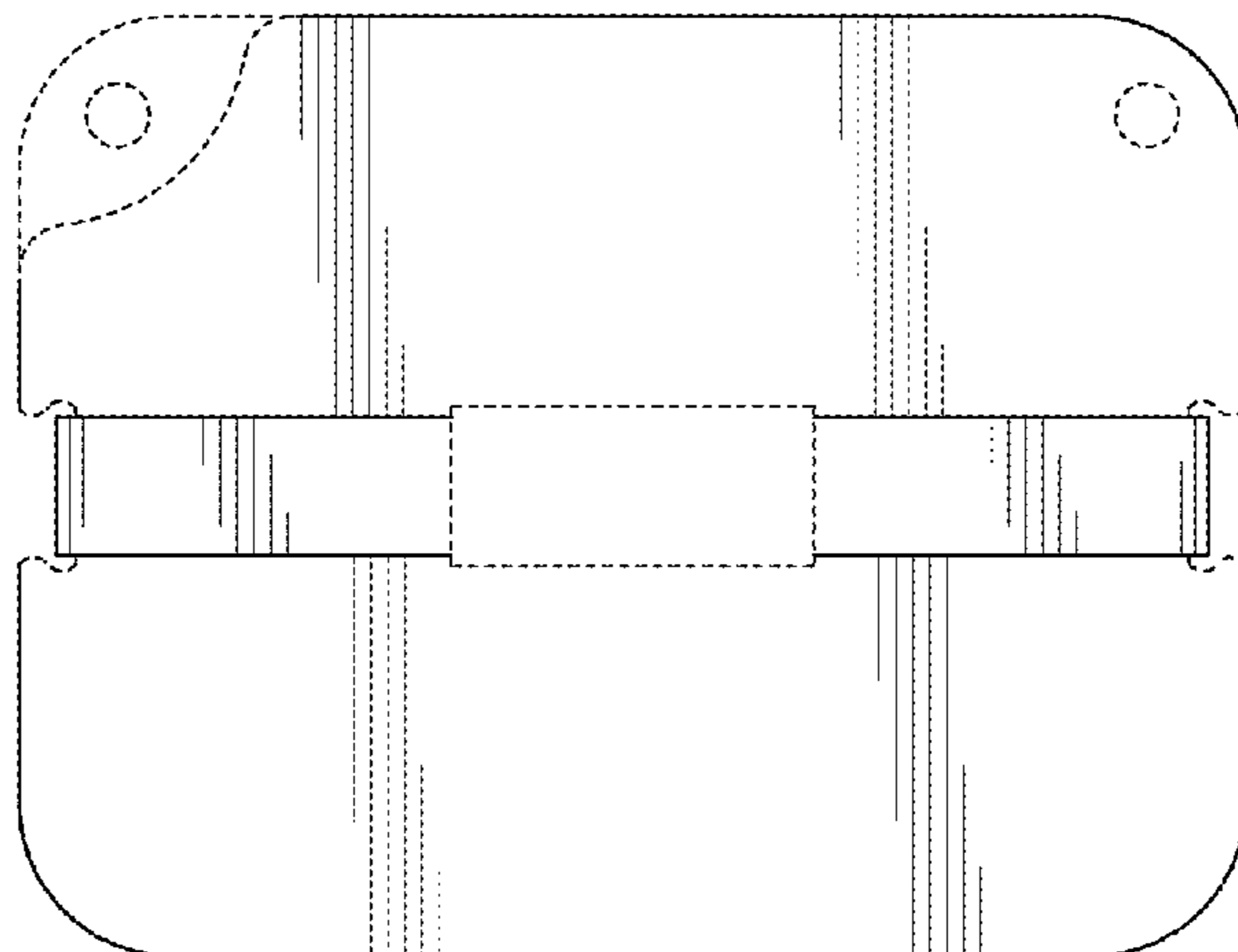
(56) **References Cited**

U.S. PATENT DOCUMENTS

1,513,383	A	10/1924	Fleischer
1,761,809	A	6/1930	Marlan
D286,582	S	11/1986	Phelps
5,077,869	A	1/1992	Haase
5,115,909	A	5/1992	Hull et al.
5,275,217	A	1/1994	Eakin
5,279,019	A	1/1994	Knickle
D384,499	S	10/1997	Gaestel
5,713,406	A	2/1998	Drury

(Continued)

**1 Claim, 3 Drawing Sheets**



(56)

**References Cited**

U.S. PATENT DOCUMENTS

D402,105 S 12/1998 Erickson  
 5,944,080 A 8/1999 Podwika  
 6,230,878 B1 5/2001 Lehr  
 7,000,291 B2 2/2006 Fuller  
 D590,151 S 4/2009 Karobkina  
 7,601,921 B2 10/2009 Schroader  
 7,640,632 B2 1/2010 Lazarus  
 D613,293 S 4/2010 Sheba  
 D627,786 S 11/2010 Hsia  
 D628,796 S 12/2010 Uzelac  
 D630,848 S 1/2011 Long  
 7,971,324 B2 7/2011 Preston-Hall  
 D690,931 S \* 10/2013 Minn et al. .... D3/247  
 D695,013 S \* 12/2013 Minn et al. .... D3/247

D716,043 S \* 10/2014 Wilk ..... D3/247  
 D718,525 S 12/2014 Kim  
 2003/0038043 A1 2/2003 Painsith  
 2006/0187055 A1 8/2006 Colby  
 2007/0109130 A1 5/2007 Edenfield  
 2007/0256279 A1 11/2007 Glickfield  
 2007/0289775 A1 12/2007 Potts  
 2010/0230018 A1 9/2010 Nielsen

FOREIGN PATENT DOCUMENTS

CN 201536722 8/2010  
 GB 128510 0/1919  
 KR 20070072050 7/2007  
 RO 121314 3/2007  
 WO 2010097342 9/2010

\* cited by examiner



FIG. 4

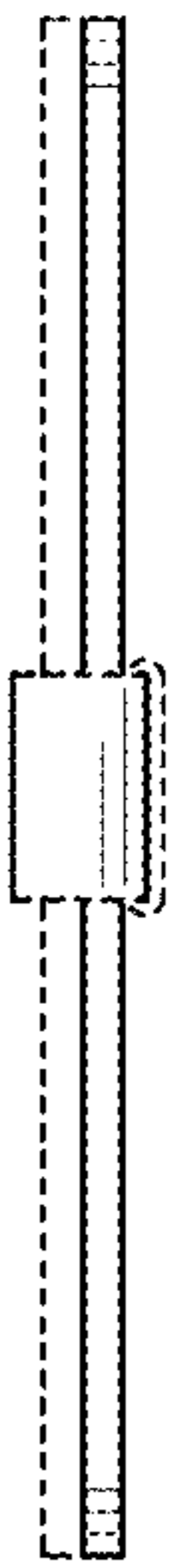


FIG. 3

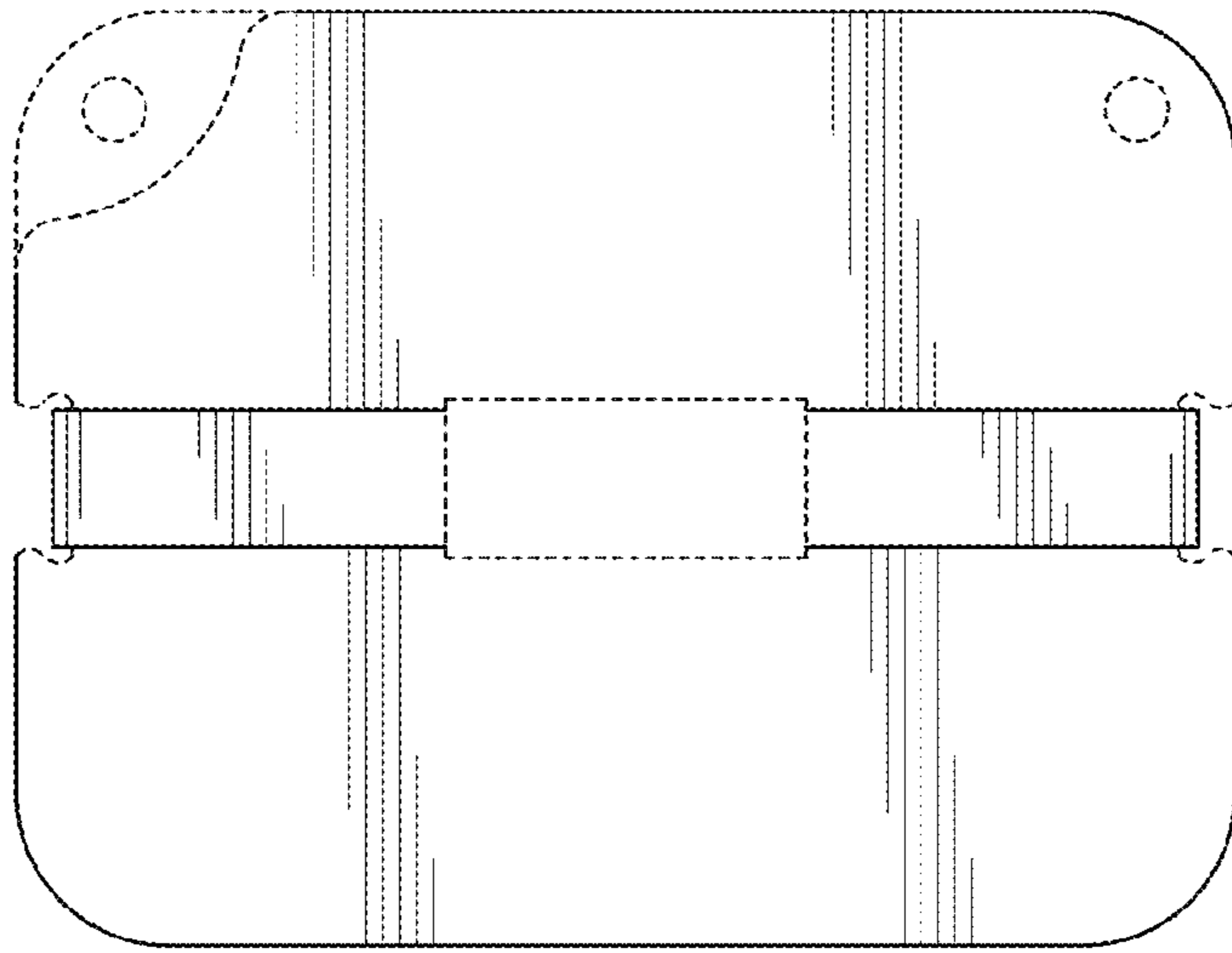


FIG. 1

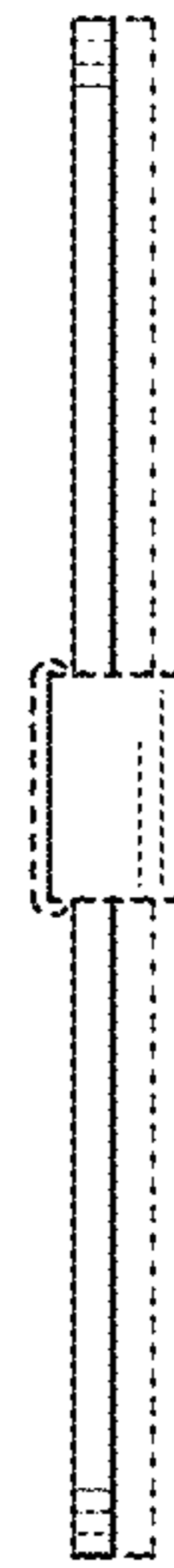


FIG. 2

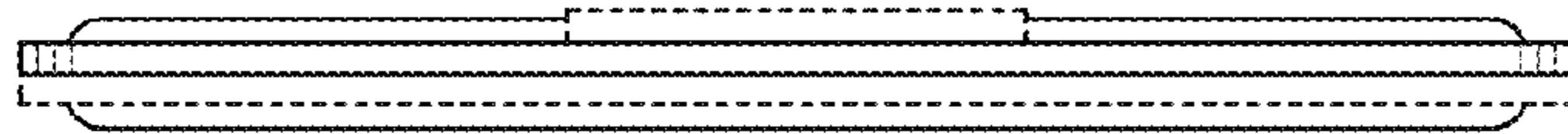
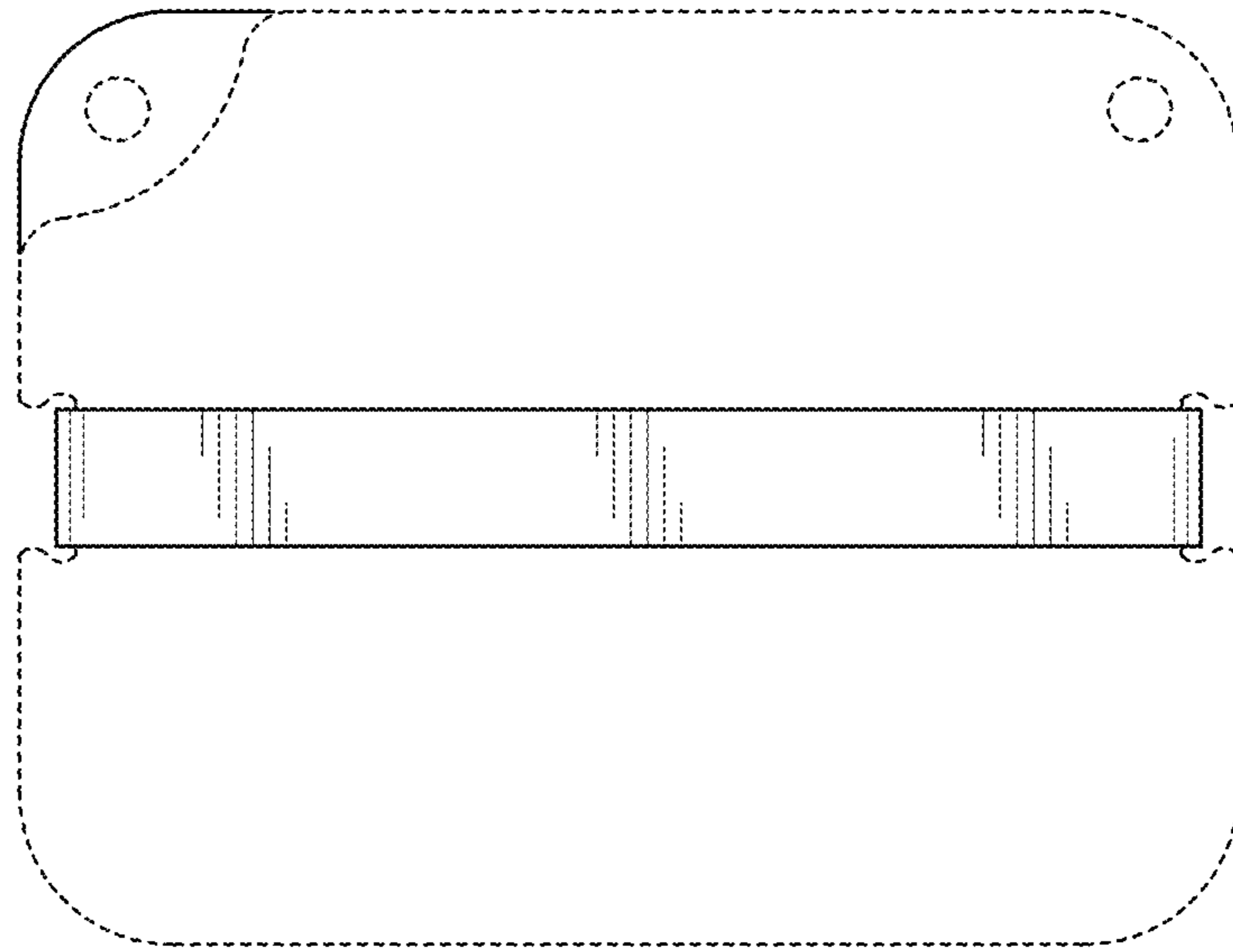
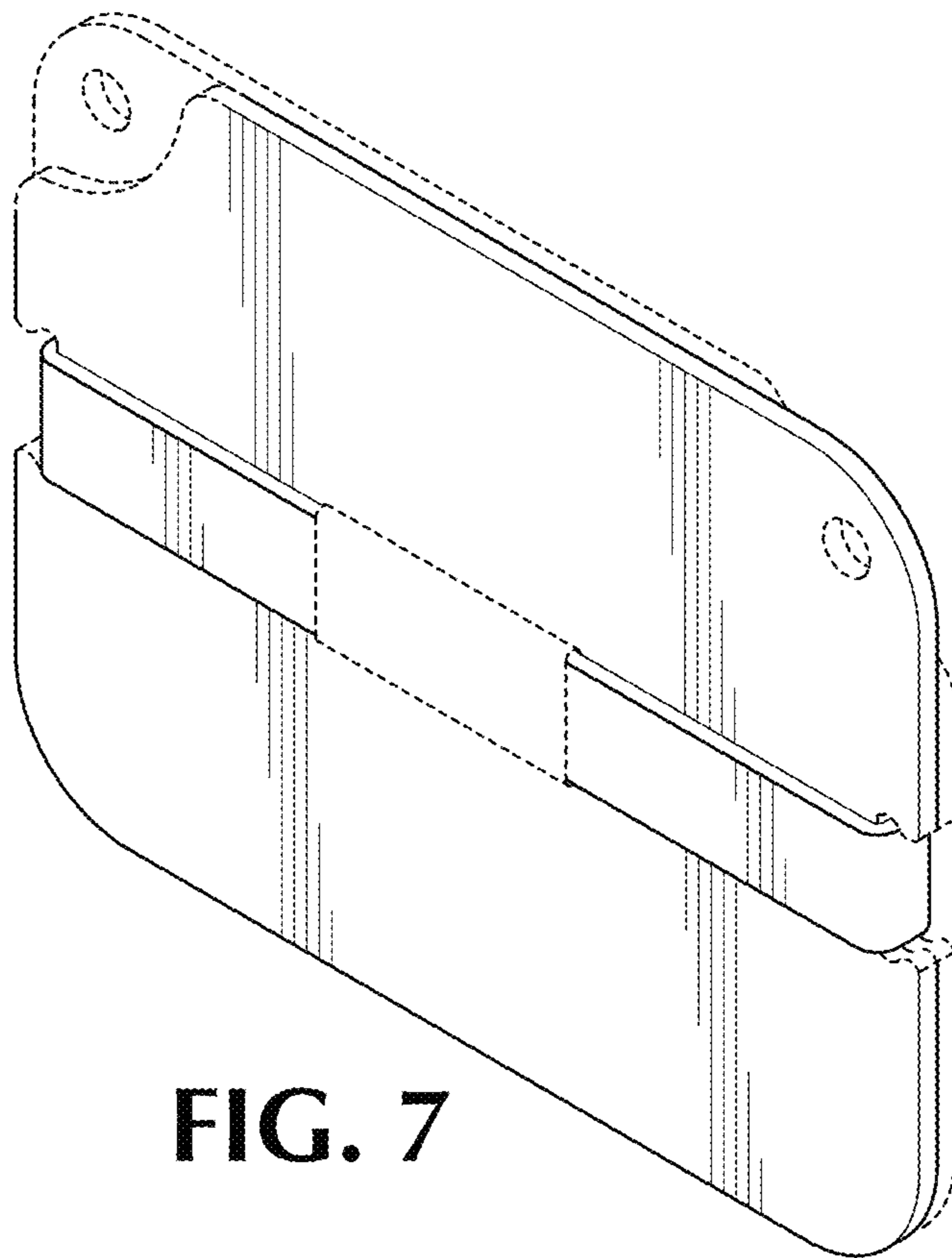


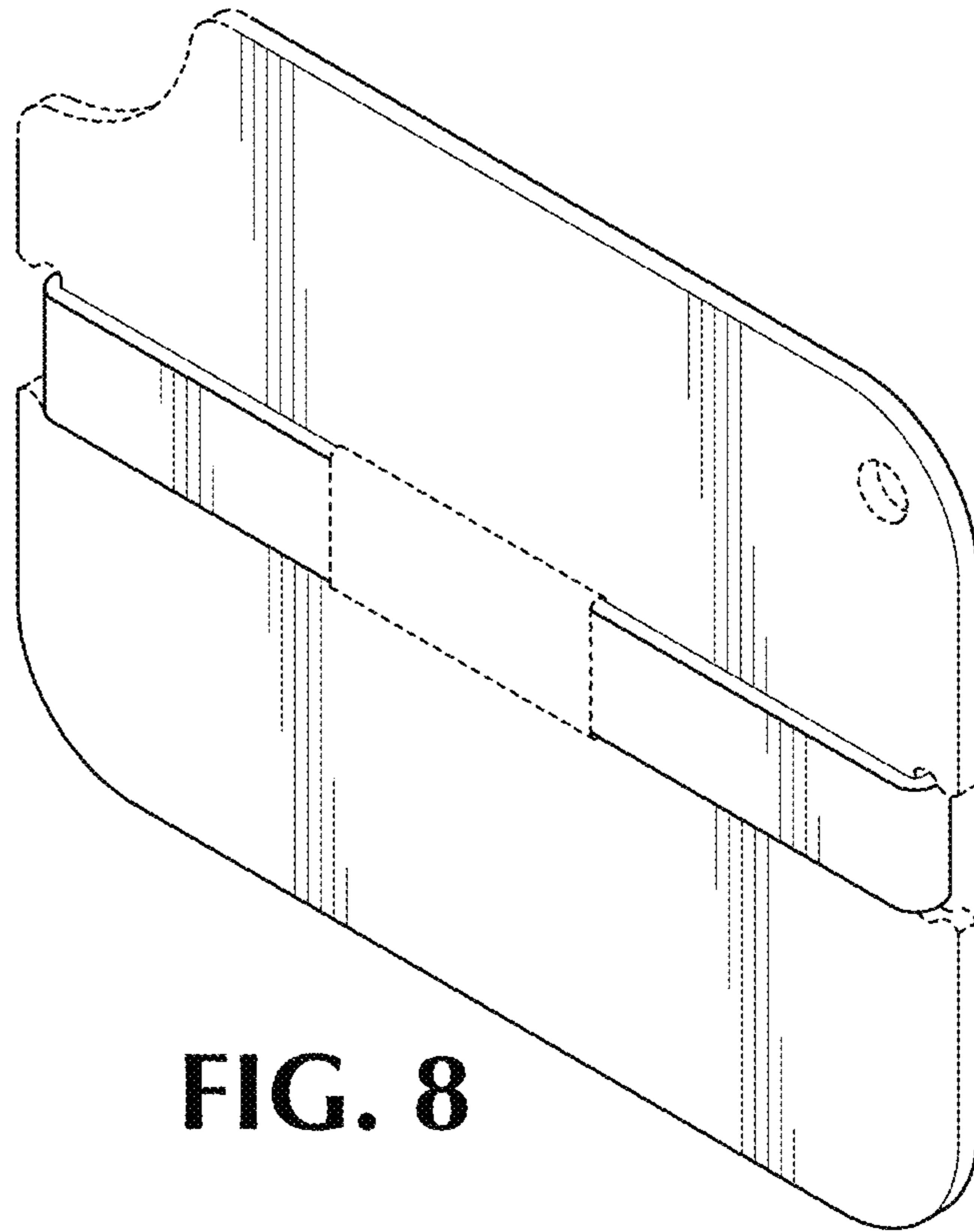
FIG. 5



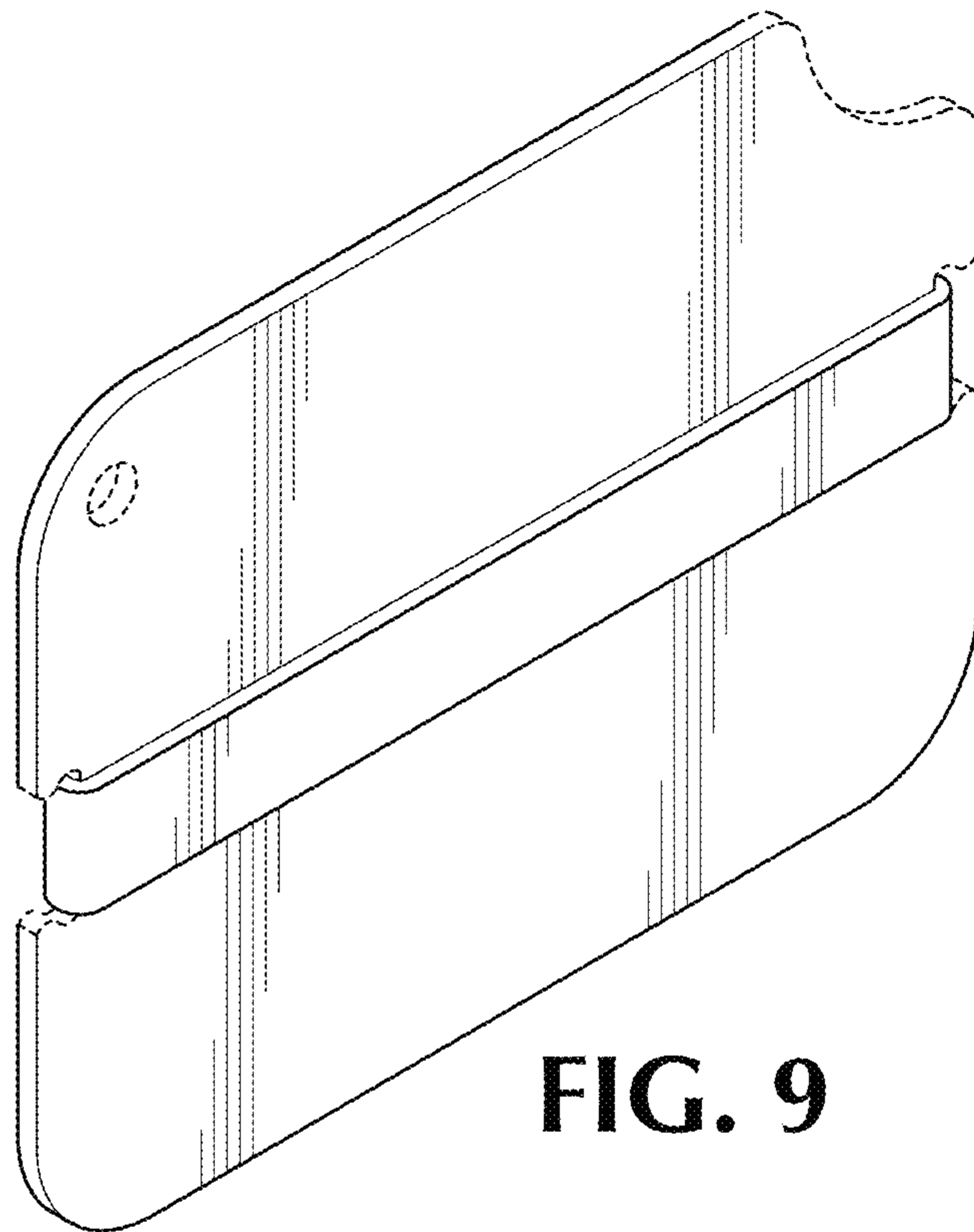
**FIG. 6**



**FIG. 7**



**FIG. 8**



**FIG. 9**