



US00D745273S

(12) **United States Design Patent**
Hageman

(10) **Patent No.:** **US D745,273 S**

(45) **Date of Patent:** **** Dec. 15, 2015**

(54) **WALLET**

(71) Applicant: **James Hageman**, Davie, FL (US)

(72) Inventor: **James Hageman**, Davie, FL (US)

(**) Term: **14 Years**

(21) Appl. No.: **29/486,901**

(22) Filed: **Apr. 3, 2014**

(51) **LOC (10) Cl.** **03-01**

(52) **U.S. Cl.**
USPC **D3/247**

(58) **Field of Classification Search**
USPC D3/247, 249–253
CPC A45C 1/06; A45C 3/08
See application file for complete search history.

(56) **References Cited**

U.S. PATENT DOCUMENTS

D175,071 S *	7/1955	Griffith	D3/250
D342,829 S *	1/1994	Mitchell	D3/253
D372,359 S *	8/1996	Tytula	D3/253

D544,711 S *	6/2007	Mundy et al.	D3/247
D703,433 S *	4/2014	Morszeck	D3/247
D707,965 S *	7/2014	Requa	D3/247

* cited by examiner

Primary Examiner — Holly Baynham

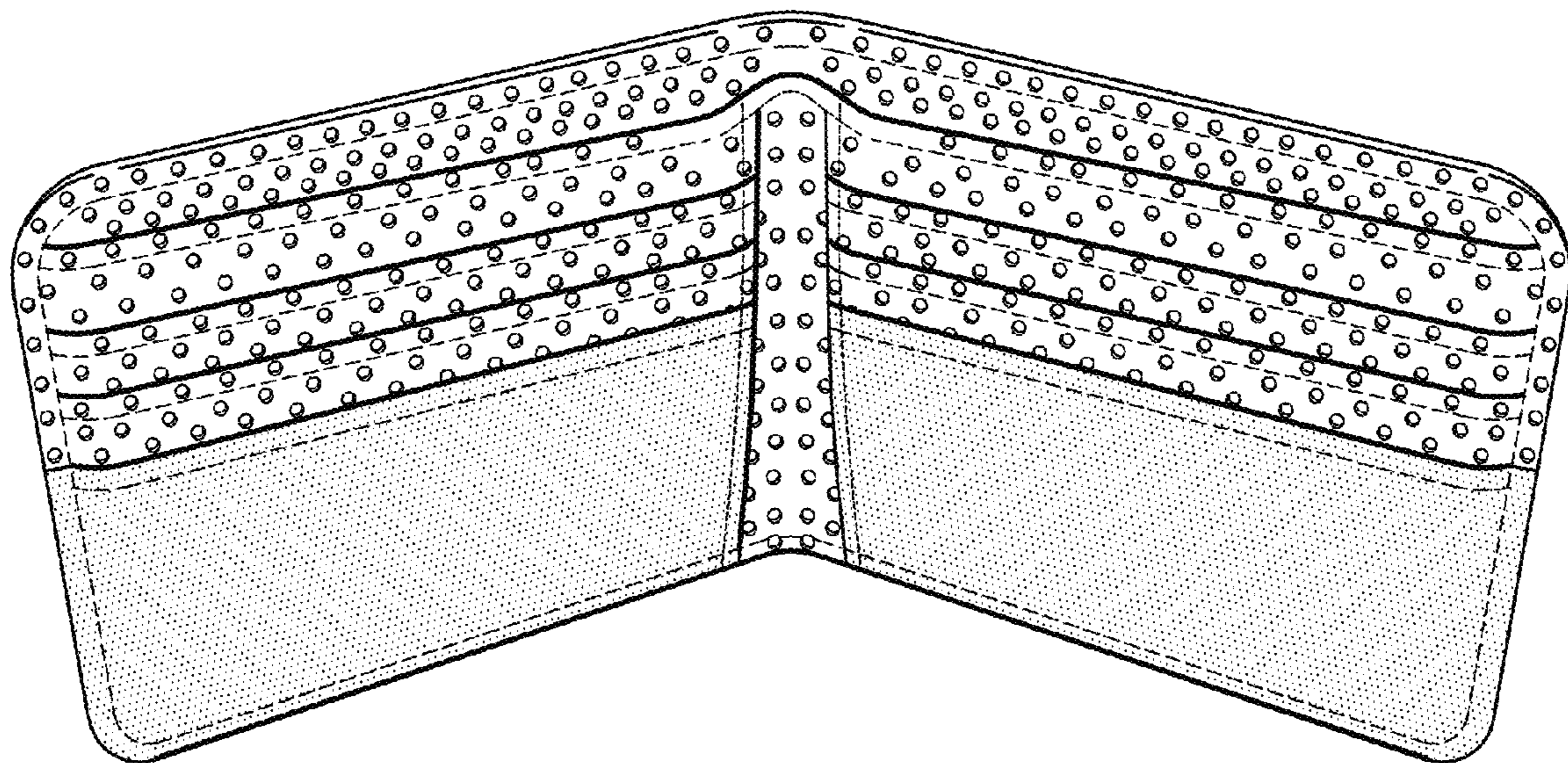
(57) **CLAIM**

The ornamental design for a wallet, as shown and described.

DESCRIPTION

FIG. 1 is a perspective front view of a wallet;
 FIG. 2 is a front elevation view of the wallet;
 FIG. 3 is a rear elevation view of the wallet;
 FIG. 4 is a top plan view of the wallet;
 FIG. 5 is a bottom plan view of the wallet; and,
 FIG. 6 is a right side elevation view of the wallet, the left side elevation view being a mirror image thereof.
 The stippling shown represents a contrasting color surface. The broken lines showing stitching are for the purposes of illustrating environment and form no part of the claimed design.

1 Claim, 3 Drawing Sheets



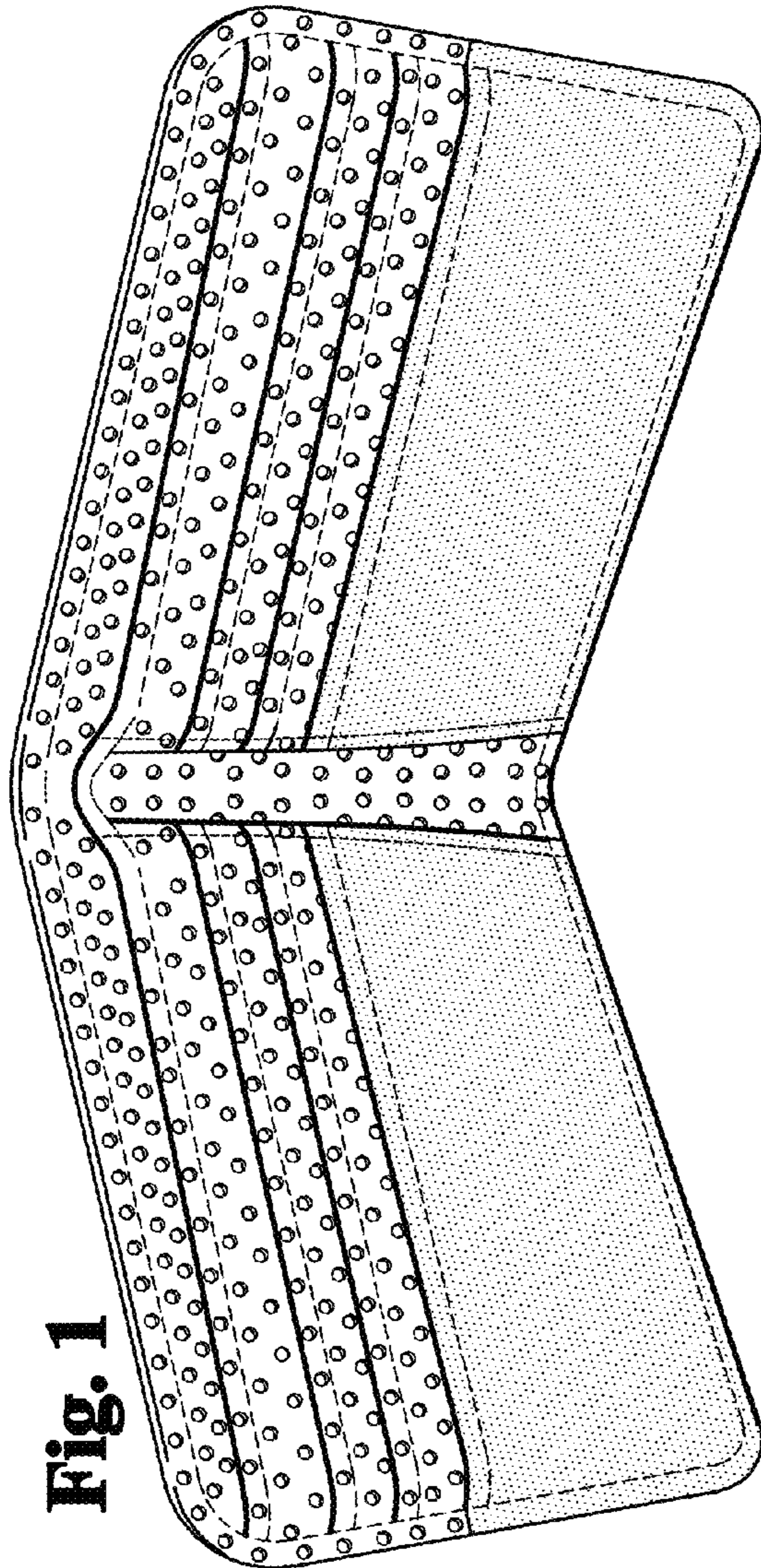


Fig. 2

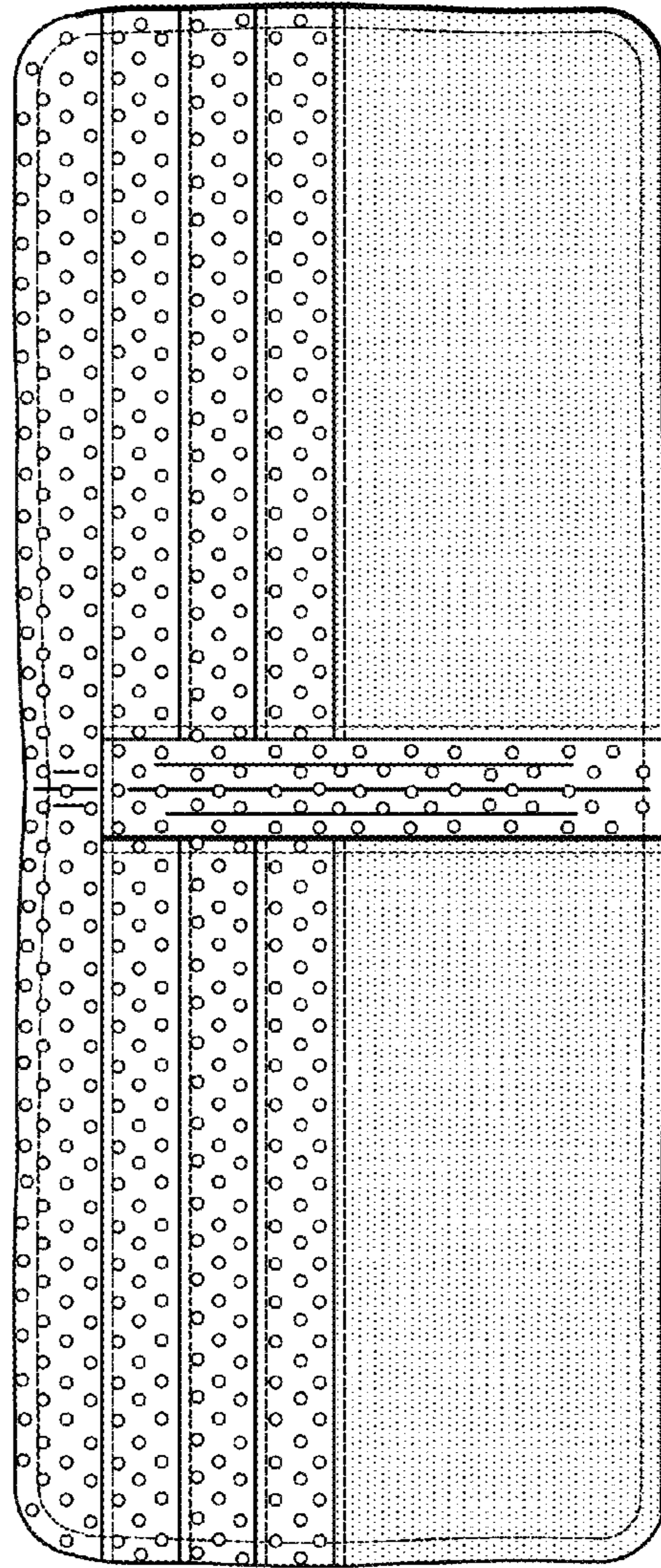


Fig. 3

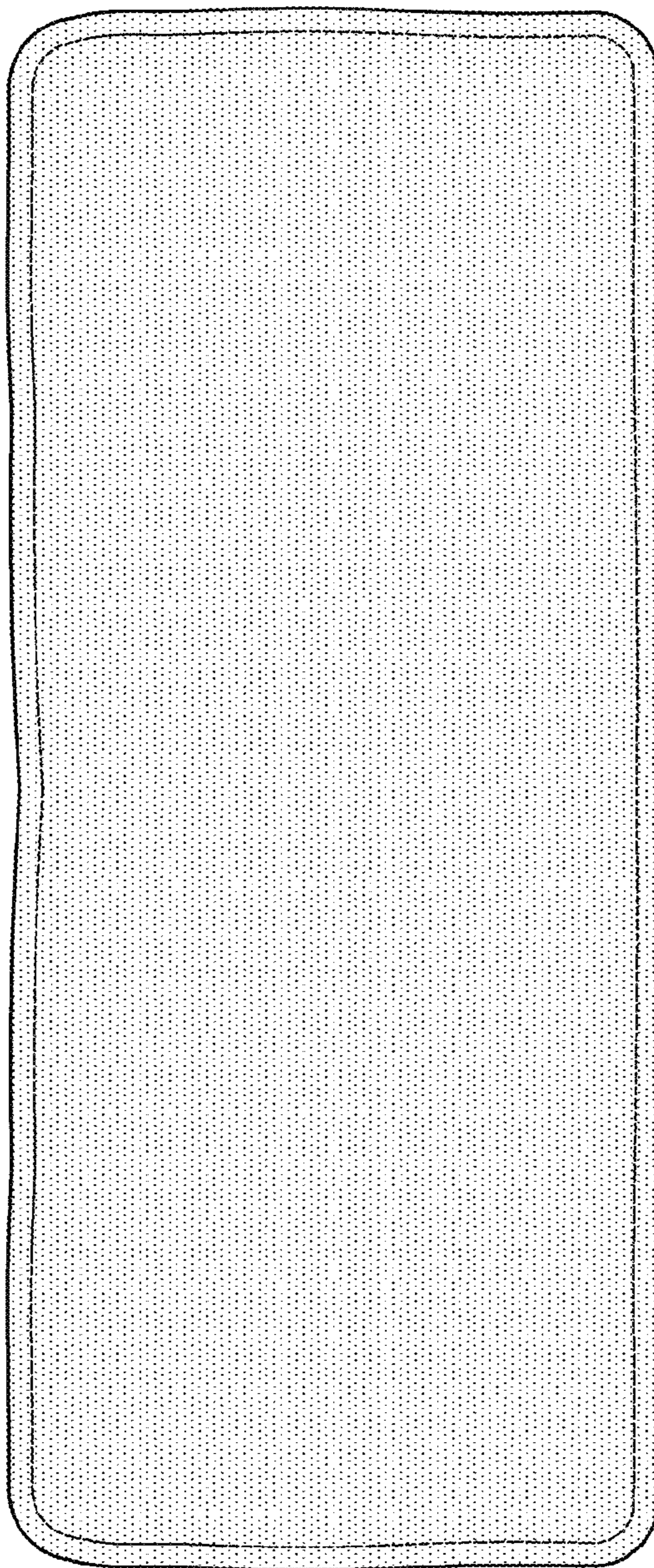


Fig. 4

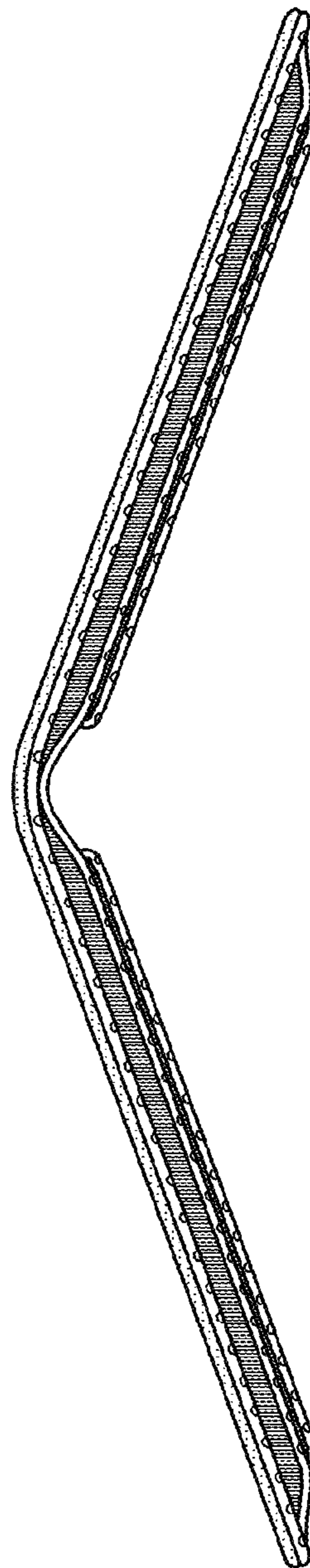


Fig. 5

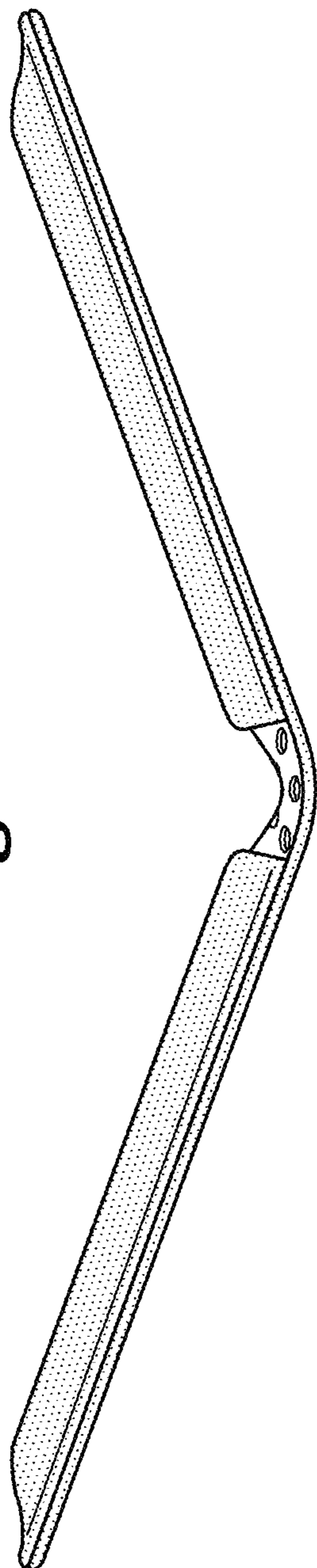


Fig. 6

