



US00D745268S

(12) **United States Design Patent**
Slimane

(10) **Patent No.:** **US D745,268 S**

(45) **Date of Patent:** **** Dec. 15, 2015**

(54) **HANDBAG**

(71) Applicant: **YVES SAINT LAURENT**, Paris (FR)

(72) Inventor: **Hedi Slimane**, Los Angeles, CA (US)

(73) Assignee: **YVES SAINT LAURENT**, Paris (FR)

(**) Term: **14 Years**

(21) Appl. No.: **29/499,482**

(22) Filed: **Aug. 15, 2014**

(51) **LOC (10) Cl.** **03-01**

(52) **U.S. Cl.**
USPC **D3/232**

(58) **Field of Classification Search**

USPC D3/218, 227, 232–233, 239, 240–243,
D3/245, 289, 301, 303, 318, 323, 327, 328,
D3/900; D8/97, 107, 300, 303, 313, 314,
D8/321; D15/5, 18
CPC Y10T 24/2586; Y10T 24/2589; Y10T
24/257; Y10T 24/25; A44B 19/262; A44B
19/26; A44B 19/00; A41F 1/008; A41D
2300/322; A45C 11/324
See application file for complete search history.

(56) **References Cited**

U.S. PATENT DOCUMENTS

D583,553 S * 12/2008 Stulman D3/232
D631,656 S * 2/2011 Della Valle D3/243

D660,586 S * 5/2012 Maramotti D3/232
D691,798 S * 10/2013 Venturini Fendi D3/232
D697,307 S * 1/2014 Crook D3/245
D698,146 S * 1/2014 Deneve D3/245

* cited by examiner

Primary Examiner — Robert M Spear

Assistant Examiner — Eliza Bennett-Hattan

(74) *Attorney, Agent, or Firm* — Donald J. Ranft; Kristen A. Magavero; Collen IP

(57) **CLAIM**

The ornamental design for a handbag, as shown.

DESCRIPTION

FIG. 1 is a front left perspective view of a handbag showing my new design;

FIG. 2 is a front view thereof;

FIG. 3 is a rear view thereof;

FIG. 4 is a left side view thereof;

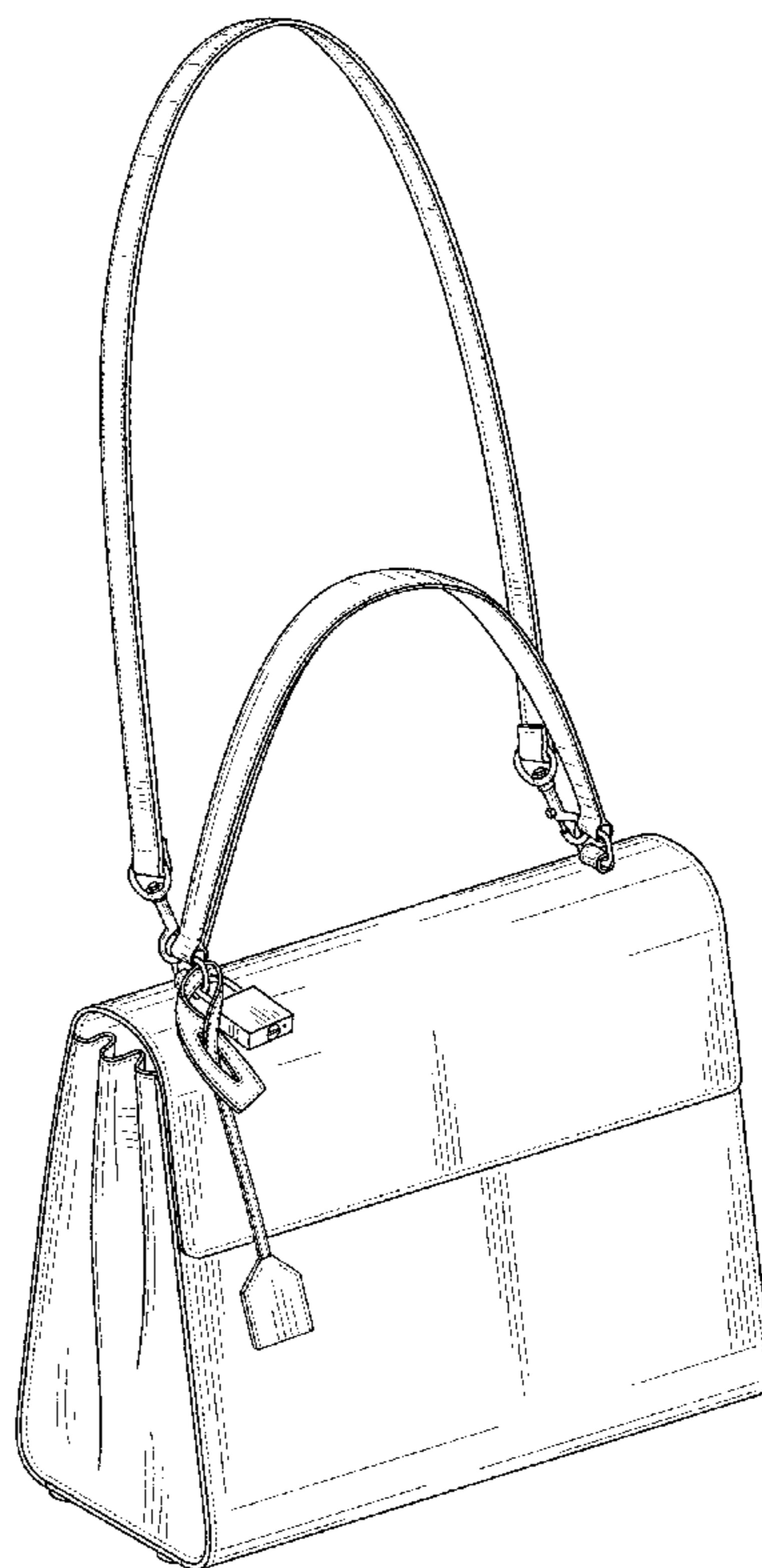
FIG. 5 is a right side view thereof;

FIG. 6 is a top view thereof;

FIG. 7 is a bottom view thereof; and,

FIG. 8 is a rear right perspective view thereof.

1 Claim, 6 Drawing Sheets



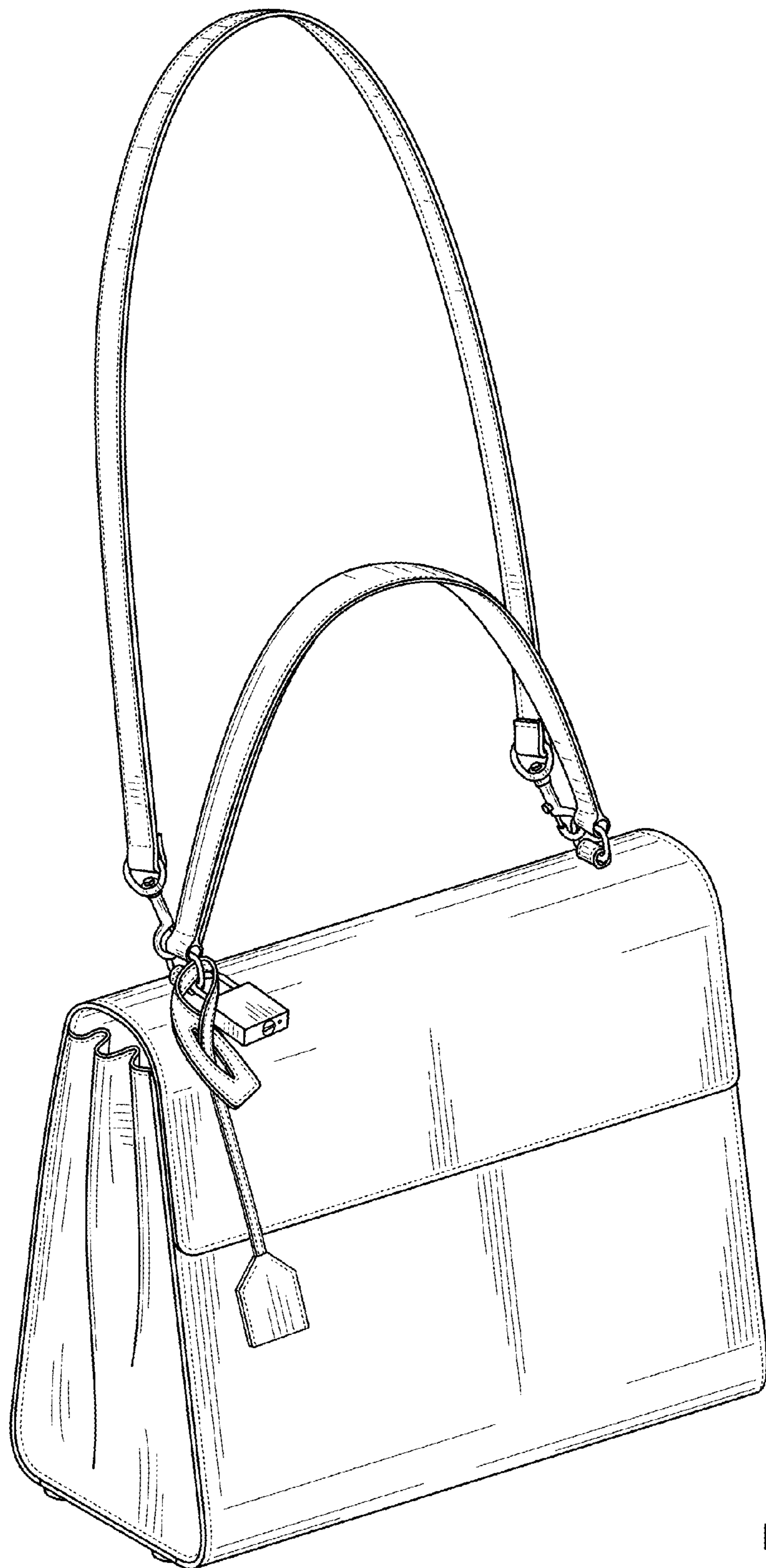


FIG. 1

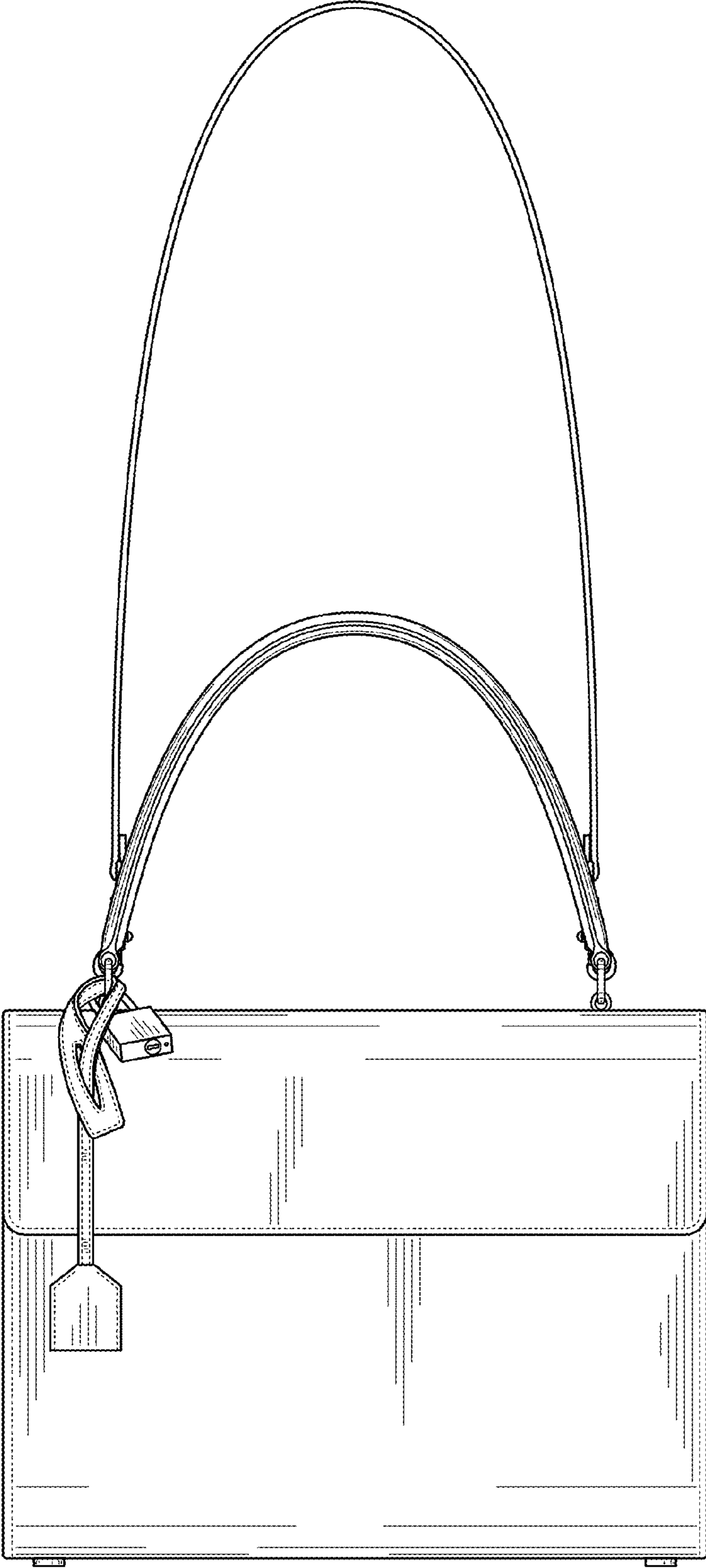


FIG. 2

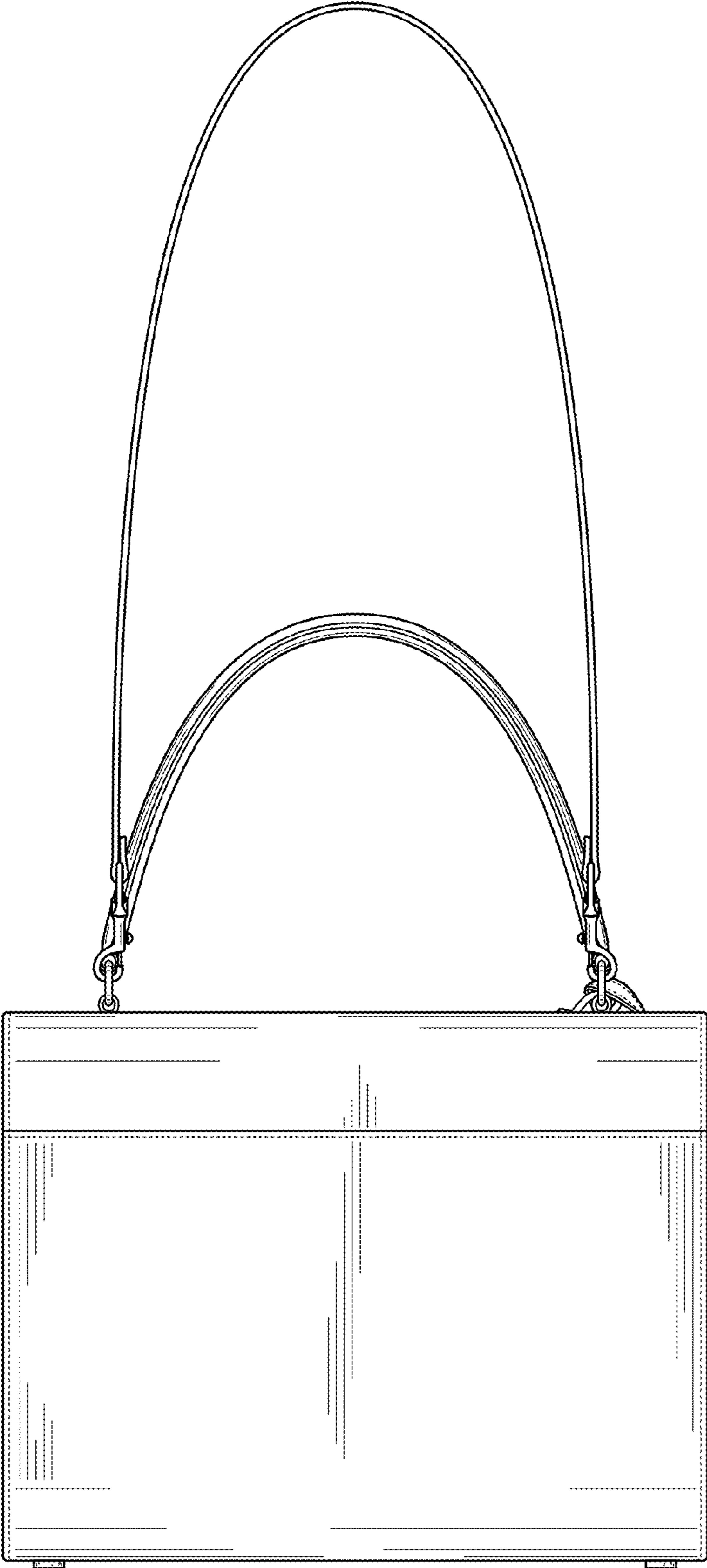


FIG. 3

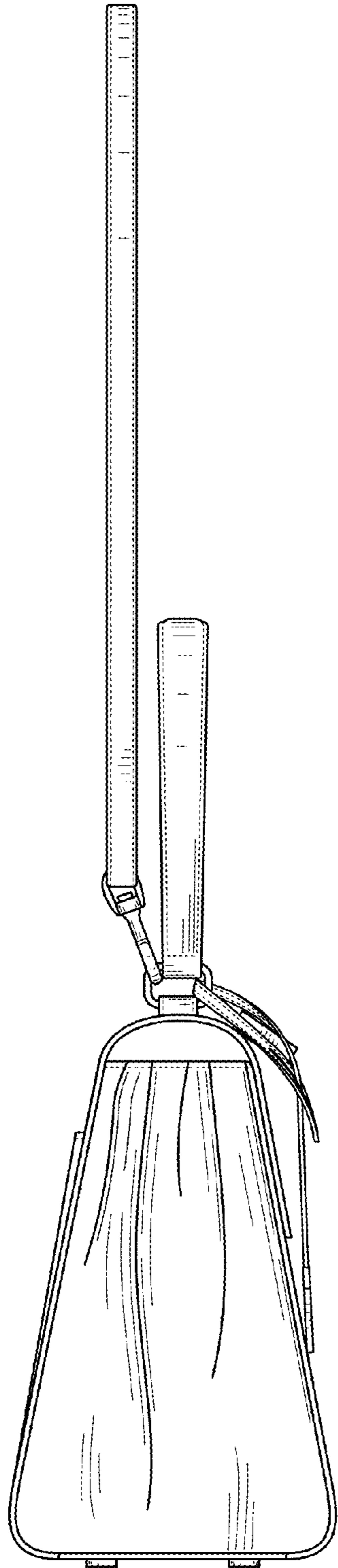


FIG. 4

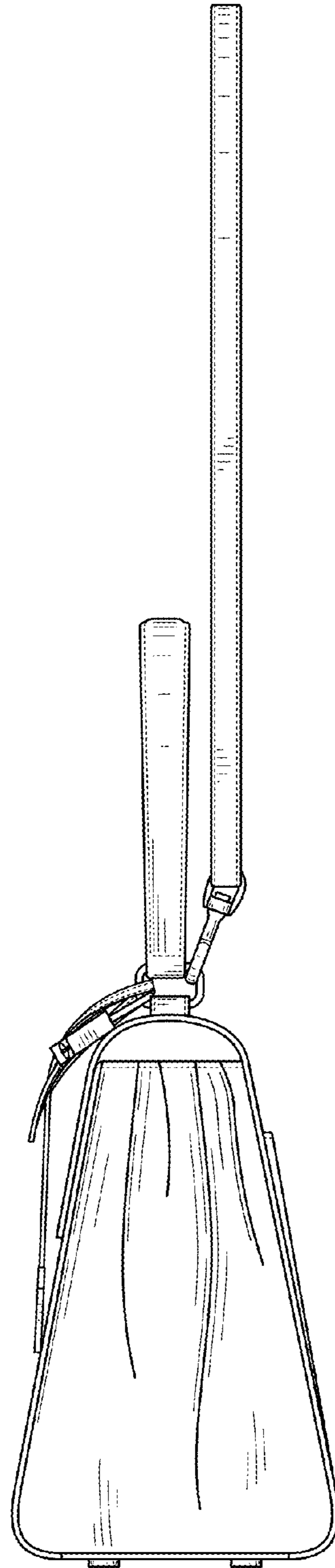


FIG. 5

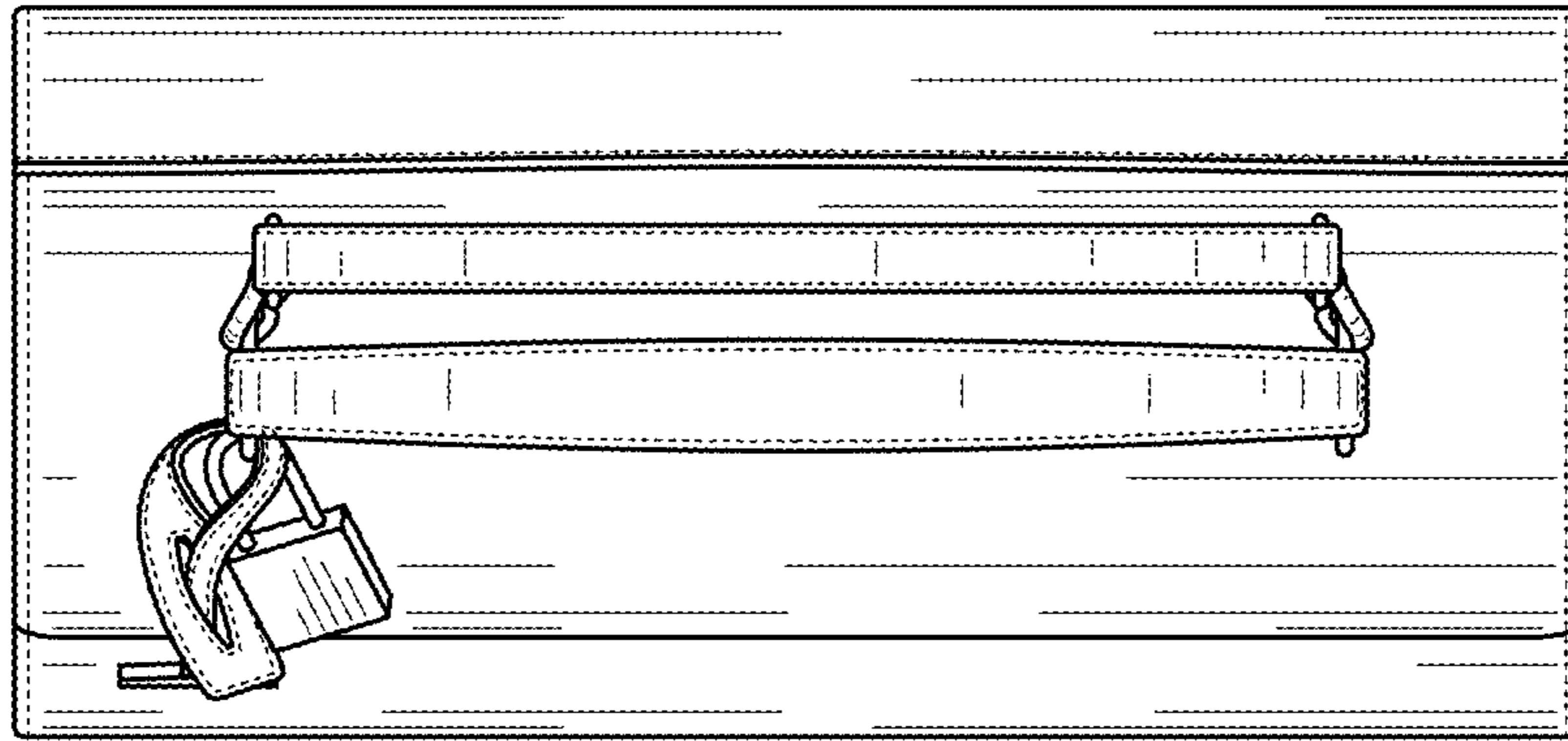


FIG. 6

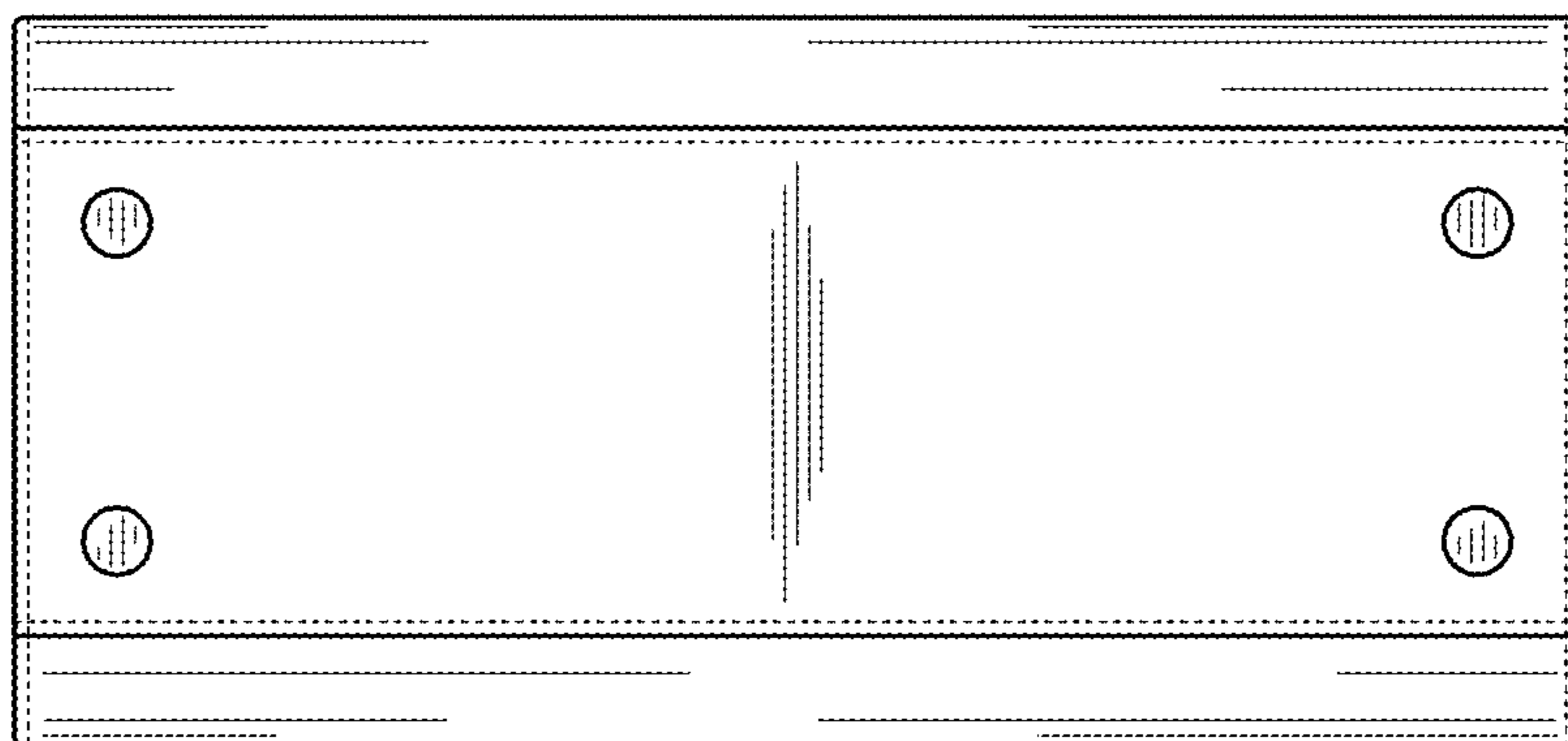


FIG. 7



FIG. 8