



US00D745258S

(12) **United States Design Patent**
Raysse

(10) **Patent No.:** **US D745,258 S**

(45) **Date of Patent:** **** Dec. 15, 2015**

(54) **SHOE UPPER**

(71) Applicant: **Skechers U.S.A., Inc. II**, Manhattan Beach, CA (US)

(72) Inventor: **David Raysse**, Los Angeles, CA (US)

(73) Assignee: **SKECHERS U.S.A., INC. II**, Manhattan Beach, CA (US)

(**) Term: **15 Years**

(21) Appl. No.: **29/531,595**

(22) Filed: **Jun. 26, 2015**

(51) **LOC (10) Cl.** **02-99**

(52) **U.S. Cl.**
USPC **D2/969**

(58) **Field of Classification Search**
USPC D2/902, 906-908, 923, 944, 969,
D2/971-974

CPC .. A43B 13/181; A43B 13/141; A43B 13/186;
A43B 13/188; A43B 23/00; A43B 23/02;
A43B 5/00

See application file for complete search history.

(56) **References Cited**

U.S. PATENT DOCUMENTS

| | | | | |
|--------------|---------|--------------|-------|--------|
| D94,108 S * | 12/1934 | Bancroft | | D2/974 |
| D170,782 S | 11/1953 | Wegner | | |
| D174,475 S * | 4/1955 | Smith | | D2/923 |
| D175,983 S * | 11/1955 | Sandler | | D2/923 |
| D176,066 S * | 11/1955 | Evins | | D2/969 |
| D186,155 S | 9/1959 | Bianchini | | |
| D232,008 S * | 7/1974 | Fukuoka | | D2/923 |
| D366,953 S | 2/1996 | Tate | | |
| D404,553 S * | 1/1999 | Greenberg | | D2/969 |
| D437,474 S * | 2/2001 | Agnew et al. | | D2/908 |
| D457,296 S | 5/2002 | Burt | | |
| D474,003 S * | 5/2003 | Della Valle | | D2/923 |
| D490,231 S | 5/2004 | Estey | | |
| D498,356 S | 11/2004 | Lotti | | |

| | | | | |
|--------------|---------|-------------------------|-------|--------|
| D499,863 S | 12/2004 | Sakai et al. | | |
| D504,012 S | 4/2005 | Fullum | | |
| D523,615 S | 6/2006 | Burg | | |
| D544,700 S | 6/2007 | Link | | |
| D545,544 S * | 7/2007 | Matis et al. | | D2/969 |
| D580,149 S * | 11/2008 | Banik et al. | | D2/969 |
| D581,644 S * | 12/2008 | Roy | | D2/969 |
| D605,388 S | 12/2009 | St-Louis et al. | | |
| D613,485 S * | 4/2010 | Meador | | D2/926 |
| D626,737 S * | 11/2010 | Dean | | D2/969 |
| D648,513 S * | 11/2011 | McVicker et al. | | D2/923 |
| D653,020 S | 1/2012 | Van Zyll De Jong et al. | | |

(Continued)

Primary Examiner — Dominic Simone

(74) *Attorney, Agent, or Firm* — Marshall A. Lerner; Martin H. Kleinberg; Kleinberg & Lerner, LLP

(57) **CLAIM**

The ornamental design for a shoe upper, as shown and described.

DESCRIPTION

FIG. 1 is a perspective view of a first exemplary embodiment of a shoe upper in accordance with my new design.

FIG. 2 is a left side view thereof;

FIG. 3 is a right side view thereof;

FIG. 4 is a top plan view thereof;

FIG. 5 is a bottom plan view thereof;

FIG. 6 is a rear elevation view thereof and

FIG. 7 is a front elevation view thereof.

FIG. 8 is a perspective view of a second exemplary embodiment of a shoe upper in accordance with my new design.

FIG. 9 is a left side view thereof;

FIG. 10 is a right side view thereof;

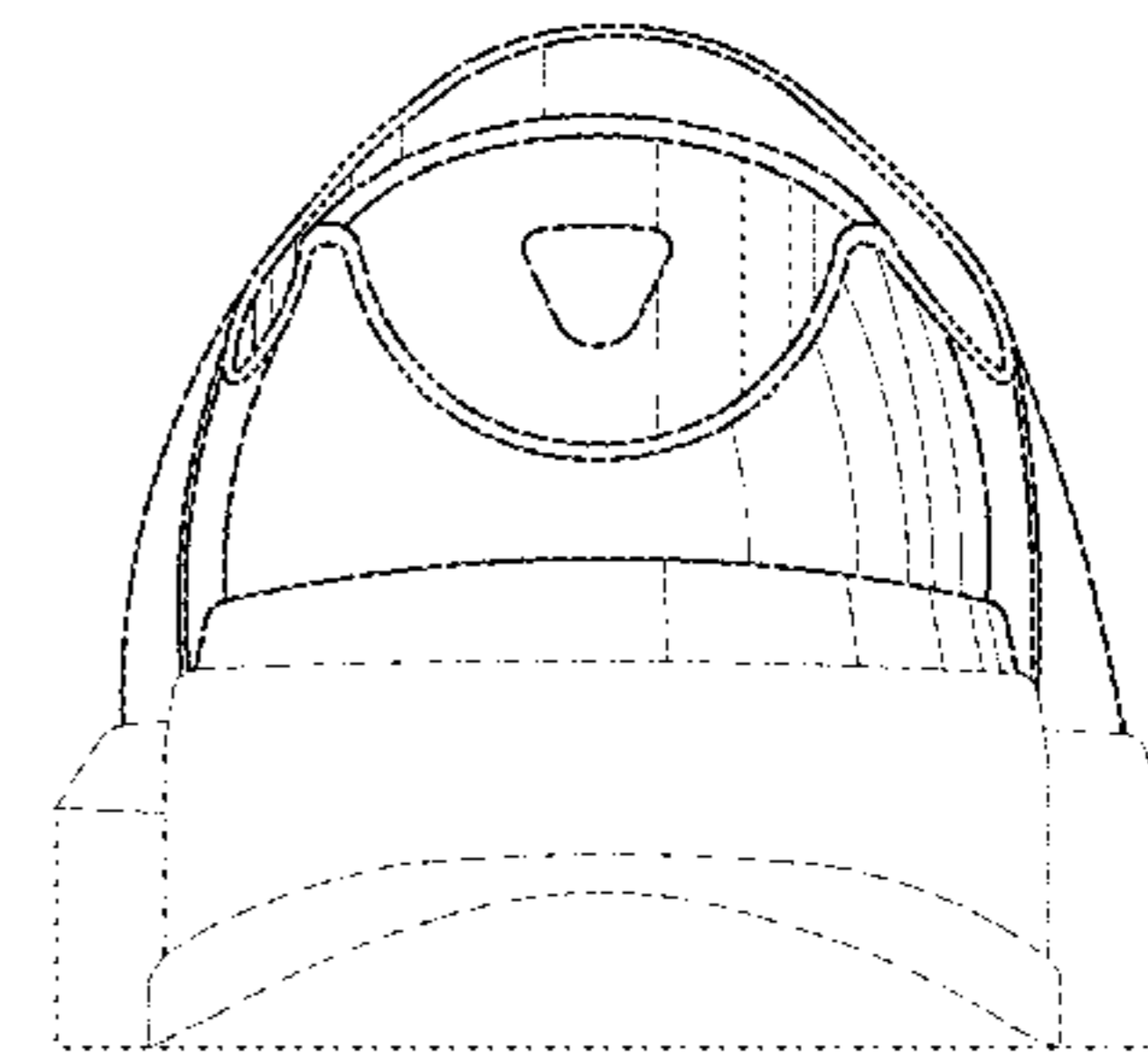
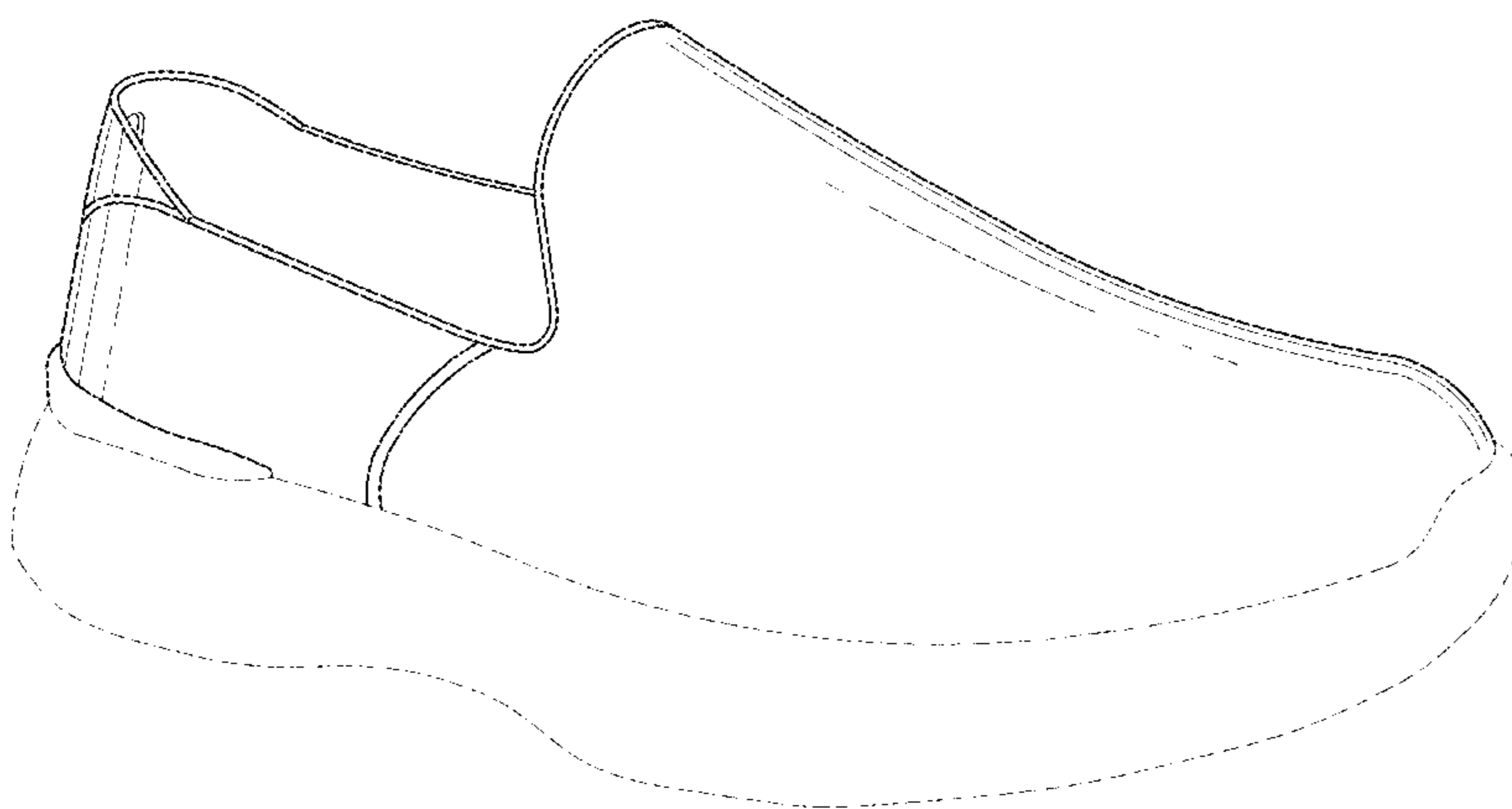
FIG. 11 is a top plan view thereof;

FIG. 12 is a rear elevation view thereof; and,

FIG. 13 is a front elevation view thereof.

Broken lines showing the remainder of the shoe in the figures are for illustrative purposes only and form no part of the claimed invention.

1 Claim, 11 Drawing Sheets



(56)

References Cited

U.S. PATENT DOCUMENTS

D654,255 S 2/2012 Amzallag
D659,367 S 5/2012 Hurayt
D661,884 S 6/2012 Raysse
D668,441 S 10/2012 Shaffer
D668,858 S 10/2012 Shaffer

D676,223 S 2/2013 Dill
D685,170 S 7/2013 Raysse
D688,446 S 8/2013 Raysse
D689,681 S 9/2013 Dekovic
D705,530 S 5/2014 Teteriatnikov
D720,920 S * 1/2015 Santos D2/923
D723,788 S 3/2015 Raysse

* cited by examiner

FIG. 1

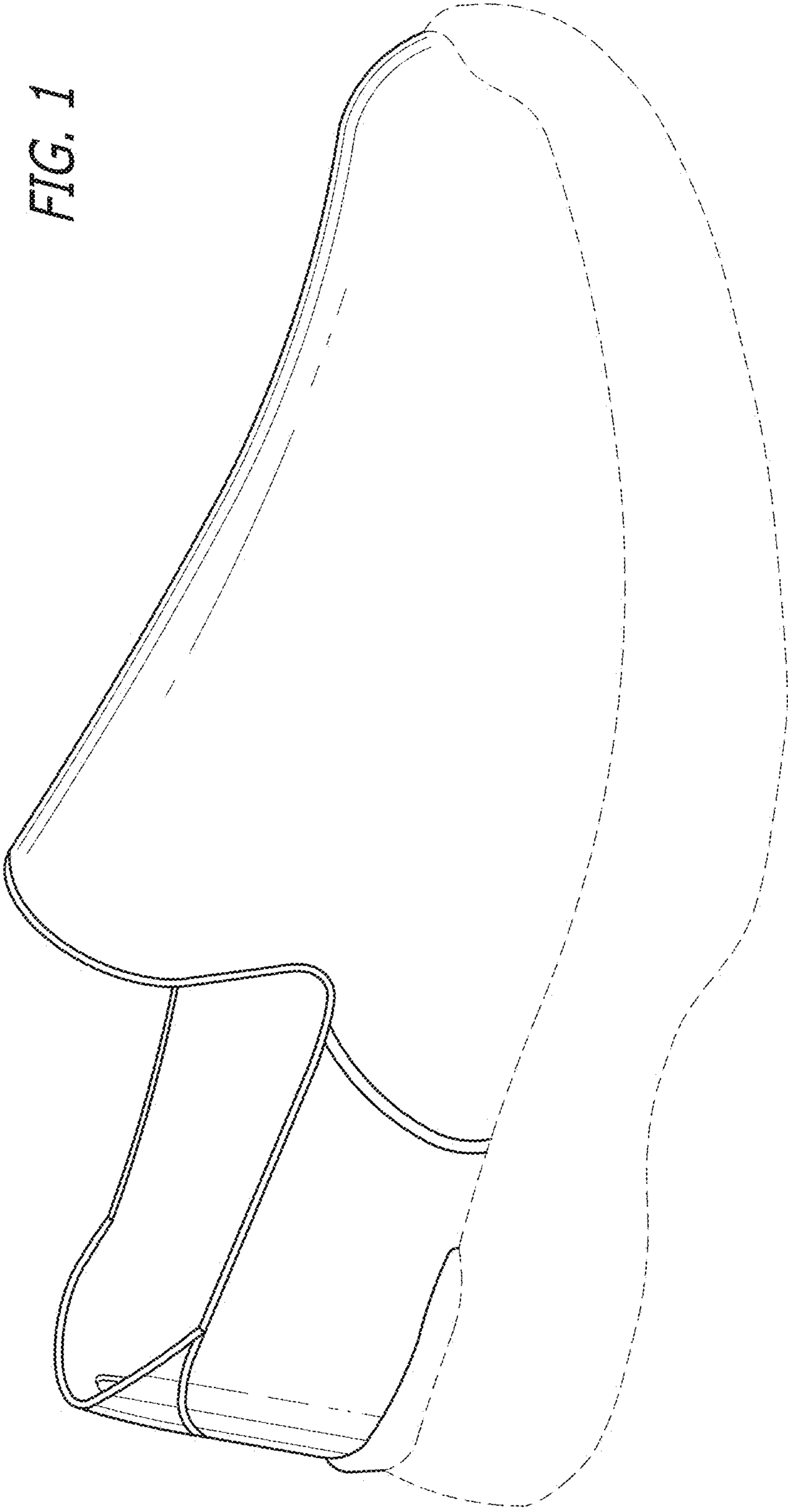
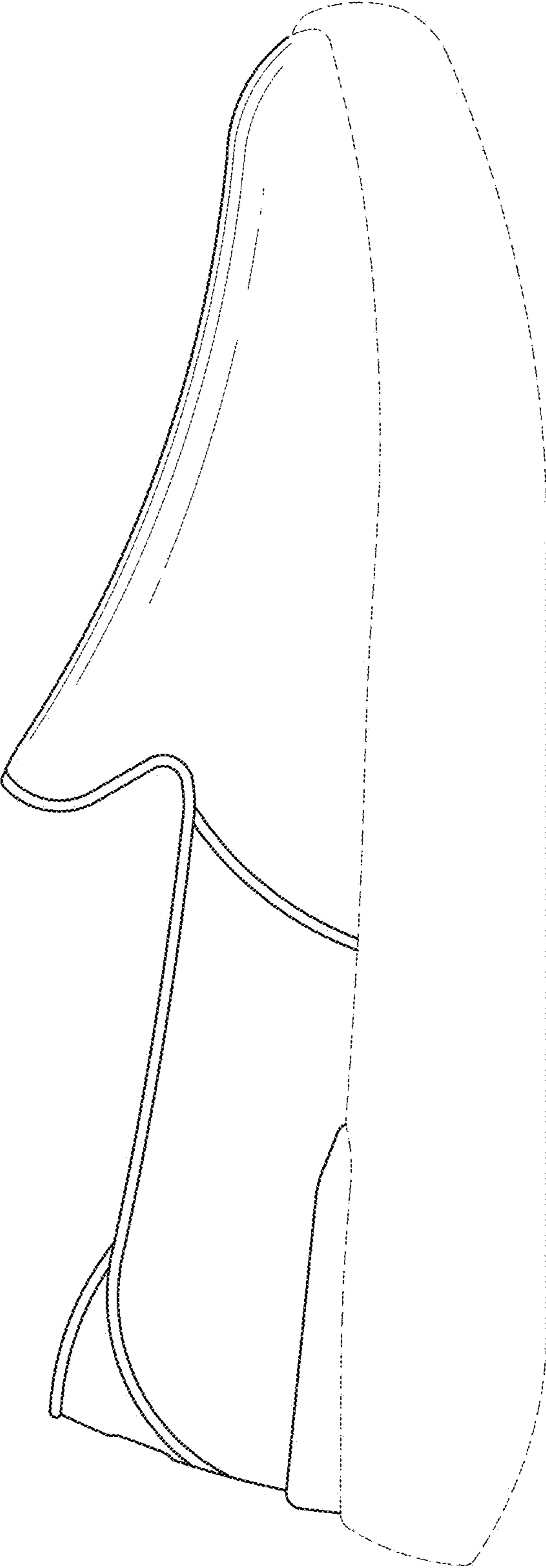


FIG. 2



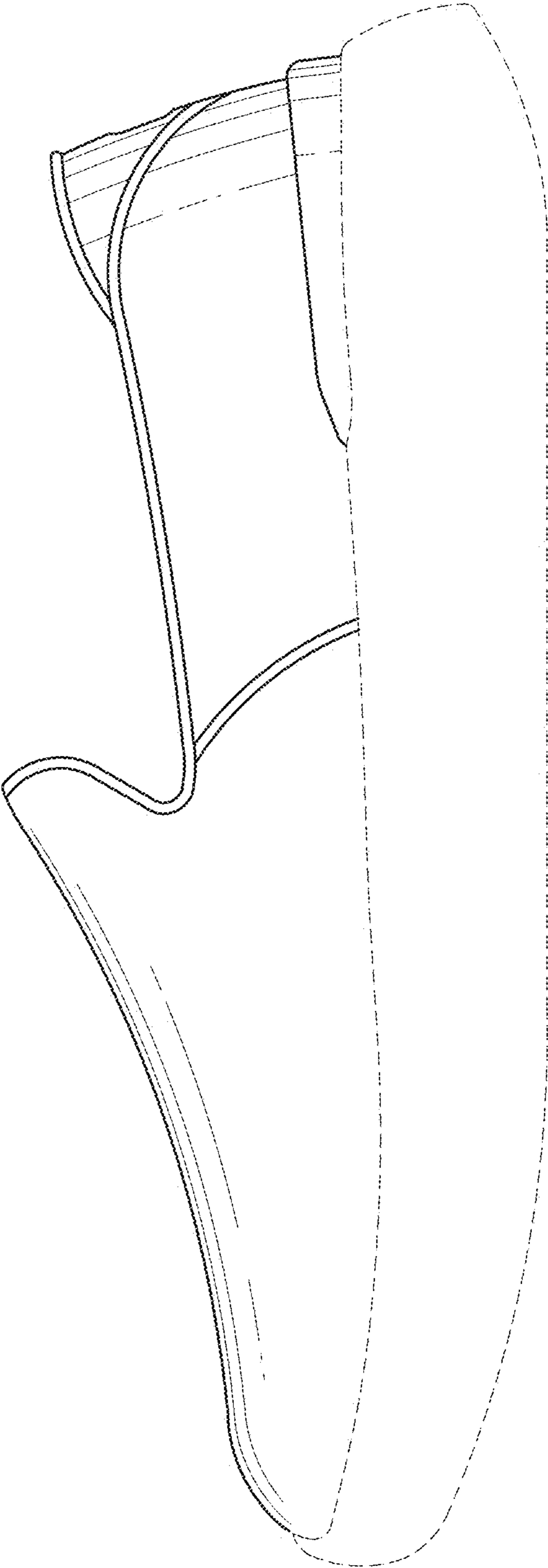


FIG. 3

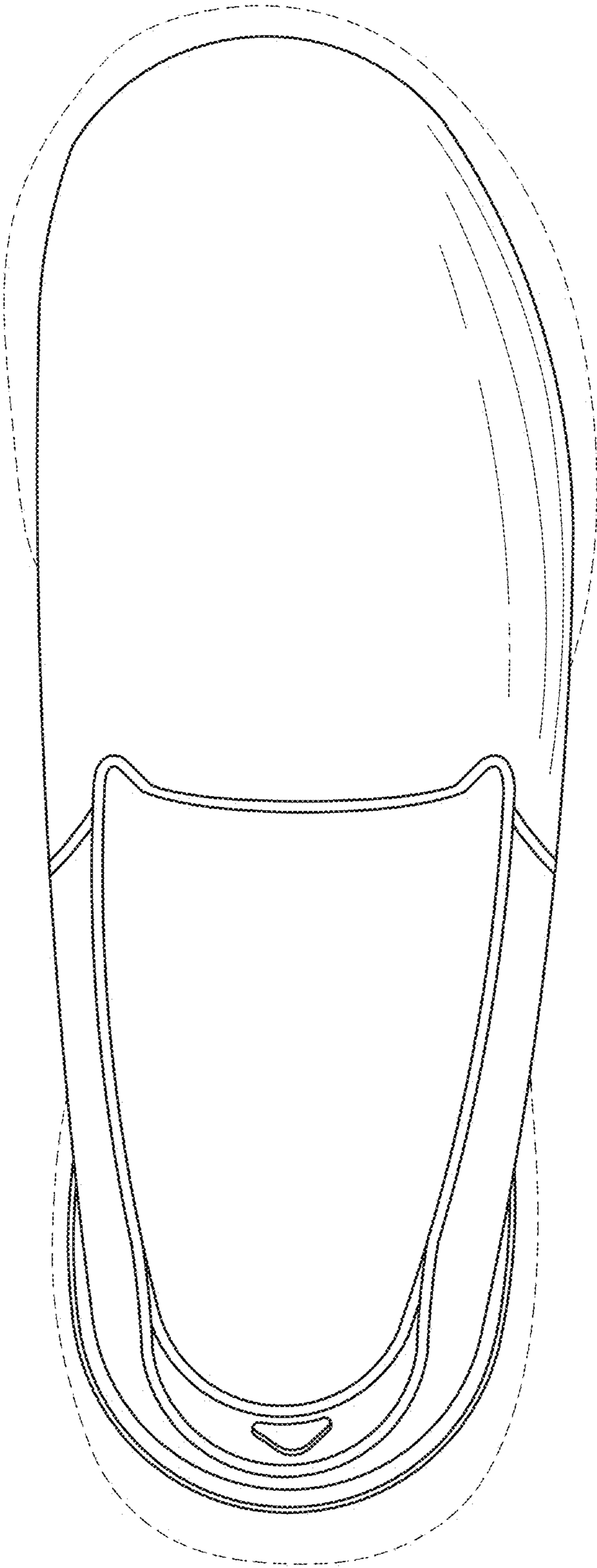


FIG. 4

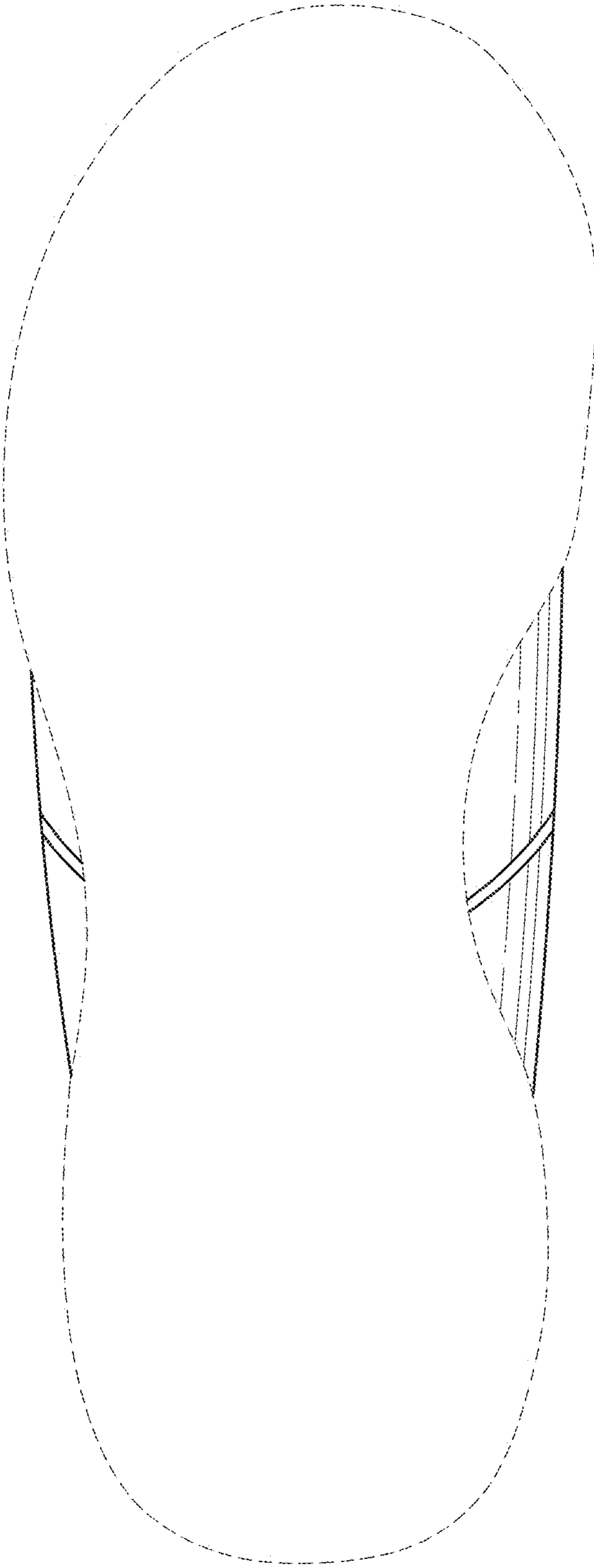


FIG. 5

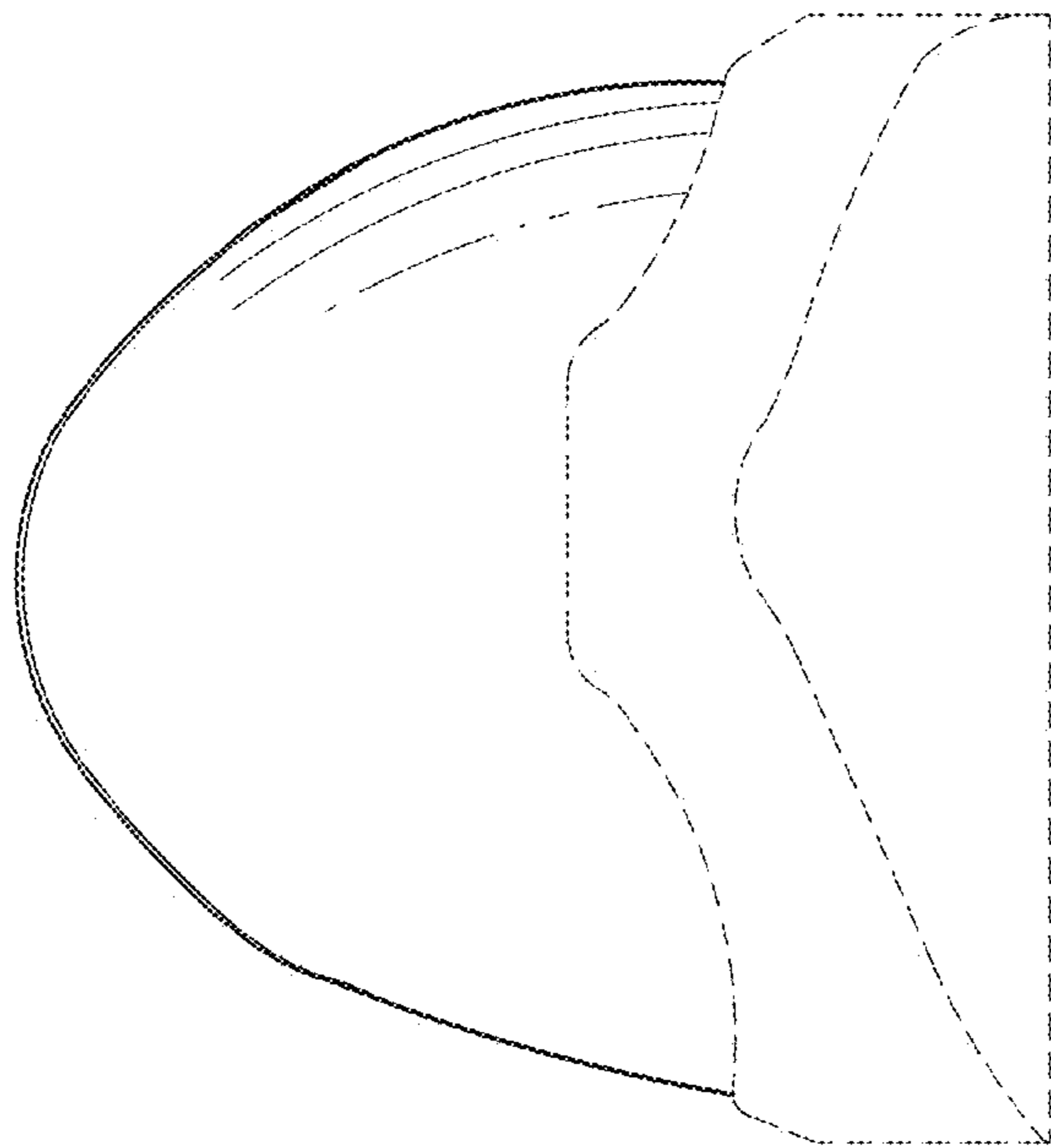


FIG. 7

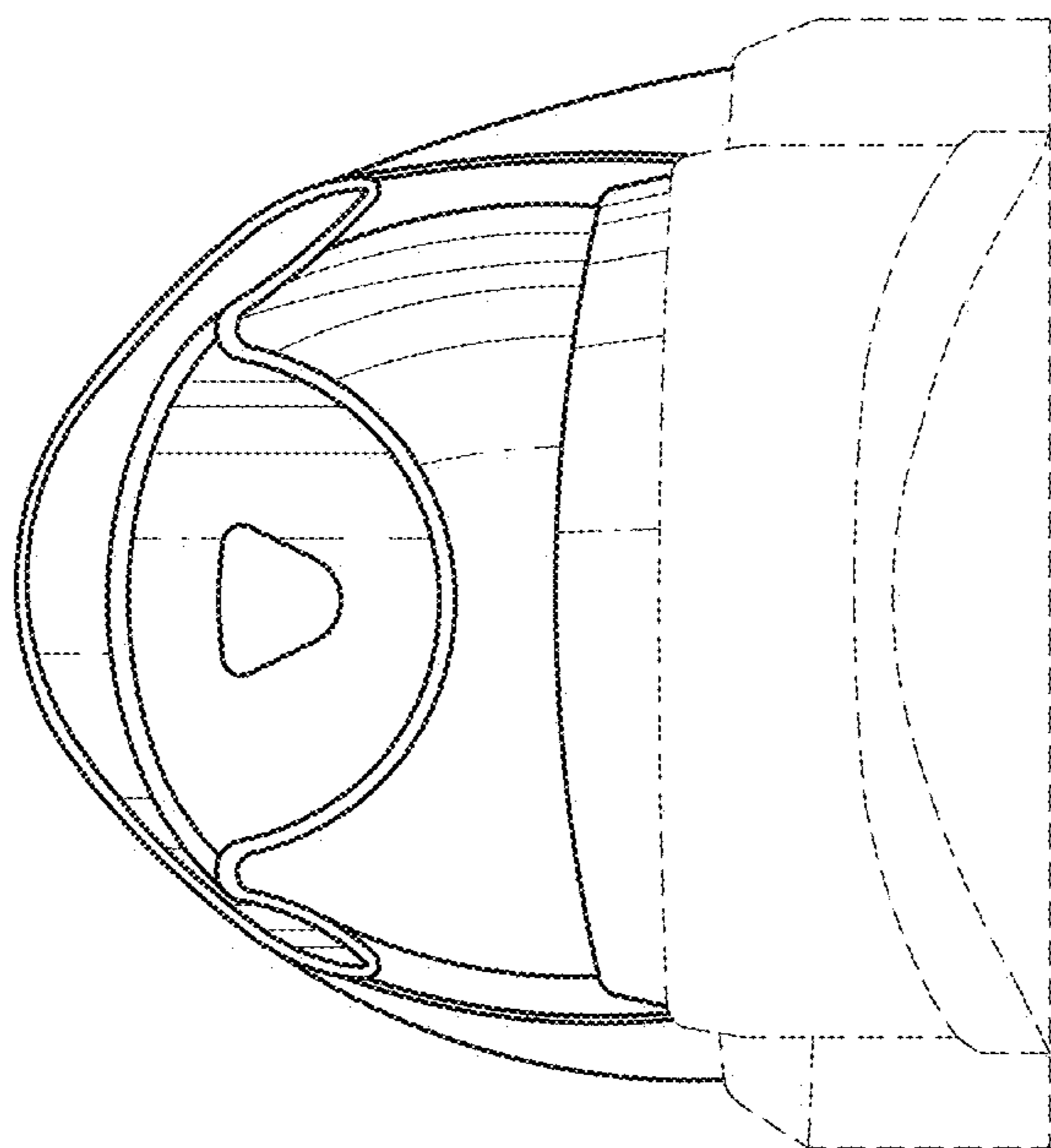


FIG. 6

FIG. 8

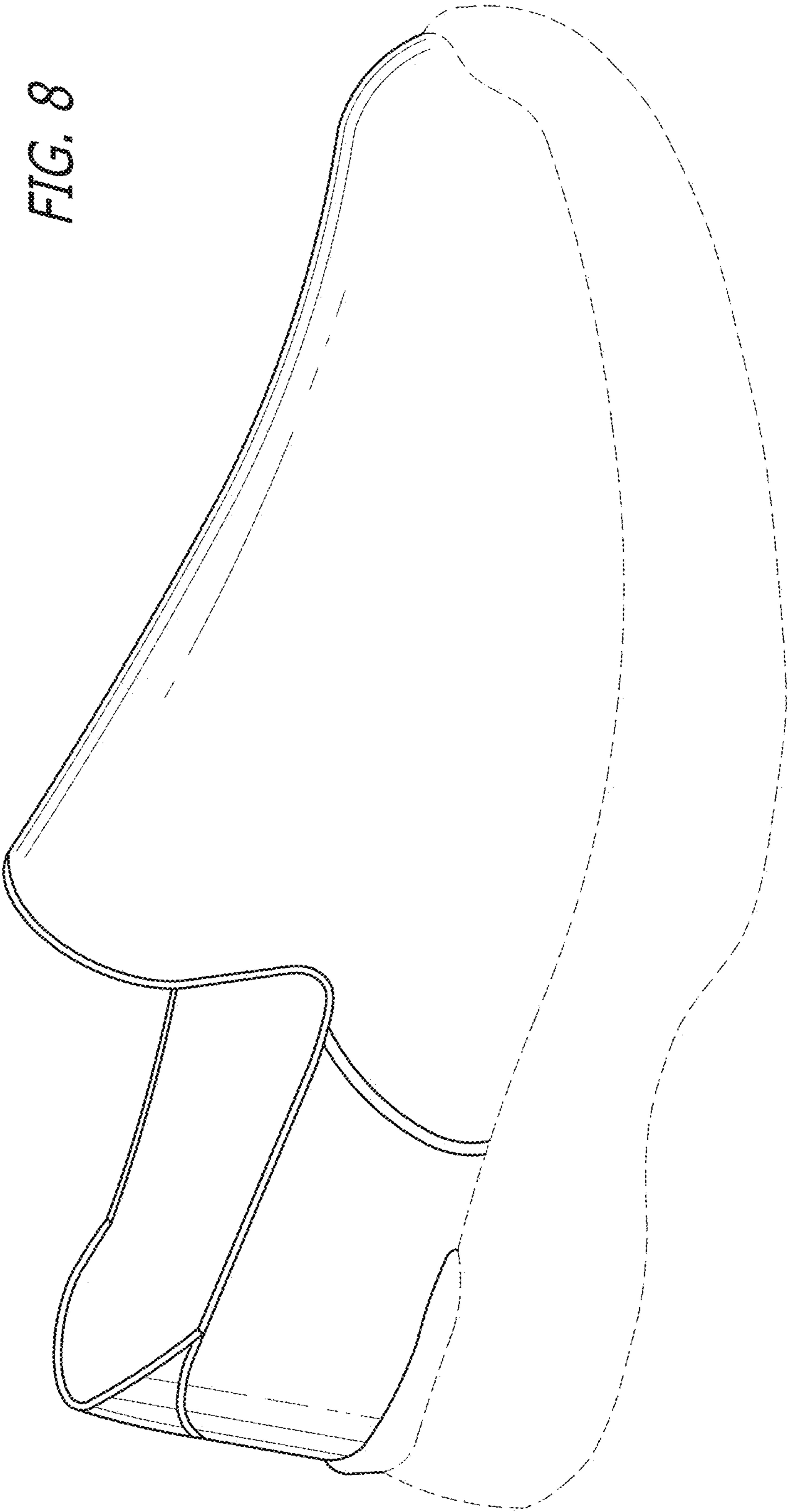
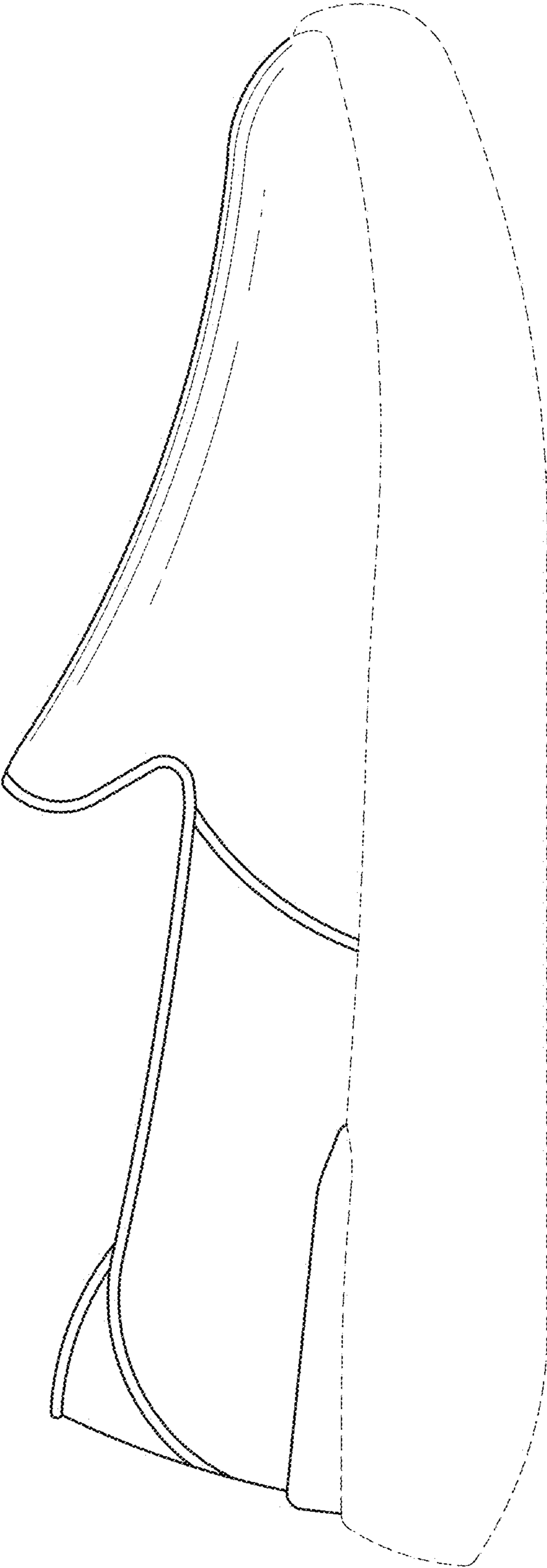


FIG. 9



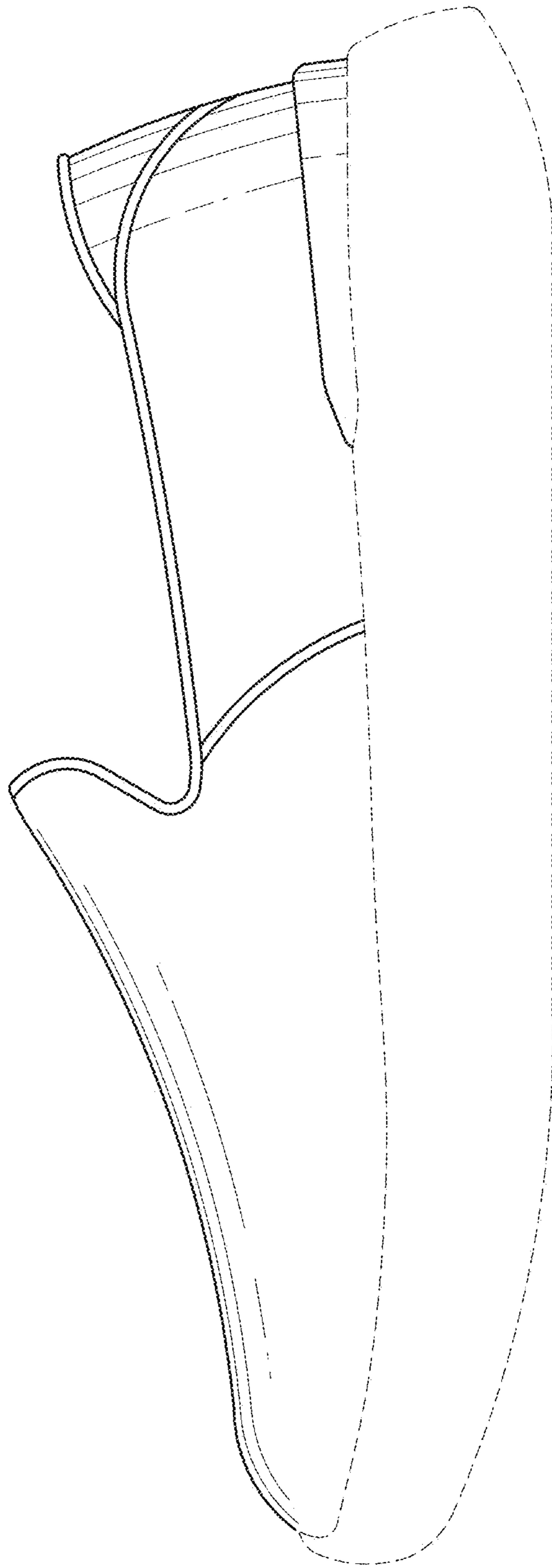


FIG. 10

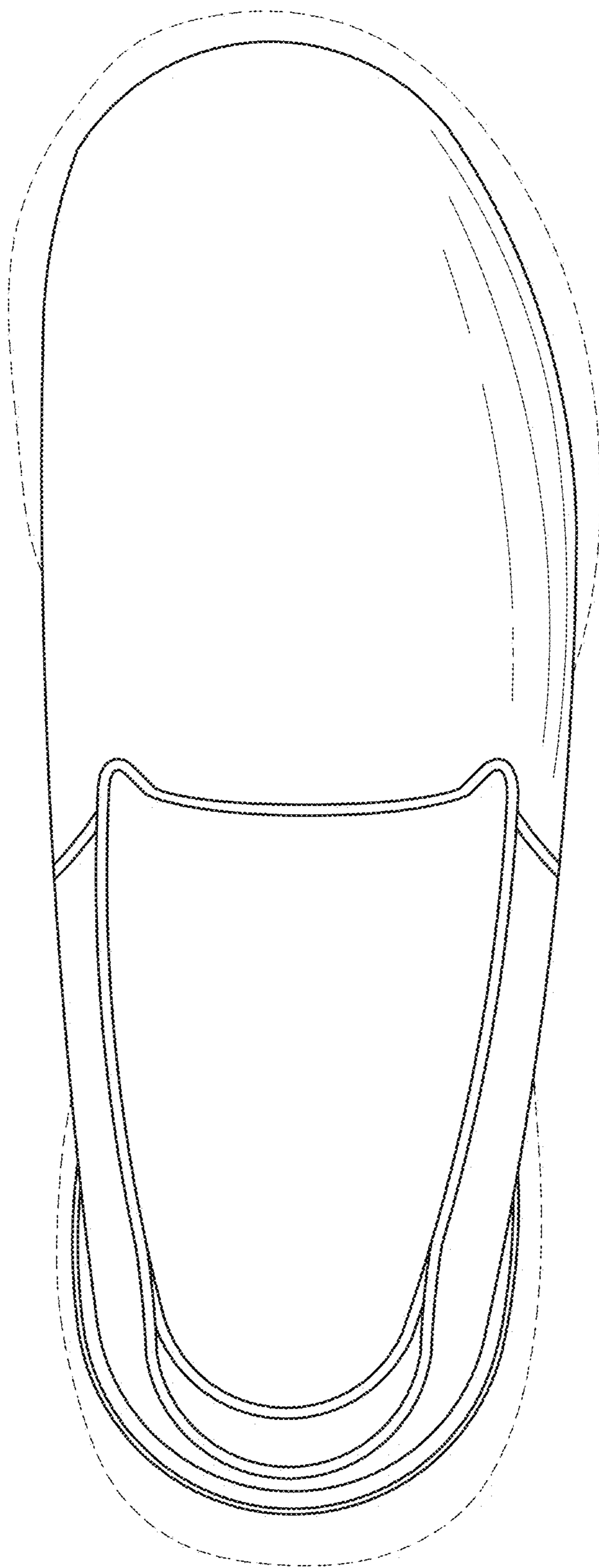


FIG. 11

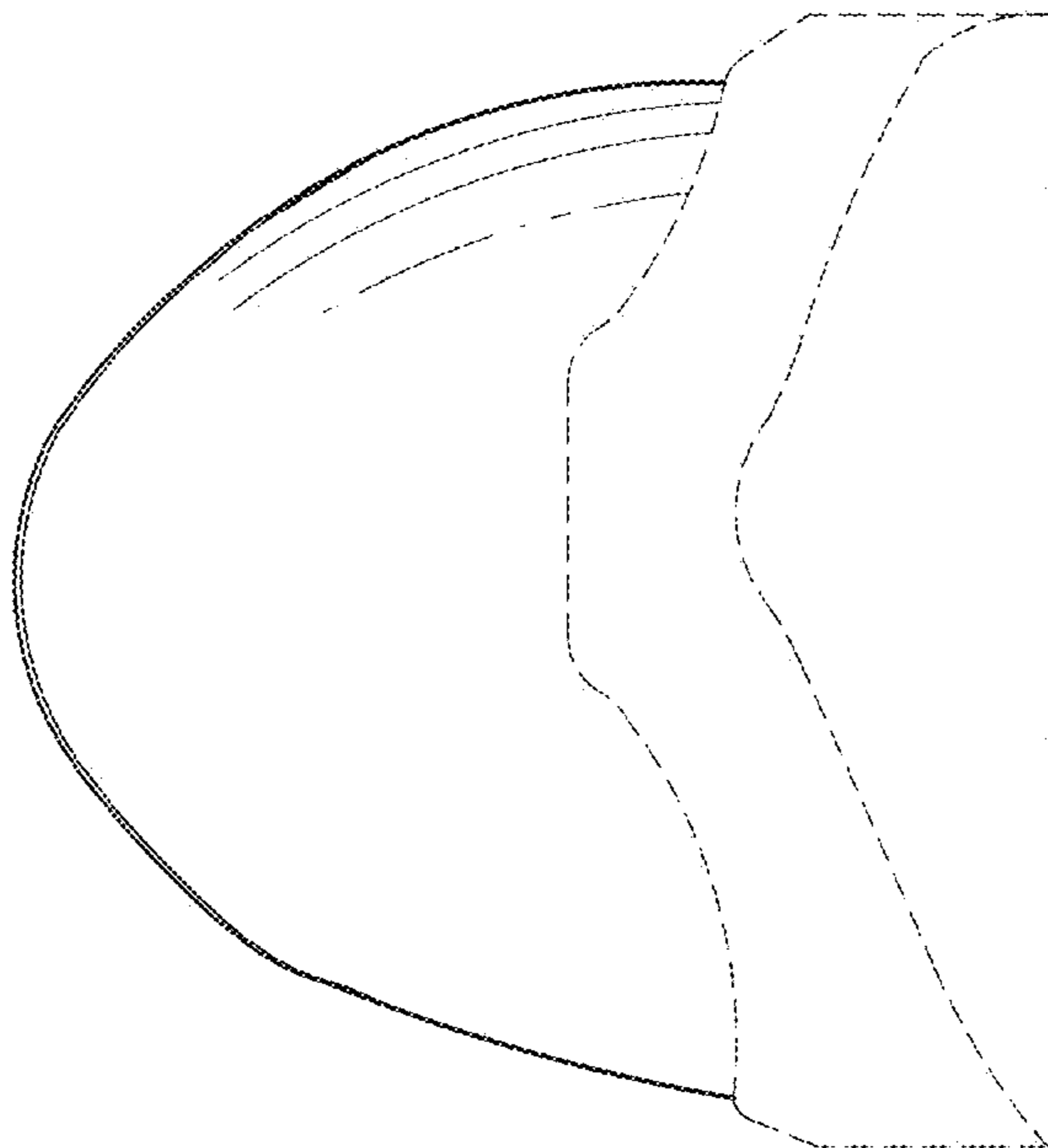


FIG. 13

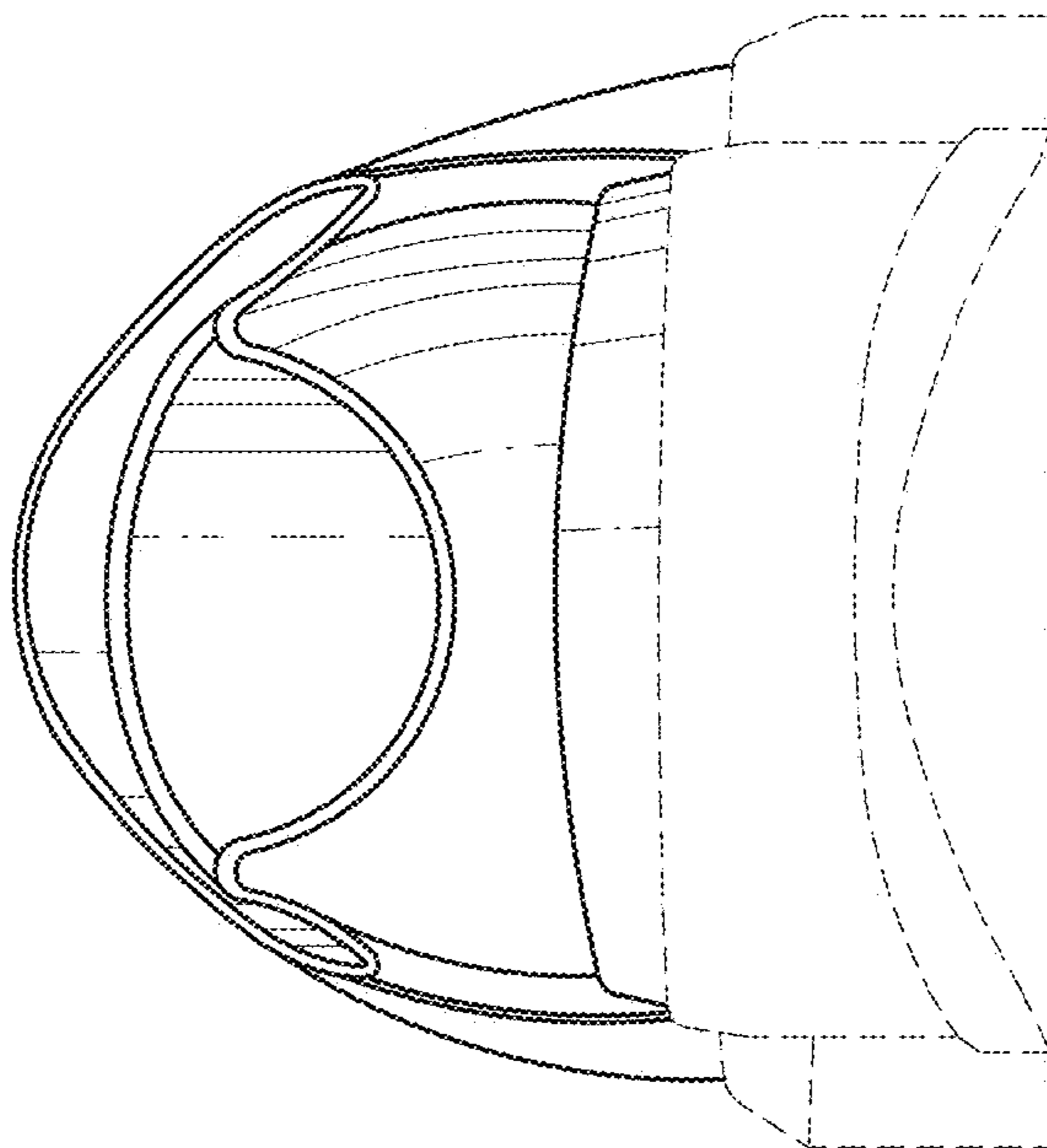


FIG. 12