



US00D745255S

(12) **United States Design Patent**
Boynton

(10) **Patent No.:** **US D745,255 S**

(45) **Date of Patent:** **** Dec. 15, 2015**

(54) **SHOOTING GARMENT**

(71) Applicant: **Deborah B. Boynton**, Plant City, FL
(US)

(72) Inventor: **Deborah B. Boynton**, Plant City, FL
(US)

(**) Term: **14 Years**

(21) Appl. No.: **29/512,351**

(22) Filed: **Dec. 18, 2014**

(51) **LOC (10) Cl.** **02-02**

(52) **U.S. Cl.**
USPC **D2/856**; D2/841

(58) **Field of Classification Search**
USPC D2/820, 828–836, 860–864, 840, 841,
D2/856

CPC .. A41D 13/015; A41D 13/05; A41D 13/0512
See application file for complete search history.

(56) **References Cited**

U.S. PATENT DOCUMENTS

- 4,353,133 A * 10/1982 Williams A41D 13/0151
2/268
- 4,493,115 A * 1/1985 Maier A41D 13/0151
2/268
- 4,669,125 A * 6/1987 Allen A41D 13/0151
2/252
- D522,214 S * 6/2006 Noell D2/836
- 7,191,470 B2 * 3/2007 Benini A41D 13/0151
2/69
- 7,748,056 B2 * 7/2010 Mickle A41D 13/0512
2/115
- 7,765,609 B2 * 8/2010 Chase A41D 13/04
2/46
- 7,917,972 B1 * 4/2011 Krueger A41D 13/0151
2/459
- 8,056,778 B1 * 11/2011 Michaux F41C 33/001

- D674,576 S * 1/2013 Johnson D2/840
- 8,813,408 B1 * 8/2014 Knight, Sr. F41C 27/00
224/149
- 8,973,163 B1 * 3/2015 Kuever A41D 1/205
2/46
- 8,997,267 B2 * 4/2015 Skottheim A41D 13/0153
2/102

* cited by examiner

Primary Examiner — Susan Bennett Hattan

Assistant Examiner — Charles Hanson

(74) *Attorney, Agent, or Firm* — Allen, Dyer, Doppelt,
Milbrath & Gilchrist, P.A.

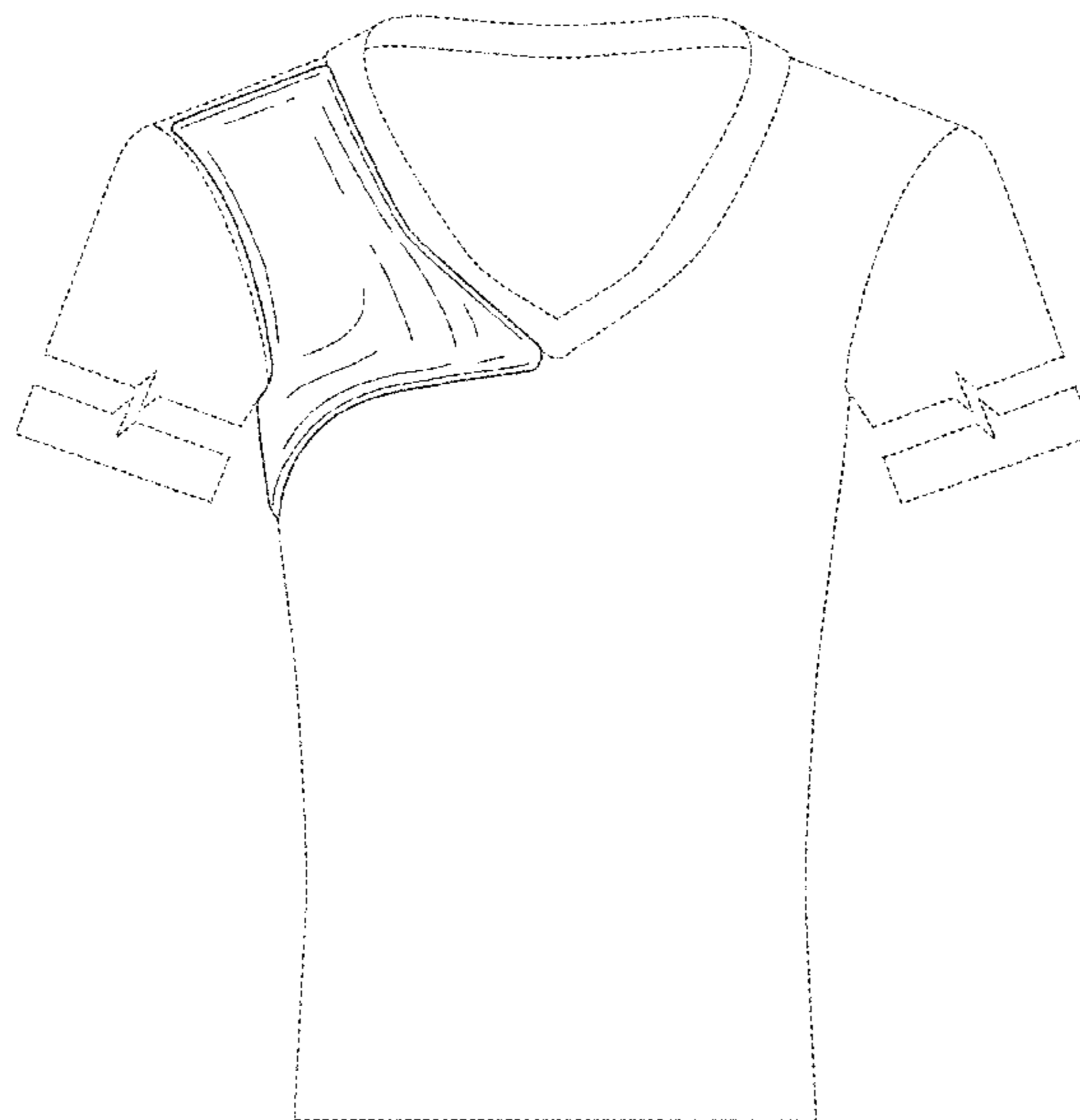
(57) **CLAIM**

The ornamental design for a shooting garment, as shown and described.

DESCRIPTION

FIG. 1 is a front view thereof;
 FIG. 2 is a left side view thereof;
 FIG. 3 is a right side view thereof;
 FIG. 4 is a left perspective view thereof;
 FIG. 5 is a right perspective view thereof;
 FIG. 6 is a back view thereof;
 FIG. 7 is a front view according to another embodiment;
 FIG. 8 is a left side view according to another embodiment;
 FIG. 9 is a right side view according to another embodiment;
 FIG. 10 is a left perspective view according to another embodiment;
 FIG. 11 is a right perspective view according to another embodiment; and,
 FIG. 12 is a back view according to another embodiment.
 The broken line showing of environmental structures is for illustrative purposes only and forms no part of the claimed design.

1 Claim, 12 Drawing Sheets



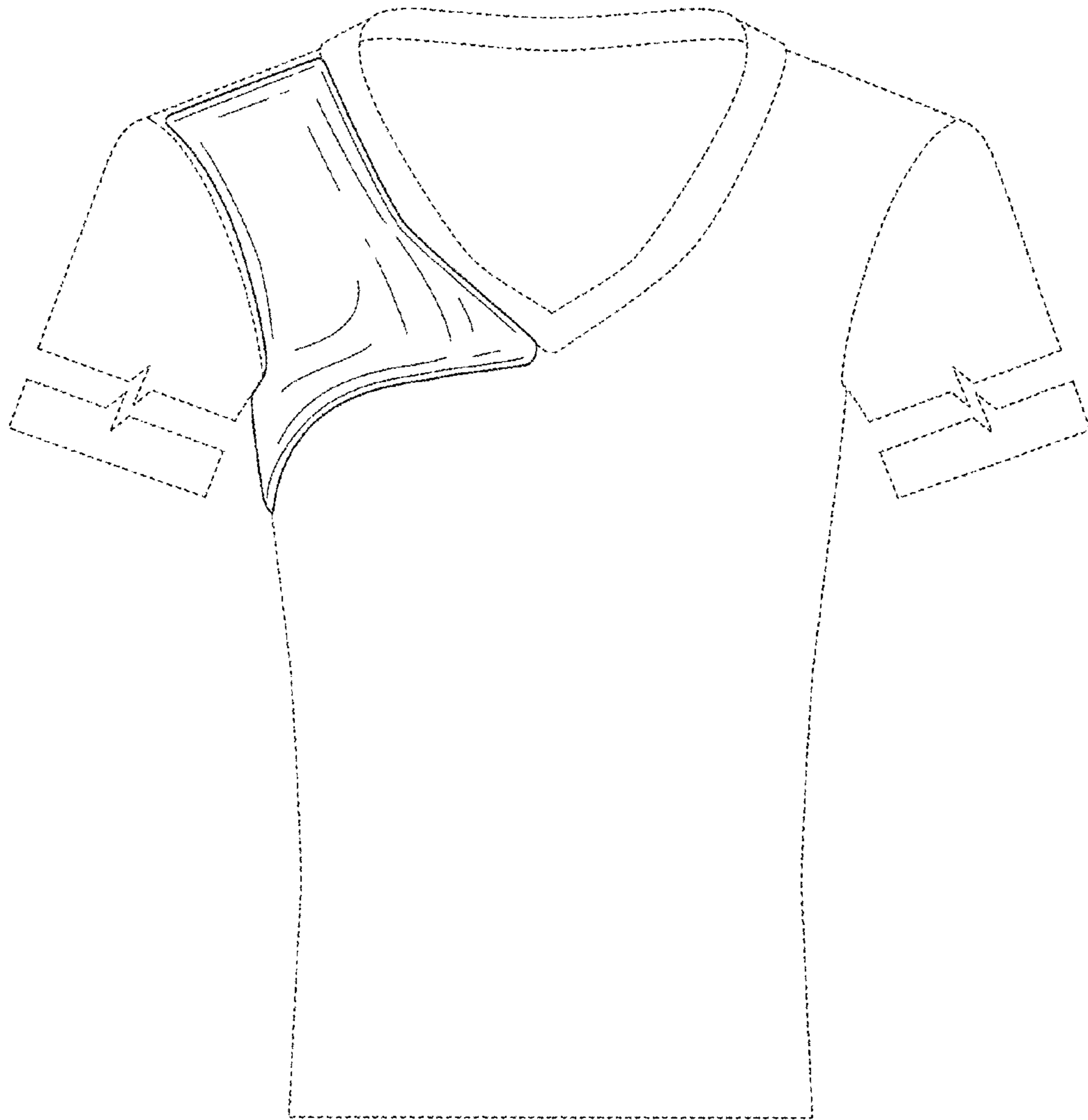


FIG. 1

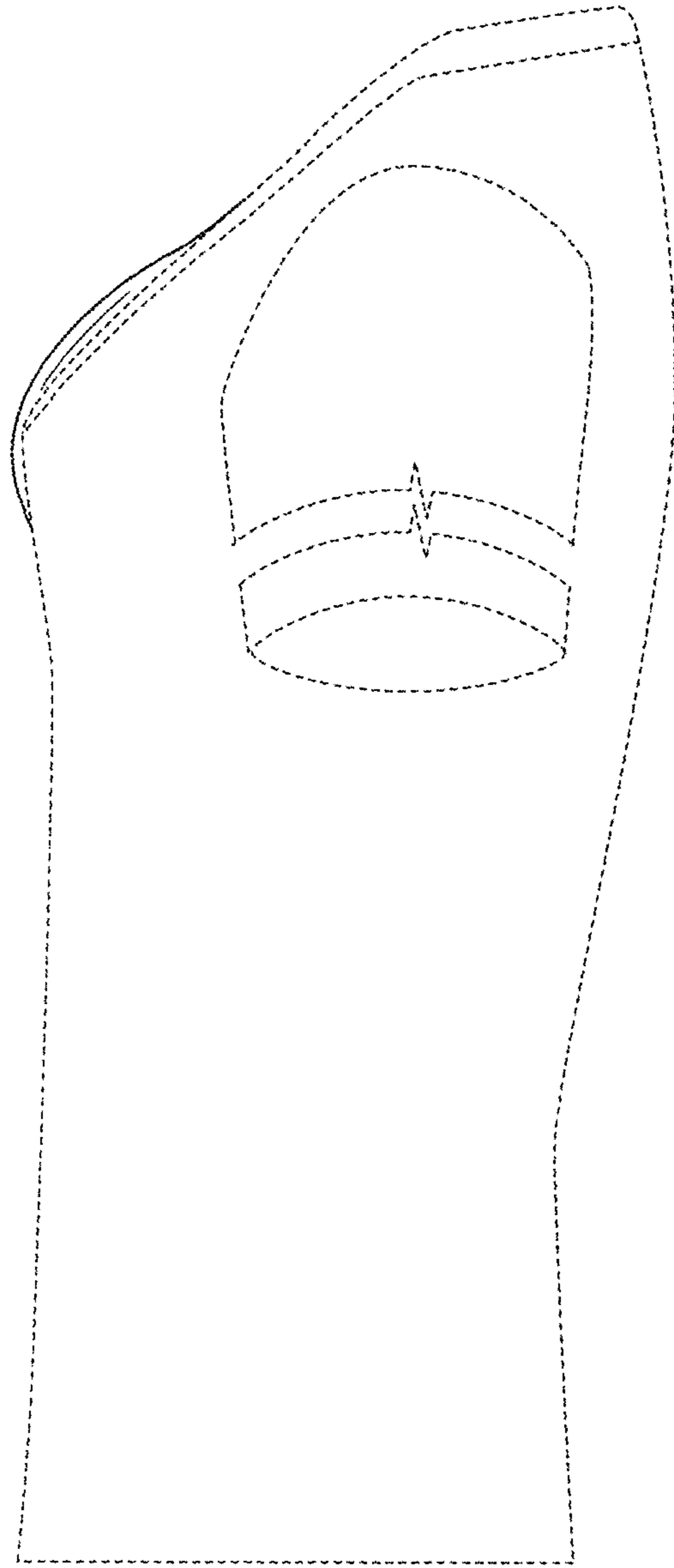


FIG. 2

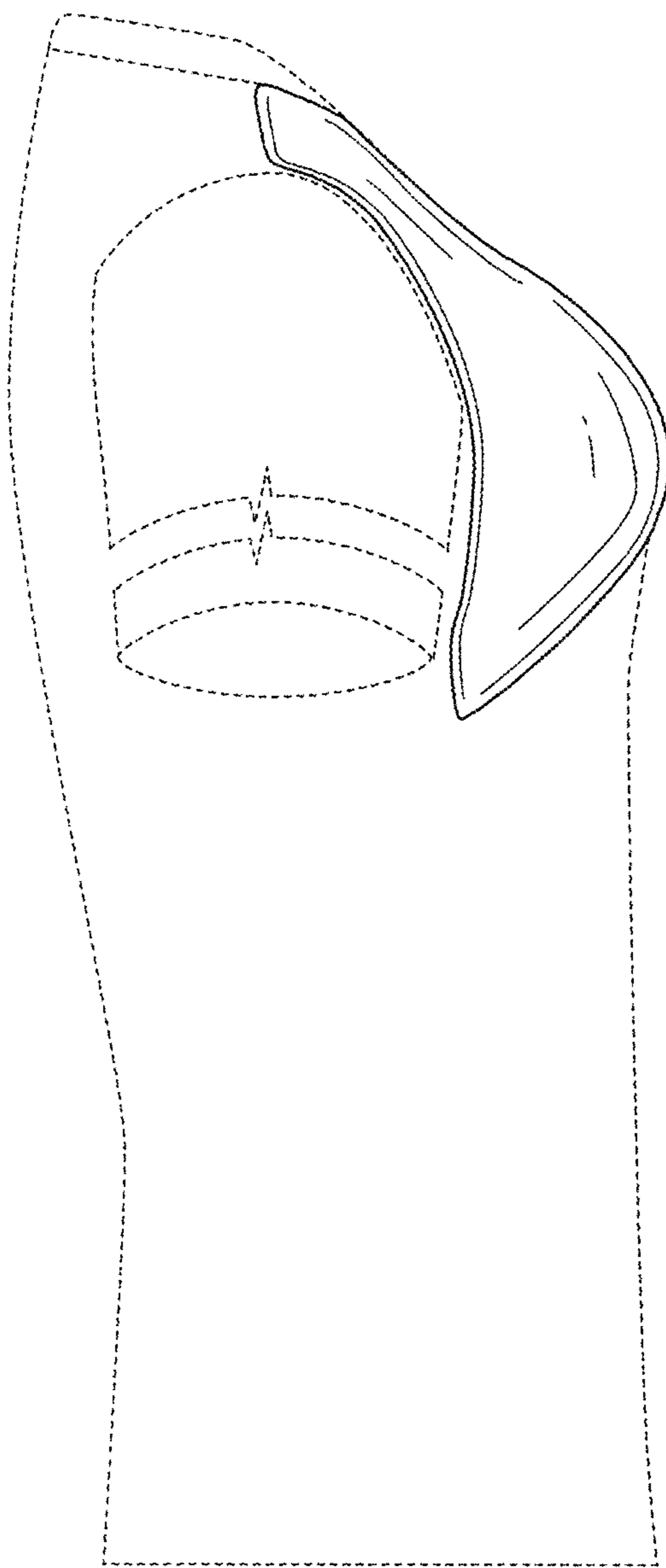


FIG. 3

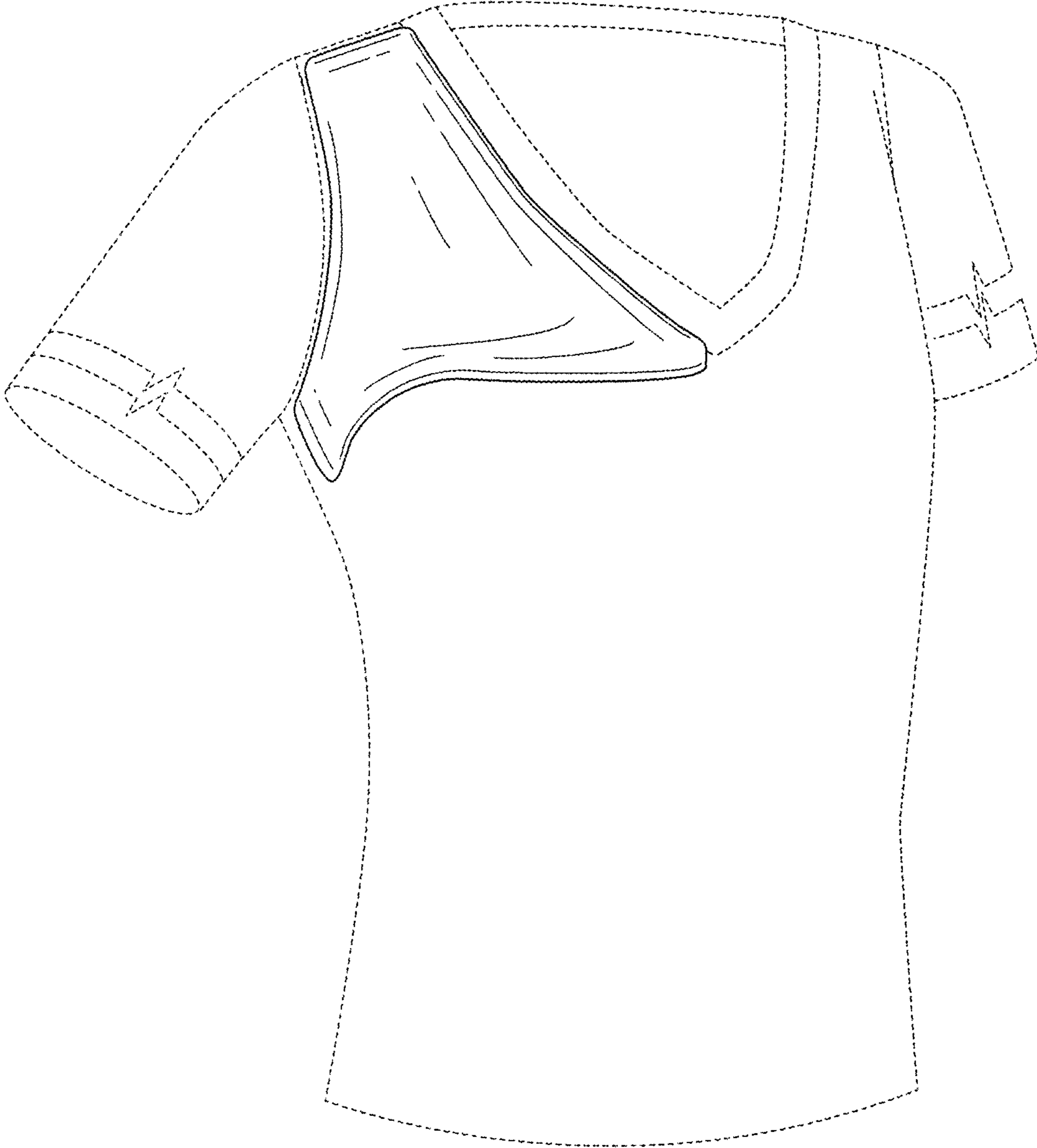


FIG. 4

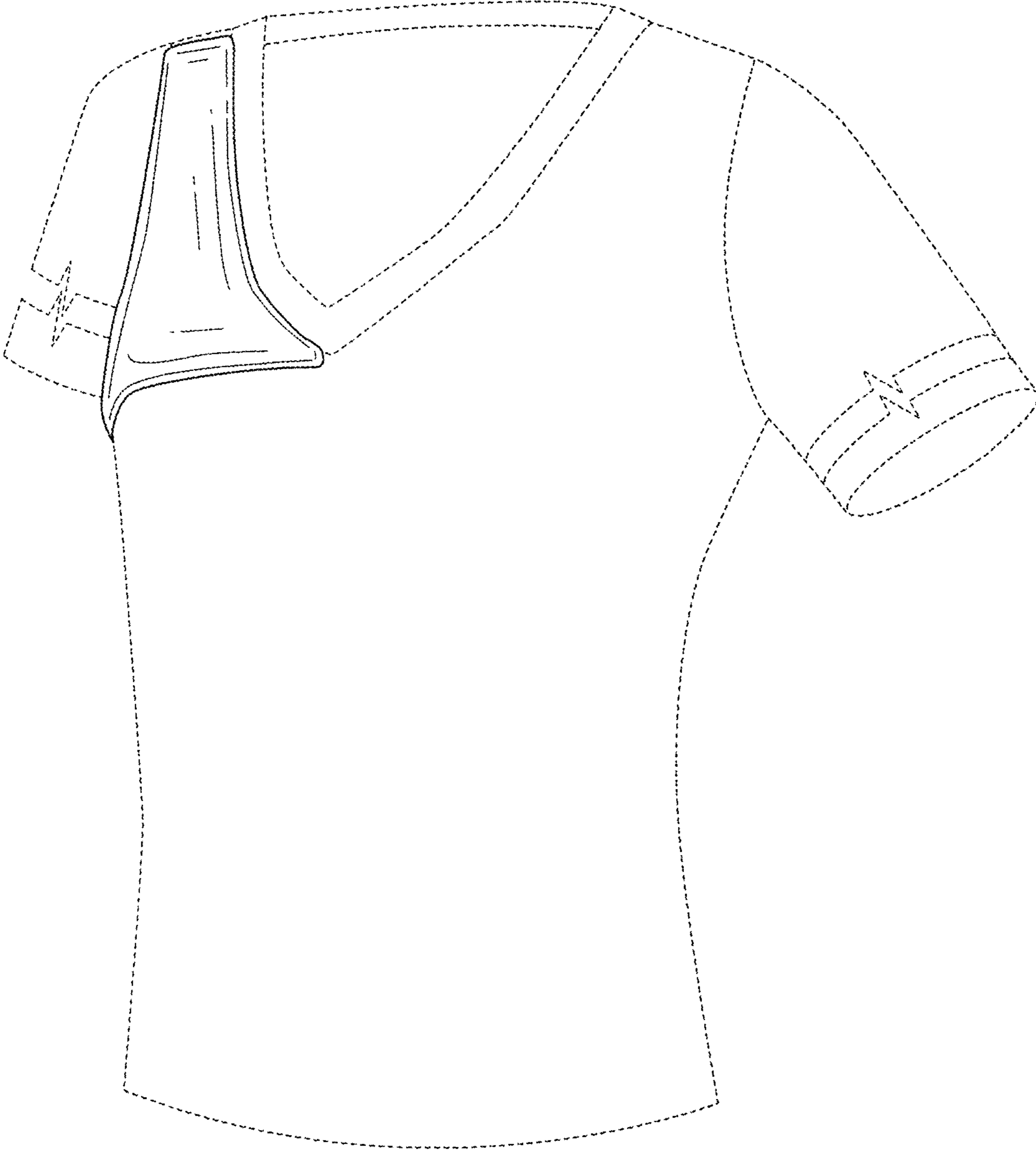


FIG. 5

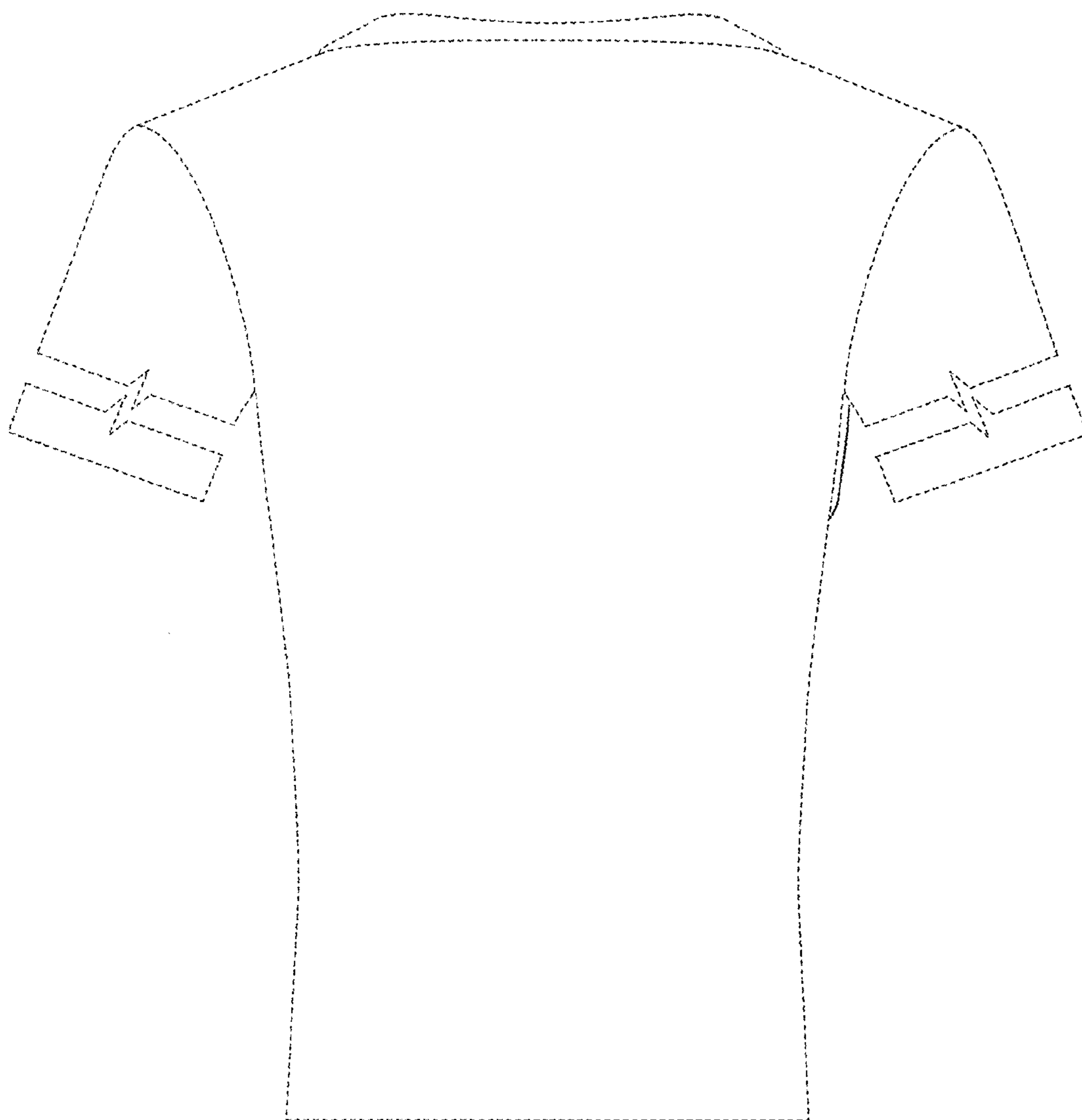


FIG. 6

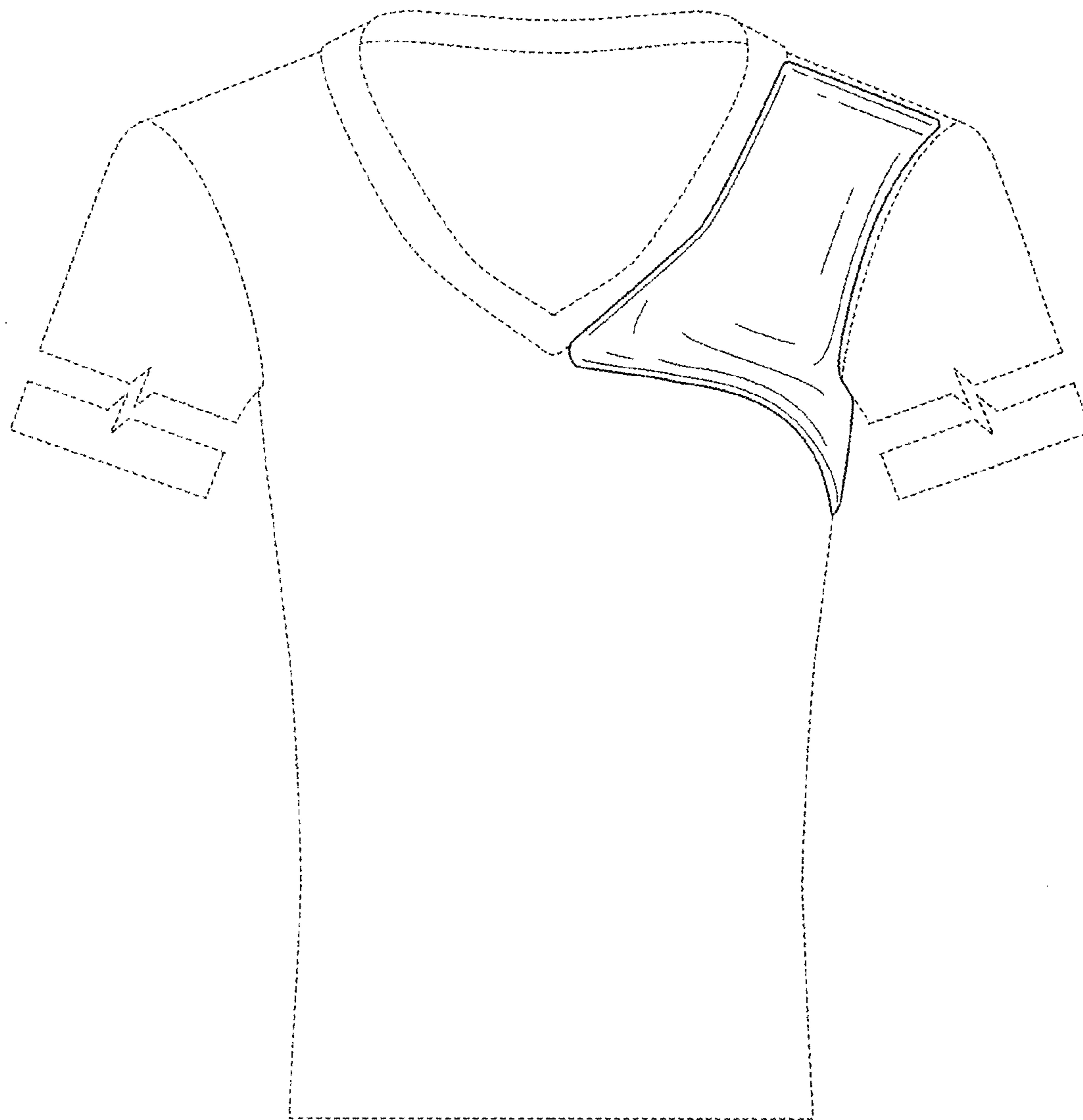


FIG. 7

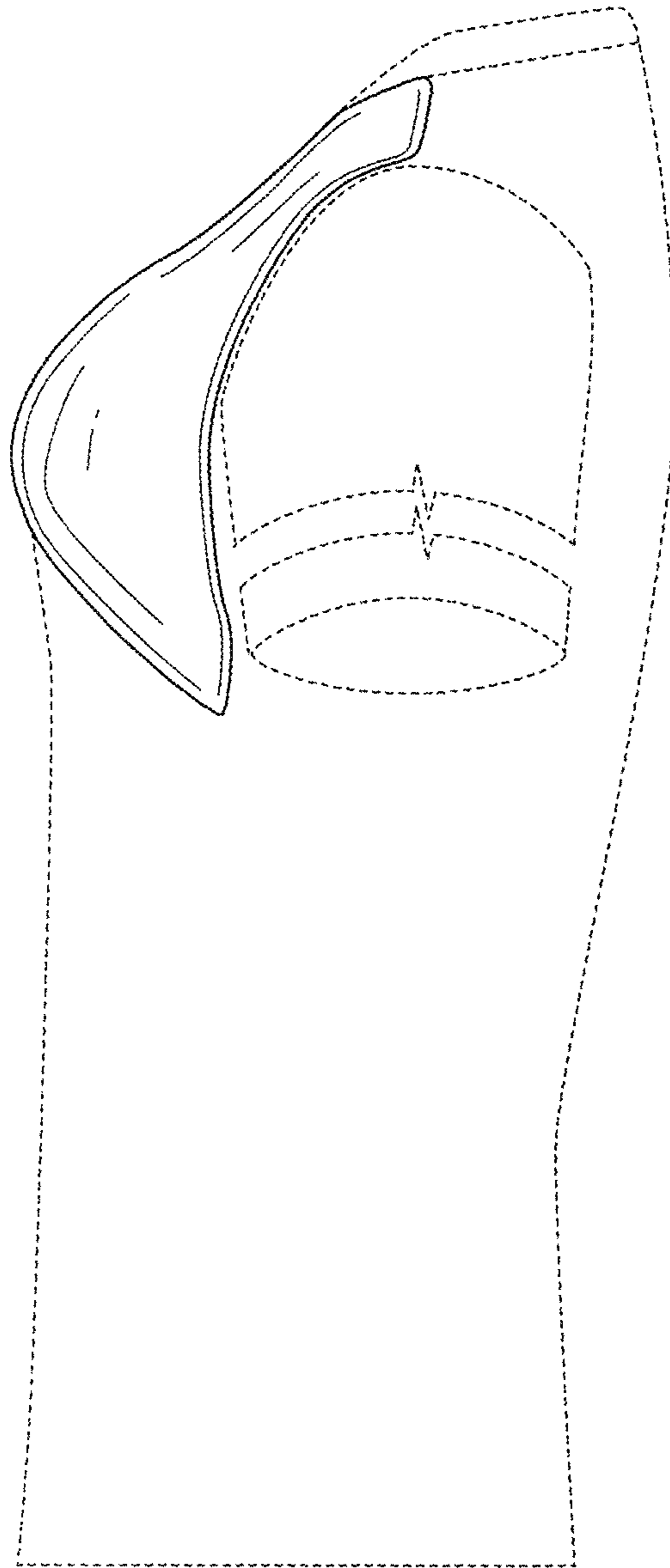


FIG. 8

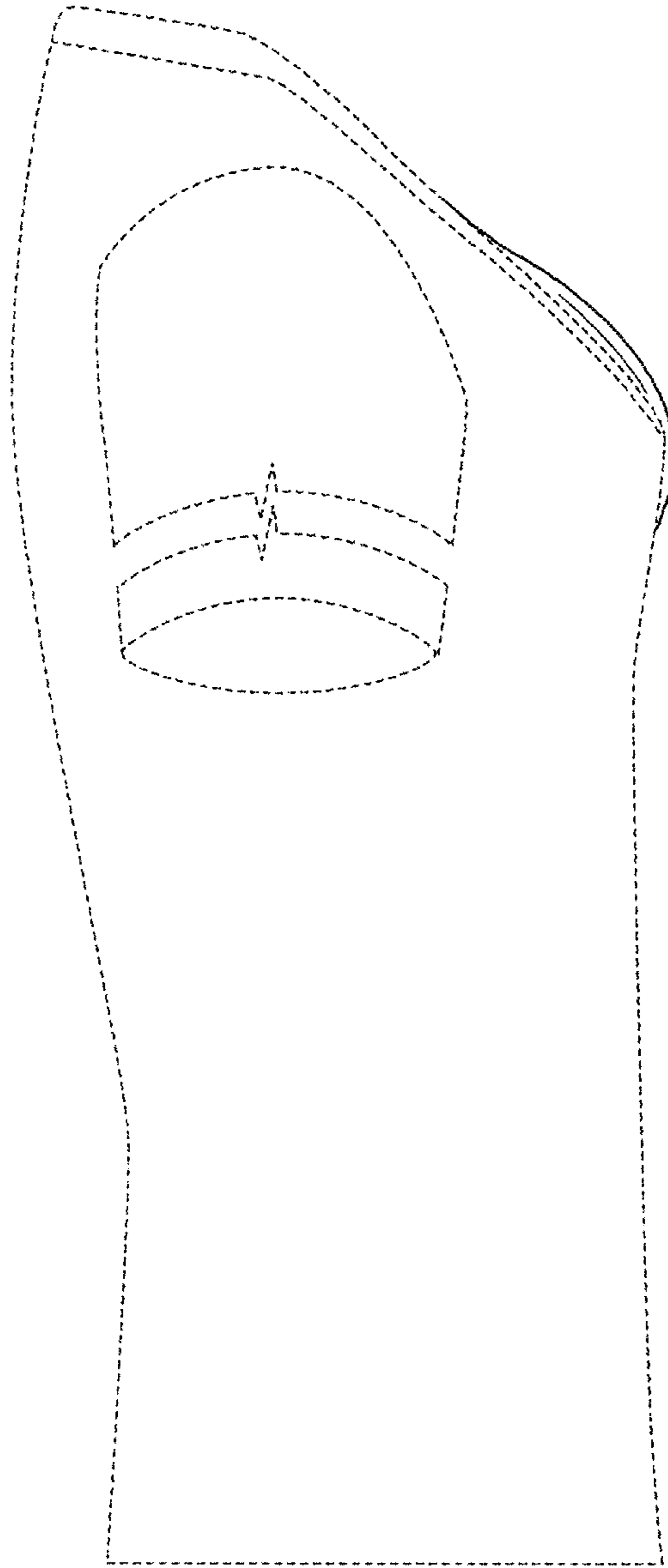


FIG. 9

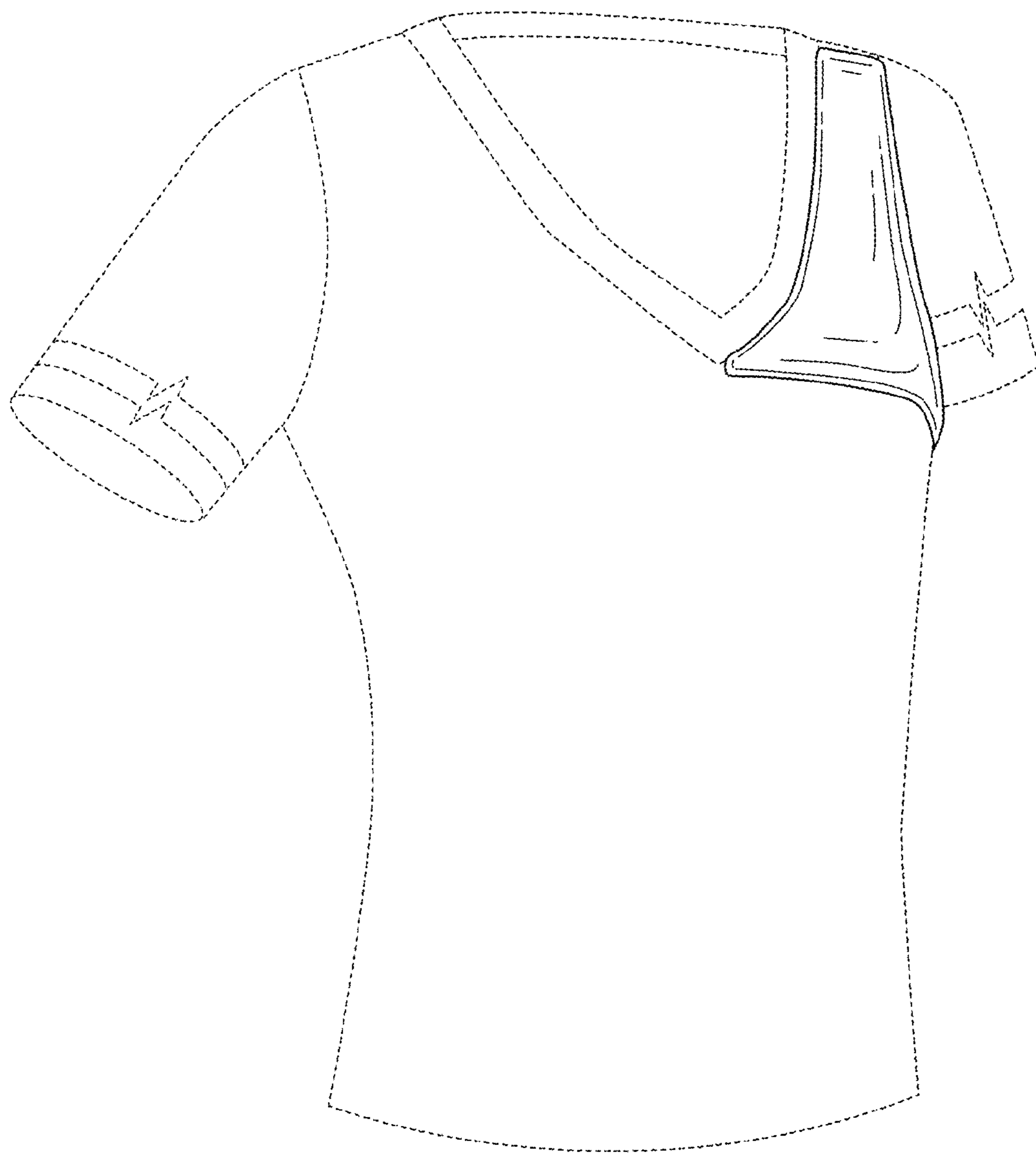


FIG. 10

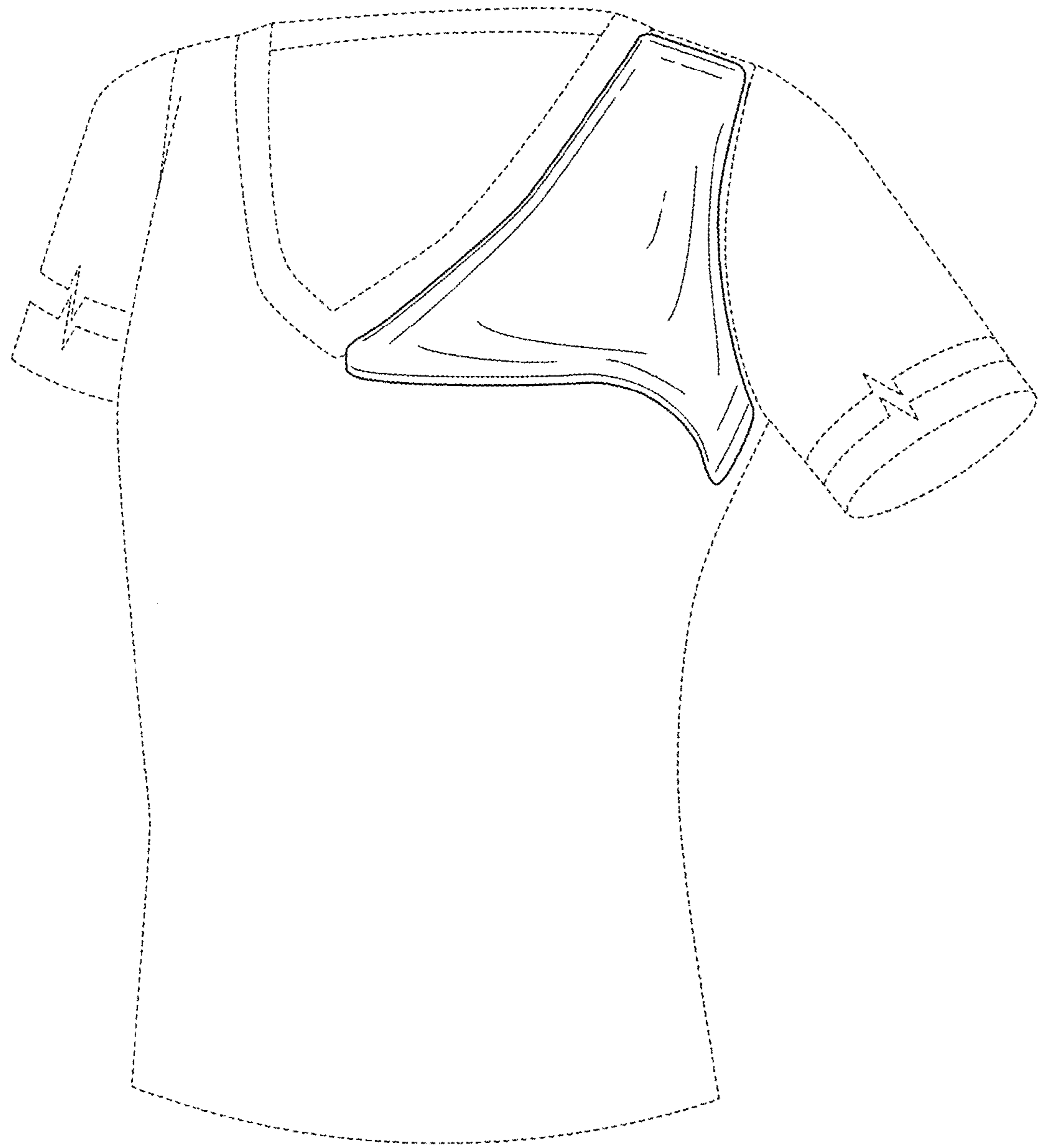


FIG. 11

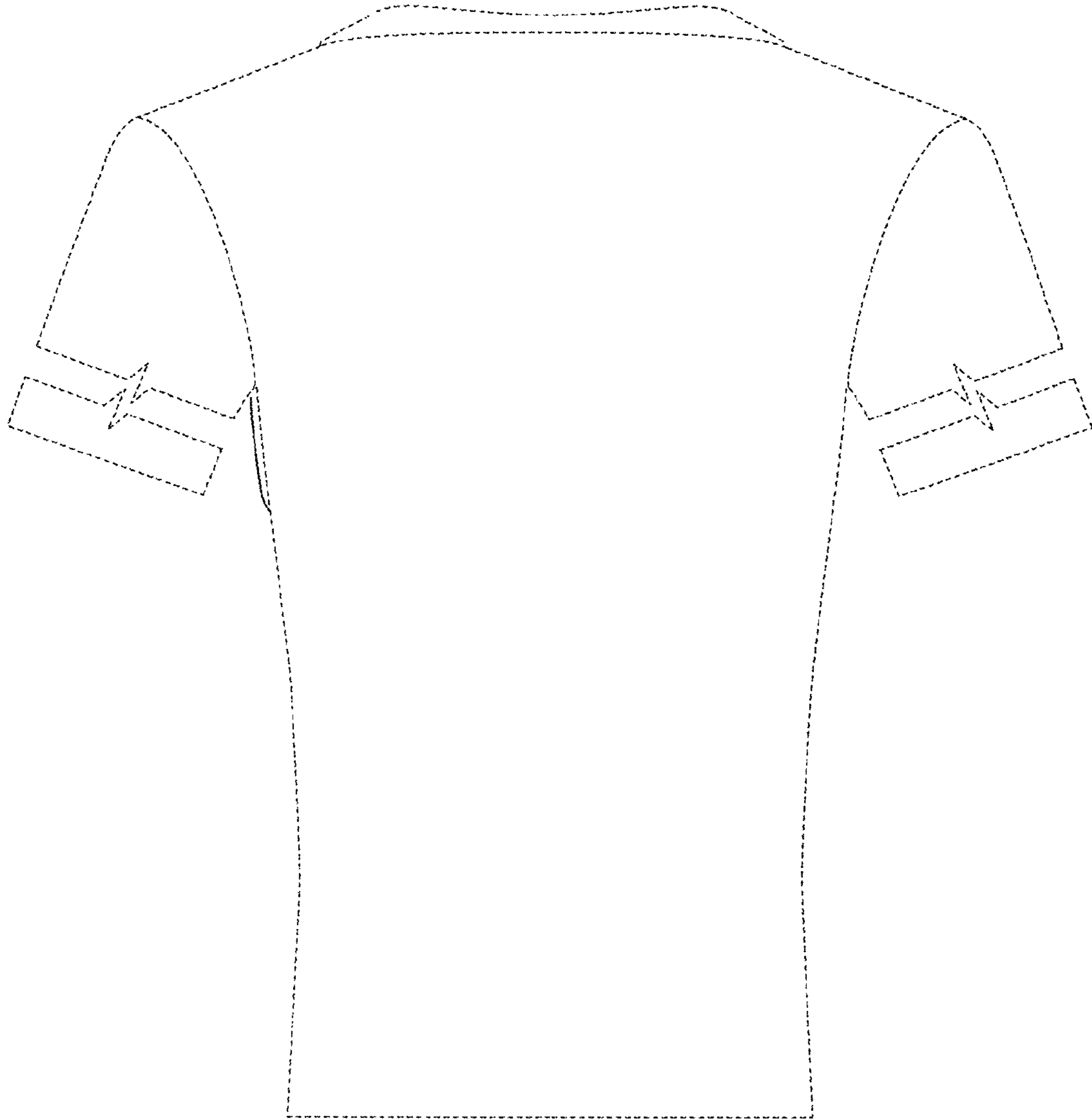


FIG. 12